

 **BOEING**
COMPONENT
MAINTENANCE MANUAL

TO: ALL HOLDERS OF OUTBOARD TRAILING EDGE FLAP ASSEMBLY COMPONENT MAINTENANCE
MANUAL 57-53-51

REVISION NO. 12 DATED NOV 01/05

HIGHLIGHTS

Pages which have been added or revised are outlined below together with the highlights of the revision. Remove and insert the affected pages as listed and enter Revision No. and date on the Record of Revision Sheet.

CHAPTER/SECTION

AND PAGE NO.

DESCRIPTION OF CHANGE

TITLE PAGE

Updated IPL to show new top assemblies 113T1300-85,
-86.

1

TR & SB RECORD

1

REPAIR 3-1

601,603

1037,1040C,1044V-1046F,
1046H-1046Z,1048B,1048D,
1048F-1048G,1048K-1048L,
1050D,1050H,1050R,1050W,
1052E-1052H

57-53-51

HIGHLIGHTS

01.1

Page 1

Nov 01/05

OUTBOARD TRAILING EDGE FLAP ASSEMBLY

PART NUMBERS 113T3100-1SP THRU -4SP,-41,-42,
-59SP,-60SP,-61 THRU -64,
-69SP,-70SP,-73SP,-74SP,
-75 THRU -78,-79SP,-80SP,
-81 THRU -90,-91SP THRU
-96SP,-97G,-98G,-98H,
-99G THRU -100G,-100H,
-101G,-102G,-401G,-402G,
-451G,-452G

COMPONENT MAINTENANCE MANUAL
WITH
ILLUSTRATED PARTS LIST

57-53-51

TITLE PAGE

Page 1

Nov 01/05

01.1



REVISION RECORD

- Retain this record in front of manual. On receipt of revision, insert revised pages in the manual, and enter revision number, date inserted and initial.

REVISION NUMBER	REVISION DATE	DATE FILED	BY	REVISION NUMBER	REVISION DATE	DATE FILED	BY



TEMPORARY REVISION AND SERVICE BULLETIN RECORD

BOEING SERVICE BULLETIN	BOEING TEMPORARY REVISION	OTHER DIRECTIVE	DATE OF INCORPORATION INTO MANUAL
57-0013		PRR B10148 MC B1111-001 PRR B11348 PRR B11382 PRR B11528 PRR B11528-2 PRR B11528-3 PRR B11382-3	APR 10/84 APR 10/84 JUL 10/85 JUL 10/85 JUL 10/87 JUL 10/87 JUL 10/87 JUL 01/88
27-0080R1		MC 0220MK6016 MC 1110MP6141 PRR B13100-2 PRR B12900-174	APR 01/92 SEP 01/96 NOV 01/99 NOV 01/99
767-57-0061	57-3 57-5	PRR B12900-100 PRR B13063-52	JUL 01/00 JUL 01/01 NOV 01/04 NOV 01/05

57-53-51

TR & SB RECORD

01.1

Page 1

Nov 01/05


BOEING
 COMPONENT
 MAINTENANCE MANUAL

PAGE	DATE	CODE	PAGE	DATE	CODE
57-53-51			CHECK		
TITLE PAGE			504	BLANK	CONT.
*1	NOV 01/05	01.1	REPAIR-GENERAL		
2	BLANK		601	JUL 01/01	01.1
REVISION RECORD			602	SEP 01/96	01.1
1	APR 10/84	01	603	SEP 01/96	01.1
2	BLANK		604	BLANK	
TR & SB RECORD			REPAIR 1-1		
*1	NOV 01/05	01.1	601	NOV 01/04	01.1
2	BLANK		602	NOV 01/04	01.1
LIST OF EFFECTIVE PAGES			603	NOV 01/04	01.1
*1	NOV 01/05	01	604	NOV 01/04	01.1
THRU LAST PAGE			605	NOV 01/04	01.1
CONTENTS			606	BLANK	
1	JUL 01/01	01.1	REPAIR 1-2		
2	BLANK		601	NOV 01/04	01.1
INTRODUCTION			602	NOV 01/99	01.1
1	JUL 10/87	01.1	603	NOV 01/99	01.1
2	BLANK		604	NOV 01/99	01.1
DESCRIPTION & OPERATION			605	NOV 01/99	01.1
1	SEP 01/96	01.1	606	BLANK	
2	BLANK		REPAIR 2-1		
DISASSEMBLY			601	JUL 01/01	01.1
301	SEP 01/96	01.1	602	JUL 01/01	01.1
302	BLANK		603	JUL 01/01	01.1
CLEANING			604	JUL 10/85	01.1
401	NOV 01/04	01.1	REPAIR 3-1		
402	BLANK		*601	NOV 01/05	01.1
CHECK			*602	NOV 01/05	01.101
501	NOV 01/04	01.1	*603	NOV 01/05	01.1
502	NOV 01/04	01.101	*604	NOV 01/05	01.101
503	NOV 01/99	01.1	*605	DELETED	01.1

* = REVISED, ADDED OR DELETED

57-53-51

EFFECTIVE PAGES

CONTINUED Page 1

01 Nov 01/05

PAGE	DATE	CODE	PAGE	DATE	CODE
REPAIR 3-1		CONT.	ILLUSTRATED PARTS LIST		CONT.
*606	DELETED		1004	NOV 01/04	01.1
REPAIR 4-1			1005	NOV 01/04	01.1
601	NOV 01/04	01.1	1006	NOV 01/04	01.1
602	NOV 01/99	01.1	1007	NOV 01/04	01.1
603	NOV 01/99	01.1	1008	NOV 01/04	01.1
604	BLANK		1009	NOV 01/04	01.1
REPAIR 4-2			1010	NOV 01/04	01.1
601	NOV 01/99	01.1	1011	NOV 01/04	01.1
602	NOV 01/99	01.1	1012	NOV 01/04	01.1
603	NOV 01/99	01.1	1013	NOV 01/04	01.1
604	NOV 01/99	01.1	1014	NOV 01/04	01.1
REPAIR 5-1			1015	NOV 01/04	01.1
601	NOV 01/04	01.1	1016	NOV 01/04	01.1
602	MAR 01/04	01.101	1017	NOV 01/04	01.1
603	MAR 01/04	01.101	1018	NOV 01/04	01.1
604	MAR 01/04	01.101	1019	NOV 01/04	01.1
605	JUL 01/01	01.1	1020	NOV 01/04	01.1
606	JUL 01/01	01.1	1021	NOV 01/04	01.1
ASSEMBLY			1022	NOV 01/04	01.1
701	NOV 01/04	01.1	1023	NOV 01/04	01.1
702	NOV 01/04	01.1	1024	NOV 01/04	01.1
703	NOV 01/04	01.1	1025	NOV 01/04	01.1
704	NOV 01/04	01.1	1026	NOV 01/04	01.1
FITS AND CLEARANCES			1027	NOV 01/04	01.1
801	JUL 01/01	01.1	1028	NOV 01/04	01.1
802	NOV 01/04	01.1	1029	NOV 01/04	01.1
803	NOV 01/04	01.1	1030	NOV 01/04	01.1
804	NOV 01/04	01.1	1031	NOV 01/04	01.1
SPECIAL TOOLS			1032	NOV 01/04	01.1
901	MAR 01/04	01.1	1033	NOV 01/04	01.1
902	BLANK		1034	NOV 01/04	01.1
ILLUSTRATED PARTS LIST			1035	NOV 01/04	01.1
1001	APR 10/84	01	1036	NOV 01/04	01.1
1002	JUL 10/87	01.1	*1037	NOV 01/05	01.1
1003	NOV 01/04	01.1	1038	NOV 01/04	01.1
			1039	NOV 01/04	01.1
			1040	NOV 01/04	01.1
			1040A	NOV 01/04	01.1
			1040B	NOV 01/04	01.1
			*1040C	NOV 01/05	01.1
			*1040D	NOV 01/05	01.101
			1040E	NOV 01/04	01.1

* = REVISED, ADDED OR DELETED

57-53-51

 EFFECTIVE PAGES
 CONTINUED Page 2
 01 Nov 01/05



BOEING
 COMPONENT
 MAINTENANCE MANUAL

PAGE	DATE	CODE	PAGE	DATE	CODE
ILLUSTRATED PARTS LIST		CONT.	ILLUSTRATED PARTS LIST		CONT.
1040F	NOV 01/04	01.1	1042T	NOV 01/04	01.1
1040G	NOV 01/04	01.1	1042U	NOV 01/04	01.1
1040H	NOV 01/04	01.1	1042V	NOV 01/04	01.1
1040I	NOV 01/04	01.1	1042W	NOV 01/04	01.1
1040J	NOV 01/04	01.1	1042X	NOV 01/04	01.1
1040K	NOV 01/04	01.1	1042Y	NOV 01/04	01.1
1040L	NOV 01/04	01.1	1042Z	NOV 01/04	01.1
1040M	NOV 01/04	01.1	1043	NOV 01/04	01.1
1040N	NOV 01/04	01.1	1044	NOV 01/04	01.1
1040O	NOV 01/04	01.1	1044A	NOV 01/04	01.1
1040P	NOV 01/04	01.1	1044B	NOV 01/04	01.1
1040Q	NOV 01/04	01.1	1044C	NOV 01/04	01.1
1040R	NOV 01/04	01.1	1044D	NOV 01/04	01.1
1040S	NOV 01/04	01.1	1044E	NOV 01/04	01.1
1040T	NOV 01/04	01.1	1044F	NOV 01/04	01.1
1040U	NOV 01/04	01.1	1044G	NOV 01/04	01.1
1040V	NOV 01/04	01.1	1044H	NOV 01/04	01.1
1040W	NOV 01/04	01.1	1044I	NOV 01/04	01.1
1040X	NOV 01/04	01.1	1044J	NOV 01/04	01.1
1040Y	NOV 01/04	01.1	1044K	NOV 01/04	01.1
1040Z	NOV 01/04	01.1	1044L	NOV 01/04	01.1
1041	NOV 01/04	01.1	1044M	NOV 01/04	01.1
1042	NOV 01/04	01.1	1044N	NOV 01/04	01.1
1042A	NOV 01/04	01.1	1044O	NOV 01/04	01.1
1042B	NOV 01/04	01.1	1044P	NOV 01/04	01.1
1042C	NOV 01/04	01.1	1044Q	NOV 01/04	01.1
1042D	NOV 01/04	01.1	1044R	NOV 01/04	01.1
1042E	NOV 01/04	01.1	1044S	NOV 01/04	01.1
1042F	NOV 01/04	01.1	1044T	NOV 01/04	01.1
1042G	NOV 01/04	01.1	*1044U	NOV 01/05	01.101
1042H	NOV 01/04	01.1	*1044V	NOV 01/05	01.1
1042I	NOV 01/04	01.1	*1044W	NOV 01/05	01.1
1042J	NOV 01/04	01.1	*1044X	NOV 01/05	01.1
1042K	NOV 01/04	01.1	*1044Y	NOV 01/05	01.1
1042L	NOV 01/04	01.1	*1044Z	NOV 01/05	01.1
1042M	NOV 01/04	01.1	*1045	NOV 01/05	01.1
1042N	NOV 01/04	01.1	*1046	NOV 01/05	01.1
1042O	NOV 01/04	01.1	*1046A	NOV 01/05	01.1
1042P	NOV 01/04	01.1	*1046B	NOV 01/05	01.1
1042Q	NOV 01/04	01.1	*1046C	NOV 01/05	01.1
1042R	NOV 01/04	01.1	*1046D	NOV 01/05	01.1
1042S	NOV 01/04	01.1	*1046E	NOV 01/05	01.1

* = REVISED, ADDED OR DELETED

57-53-51

EFFECTIVE PAGES
 CONTINUED Page 3
 01 Nov 01/05

PAGE	DATE	CODE	PAGE	DATE	CODE
ILLUSTRATED PARTS LIST		CONT.	ILLUSTRATED PARTS LIST		CONT.
*1046F	NOV 01/05	01.1	1048T	NOV 01/04	01.1
1046G	NOV 01/04	01.1	1048U	NOV 01/04	01.1
*1046H	NOV 01/05	01.1	1048V	NOV 01/04	01.1
*1046I	NOV 01/05	01.1	1048W	NOV 01/04	01.1
*1046J	NOV 01/05	01.1	1048X	NOV 01/04	01.1
*1046K	NOV 01/05	01.1	1048Y	NOV 01/04	01.1
*1046L	NOV 01/05	01.1	1048Z	NOV 01/04	01.1
*1046M	NOV 01/05	01.1	1049	NOV 01/04	01.1
*1046N	NOV 01/05	01.1	1050	NOV 01/04	01.1
*1046O	NOV 01/05	01.1	1050A	NOV 01/04	01.1
*1046P	NOV 01/05	01.1	1050B	NOV 01/04	01.1
*1046Q	NOV 01/05	01.1	1050C	NOV 01/04	01.1
*1046R	NOV 01/05	01.1	*1050D	NOV 01/05	01.1
*1046S	NOV 01/05	01.1	1050E	NOV 01/04	01.1
*1046T	NOV 01/05	01.1	1050F	NOV 01/04	01.1
*1046U	NOV 01/05	01.1	1050G	NOV 01/04	01.1
*1046V	NOV 01/05	01.1	*1050H	NOV 01/05	01.1
*1046W	NOV 01/05	01.1	1050I	NOV 01/04	01.1
*1046X	NOV 01/05	01.1	1050J	NOV 01/04	01.1
*1046Y	NOV 01/05	01.1	1050K	NOV 01/04	01.1
*1046Z	NOV 01/05	01.1	1050L	NOV 01/04	01.1
1047	NOV 01/04	01.1	1050M	NOV 01/04	01.1
1048	NOV 01/04	01.1	1050N	NOV 01/04	01.1
1048A	NOV 01/04	01.1	1050O	NOV 01/04	01.1
*1048B	NOV 01/05	01.1	1050P	NOV 01/04	01.1
1048C	NOV 01/04	01.1	1050Q	NOV 01/04	01.1
*1048D	NOV 01/05	01.1	*1050R	NOV 01/05	01.1
1048E	NOV 01/04	01.1	1050S	NOV 01/04	01.1
*1048F	NOV 01/05	01.1	1050T	NOV 01/04	01.1
*1048G	NOV 01/05	01.1	1050U	NOV 01/04	01.1
1048H	NOV 01/04	01.1	1050V	NOV 01/04	01.1
1048I	NOV 01/04	01.1	*1050W	NOV 01/05	01.1
1048J	NOV 01/04	01.1	1050X	NOV 01/04	01.1
*1048K	NOV 01/05	01.1	1050Y	NOV 01/04	01.1
*1048L	NOV 01/05	01.1	1050Z	NOV 01/04	01.1
1048M	NOV 01/04	01.1	1051	NOV 01/04	01.1
1048N	NOV 01/04	01.1	1052	NOV 01/04	01.1
1048O	NOV 01/04	01.1	1052A	NOV 01/04	01.1
1048P	NOV 01/04	01.1	1052B	NOV 01/04	01.1
1048Q	NOV 01/04	01.1	1052C	NOV 01/04	01.1
1048R	NOV 01/04	01.1	1052D	NOV 01/04	01.1
1048S	NOV 01/04	01.1	*1052E	NOV 01/05	01.1

* = REVISED, ADDED OR DELETED

57-53-51

EFFECTIVE PAGES
 CONTINUED Page 4
 01 Nov 01/05


BOEING
 COMPONENT
 MAINTENANCE MANUAL

PAGE	DATE	CODE	PAGE	DATE	CODE
ILLUSTRATED PARTS LIST		CONT.	ILLUSTRATED PARTS LIST		CONT.
*1052F	NOV 01/05	01.1	1054T	NOV 01/04	01.1
*1052G	NOV 01/05	01.1	1054U	NOV 01/04	01.1
*1052H	NOV 01/05	01.1	1054V	NOV 01/04	01.1
1052I	BLANK		1054W	NOV 01/04	01.1
1052J	NOV 01/04	01.101	1054X	NOV 01/04	01.1
1052K	NOV 01/04	01.1	1054Y	NOV 01/04	01.1
1052L	NOV 01/04	01.101	1054Z	NOV 01/04	01.1
1052M	NOV 01/04	01.101	1055	NOV 01/04	01.1
1052N	NOV 01/04	01.101	1056	NOV 01/04	01.1
1052O	NOV 01/04	01.1	1056A	NOV 01/04	01.1
1052P	NOV 01/04	01.1	1056B	NOV 01/04	01.1
1052Q	NOV 01/04	01.1	1056C	NOV 01/04	01.1
1052R	NOV 01/04	01.1	1056D	NOV 01/04	01.1
1052S	NOV 01/04	01.1	1056E	NOV 01/04	01.1
1052T	NOV 01/04	01.1	1056F	NOV 01/04	01.1
1052U	NOV 01/04	01.1	1056G	NOV 01/04	01.1
1052V	NOV 01/04	01.1	1056H	NOV 01/04	01.1
1052W	BLANK		1056I	NOV 01/04	01.1
1052X	NOV 01/04	01.1	1056J	NOV 01/04	01.1
1052Y	NOV 01/04	01.1	1056K	NOV 01/04	01.1
1052Z	NOV 01/04	01.1	1056L	NOV 01/04	01.1
1053	NOV 01/04	01.1	1056M	NOV 01/04	01.1
1054	NOV 01/04	01.1	1056N	BLANK	
1054A	NOV 01/04	01.1	1056O	NOV 01/04	01.1
1054B	NOV 01/04	01.1	1056P	NOV 01/04	01.1
1054C	NOV 01/04	01.1	1056Q	NOV 01/04	01.1
1054D	NOV 01/04	01.1	1056R	NOV 01/04	01.1
1054E	NOV 01/04	01.1	1056S	NOV 01/04	01.1
1054F	NOV 01/04	01.1	1056T	NOV 01/04	01.1
1054G	NOV 01/04	01.1	1056U	NOV 01/04	01.1
1054H	NOV 01/04	01.1	1056V	NOV 01/04	01.1
1054I	NOV 01/04	01.1	1056W	NOV 01/04	01.1
1054J	NOV 01/04	01.1	1056X	NOV 01/04	01.1
1054K	NOV 01/04	01.1	1056Y	NOV 01/04	01.1
1054L	NOV 01/04	01.1	1056Z	NOV 01/04	01.1
1054M	NOV 01/04	01.1	1057	NOV 01/04	01.1
1054N	NOV 01/04	01.1	1058	NOV 01/04	01.1
1054O	NOV 01/04	01.1	1058A	NOV 01/04	01.1
1054P	NOV 01/04	01.1	1058B	NOV 01/04	01.1
1054Q	NOV 01/04	01.1	1058C	NOV 01/04	01.1
1054R	NOV 01/04	01.1	1058D	NOV 01/04	01.1
1054S	NOV 01/04	01.1	1058E	NOV 01/04	01.1

* = REVISED, ADDED OR DELETED

57-53-51

EFFECTIVE PAGES

CONTINUED Page 5

01 Nov 01/05

PAGE	DATE	CODE	PAGE	DATE	CODE
ILLUSTRATED	PARTS LIST	CONT.	ILLUSTRATED	PARTS LIST	CONT.
1058F	NOV 01/04	01.1	1060T	NOV 01/04	01.1
1058G	NOV 01/04	01.1	1060U	NOV 01/04	01.1
1058H	NOV 01/04	01.1	1060V	NOV 01/04	01.1
1058I	NOV 01/04	01.1	1060W	NOV 01/04	01.1
1058J	NOV 01/04	01.1	1060X	NOV 01/04	01.1
1058K	NOV 01/04	01.1	1060Y	NOV 01/04	01.1
1058L	NOV 01/04	01.1	1060Z	NOV 01/04	01.1
1058M	NOV 01/04	01.1	1061	NOV 01/04	01.1
1058N	NOV 01/04	01.1	1062	NOV 01/04	01.1
1058O	NOV 01/04	01.1	1062A	NOV 01/04	01.1
1058P	NOV 01/04	01.1	1062B	NOV 01/04	01.1
1058Q	NOV 01/04	01.1	1062C	NOV 01/04	01.1
1058R	NOV 01/04	01.1	1062D	NOV 01/04	01.1
1058S	NOV 01/04	01.1	1062E	NOV 01/04	01.1
1058T	NOV 01/04	01.1	1062F	NOV 01/04	01.1
1058U	NOV 01/04	01.1	1062G	NOV 01/04	01.1
1058V	NOV 01/04	01.1	1062H	NOV 01/04	01.1
1058W	NOV 01/04	01.1	1062I	NOV 01/04	01.1
1058X	NOV 01/04	01.1	1062J	NOV 01/04	01.1
1058Y	NOV 01/04	01.1	1062K	NOV 01/04	01.1
1058Z	NOV 01/04	01.1	1062L	NOV 01/04	01.1
1059	NOV 01/04	01.1	1062M	NOV 01/04	01.1
1060	NOV 01/04	01.1	1062N	NOV 01/04	01.1
1060A	NOV 01/04	01.1	1062O	NOV 01/04	01.1
1060B	NOV 01/04	01.1	1062P	NOV 01/04	01.1
1060C	NOV 01/04	01.1	1062Q	NOV 01/04	01.1
1060D	NOV 01/04	01.1	1062R	NOV 01/04	01.1
1060E	NOV 01/04	01.1	1062S	NOV 01/04	01.1
1060F	NOV 01/04	01.1	1062T	BLANK	
1060G	NOV 01/04	01.1	1062U	NOV 01/04	01.1
1060H	NOV 01/04	01.1	1062V	NOV 01/04	01.1
1060I	NOV 01/04	01.1	1062W	NOV 01/04	01.1
1060J	NOV 01/04	01.1	1062X	NOV 01/04	01.1
1060K	NOV 01/04	01.1	1062Y	NOV 01/04	01.1
1060L	NOV 01/04	01.1	1062Z	NOV 01/04	01.1
1060M	NOV 01/04	01.1	1063	NOV 01/04	01.1
1060N	NOV 01/04	01.1	1064	NOV 01/04	01.1
1060O	NOV 01/04	01.1	1064A	NOV 01/04	01.1
1060P	NOV 01/04	01.1	1064B	NOV 01/04	01.1
1060Q	NOV 01/04	01.1	1064C	NOV 01/04	01.1
1060R	NOV 01/04	01.1	1064D	NOV 01/04	01.1
1060S	NOV 01/04	01.1	1064E	NOV 01/04	01.1

* = REVISED, ADDED OR DELETED

57-53-51

EFFECTIVE PAGES
 CONTINUED Page 6
 01 Nov 01/05



BOEING
 COMPONENT
 MAINTENANCE MANUAL

PAGE	DATE	CODE	PAGE	DATE	CODE
ILLUSTRATED PARTS LIST		CONT.	ILLUSTRATED PARTS LIST		CONT.
1064F	NOV 01/04	01.1	1066T	NOV 01/04	01.1
1064G	NOV 01/04	01.1	1066U	NOV 01/04	01.1
1064H	NOV 01/04	01.1	1066V	NOV 01/04	01.1
1064I	NOV 01/04	01.1	1066W	NOV 01/04	01.1
1064J	NOV 01/04	01.1	1066X	NOV 01/04	01.1
1064K	NOV 01/04	01.1	1066Y	NOV 01/04	01.1
1064L	NOV 01/04	01.1	1066Z	NOV 01/04	01.1
1064M	NOV 01/04	01.1	1067	BLANK	
1064N	NOV 01/04	01.1	1068	NOV 01/04	01.1
1064O	NOV 01/04	01.1	1068A	NOV 01/04	01.1
1064P	BLANK		1068B	NOV 01/04	01.1
1064Q	NOV 01/04	01.1	1068C	NOV 01/04	01.1
1064R	NOV 01/04	01.1	1068D	NOV 01/04	01.1
1064S	NOV 01/04	01.1	1068E	NOV 01/04	01.1
1064T	NOV 01/04	01.1	1068F	NOV 01/04	01.1
1064U	NOV 01/04	01.1	1068G	NOV 01/04	01.1
1064V	NOV 01/04	01.1	1068H	NOV 01/04	01.1
1064W	NOV 01/04	01.1	1068I	NOV 01/04	01.1
1064X	NOV 01/04	01.1	1068J	NOV 01/04	01.1
1064Y	NOV 01/04	01.1	1068K	NOV 01/04	01.1
1064Z	NOV 01/04	01.1	1068L	NOV 01/04	01.1
1065	NOV 01/04	01.1	1068M	NOV 01/04	01.1
1066	NOV 01/04	01.1	1068N	NOV 01/04	01.1
1066A	NOV 01/04	01.1	1068O	NOV 01/04	01.1
1066B	NOV 01/04	01.1	1068P	NOV 01/04	01.1
1066C	NOV 01/04	01.1	1068Q	NOV 01/04	01.1
1066D	NOV 01/04	01.1	1068R	NOV 01/04	01.1
1066E	NOV 01/04	01.1	1068S	NOV 01/04	01.1
1066F	NOV 01/04	01.1	1068T	NOV 01/04	01.1
1066G	NOV 01/04	01.1	1068U	NOV 01/04	01.1
1066H	NOV 01/04	01.1	1068V	NOV 01/04	01.1
1066I	NOV 01/04	01.1	1068W	NOV 01/04	01.1
1066J	NOV 01/04	01.1	1068X	NOV 01/04	01.1
1066K	NOV 01/04	01.1	1068Y	NOV 01/04	01.1
1066L	NOV 01/04	01.1	1068Z	NOV 01/04	01.1
1066M	NOV 01/04	01.1	1069	NOV 01/04	01.1
1066N	NOV 01/04	01.1	1070	NOV 01/04	01.1
1066O	NOV 01/04	01.1	1070A	NOV 01/04	01.1
1066P	NOV 01/04	01.1	1070B	NOV 01/04	01.1
1066Q	NOV 01/04	01.1	1070C	NOV 01/04	01.1
1066R	NOV 01/04	01.1	1070D	NOV 01/04	01.1
1066S	NOV 01/04	01.1	1070E	NOV 01/04	01.1

* = REVISED, ADDED OR DELETED

57-53-51

EFFECTIVE PAGES
 CONTINUED Page 7
 01 Nov 01/05

PAGE	DATE	CODE	PAGE	DATE	CODE
ILLUSTRATED	PARTS LIST	CONT.			
1070F	NOV 01/04	01.1			
1070G	NOV 01/04	01.1			
1070H	NOV 01/04	01.1			
1070I	NOV 01/04	01.1			
1070J	NOV 01/04	01.1			
1070K	NOV 01/04	01.1			
1070L	NOV 01/04	01.1			
1070M	NOV 01/04	01.1			
1070N	NOV 01/04	01.1			
1070O	NOV 01/04	01.1			
1070P	NOV 01/04	01.1			
1070Q	NOV 01/04	01.1			
1070R	NOV 01/04	01.1			
1070S	NOV 01/04	01.1			
1070T	NOV 01/04	01.1			

* = REVISED, ADDED OR DELETED

57-53-51

EFFECTIVE PAGES
 LAST PAGE Page 8
 01 Nov 01/05



TABLE OF CONTENTS

<u>Paragraph Title</u>	<u>Page</u>
Description and Operation	1
Testing/Trouble Shooting (not applicable)	
Disassembly	301
Cleaning.	401
Check	501
Repair.	601
Assembly.	701
Fits and Clearances	801
Special Tools.	901
Illustrated Parts List.	1001

57-53-51

CONTENTS

Page 1

Jul 01/01

01.1



INTRODUCTION

The instructions in this manual provide the information necessary to perform maintenance functions ranging from simple checks and replacement to complete shop-type repair.

This manual is divided into separate sections:

- | | |
|--|------------------------------|
| 1. Title Page | 4. List of Effective Pages |
| 2. Record of Revisions | 5. Table of Contents |
| 3. Temporary Revision &
Service Bulletin Record | 6. Introduction |
| | 7. Procedures & IPL Sections |

Refer to the Table of Contents for the page location of applicable sections. An asterisked flagnote *[] in place of the page number indicates that no special instructions are provided since the function can be performed using standard industry practices.

The beginning of the REPAIR section includes a list of the separate repairs, a list of applicable standard Boeing practices, and an explanation of the True Position Dimensioning symbols used.

An explanation of the use of the Illustrated Parts List is provided in the Introduction to that section.

All weights and measurements used in the manual are in English units, unless otherwise stated. When metric equivalents are given they will be in parentheses following the English units.

Design changes, optional parts, configuration differences and Service Bulletin modifications create alternate part numbers. These are identified in the Illustrated Parts List (IPL) by adding an alphabetical character to the basic item number. The resulting item number is called an alpha-variant. Throughout the manual, IPL basic item number references also apply to alpha-variants unless otherwise indicated.

Verification :

Assembly JUL 10/87

57-53-51

INTRODUCTION

01.1

Page 1

Jul 10/87



OUTBOARD TRAILING EDGE FLAP ASSEMBLY

DESCRIPTION AND OPERATION

1. Description

A. The outboard trailing edge flap assembly includes an aluminum frame structure with front and mid spars, wedge honeycomb rear spars, ribs, honeycomb skin panels, and a leading edge.

2. Operation

A. The outboard trailing edge flap assembly extends and retracts with the inboard flap to help increase lift at slow speed during landing and takeoff.

3. Leading Particulars (Approximate)

Length -- 376 inches

Width -- 60 inches Inboard End, 30 inches Outboard End

Thickness -- 7 inches Inboard End, 4 inches Outboard End

Weight -- 421 pounds

57-53-51

DESCRIPTION & OPERATION

01.1

Page 1

Sep 01/96



DISASSEMBLY

NOTE: Disassemble this component only as necessary to for fault isolation, to find the serviceability of parts, to do necessary repairs and to put the unit back in serviceable condition.

1. Use standard industry practices and these steps.
2. Make a note of the thickness of shims (40, 133, 136, 148, 217, IPL Fig. 1) to help during assembly.

57-53-51

DISASSEMBLY

01.1

Page 301

Sep 01/96



CLEANING

CAUTION: DO NOT VAPOR DEGREASE GRAPHITE/ARAMID EPOXY STRUCTURES WITH CHLORINATED CLEANING AGENTS SUCH AS METHYLENE CHLORIDE, TRICHLOROETHYLENE, AND TRICHLOROETHANE. CHLORINATED CLEANING AGENTS WILL CAUSE DAMAGE TO GRAPHITE/ARAMID EPOXY STRUCTURES.

1,1,1-TRICHLOROETHANE CAN BE USED TO CLEAN COMPOSITE COMPONENTS. DO NOT SOAK PARTS IN THE SOLVENT OR LET SOLVENT STAY ON THE PARTS OR DAMAGE COULD OCCUR. USE 1,1,1-TRICHLOROETHANE ONLY AS A WIPE SOLVENT.

CAUTION: DO NOT LET SOLVENT GET INTO THE FLAP STRUCTURE. CLEAN THE STRUCTURE AS NECESSARY ONLY WITH A CLOTH WET WITH SOLVENT.

1. Clean all parts that are not bearings or graphite/aramid epoxy structures, by standard industry practices and the instructions in SOPM 20-30-03.
2. Clean bearings (75A, IPL Fig. 2; 65, IPL Fig. 5) per SOPM 20-30-01.

57-53-51

CLEANING
Page 401
Nov 01/04

01.1

CHECK

1. Do a visual check:

A. Use standard industry procedures to examine all of the parts for defects. Do the magnetic particle check or the penetrant check if cracks or damage are seen or if you think there are cracks or damage.

(1) Do a magnetic particle check (SOPM 20-20-01) of these parts:

(a) IPL Fig. 1

1) Bushing (491)

2) Washer (466,467)

(2) Do a penetrant check (SOPM 20-20-02) of these parts:

(a) IPL Fig. 1

1) Support (230, 231L)

(b) IPL Fig. 6

1) Bracket (108, 111, 135, 138, 168, 171)

2) Bumper (225)

3) Support (363, 378)

4) Rib (669, 672)

(c) IPL Fig. 7

1) Bracket (75, 80)

57-53-51

CHECK

01.1

Page 501

Nov 01/04

- 2) Rib (165, 170)
- (d) IPL Fig. 8
 - 1) Rib (125, 130)
- (e) IPL Fig. 9
 - 1) Rib (90, 95)
- (f) IPL Fig. 10
 - 1) Support (145, 150, 165, 170)
 - 2) Rib (175, 180)
- (g) IPL Fig. 12
 - 1) Support (115, 145)
 - 2) Spar (210, 215)
 - 3) Clip (120, 125, 150, 155, 200, 205)
 - 4) Fitting (140)
- (3) Do a check of the honeycomb structure:
 - (a) Do a check of the honeycomb and the bonded parts for delamination, internal water, scratches, and any contour damage.
 - 1) If you see delamination or contour damage, do an ultrasonic check or a tap test to find all of the damage.

NOTE: For a tap test, use a solid metal disk and refer to the 767 Non-destructive Test Manual, Part 1, 51-05-01.

57-53-51

CHECK
01.101 Page 502
Nov 01/04

**BOEING**
COMPONENT
MAINTENANCE MANUAL

- (b) Examine the areas that you think contain water radiographically or by thermography as shown in the 767 Non-destructive Test Manual, Part 9, 51-00-01.
- (4) Refer to the 767 Structural Repair Manual for the allowable damages and repairs.

57-53-51CHECK
Page 503
Nov 01/99

REPAIR – GENERAL1. Content

- A. Repair, refinish, and replacement procedures are included in separate repair sections as follows:

<u>P/N</u>	<u>NAME</u>	<u>REPAIR</u>
113T3133	RIB ASSEMBLY	1-1
113T3158	FITTING ASSEMBLY	2-1
---	MISCELLANEOUS PARTS REFINISH	3-1
113T3134	RIB ASSEMBLY	4-1, 4-2
113T3160, 113T3182	WEDGE INSTALLATION	5-1

2. Standard Practices

- A. Refer to the following standard practices, as applicable, for details of procedures in individual repairs.

20-10-03 Shot Peening
 20-30-02 Stripping of Protective Finishes
 20-30-03 General Cleaning Procedures
 20-41-01 Decoding Table for Boeing Finish Codes
 20-41-02 Application of Chemical and Solvent Resistant Finishes
 20-41-03 Application of Corrosion Preventives to Closed End Tubes
 20-42-05 Cadmium Plating
 20-43-01 Chromic Acid Anodizing
 20-43-03 Chemical Conversion Coatings for Aluminum
 20-44-01 Application of Abrasion Resistant Finishes
 20-50-03 Bearing Installation and Retention
 20-50-10 Stencil Application
 20-60-02 Finishing Materials
 20-60-04 Miscellaneous Materials

3. Material

NOTE: Equivalent substitutes can be used.

- A. Enamel -- BMS 10-11, type 2 (Ref 20-60-02)
 B. Enamel -- BMS 10-60, type 2 (Ref 20-60-02)
 C. Enamel -- BMS 10-86, type 1 and 2 (Ref 20-60-02)
 D. Primer -- BMS 10-11, type 1 (Ref 20-60-02)

57-53-51

REPAIR-GENERAL

01.1

Page 601

Jul 01/01

- E. Primer -- BMS 10-79, type 2 (Ref 20-60-02)
- F. Primer -- BMS 10-89, type 1 and type 3 (Ref 20-60-02)
- G. Sealant -- BMS 5-95, class B (Ref 20-60-04)

4. Dimensioning Symbols

- A. Standard True Position Dimensioning Symbols used in applicable repair procedures are shown in Fig. 601.

57-53-51

REPAIR-GENERAL

01.1

Page 602

Sep 01/96

BOEING
COMPONENT
MAINTENANCE MANUAL

- STRAIGHTNESS
- ▭ FLATNESS
- ⊥ PERPENDICULARITY (OR SQUARENESS)
- // PARALLELISM
- ROUNDNESS
- ⊙ CYLINDRICITY
- ⌒ PROFILE OF A LINE
- △ PROFILE OF A SURFACE
- ◎ CONCENTRICITY
- ≡ SYMMETRY
- ∠ ANGULARITY
- ↗ RUNOUT
- ↗ TOTAL RUNOUT
- ⊔ COUNTERBORE OR SPOTFACE
- ∇ COUNTERSINK

- ⊕ THEORETICAL EXACT POSITION OF A FEATURE (TRUE POSITION)
- ∅ DIAMETER
- S ∅ SPHERICAL DIAMETER
- R RADIUS
- SR SPHERICAL RADIUS
- () REFERENCE
- BASIC (BSC) OR DIM A THEORETICALLY EXACT DIMENSION USED TO DESCRIBE SIZE, SHAPE OR LOCATION OF A FEATURE FROM WHICH PERMISSIBLE VARIATIONS ARE ESTABLISHED BY TOLERANCES ON OTHER DIMENSIONS OR NOTES.
- A- DATUM
- Ⓜ MAXIMUM MATERIAL CONDITION (MMC)
- Ⓛ LEAST MATERIAL CONDITION (LMC)
- Ⓢ REGARDLESS OF FEATURE SIZE (RFS)
- Ⓟ PROJECTED TOLERANCE ZONE
- FIM FULL INDICATOR MOVEMENT

EXAMPLES

<p>— 0.002 STRAIGHT WITHIN 0.002</p> <p>⊥ 0.002 B PERPENDICULAR TO B WITHIN 0.002</p> <p>// 0.002 A PARALLEL TO A WITHIN 0.002</p> <p>○ 0.002 ROUND WITHIN 0.002</p> <p>⊙ 0.010 CYLINDRICAL SURFACE MUST LIE BETWEEN TWO CONCENTRIC CYLINDERS, ONE OF WHICH HAS A RADIUS 0.010 INCH GREATER THAN THE OTHER</p> <p>⌒ 0.006 A EACH LINE ELEMENT OF THE SURFACE AT ANY CROSS SECTION MUST LIE BETWEEN TWO PROFILE BOUNDARIES 0.006 INCH APART RELATIVE TO DATUM PLANE A</p> <p>△ 0.020 A SURFACES MUST LIE WITHIN PARALLEL BOUNDARIES 0.02 INCH APART AND EQUALLY DISPOSED ABOUT TRUE PROFILE</p>	<p>◎ ∅ 0.0005 C CONCENTRIC TO C WITHIN 0.0005 DIAMETER</p> <p>≡ 0.010 A SYMMETRICAL WITH A WITHIN 0.010</p> <p>∠ 0.005 A ANGULAR TOLERANCE 0.005 WITH A</p> <p>⊕ ∅ 0.002 Ⓢ B LOCATED AT TRUE POSITION WITHIN 0.002 DIA RELATIVE TO DATUM B, REGARDLESS OF FEATURE SIZE</p> <p>⊥ ∅ 0.010 Ⓜ A 0.510 Ⓟ AXIS IS TOTALLY WITHIN A CYLINDER OF 0.010-INCH DIAMETER, PERPENDICULAR TO, AND EXTENDING 0.510-INCH ABOVE, DATUM A, MAXIMUM MATERIAL CONDITION</p> <p>2.000 THEORETICALLY EXACT DIMENSION IS 2.000 OR 2.000 BSC</p> <p>0.020 A A 0.020</p>
<p>NOTE: DATUM MAY APPEAR AT EITHER SIDE OF TOLERANCE FRAME</p>	

True Position Dimensioning Symbols
 Figure 601

57-53-51

REPAIR-GENERAL

01.1

Page 603

Sep 01/96

RIB ASSEMBLY – REPAIR 1-1

113T3133-1, -2

NOTE: Refer to REPAIR – GENERAL for a list of applicable standard practices.

1. Bushing Replacement (Fig. 601, 602)

A. Bushings (554, IPL Fig. 1)

- (1) Remove the old bushing.
- (2) If you find defects on the hole surface, refer to par. 2 for repair instructions.
- (3) Install replacement bushings by the shrink-fit method of SOPM 20-50-03.
- (4) Fill the cavity between the bushings with BMS 5-95 sealant, class B.
- (5) Machine the bushings to design dimensions and finish.
- (6) Fillet seal the bushing flanges with BMS 5-95 sealant.

B. Bushings (555, IPL Fig. 1)

- (1) Remove the old bushings.
- (2) If you find defects on the hole surface, refer to par. 2 for repair instructions.
- (3) Install replacement bushings by the shrink-fit method of SOPM 20-50-03.
- (4) Machine the bushings to design dimensions and finish.
- (5) Fill the cavity between the bushings with BMS 5-95 sealant, class B.

(6) Install bushings (554, IPL Fig. 1)

(7) Apply enamel over the sealant.

2. Holes for Bushings (Fig. 601, 602)

A. Machine the hole surfaces as required, within repair limits, to remove defects.

B. Penetrant check per SOPM 20-20-02.

57-53-51

REPAIR 1-1

01.1

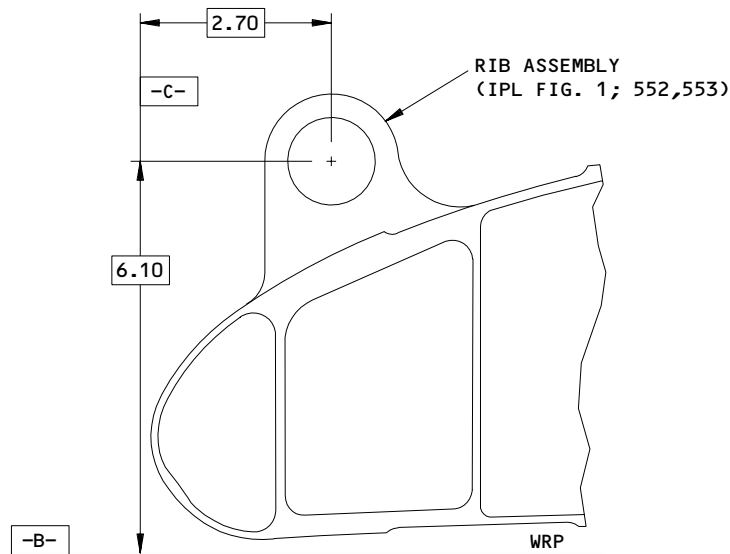
Page 601

Nov 01/04

- C. Shot peen bore as indicated.
- D. Refinish per par. 3.A.
- E. Make oversize bushings (Fig. 604) as necessary to adjust for material removed in step A.
- F. Install the bushings per par. 1.

3. Refinish

- A. Rib (552, 553, IPL Fig. 1 -- Chromic acid anodize and apply BMS 10-11, type 1 primer (F-18.13). Apply BMS 10-60, BAC707 gray gloss enamel (SRF-14.9813). Do not apply primer or enamel in holes for bushings. Material: Al alloy.



ALL DIMENSIONS ARE IN INCHES

Bushing Replacement
Figure 601

119919

57-53-51

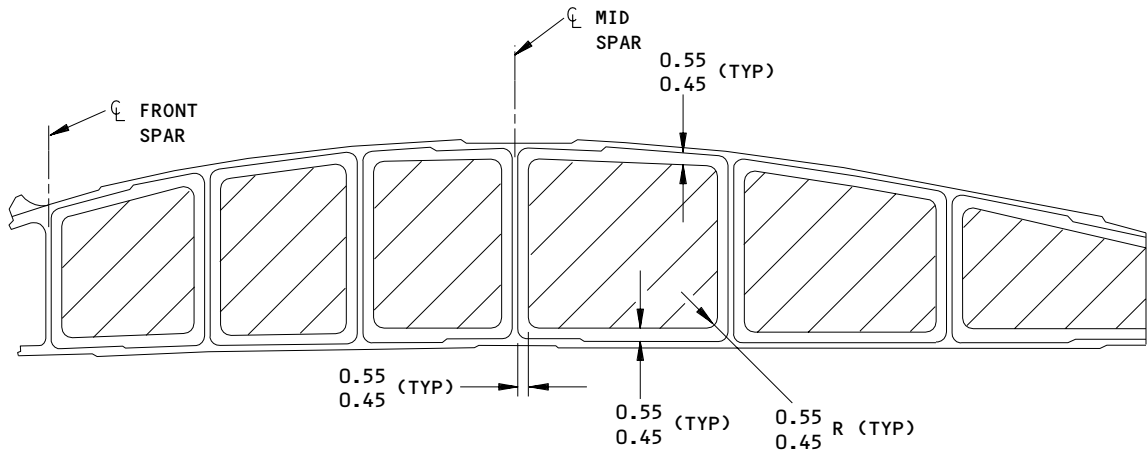
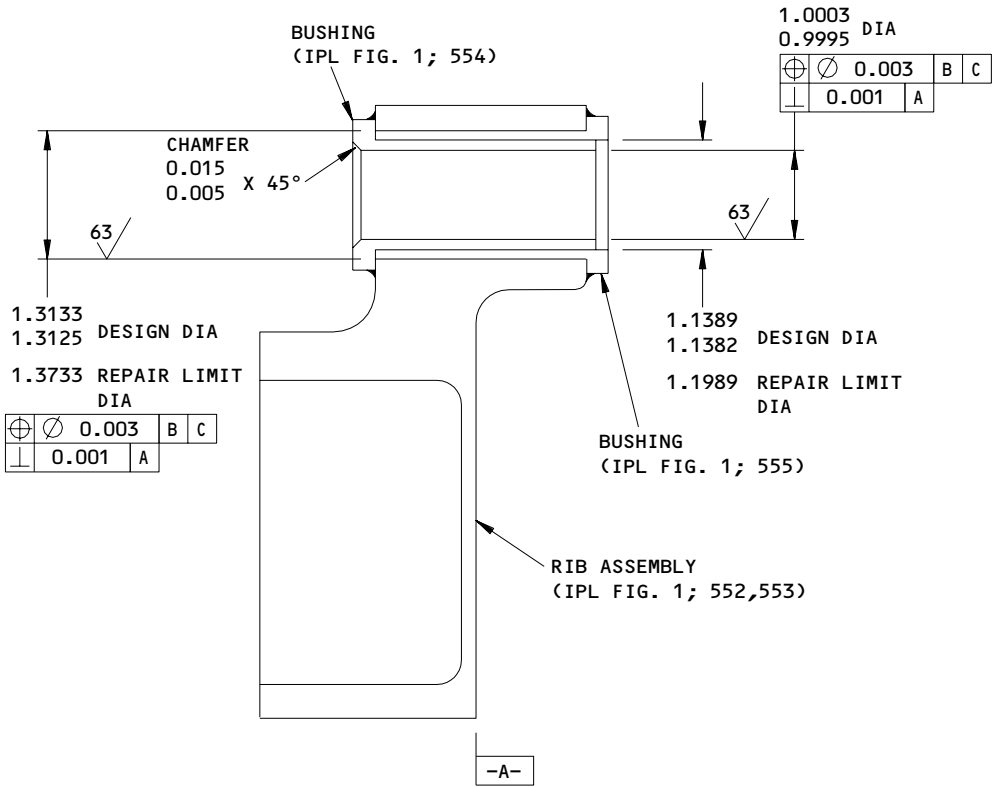
REPAIR 1-1

01.1

Page 602

Nov 01/04

BOEING
COMPONENT
MAINTENANCE MANUAL



REFINISH:

SEE 3.A.

1 SHOT PEENING NOT REQUIRED, BOTH SIDES, THIS AREA, SIX PLACES

REPAIR:

SHOT PEEN: 0.023-0.055 SHOT SIZE
0.004A-0.007A INTENSITY
2.0 COVERAGE PER 20-10-03 1

PENETRANT INSPECT PER SOPM 20-20-02 AFTER MACHINING

MATERIAL: AL ALLOY

ALL DIMENSIONS ARE IN INCHES

Bushing Replacement
 Figure 602

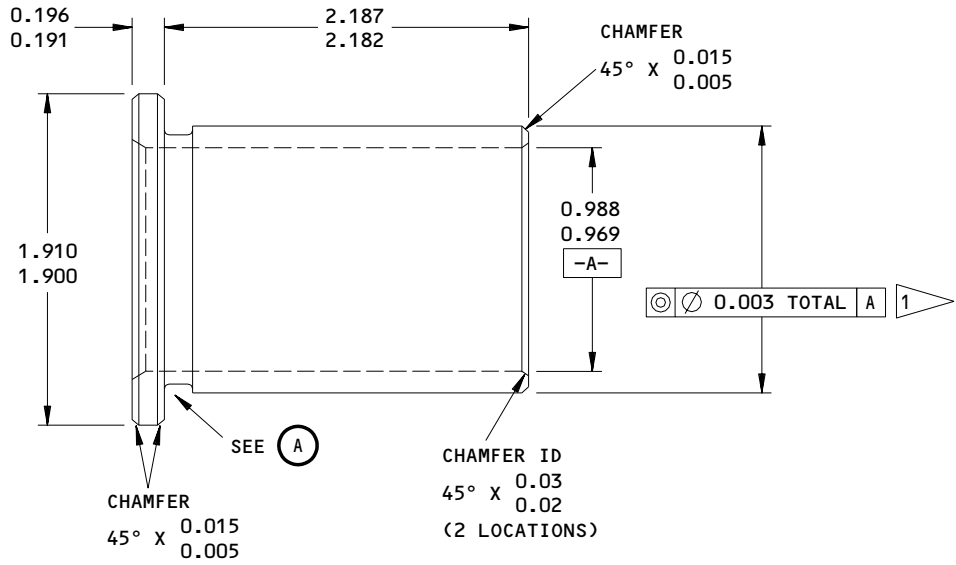
57-53-51

REPAIR 1-1

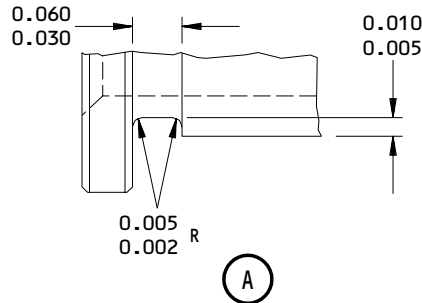
Page 603

Nov 01/04

01.1



**REPLACEMENT BUSHING FOR BUSHINGS
 (IPL FIG. 1; 554)**



1 FINAL BUSHING OUTSIDE DIAMETER
 EQUALS REPAIR DIAMETER OF BUSHING
 PLUS 0.0008-0.0022 INTERFERENCE

63 ALL MACHINED SURFACES UNLESS SHOWN
 DIFFERENTLY

ALL DIMENSIONS ARE IN INCHES
 DIMENSIONS APPLH AFTER PLATING

PENETRANT INSPECT PER SOPM 20-20-02 AFTER
 MACHINING

MATERIAL: AL-NI-BR ANNEALED ROD PER AMS 4640

FINISH: CADMIUM PLATE (0.0002 TO 0.0004 INCH)
 PER 20-42-05, TYPE 2, CLASS 3, EXCEPT
 ON INSIDE DIAMETER

**Oversize Bushing Details
 Figure 603**

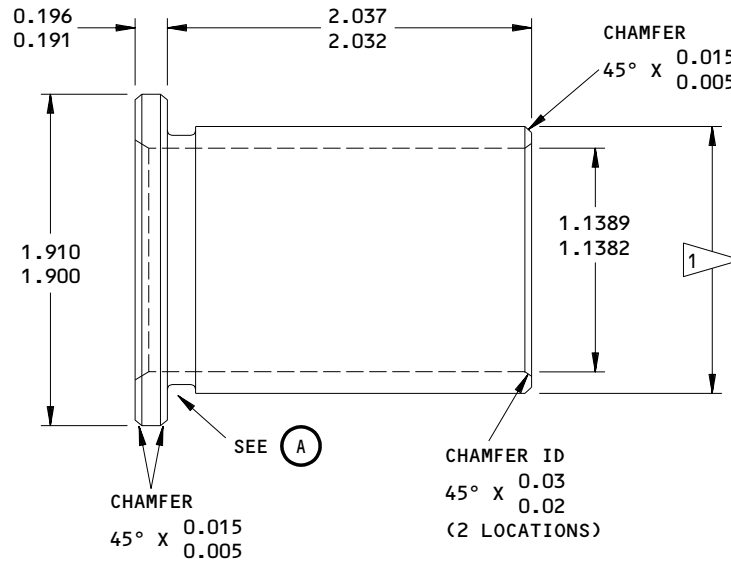
57-53-51

REPAIR 1-1

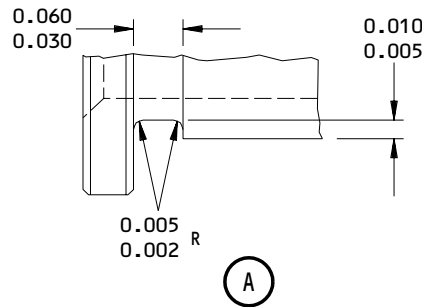
Page 604

Nov 01/04

01.1



REPLACEMENT BUSHING FOR BUSHING
 (IPL FIG. 1; 555)



1 FINAL BUSHING OUTSIDE DIAMETER
 EQUALS REPAIR DIAMETER OF RIB
 PLUS 0.0008-0.0024 INTERFERENCE

63/ ALL MACHINED SURFACES UNLESS SHOWN
 DIFFERENTLY

ALL DIMENSIONS ARE IN INCHES

DIMENSIONS APPLY AFTER PLATING

MAGNETIC INSPECT PER SOPM 20-20-02, CLASS B

MATERIAL: 15-5PH CRES ROD PER AMS 5659,
 SOLUTION TREATED, 150-170 KSI

FINISH: CADMIUM PLATE (0.0002 TO 0.0004 INCH)
 PER 20-42-05, TYPE 2, CLASS 3, EXCEPT
 ON INSIDE DIAMETER

Oversize Bushing Details
 Figure 604

57-53-51

REPAIR 1-1

01.1

Page 605

Nov 01/04

RIB ASSEMBLY – REPAIR 1-2

113T3133-401, -402

1. General

- A. This procedure has the data necessary to replace the bushings (115, 120) on the rib assembly (105, 110).
- B. Refer to the Standard Overhaul Practices Manual (SOPM) for details of the SOPM chapters identified in this procedure.
- C. Refer to the REPAIR – GENERAL (57-53-51/601, REPAIR – GENERAL) for the Standard True Position Dimensioning Symbols shown in the repair.
- D. Refer to IPL Fig. 8 for item numbers.

2. Bushing (115, 120) Replacement (Fig. 601)

A. Consumable Materials

NOTE: Equivalent materials can be used.

- (1) A00247 Sealant -- BMS 5-95 (SOPM 20-60-04)

B. References

- (1) SOPM 20-60-04, Miscellaneous Materials

C. Procedure

- (1) Remove the damaged bushing (115, 120).
- (2) If you find corrosion or damage on the rib (125, 130), see REPAIR 1-3 for repair instructions.
- (3) Install the new bushing (115, 120) on the rib (125, 130). Use the shrink fit method (SOPM 20-50-03).
- (4) Maching the inside diameter of the new bushing (115, 120) to dimensions specified in Fig. 601.

NOTE: If necessary for dimensioning, use a drill bit with a diameter less than 0.2500 inch and drill out the rivet in the K-hole on the rib (125, 130).

- (5) Break all sharp edges.
- (6) Fill the cavity between the bushing (115) and bushing (120) with BMS 5-95 sealant.

57-53-51

REPAIR 1-2

01.1

Page 601

Nov 01/04

- (7) Fillet seal the bushing flanges with BMS 5-95 sealant.
- (8) If you removed the rivet in the K-hole in a previous step, install a new rivet BACR15FT8D* in the K-hole.

57-53-51

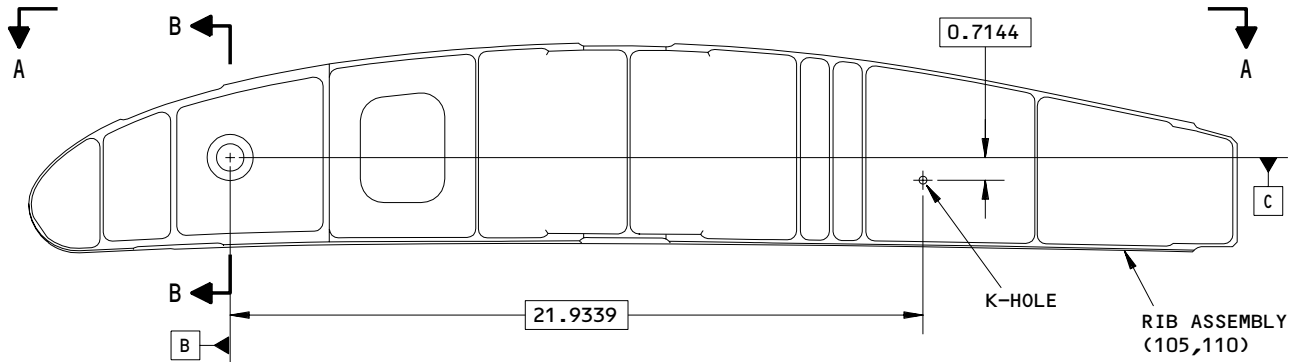
REPAIR 1-2

01.1

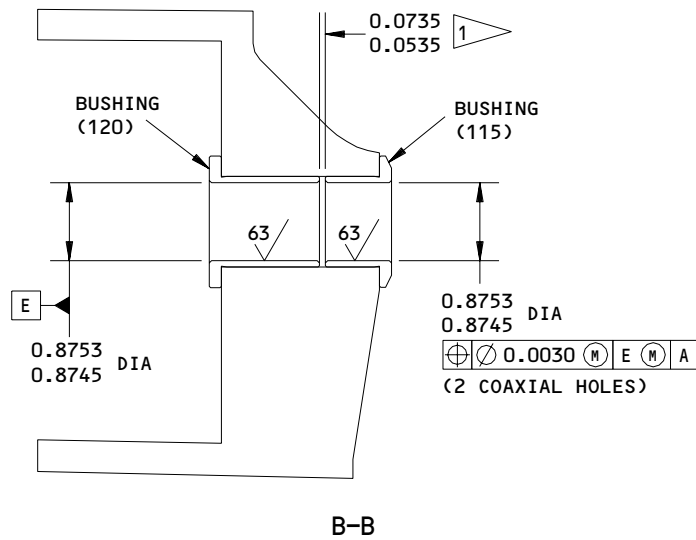
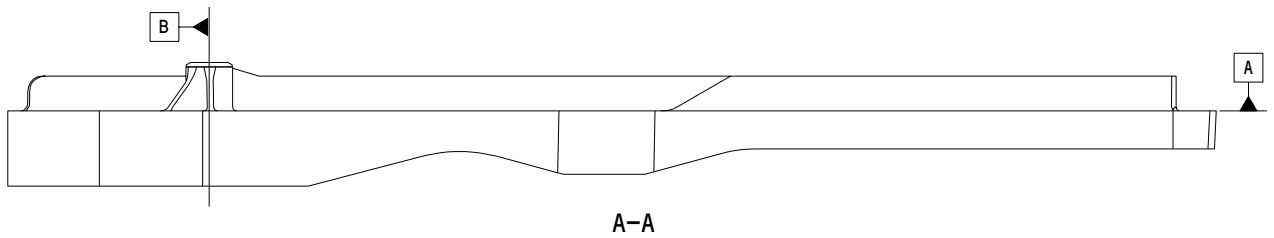
Page 602

Nov 01/99

BOEING
 COMPONENT
 MAINTENANCE MANUAL



113T3133-401 SHOWN
 113T3133-402 OPPOSITE



125/ ALL MACHINED SURFACES UNLESS SHOWN DIFFERENTLY

BREAK ALL SHARP EDGES

ITEM NUMBERS REFER TO IPL FIG. 8

ALL DIMENSIONS ARE IN INCHES

1 FILL THE SPACE WITH BMS 5-95 SEALANT

113T3133-401,-402
 Rib Assembly Repair
 Figure 601

57-53-51

REPAIR 1-2

Page 603

Nov 01/99

01.1

RIB - REPAIR 1-3

131T3133-403, -404

1. General

- A. This procedure has the data necessary to repair and refinish the rib (125, 130).
- B. Refer to the Standard Overhaul Practices Manual (SOPM) for details of the SOPM chapters identified in this procedure.
- C. Refer to the REPAIR - GENERAL (57-53-51/601, REPAIR - GENERAL) for the Standard True Position Dimensioning Symbols shown in the repair.
- D. Refer to IPL Fig. 8 for item numbers.

2. Rib Repair (Fig. 601, 602)

A. References

- (1) SOPM 20-20-02, Penetrant Methods of Inspection

B. Procedure

- (1) Machine the worn or damaged hole for the bushings (115, 120), as necessary, to remove defects, cracks, and/or corrosion up the the repair limit shown in Fig. 601.

NOTE: If necessary for dimensioning, use a drill bit with a diameter less than 0.2500 inch and drill out the rivet in the K-hole on the rib (125, 130).

- (2) Break all sharp edges.
- (3) Do a penetrant check as shown in SOPM 20-20-02.
- (4) Shot peen the hole.
- (5) Make the oversize bushing:
 - (a) Make the oversize bushing for bushing (115, 120) as shown in Fig. 602 and in the following instructions:
 - 1) Bushing material:
 - a) 15-5PH CRES or 17-4PH CRES
Heat treat 180-200 ksi
 - 2) Break all sharp edges as shown in Fig. 602.

57-53-51

REPAIR 1-3

01.1

Page 601

Nov 01/04

- 3) Apply cadmium or zinc-nickel plate to the oversize bushing (115, 120).
- 4) Be sure the interference between the bushing outside diameter and the oversize hole inside diameter is as shown in Fig. 602.
- (6) Install the oversize bushing on the rib (125, 130) as shown in REPAIR 1-2.

3. Rib Refinish

A. References

- (1) SOPM 20-20-02, Penetrant Methods of Inspection

B. Procedure

- (1) Chromic acid anodize and apply BMS 10-11, type 1 primer (F-18.13). Do not apply primer in holes for bushings.
- (2) Apply BMS 10-60 enamel (SRF-14.9813). Do not apply enamel in holes for bushings.

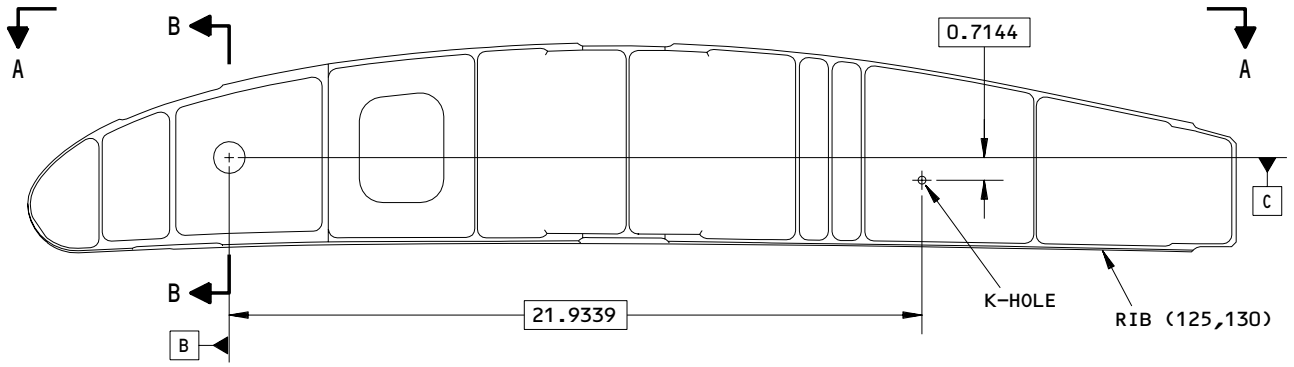
57-53-51

REPAIR 1-3

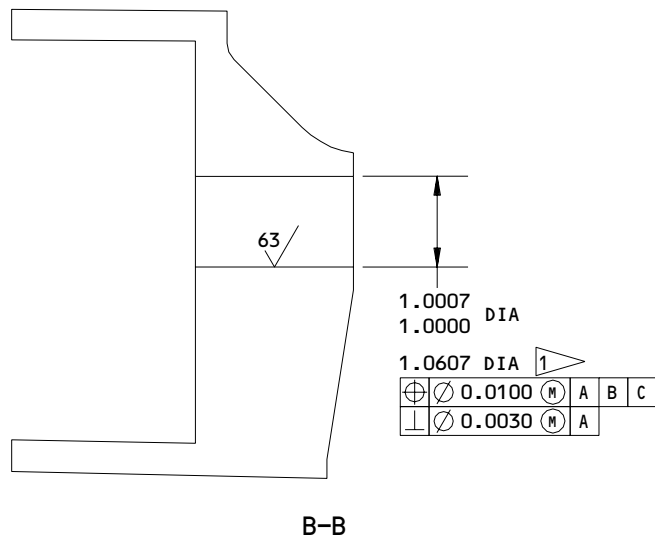
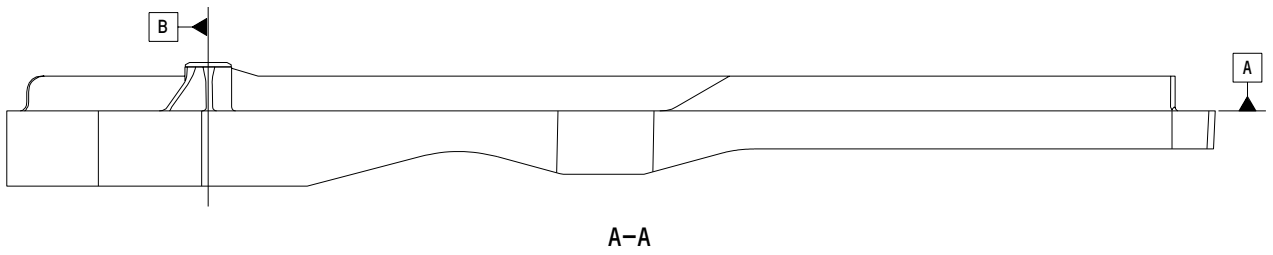
01.1

Page 602

Nov 01/99



113T3133-403 SHOWN
 113T3133-404 OPPOSITE



125/ ALL MACHINED SURFACES UNLESS SHOWN DIFFERENTLY

BREAK ALL SHARP EDGES

ITEM NUMBERS REFER TO IPL FIG. 8

ALL DIMENSIONS ARE IN INCHES

1 REPAIR LIMIT

113T3133-403,-404
 Rib Repair
 Figure 601

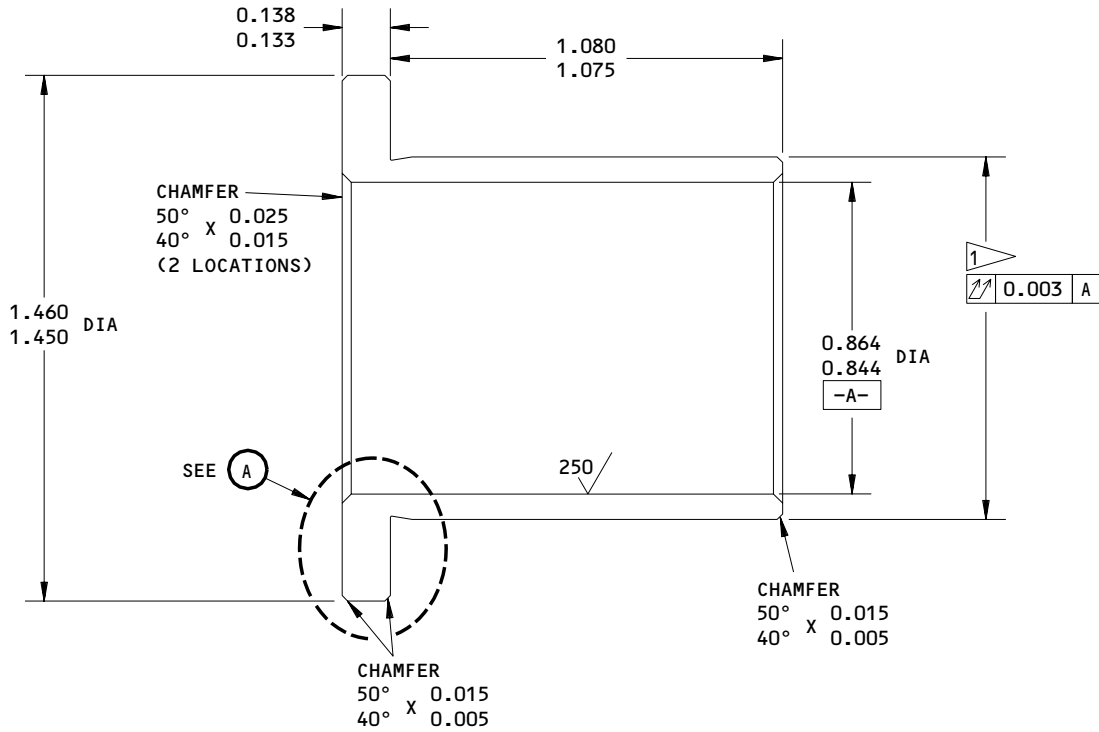
57-53-51

REPAIR 1-3

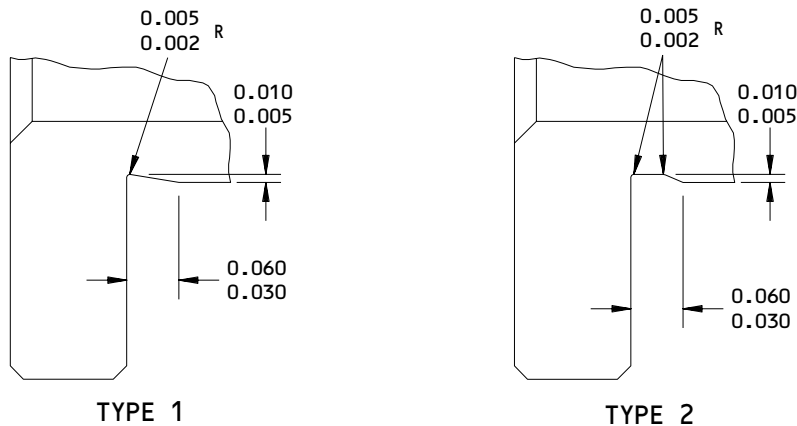
Page 603

Nov 01/99

01.1



OVERSIZE REPLACEMENT FOR BUSHING (120)



(A)

1 AFTER PLATING, THE OUTSIDE DIAMETER OF THE BUSHING IS EQUAL TO THE INSIDE DIAMETER OF THE LUG HOLE PLUS THE INTERFERENCE OF 0.0007-0.0019

63/ ALL MACHINED SURFACES UNLESS SHOWN DIFFERENTLY

BREAK ALL SHARP EDGES

ITEM NUMBERS REFER TO IPL FIG. 8

ALL DIMENSIONS ARE IN INCHES

**Oversize Bushing Details
 Figure 602**

57-53-51

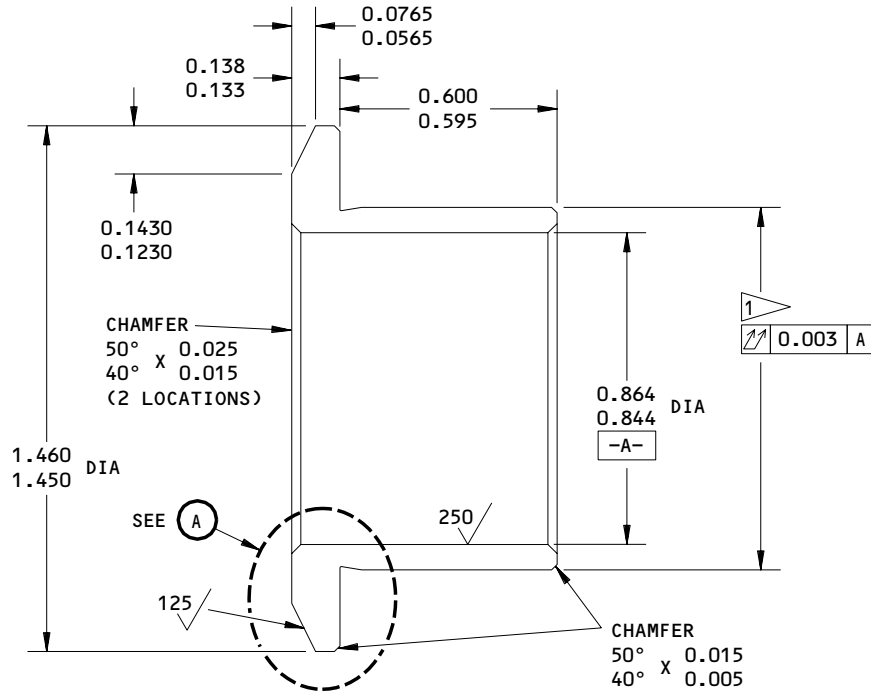
REPAIR 1-3

Page 604

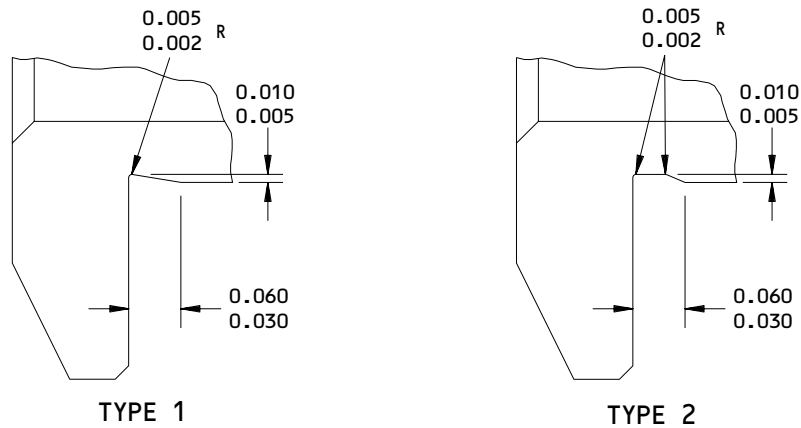
Nov 01/99

01.1

BOEING
 COMPONENT
 MAINTENANCE MANUAL



OVERSIZE REPLACEMENT FOR BUSHING (115)



(A)

1 AFTER PLATING, THE OUTSIDE DIAMETER OF THE BUSHING IS EQUAL TO THE INSIDE DIAMETER OF THE LUG HOLE PLUS THE INTERFERENCE OF 0.0007-0.0019

63 ALL MACHINED SURFACES UNLESS SHOWN DIFFERENTLY

BREAK ALL SHARP EDGES

ITEM NUMBERS REFER TO IPL FIG. 8

ALL DIMENSIONS ARE IN INCHES

Oversize Bushing Details
 Figure 603

57-53-51

REPAIR 1-3

Page 605

Nov 01/99

01.1

FITTING ASSEMBLY – REPAIR 2-1

113T3158-7, -8, -13, -14

NOTE: Refer to REPAIR-GEN for a list of applicable standard practices. Refer to IPL Fig. 1 for item numbers.

1. Bushing Replacement (490, 491) (Fig. 601)

- A. Remove the old bushings.
- B. If you find defects on the hole surface, refer to par. 2 for repair instructions.
- C. Install replacement bushings by the shrink-fit method fo SOPM 20-50-03.
- D. Machine bores of bushings to design dimensions and finish.
- E. Clean and coat interior of bore, but not the bushing bore, with MIL-C-11796, Class 1, corrosion preventive compound per SOPM 20-41-03.

2. Hole for Bushing (Fig. 601)

- A. Machine the hole as required, within repair limits, to remove defects.
- B. Refinish per par. 3.
- C. Make oversize bushings (Fig. 602, 603) as necessary to adjust for material removed in step A.
- D. Install the bushings per par. 1.C., D. above.

3. Refinish

- A. Fitting (492, 493) -- Chromic acid anodize sulfuric acid anodize (F-17.05). Apply BMS 10-11, type 1 primer (F-20.03), but keep the primer from bushing holes to a depth of 0.50-0.55 inch. Material: Al alloy.

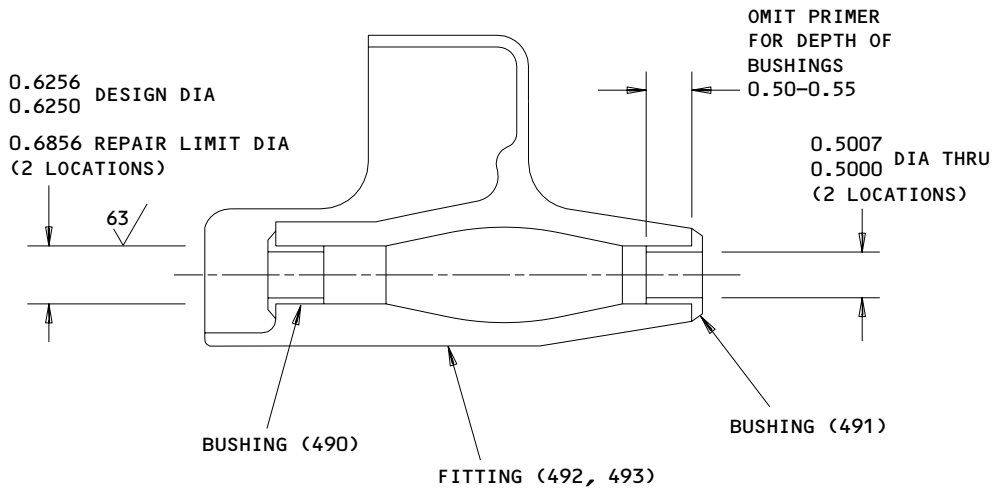
57-53-51

REPAIR 2-1

01.1

Page 601

Jul 01/01



ITEM NUMBERS REFER TO IPL FIG. 1
ALL DIMENSIONS ARE IN INCHES

Bushing Replacement
Figure 601

119920

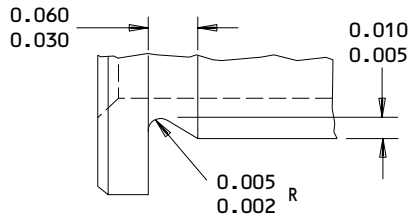
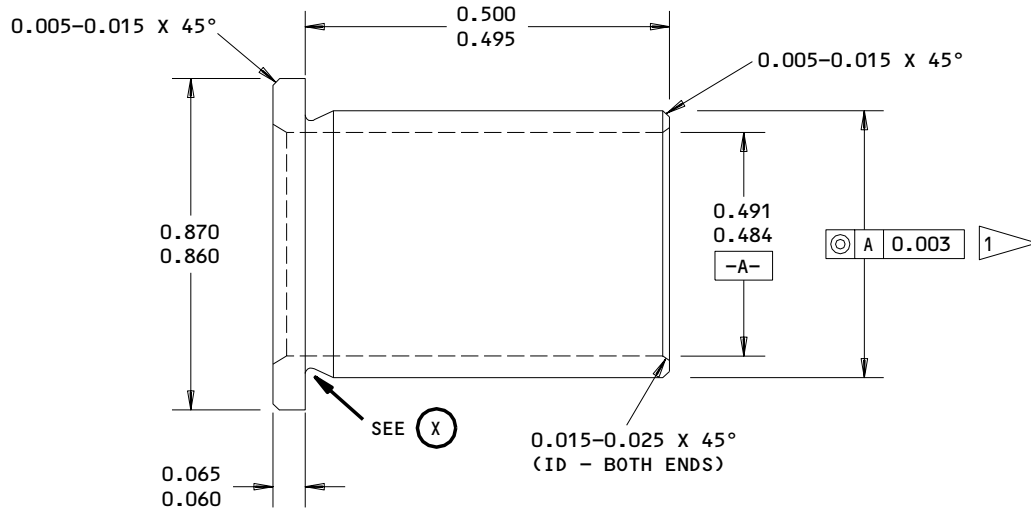
57-53-51

REPAIR 2-1

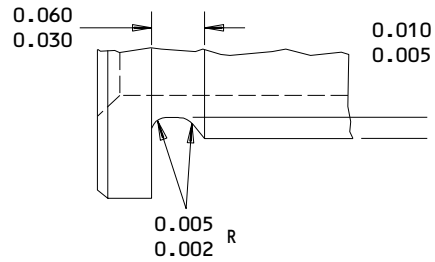
01.1

Page 602

Jul 01/01



TYPE 1



TYPE 2

UNDERCUT TYPE 1 OR TYPE 2 OPTIONAL



FINISH DIA (REPAIR DIA OF FITTING PLUS 0.0005-0.0017 INTERFERENCE)

63/ ALL MACHINED SURFACES

ANGULAR TOLERANCE: ±0.5 DEG

MATERIAL: 15-5PH CRES, 180-200 KSI

FINISH: CADMIUM PLATE PER SOPM 20-42-05, TYPE 2, CLASS 2, PLATING IN BORE OPTIONAL

ALL DIMENSIONS ARE IN INCHES

DIMENSIONS APPLY AFTER PLATING

REPLACEMENT BUSHING FOR BUSHING (490)
 Oversize Bushing Details
 Figure 602

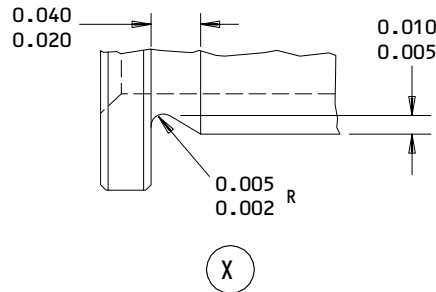
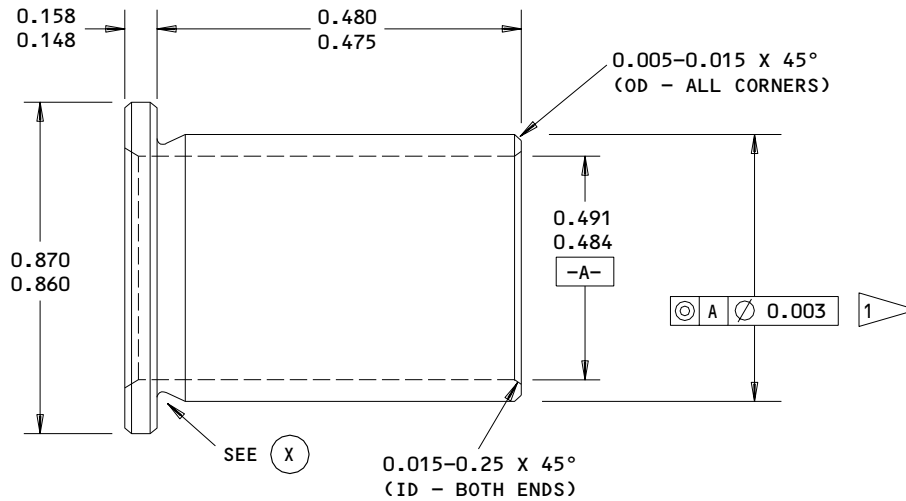
57-53-51

REPAIR 2-1

01.1

Page 603

Jul 01/01



1 FINAL BUSHING OUTSIDE DIA EQUALS
 REPAIR DIA OF FITTING PLUS
 0.0005-0.0017 INTERFERENCE

MAGNETIC PARTICLE INSPECT PER 20-20-01,
 CLASS B

63 ALL MACHINED SURFACES

ANGULAR TOLERANCE: ±1.0 DEG

MATERIAL: 15-5PH CRES PER AMS 5659
 SOLUTION TREATED, 180-220 KSI

FINISH: CADMIUM PLATE TO MEET THE
 REQUIREMENTS OF QQ-P-416, TYPE 2,
 CLASS 2 PER 20-42-05

ALL DIMENSIONS ARE IN INCHES

DIMENSIONS APPLY AFTER PLATING

REPLACEMENT BUSHING FOR BUSHING (491)
Oversize Bushing Details
Figure 603

57-53-51

REPAIR 2-1

01.1

Page 604

Jul 10/85

MISCELLANEOUS PARTS REFINISH – REPAIR 3-1

1. Repair of these parts is only replacement of the original finish.

IPL FIG. & ITEM	MATERIAL	FINISH
<u>Fig. 1</u>		
Washer (487)	15-5PH CRES, 180-200 KSI	Cadmium plate, apply BMS 10-11, Type 1 primer (F-16.01).
Strip (127,130,184, 196,208)	Al alloy	Chemical treat and apply BMS 10-11, Type 1 primer (F-18.06) all over.
Strip (37,82)	Al alloy	Chromic acid anodize and apply BMS 10-11, Type 1 primer (F-18.13).
Retainer (25,28,55, 58,76,79,100,103, 121A,124A,139,163A, 166A,169,172)	All alloy	Chromic acid anodize and apply BMS 10-11, Type 1 primer (F-18.13).

Refinish Details
Figure 601

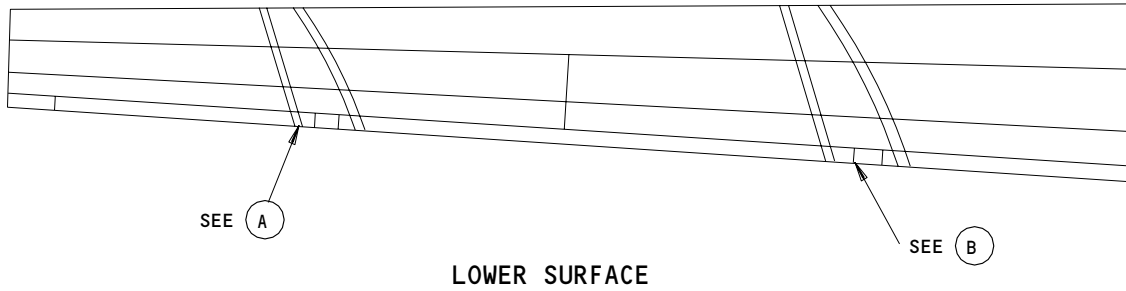
57-53-51

REPAIR 3-1

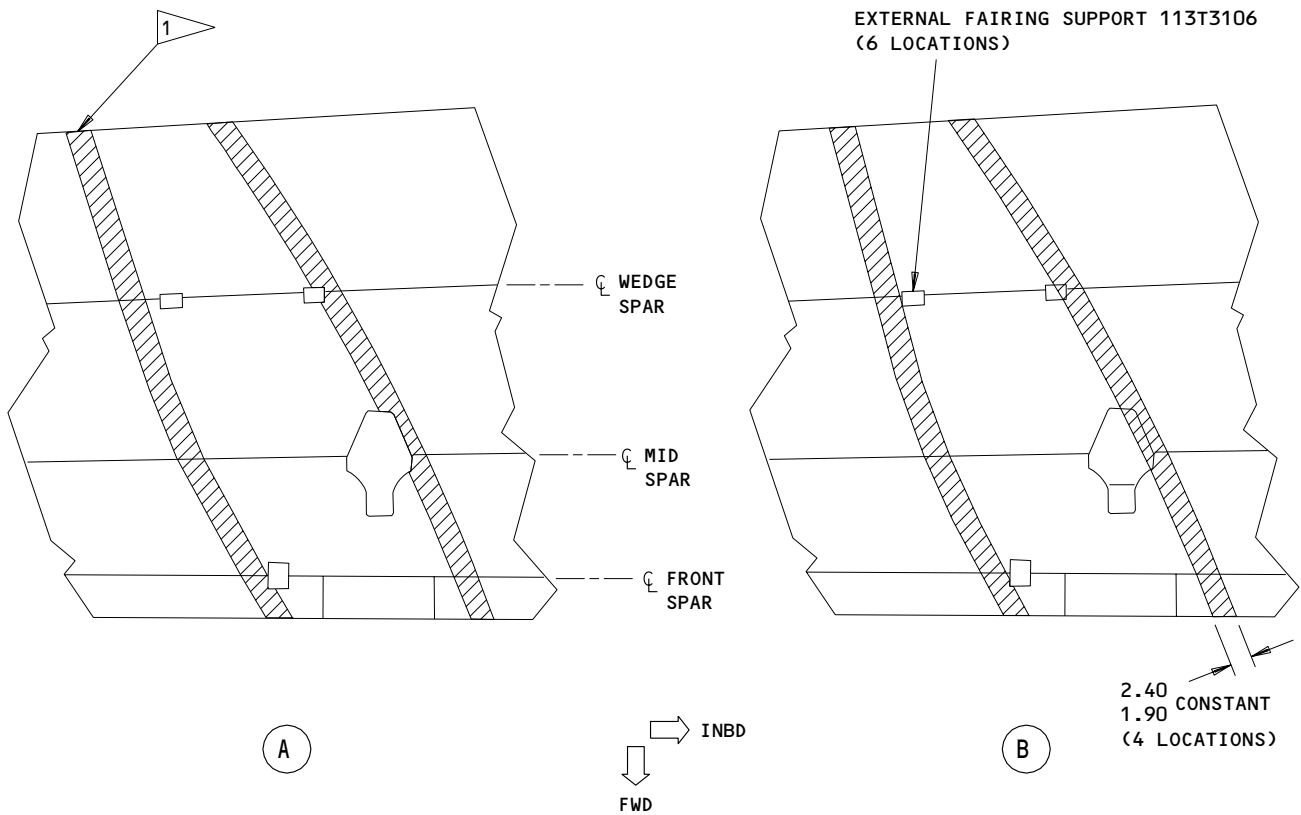
01.1

Page 601

Nov 01/05



LOWER SURFACE



1 APPLY TEFLON COATING (SRF-14.9625) ON SHADED AREAS

ALL DIMENSIONS ARE IN INCHES

Lower Surface Refinish
 Figure 602

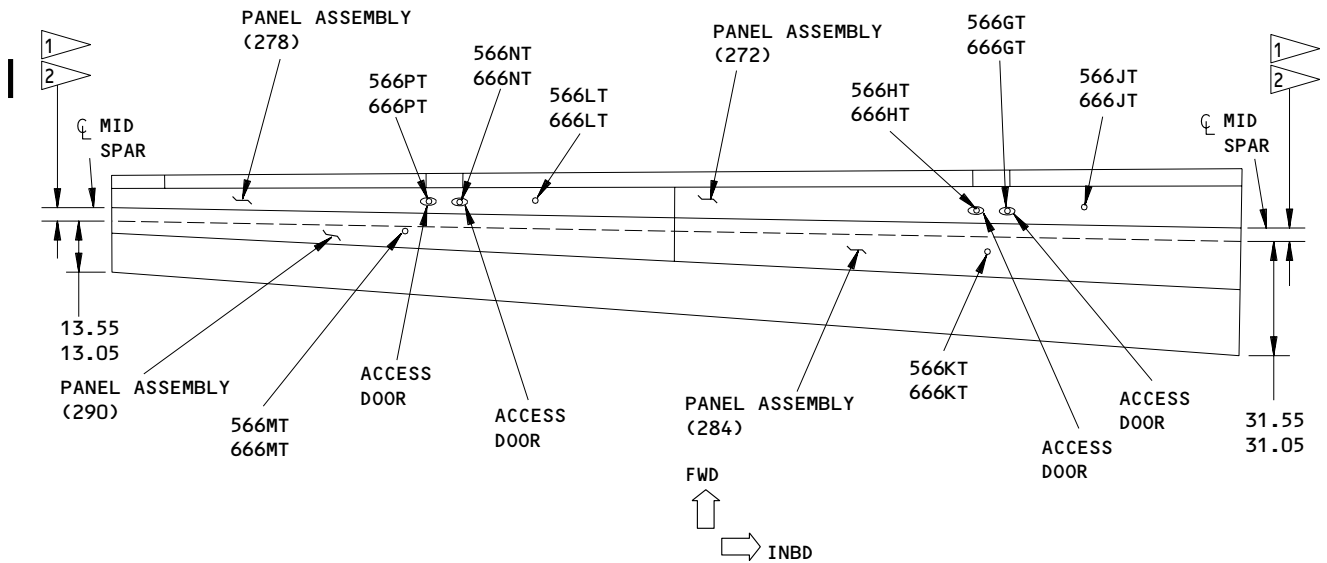
57-53-51

REPAIR 3-1

01.101

Page 602

Nov 01/05



OUTBOARD TRAILING EDGE FLAP SUPPORT ASSEMBLY

- 1 APPLY TEFLON GRAY (F-14.9625) FULL LENGTH EXCEPT 113T3100-85,-86,-99H
- 2 APPLY TEFLON WHITE (F-14.9624) FULL LENGTH 113T3100-85,-86,-99H

STENCIL NOTE:

FIRST NUMBER IS FOR LEFT-HAND SIDE AND SECOND IS RIGHT-HAND SIDE USING BMS 10-11, TYPE 2, BAC701 BLACK ENAMEL 1/2 INCH HIGH

113T3100-1SP,-2SP,-3SP,-4SP,-41,-42,-59SP,-60SP,-61 THRU -64,-69SP,-70SP,-73SP,-74SP,-75 THRU -78,-79SP,-80SP,-81 THRU -90,-91SP THRU -96SP,-97G,-98G,-98H,-99G,-99H,-100G,-100H,-101G,-102G

ITEM NUMBERS REFER TO IPL FIG. 1
 ALL DIMENSIONS ARE IN INCHES

Upper Surface Refinish and Interior Stencil
 Figure 603

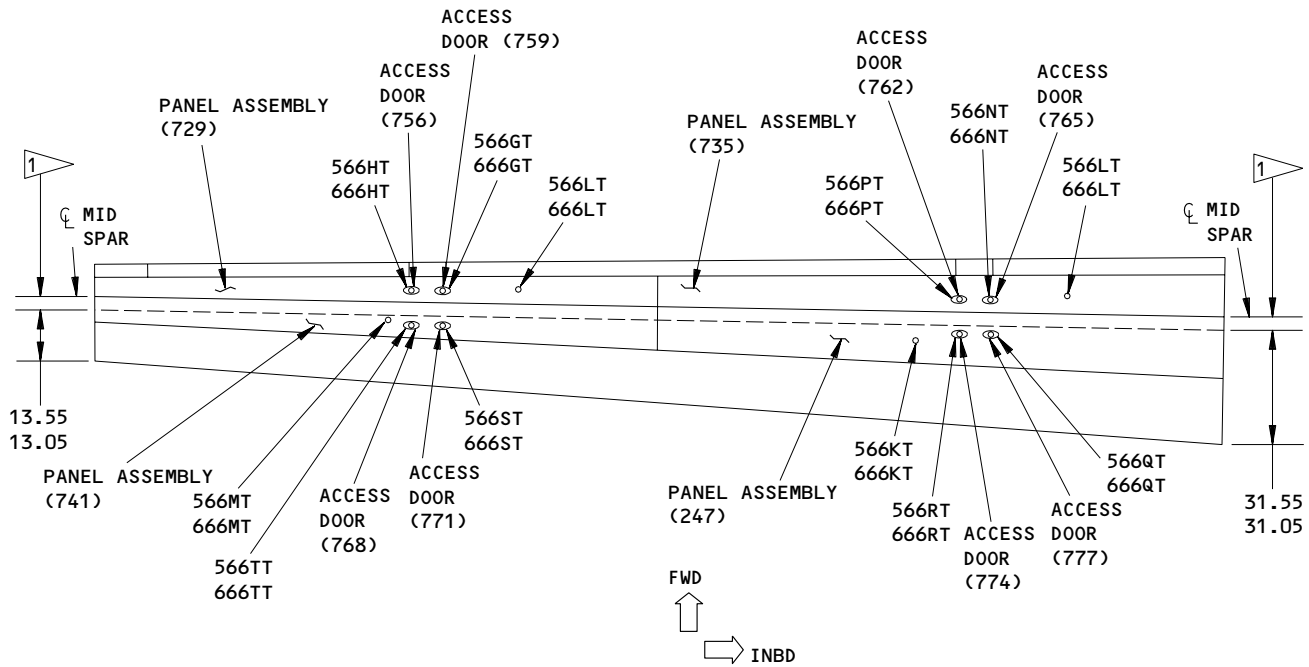
57-53-51

REPAIR 3-1

01.1

Page 603

Nov 01/05



OUTBOARD TRAILING EDGE FLAP SUPPORT ASSEMBLY

STENCIL NOTE:
 FIRST NUMBER IS FOR LEFT-HAND SIDE AND
 SECOND IS RIGHT-HAND SIDE USING BMS 10-11,
 TYPE 2, BAC701 BLACK ENAMEL 1/2 INCH HIGH

1 APPLY TEFLON GRAY (SRF-14.9625) FULL LENGTH

ITEM NUMBERS REFER TO IPL FIG. 6
 ALL DIMENSIONS ARE IN INCHES

113T3100-401G,-402G,-451G,-452G
 Upper Surface Refinish and Interior Stencil
 Figure 604

57-53-51

REPAIR 3-1
 Page 604
 Nov 01/05

01.101

RIB ASSEMBLY – REPAIR 4-1

113T3134-401, -402

1. General

- A. This procedure has the data necessary to replace the bushings (160) on the rib assembly (165, 170).
- B. Refer to the Standard Overhaul Practices Manual (SOPM) for details of the SOPM chapters identified in this procedure.
- C. Refer to the REPAIR – GENERAL (57-53-51/601, REPAIR – GENERAL) for the Standard True Position Dimensioning Symbols shown in the repair.
- D. Refer to IPL Fig. 7 for item numbers.

| 2. Bushings (160) Replacement (Fig. 601)

A. Consumable Materials

NOTE: Equivalent materials can be used.

- (1) A00247 Sealant -- BMS 5-95 (SOPM 20-60-04)

B. References

- (1) SOPM 20-60-04, Miscellaneous Materials
- (2) SOPM 20-50-19, General Sealing

C. Procedure

- (1) Remove the damaged bushing (160).
- (2) If you find corrosion or damage on the rib (165, 170), see REPAIR 4-2 for repair instructions.
- (3) Install the new bushing (160) on the rib (165, 170). Use the shrink fit method (SOPM 20-50-03) with BMS 5-95 sealant (SOPM 20-50-19).
- (4) Machine the inside diameter of the new bushing (160) to dimensions specified in Fig. 601.

NOTE: If necessary for dimensioning, use a drill bit with a diameter less than 0.2500 inch and drill out the rivet in the K-hole on the rib (165, 170).

- (5) Break all sharp edges.

57-53-51

REPAIR 4-1

01.1

Page 601

Nov 01/04

- (6) Fill the cavity between the bushings (160) with BMS 5-95 sealant (SOPM 20-50-19).
- (7) If you removed the rivet in the K-hole in a previous step, install a new rivet BACR15FT8D* in the K-hole.

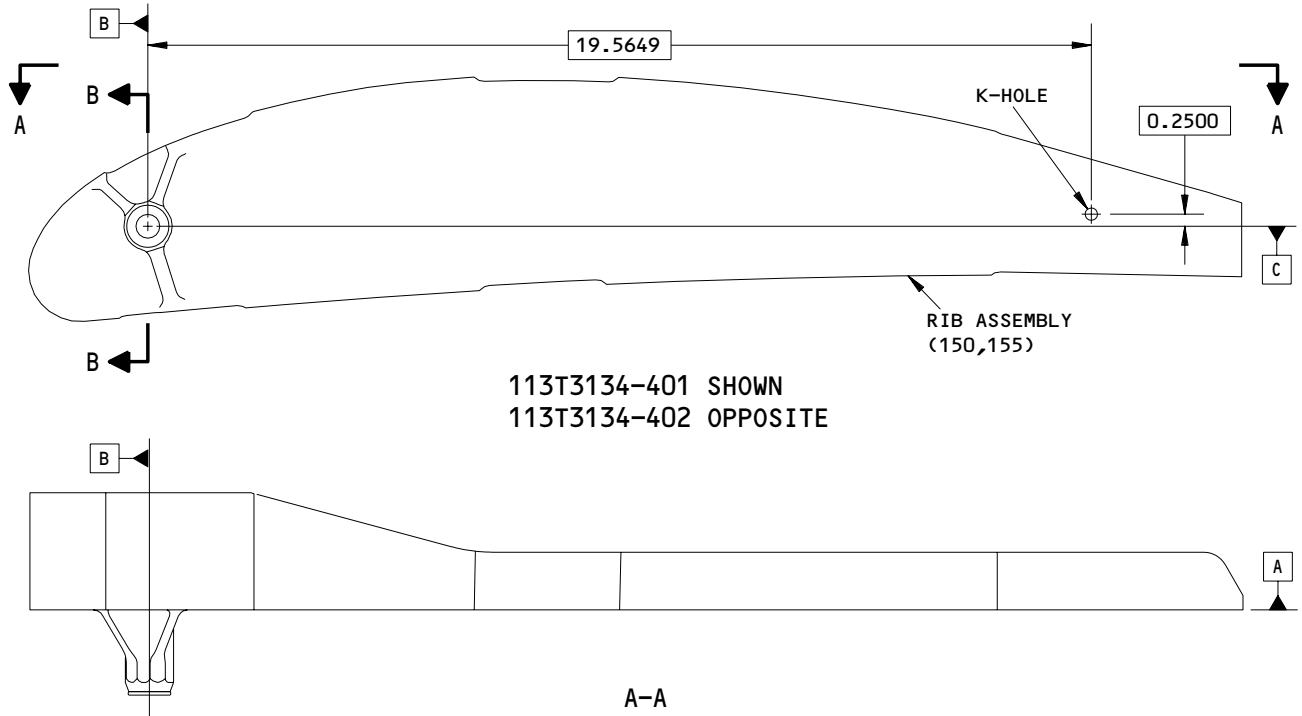
57-53-51

REPAIR 4-1

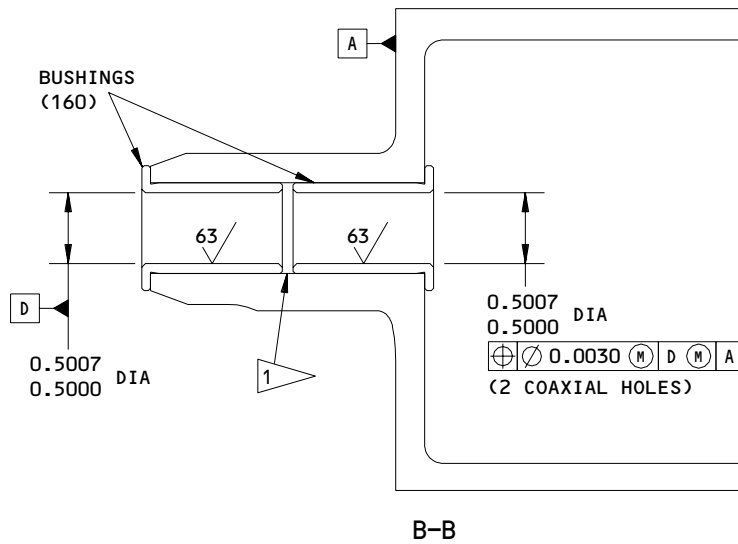
01.1

Page 602

Nov 01/99



113T3134-401 SHOWN
 113T3134-402 OPPOSITE



125/ ALL MACHINED SURFACES UNLESS SHOWN
 DIFFERENTLY

BREAK ALL SHARP EDGES

ITEM NUMBERS REFER TO IPL FIG. 7

ALL DIMENSIONS ARE IN INCHES

1 FILL THE SPACE WITH BMS 5-95 SEALANT

113T3134-401,-402
 Rib Assembly Repair
 Figure 601

57-53-51

REPAIR 4-1

01.1

Page 603

Nov 01/99

RIB - REPAIR 4-2

113T3134-403, -404

1. General

- A. This procedure has the data necessary to repair and refinish the rib (150, 155).
- B. Refer to the Standard Overhaul Practices Manual (SOPM) for details of the SOPM chapters identified in this procedure.
- C. Refer to the REPAIR - GENERAL (57-53-51/601, REPAIR - GENERAL) for the Standard True Position Dimensioning Symbols shown in the repair.
- D. Refer to IPL Fig. 7 for item numbers.

2. Rib Repair (Fig. 601, 602)

A. References

- (1) SOPM 20-20-02, Penetrant Methods of Inspection

B. Procedure

- (1) Machine the worn or damaged hole for the bushings (160), as necessary, to remove defects, cracks, and/or corrosion up the repair limit shown in Fig. 601.

NOTE: If necessary for dimensioning, use a drill bit with a diameter less than 0.2500 inch and drill out the rivet in the K-hole on the rib (165, 170).

- (2) Break all sharp edges.
- (3) Do a penetrant check as shown in SOPM 20-20-02.
- (4) Shot peen the hole.
- (5) Make the oversize bushing:
 - (a) Make the oversize bushing for bushing (160) as shown in Fig. 602 and in the following instructions:
 - 1) Bushing material:
 - a) 15-5PH CRES or 17-4PH CRES
Heat treat 180-200 ksi
 - 2) Break all sharp edges as shown in Fig. 602.

57-53-51

REPAIR 4-2

01.1

Page 601

Nov 01/99

- 3) Apply cadmium or zinc-nickel plate to the oversize bushing (160).
 - 4) Be sure the interference between the bushing outside diameter and the oversize hole inside diameter is as shown in Fig. 602.
- (6) Install the oversize bushing on the rib (165, 170) as shown in REPAIR 4-1.

3. Rib Refinish

A. Consumable Materials

NOTE: Equivalent materials can be used.

- (1) C00468 Primer -- BMS 10-11, Type 1 (SOPM 20-60-02)

B. References

- (1) SOPM 20-41-01, Decoding Table for Boeing Finish Codes

C. Procedure

- (1) Boric acid-sulfuric acid anodize (F-17.31). Apply BMS 10-11, type 1 primer (F-20.02).

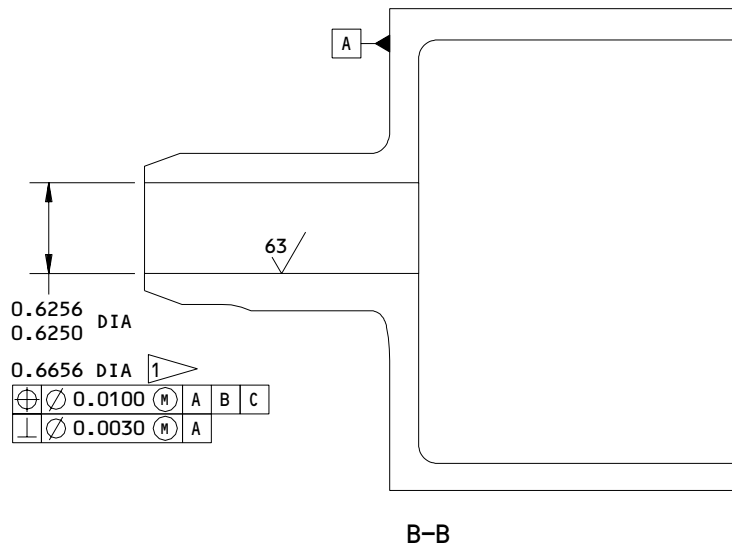
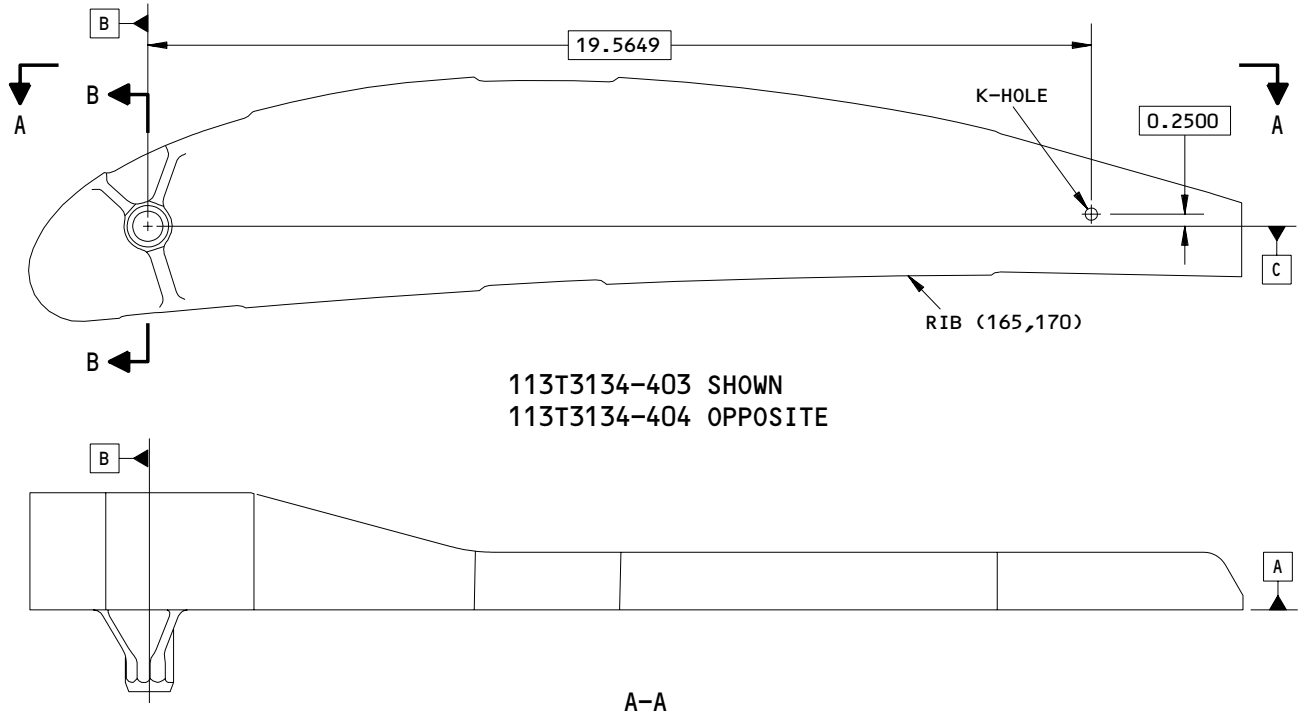
57-53-51

REPAIR 4-2

01.1

Page 602

Nov 01/99



125/ ALL MACHINED SURFACES UNLESS SHOWN DIFFERENTLY

BREAK ALL SHARP EDGES

ITEM NUMBERS REFER TO IPL FIG. 7

ALL DIMENSIONS ARE IN INCHES

1 REPAIR LIMIT

113T3134-403,-404
 Rib Repair
 Figure 601

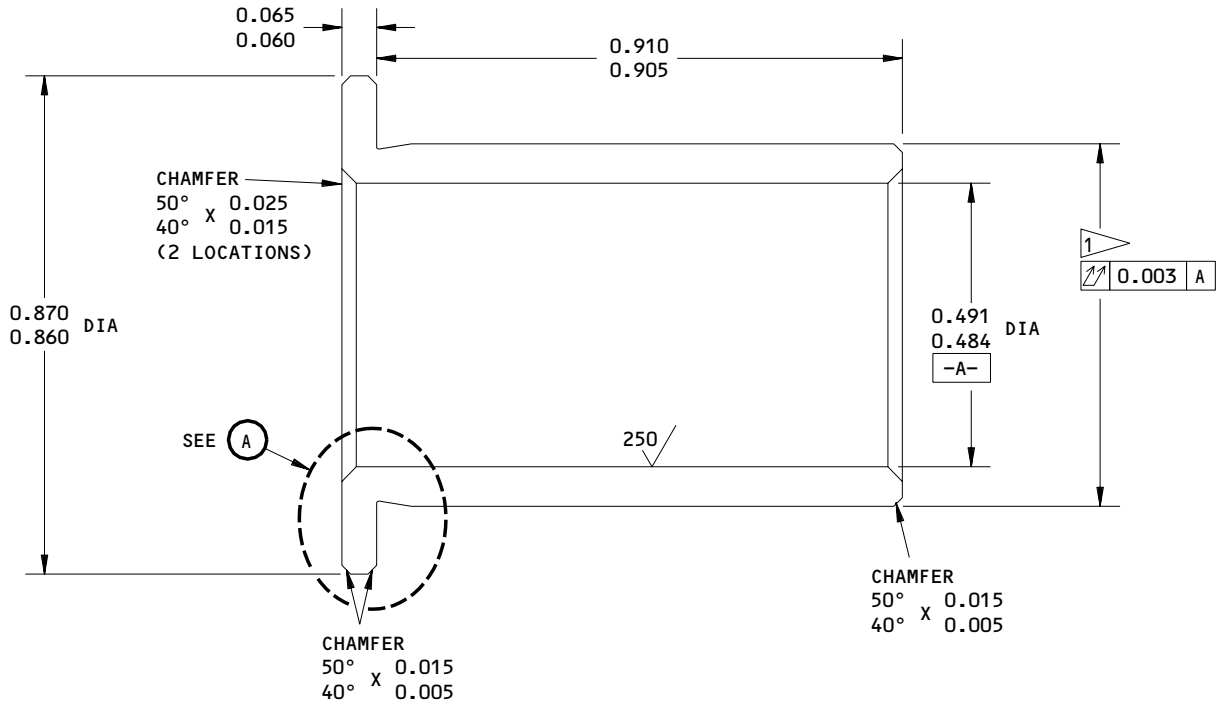
57-53-51

REPAIR 4-2

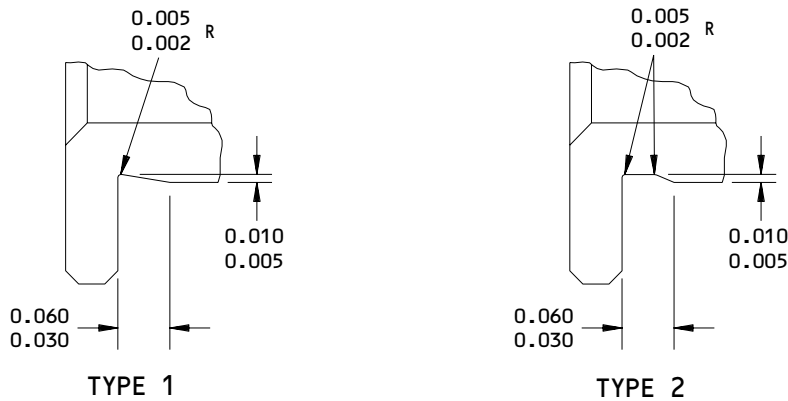
Page 603

Nov 01/99

01.1



OVERSIZE REPLACEMENT FOR BUSHING (160)



(A)

1 AFTER PLATING, THE OUTSIDE DIAMETER OF THE BUSHING IS EQUAL TO THE INSIDE DIAMETER OF THE LUG HOLE PLUS THE INTERFERENCE OF 0.0007-0.0019

63/ ALL MACHINED SURFACES UNLESS SHOWN DIFFERENTLY

BREAK ALL SHARP EDGES

ITEM NUMBERS REFER TO IPL FIG. 7

ALL DIMENSIONS ARE IN INCHES

Oversize Bushing Details
 Figure 602

57-53-51

REPAIR 4-2

Page 604

Nov 01/99

01.1

TRAILING EDGE WEDGE INSTALLATION – REPAIR 5-1

113T3160-1, -2, -33, -34, -67, -68, -401, -402
113T3182-1, -2

1. General

- A. This procedure has the data necessary to replace the Outboard Flap Trailing Edge Wedge Installation (319, IPL Fig. 1) and (825, IPL Fig. 6).
- B. Refer to the Standard Overhaul Practices Manual (SOPM) for details of the SOPM chapters identified in this procedure.
- C. Refer to IPL Fig. 1 and 12 for item numbers, unless stated differently.

2. Trailing Edge Wedge Replacement

A. Consumable materials

NOTE: Equivalent materials can be used.

- (1) A00247 Sealant -- BMS 5-95 (SOPM 20-50-11)

B. Equipment

NOTE: Equivalent substitutes may be used.

- (1) A57002-1 -- Outboard T.E. Wedge Replacement Equipment

C. References

- (1) SOPM 20-60-04, Miscellaneous Materials
- (2) SOPM 20-50-11, Application of Aerodynamic Smoothing Sealant

D. Procedure

- (1) Trailing Edge Wedge Installation (319, IPL Fig. 1) – Disassembly
 - (a) Mount the outboard trailing edge flap assembly (1, IPL Fig. 1) in a suitable holding fixture.
 - (b) Locate rigging bars A57002 to the outboard trailing edge flap assembly (1, IPL Fig. 1).
 - (c) Establish the location of the trailing edge wedge installation (319, IPL Fig. 1) using rigging bars A57002.

57-53-51

REPAIR 5-1

01.1

Page 601

Nov 01/04

- (d) Remove rigging bars A57002 and retain for Trailing Edge Wedge installation.

NOTE: Do not adjust the rigging bars until the new Trailing Edge Wedge has been installed.
- (e) Remove bolts (15, 20, IPL Fig. 4) from the aft edge of the upper aft panel assemblies (284, 290, IPL Fig. 1).
- (f) Remove bolt (13, IPL Fig. 1) from the outboard end of the trailing edge wedge installation (319, IPL Fig. 1), seal retainer (25, IPL Fig. 1) and rib installation (430, IPL Fig. 1).
- (g) Remove bolt (88 or 112 and 154, IPL Fig. 1) from the inboard end of the trailing edge wedge installation (319, IPL Fig. 1) and seal retainer (139 or 140 and 169, IPL Fig. 1).
- (h) Remove the bolts from the forward end of upper aft panel assembly (284, 290, IPL Fig. 1) and the mid spar installation (406, IPL Fig. 1).
- (i) Remove the bolts from the upper aft panel assembly (284, 290, IPL Fig. 1), the inboard rib installation (494, IPL Fig. 1) and the outboard rib installation (430, IPL Fig. 1).
- (j) Remove bolts from the upper aft panel assemblies (284, 290, IPL Fig. 1) and the outboard support rib installation (557, IPL Fig. 1), splice installation (590, IPL Fig. 1) and the inboard support rib installation (614, IPL Fig. 1).
- (k) Remove the upper aft panel assemblies (284, 290, IPL Fig. 1).
- (l) Remove rivet (48, IPL Fig. 4) and bolt (7, IPL Fig. 4) from the aft edge of lower aft panel assembly (311, 317, IPL Fig. 1).
- (m) Remove trailing edge wedge installation (319, IPL Fig. 1).
- (2) Trailing Edge Wedge Installation (825, IPL Fig. 6) – Disassembly
 - (a) Mount the outboard trailing edge flap assembly (1A, IPL Fig. 6) in a suitable holding fixture.
 - (b) Locate rigging bars A57002 to the outboard trailing edge flap assembly (1A, IPL Fig. 6).
 - (c) Establish the location of the trailing edge wedge installation (825, IPL Fig. 6) using rigging bars A57002.

57-53-51

REPAIR 5-1

01.101 Page 602

Mar 01/04

**BOEING**
COMPONENT
MAINTENANCE MANUAL

- (d) Remove rigging bars A57002 and retain for Trailing Edge Wedge installation.

NOTE: Do not adjust the rigging bars until the new Trailing Edge Wedge has been installed.
 - (e) Remove bolts (10, 15, IPL Fig. 12) from the aft edge of the upper aft panel assemblies (741, 747, IPL Fig. 12).
 - (f) Remove bolt (15, IPL Fig. 6) from the outboard end of the trailing edge wedge installation (825, IPL Fig. 6) and seal retainer (42, IPL Fig. 6).
 - (g) Remove bolt (10, 15, 20, IPL Fig. 7) from the upper aft panel assembly (741 IPL Fig. 6) and the outboard end rib installation (1A, IPL Fig. 7).
 - (h) Remove bolt (309, IPL Fig. 6) from the inboard end of the trailing edge wedge installation (825, IPL Fig. 6) and seal retainer (330, IPL Fig. 6).
 - (i) Remove rivet (84, IPL Fig. 6) from the trailing edge wedge installation (825, IPL Fig. 6).
 - (j) Remove bolt (81, 237, IPL Fig. 6) and upper panel assembly (270, IPL Fig. 6).
 - (k) Remove bolts (465, 594, IPL Fig. 6), bolts (10, IPL Fig. 11) and bolts (10, IPL Fig. 9) from the upper aft panel assemblies (741, 747, IPL Fig. 6).
 - (l) Remove upper aft panel assemblies (741,747, IPL Fig. 6).
 - (m) Remove rivets (60, IPL Fig. 12) bolts (45, 50, IPL Fig. 12) and collars (55, IPL Fig. 12) and remove the trailing edge wedge installation (825, IPL Fig. 6).
- (3) Trailing Edge Wedge Installation (319, IPL Fig. 1) – Assembly
- (a) Temporarily assemble the upper aft panel assemblies (284, 290, IPL Fig. 1) and the trailing edge wedge installation (319, IPL Fig. 1) to the outboard trailing edge flap assembly (1, IPL Fig. 1).
 - (b) Locate rigging bars A57002 to the outboard trailing edge flap assembly (1, IPL Fig. 1).
 - (c) Drill fastener holes through the lower aft panel assemblies (311, 317, IPL Fig. 1) and the trailing edge wedge installation (319, IPL Fig. 1) for rivets (48, IPL Fig. 4) and bolts (7, IPL Fig. 4).

57-53-51

REPAIR 5-1

01.101

Page 603

Mar 01/04

- (d) Drill fastener holes through the upper aft panel assembly (284, 290, IPL Fig. 1) and the trailing edge wedge installation (319, IPL Fig. 1).
- (e) Locate seal retainer (25, IPL Fig. 1) to the trailing edge wedge installation (319, IPL Fig. 1) and drill fastener holes for bolts (13, IPL Fig. 1).
- (f) Drill fastener holes through the trailing edge wedge installation (319, IPL Fig. 1) and the rib installation (430, IPL Fig. 1).
- (g) Locate seal retainer (139 or 140 and 169, IPL Fig. 1) to the trailing edge wedge installation (319, IPL Fig. 1) and drill fastener holes for bolts (88 or 112 and 154, IPL Fig. 1).
- (h) Remove rigging bars A57002 and upper aft panel assembly (284, IPL Fig. 1).
- (i) Install rivets (48, IPL Fig. 4) and bolts (7, IPL Fig. 4) through the lower aft panel assembly (31, IPL Fig. 1).
- (j) Temporarily fasten upper aft panel assembly (284, IPL Fig. 1).
- (k) Remove rigging bars A57002 and upper aft panel assembly (290, IPL Fig.1).
- (l) Install rivets (48, IPL Fig. 4) and bolts (7, IPL Fig. 4) through the lower aft panel assembly (317, IPL Fig. 1).
- (m) Permanently install upper aft panel assemblies (284, 290, IPL Fig. 1) using bolts (15, 20, IPL Fig. 4).
- (n) Install seal retainer (25, IPL Fig. 1) using bolts (13, IPL Fig. 1).
- (o) Install seal retainer (139 or 140 and 169 IPL Fig. 1) using bolts (88 or 112 and 154, IPL Fig. 1).
- (p) Apply aerodynamic smoother BMS 5-95 Class B to the gaps of the aft upper panel assemblies (284, 290, IPL Fig. 1) and the trailing edge wedge installation (319, IPL Fig. 1) as shown in SOPM 20-50-11.
- (q) Refinish the outboard trailing edge flap assembly (1, IPL Fig. 1) as shown in REPAIR 3-1.

57-53-51

REPAIR 5-1

01.101

Page 604

Mar 01/04

- (4) Trailing Edge Wedge installation (825, IPL Fig. 6) – Assembly
- (a) Locate and temporarily fasten the upper aft panel assemblies (741, 747, IPL Fig. 6) and the trailing edge wedge installation (825, IPL Fig. 6) to the outboard trailing edge flap assembly (1A, IPL Fig. 6).
 - (b) Locate rigging bars A57002 to the outboard trailing edge flap assembly (1A, IPL Fig. 6).
 - (c) Drill fastener holds through the trailing edge wedge installation (825, IPL Fig. 6) at rivet (60, IPL Fig. 12) and bolt (45, 50, IPL Fig. 12) locations.
 - (d) Drill fastener holes through the trailing edge wedge installation (825, IPL Fig. 6) at rivet (60, IPL Fig. 12) and bolt (45, 50, IPL Fig. 12) locations.
 - (e) Drill fastener holes through upper panel assembly (741, 747, IPL Fig. 6), outboard end rib installation (1A, IPL Fig. 7) and the trailing edge wedge installation (825, IPL Fig. 6).
 - (f) Locate seal retainer (42, IPL Fig. 6) and drill fastener holes through trailing edge wedge installation (825, IPL Fig. 6).
 - (g) Locate seal retainer (330, IPL Fig. 6) and drill fastener holes through trailing edge wedge installation (825, IPL Fig. 6).
 - (h) Drill holes at rivet (84, IPL Fig. 6) locations.
 - (i) Remove rigging bars A57002 and upper aft panel assembly (741, IPL Fig. 6).
 - (j) Install rivets (60, IPL Fig. 12) and bolts (50, IPL Fig. 12) through the trailing edge wedge installation (825, IPL Fig. 6).
 - (k) Temporarily install upper aft panel assembly (741, IPL Fig. 6).
 - (l) Remove rigging bars A57002 and upper aft panel assembly (747, IPL Fig. 6).
 - (m) Install rivets (60, IPL Fig. 12) and bolts (45, 50, IPL Fig. 12) through the trailing edge wedge installation (825, IPL Fig. 6).
 - (n) Permanently install the upper aft panel assemblies (741, 474, IPL Fig. 6) using bolts (10, 15, IPL Fig. 12), bolts (10, 15, 20, IPL Fig. 7), bolts (465, 594, IPL Fig. 6), bolts (10, IPL Fig. 11) and bolts (10, IPL Fig. 9).

57-53-51

REPAIR 5-1

01.1

Page 605

Jul 01/01

- (o) Install rivet (84, IPL Fig. 6) on the trailing edge wedge installation (825, IPL Fig. 6).
- (p) Install upper panel assembly (270, IPL Fig. 6) using bolts 81, 237, IPL Fig. 6).
- (q) Install seal retainer (42, IPL Fig. 6) on the outboard end of trailing edge wedge installation (825, IPL Fig. 6) using bolt (15, IPL Fig. 6).
- (r) Install seal retainer (330, IPL Fig. 6) on the inboard end of the trailing edge wedge installation (825, IPL Fig. 6) using bolt (309, IPL Fig. 6).
- (s) Apply aerodynamic smoother BMS 5-95 Class B to the gaps of the aft upper panel assemblies (741, 747, IPL Fig. 6) and the trailing edge wedge installation (825, IPL Fig. 6) as shown in SOPM 20-50-11.
- (t) Refinish the outboard trailing edge flap assembly (1A, IPL Fig. 6) as shown in REPAIR 3-1.

57-53-51

REPAIR 5-1

01.1

Page 606

Jul 01/01

ASSEMBLY1. Materials

NOTE: Equivalent substitutes may be used.

- A. Adhesive -- Type 60 (Ref 20-50-12)
- B. Compound, Corrosion Preventive -- MIL-C-11796, class 3 (Ref 20-60-02)
- C. Lockwire -- MS20995NC40
- D. Lubricant -- MIL-G-23827 (Ref 20-60-03)
- E. Primer -- BMS 10-11, Type 1 (Ref 20-60-02)
- F. Sealant -- BMS 5-95 (Ref 20-60-04)

2. Assembly

- A. Use standard industry practices for assembly of this unit plus the following steps.
- B. Mount outboard flap assembly in a suitable holding fixture and build up as required.
- C. Install bearing (547, IPL Fig. 1; 75A, IPL Fig. 2; 65A, IPL Fig. 5) washer, (546K, IPL Fig. 1; 74, IPL Fig. 2; 64, IPL Fig. 5), and nut (546, IPL Fig. 1; 73, IPL Fig. 2; 63, IPL Fig. 5) as follows:
 - (1) Apply grease, MIL-G-23827, to bearing (547, IPL Fig. 1; 75A, IPL Fig. 2; 65A, IPL Fig. 5) shank and to bushing (554, 555, IPL Fig. 1; 220, 225, IPL Fig. 2; 210, 215, IPL Fig. 5) bores.
 - (2) Insert bearing (547, IPL Fig. 1; 75A, IPL Fig. 2; 65A, IPL Fig. 5).
 - (3) Assemble washer (546K, IPL Fig. 1; 74, IPL Fig. 2; 64, IPL Fig. 5) and nut (546, IPL Fig. 1; 73, IPL Fig. 2; 63, IPL Fig. 5).
 - (4) Tighten nut (546, IPL Fig. 1; 73, IPL Fig. 2; 63, IPL Fig. 5) within torque range of 1450-1700 pound-inches.
 - (5) Lock nut (546, IPL Fig. 1; 73, IPL Fig. 2; 63, IPL Fig. 5) in place by bend one or more tabs of washer (546K, IPL Fig. 1; 74, IPL Fig. 2; 64, IPL Fig. 5) against flat surface of nut (546, IPL Fig. 1; 73, IPL Fig. 2; 63, IPL Fig. 5).

57-53-51

ASSEMBLY

01.1

Page 701

Nov 01/04

D. Installation of laminated shims (IPL Fig. 1)

(1) Delaminate the following shims, as required, so that maximum unshimmed gap is 0.005 inch before fastener installation.

(a) Shim (40) common to seal retainer (25).

(b) Shim (148) common to shim (145).

(c) Shim (217) common to shim (214).

(2) Apply BMS 10-11, Type 1 primer to above shims and install wet or dry.

E. Installation of bolts (IPL Fig. 1):

(1) Solvent clean and apply BMS 10-11, Type 1 primer to countersunk area of holes for bolts (13, 67, 88, 112 and 154). After primer has dried, apply MIL-C-11796, class 3 corrosion preventive compound to all areas of holes, countersink, and install bolts within two hours.

F. Countersunk fasteners on the exterior flap surface must be flush within the following limits:

(1) Rivets

(a) 90% must be flush with plus 0.005 inch to minus 0.000 inch.

(b) 10% may be flush with plus 0.007 inch to minus 0.0005 inch.

(2) Hi-Loks and Lockbolts

(a) Must be flush within plus 0.005 inch to minus 0.003 inch.

(3) Screws and Bolts

(a) Must be flush within plus 0.005 inch to minus 0.010 inch.

G. Fill all 0.06 to 0.12 inch gaps between reference skin panels and leading edge panels (232, 235, IPL Fig. 1) full length and width with BMS 5-95 sealant.

H. Install end plugs (6A, 11, 107, IPL Fig. 1; 6, 228 IPL Fig. 6) flush with forward end of seals (7, 10A, 49A, 64, 85, 106A, 151A, IPL Fig. 1; 9, 12, 231, 234, IPL Fig. 6) to within ± 0.10 inch and bond in place with 20-50-12, type 60.

57-53-51

ASSEMBLY

01.1

Page 702

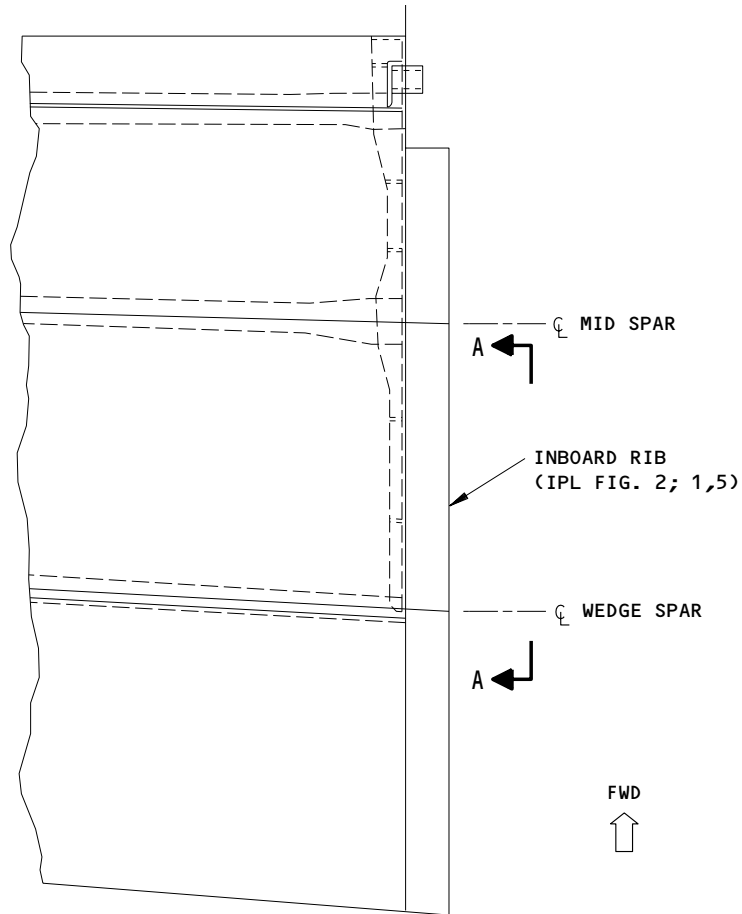
Nov 01/04

**BOEING**
COMPONENT
MAINTENANCE MANUAL

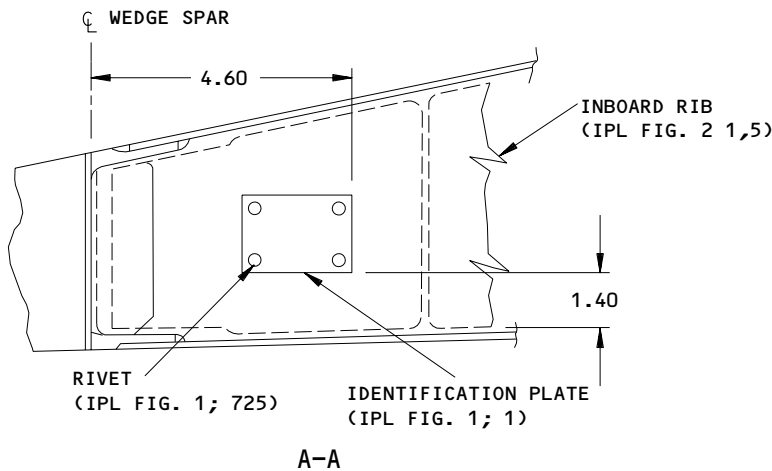
- I. Install the lockwire (P/N MS20995NC40) in the forward and aft ends of the seals (7, 10A, 49A, 64, 85, 106A, 127, 139, 151A, IPL Fig. 1; 9, 12, 231, 234, IPL Fig. 6). Install the lockwire approximately 0.17-0.23 inch from the ends of seals. Twist the ends of the lockwire about 3-6 times to make a pigtail about 0.25-0.50 inch. Bend the pigtails back along the retainers to prevent the pigtails from snagging. Apply BMS 5-95 sealant to end of the lockwire so that there is no exposed lockwire.
- J. Install identification plate (727, IPL Fig. 1) with rivets (725, IPL Fig. 1) as shown in Fig. 702.

57-53-51ASSEMBLY
Page 703
Nov 01/04

01.1



**PLAN VIEW
 INBOARD END
 OUTBOARD FLAP**



ALL DIMENSIONS ARE IN INCHES

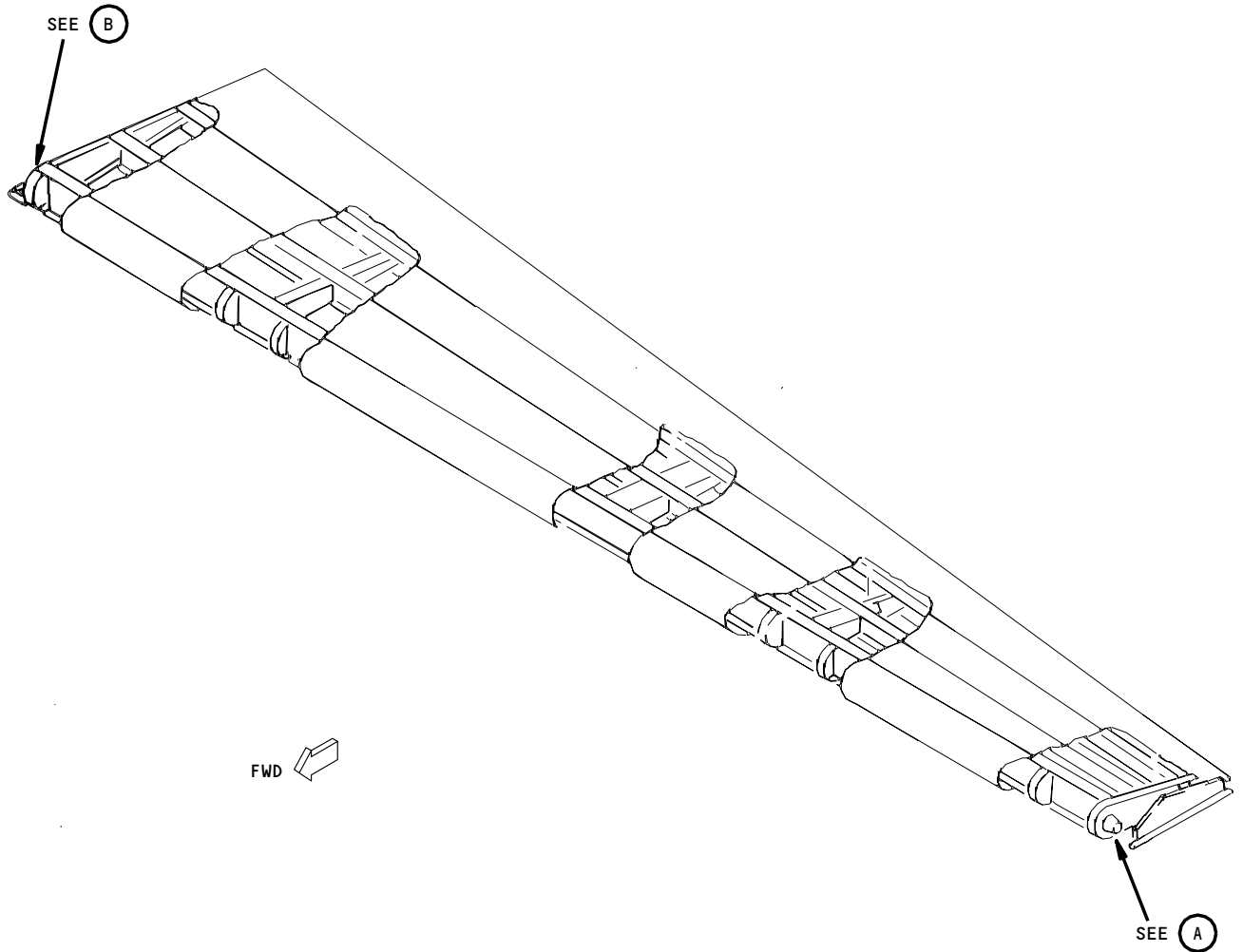
**Identification Plate Location
 Figure 701**

57-53-51

ASSEMBLY
 Page 704
 Nov 01/04

01.1

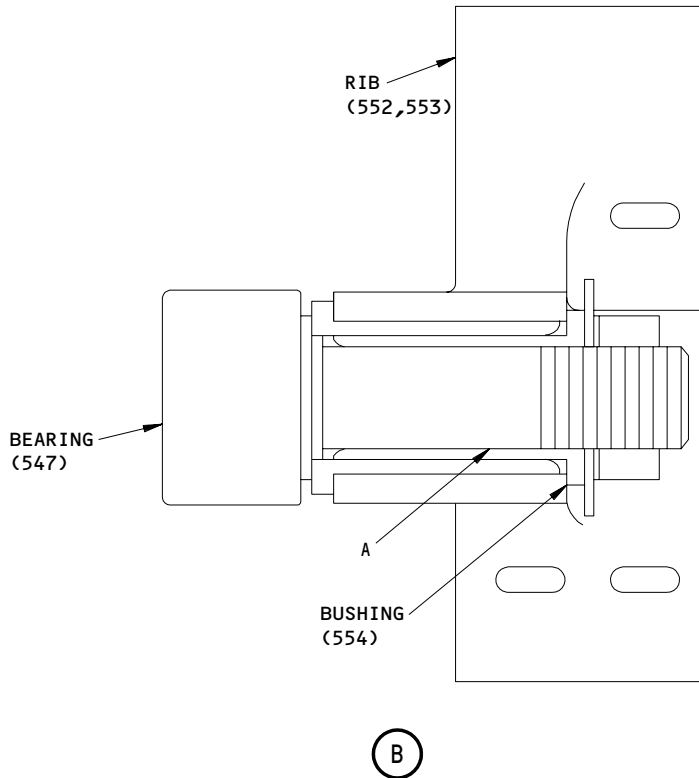
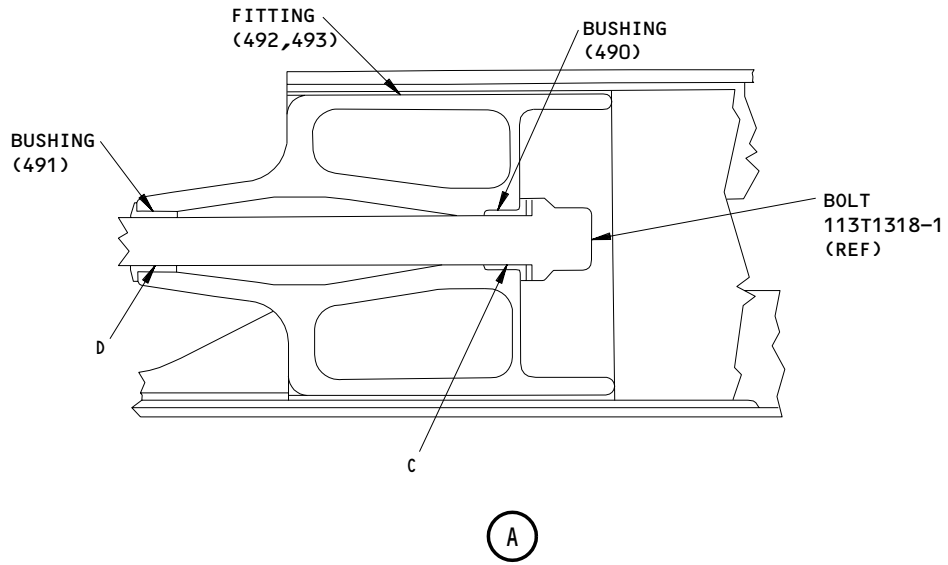
FITS AND CLEARANCES



Fits and Clearances
Figure 801 (Sheet 1)

57-53-51

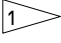
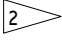
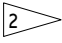
FITS AND CLEARANCES
01.1 Page 801
Jul 01/01

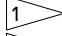
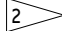


Fits and Clearances
 Figure 801 (Sheet 2)

57-53-51


BOEING
 COMPONENT
 MAINTENANCE MANUAL

Ref Letter Fig.801	Mating Item No. IPL Fig.	Design Dimension				Service Wear Limit		
		Dimension		Assembly Clearance 		Dimension		Maximum Clearance
		Min	Max	Min	Max	Min	Max	
A	ID 554	0.9995	1.0003	0.0005	0.0023	0.9931	1.0052	0.0062
	OD 545	0.9980	0.9990					
B								
C	ID 490	0.5000	0.5007	0.0005	0.0022	0.4954	0.5045	0.0050
	OD 	0.4985	0.4995					
D	ID 491	0.5000	0.5007	0.0005	0.0022	0.4954	0.5045	0.0050
	OD 	0.4985	0.4995					

 NEGATIVE VALUES DENOTE INTERFERENCE FIT
 BOLT, 113T1318-1 (REF)

ITEM NUMBERS REFER TO IPL FIG. 1
 ALL DIMENSIONS ARE IN INCHES

Fits and Clearances
 Figure 801 (Sheet 3)

57-53-51

FITS AND CLEARANCES
 01.1 Page 803
 Nov 01/04

FOR TORQUE VALUES OF STANDARD FASTENERS. REFER TO 20-50-01		
ITEM NO. IPL FIG. 1	NAME	TORQUE
		POUND-INCHES
546	NUT	1450-1700
ITEM NO. IPL FIG. 2	NAME	TORQUE
		POUND-INCHES
73	NUT	1450-1700
ITEM NO. IPL FIG. 5	NAME	TORQUE
		POUND-INCHES
63		1450-1700

Torque Table
 Figure 802

57-53-51



SPECIAL TOOLS, FIXTURES AND EQUIPMENT

NOTE: Equivalent substitutes may be used.

- |1. A57002-1 -- Outboard T.E. Flap Wedge Replacement Equipment

57-53-51

SPECIAL TOOLS

01.1

Page 901

Mar 01/04

ILLUSTRATED PARTS LIST

1. This section lists and illustrates replaceable or repairable component parts. The Illustrated Parts Catalog contains a complete explanation of the Boeing part numbering system.

2. Indentures show parts relationships as follows:

Assembly

Detail Parts for Assembly

Subassembly

Attaching Parts for Subassembly

Detail Parts for Subassembly

Detail Installation Parts (Included only if installation parts may be returned to shop as part of assembly)

3. One use code letter (A, B, C, etc.) is assigned in the EFF CODE column for each variation of top assembly. All listed parts are used on all top assemblies except when limitations are shown by use code letter opposite individual part entries.

4. Letter suffixes (alpha-variants) are added to item numbers for optional parts, Service Bulletin modification parts, configuration differences (Except left- and right-hand parts), product improvement parts, and parts added between two sequential item numbers. The alpha-variant is not shown on illustrations when appearance and location of all variants of the part is the same.

5. Service Bulletin modifications are shown by the notations PRE SB XXXX and POST SB XXXX.

A. When a new top assembly part number is assigned by Service Bulletin, the notations appear at the top assembly level only. The configuration differences at detail part level are then shown by use code letter.

B. When the top assembly part number is not changed by the Service Bulletin, the notations appear at the detail part level.

6. Parts Interchangeability

Optional
(OPT)

The parts are optional to and interchangeable with other parts having the same item number.

Supersedes, Superseded By
(SUPSDS, SUPSD BY)

The part supersedes and is not interchangeable with the original part.

Replaces, Replaced By
(REPLS, REPLD BY)

The part replaces and is interchangeable with, or is an alternate to, the original part.

57-53-51

ILLUSTRATED PARTS LIST

01

Page 1001

Apr 10/84

7. Boeing Proprietary Color-Coded Parts

- A. Color-coded parts are identified with an alpha "SP" suffix. This entry represents consolidation of all color codes applicable for a given usage. Orders for color-coded parts should include the registry number of the airplane for which the parts are ordered.

57-53-51

ILLUSTRATED PARTS LIST
01.1 Page 1002
Jul 10/87


BOEING
 COMPONENT
 MAINTENANCE MANUAL
VENDORS

OPTK6 SPS TECHNOLOGIES INC AEROSPACE PRODUCTS DIV
 5195 W 4700 SPO BOX 18459
 KEARNS, UTAH 84118

06725 AIR INDUSTRIES CORPORATION
 12570 KNOTT STREET
 GARDEN GROVE, CALIFORNIA 92641-3932
 FORMERLY AIR INDUSTRIES OF CALIF IN GARDENA, CALIF.

06950 SCREWCORP VSI AEROSPACE PRODUCTS DIV FAIRCHILD IND DIV
 13001 EAST TEMPLE AVENUE PO BOX 730
 CITY OF INDUSTRY, CALIFORNIA 91746-1417
 FORMERLY VB0096 AND VSI CORP SCREWCORP DIV
 FORMERLY IN CULVER CITY, CALIFORNIA

11815 CHERRY AEROSPACE FASTENERS DIV OF TEXTRON
 1224 EAST WARNER AVENUE PO BOX 2157
 SANTA ANA, CALIFORNIA 92707-0157
 FORMERLY IN LOS ANGELES, CALIF, FORMERLY CHERRY FASTENERS
 TOWNSEND DIV OF TEXTRON INC V71087

15653 ALOCA GLOBAL FASTEMERS INC DIV KAYNARE PRODUCTS
 800 S STATE COLLEGE BLVD
 FULLERTON, CALIFORNIA 92831-3001
 FORMERLY VK6405 MICRODOT AEROSP LTD; FORMERLY KAYNAR TECH
 FORMERLY FAIRCHILD FASTENERS KAYNAR DIV

17446 HUCK INTL INC AEROSPACE FASTENER DIV
 900 WATSON CENTER ROAD
 CARSON, CALIFORNIA 90745-4201
 FORMERLY V32134 REXNORD INC; FORMERLY V97928 HUCK INTL

25099 CASCADE GASKET AND MFG CO
 8825 SOUTH 228TH STREET
 KENT, WASHINGTON 98031-2437

5M902 FAIRCHILD IND INC FAIRCHILD AEROSPACE FASTENER DIV
 3016 W LOMITA BLVD
 TORRANCE, CALIFORNIA 90505-5103
 FMLY IN REDONDO BEACH, CALIF

52825 HOFFMAN CAMERA CORP
 19 GRAND AVENUE
 FARMINGTON, NEW YORK 11735-6315

57-53-51
 ILLUSTRATED PARTS LIST
 01.1 Page 1003
 Nov 01/04

VENDORS

52828 REPUBLIC FASTENER MFG CORP
1300 RANCHO CONEJO BLVD
NEWBURY PARK, CALIFORNIA 91320-1405
FORMERLY IN SYLMAR, CALIFORNIA

56878 SPS TECHNOLOGIES INC AEROSPACE AND INDUSTRIAL PRODUCTS DIV
301 HIGHLAND AVE
JENKINTOWN, PENNSYLVANIA 19046
FORMERLY STANDARD PRESSED STEEL

60516 WEST COAST AEROSPACE INC
812 MIRAFLORES STREET
SAN PEDRO, CALIFORNIA 90731-1439

62554 SIMMONDS MECAERO FASTENERS INC
1734 SEQUOIA AVENUE
ORANGE, CALIFORNIA 92668

72962 HARVARD INDUSTRIES INC
3 WERNER WAY SUITE 210
LEBANON, NEW JERSEY 08833
FORMERLY AMERACE CORP ESNA DIV
FORMERLY ELASTIC STOP NUT IN UNION, NJ

73197 HI-SHEAR TECHNOLOGY CORP
2600 SKYPARK DRIVE
TORRANCE, CALIFORNIA 90509

80539 SPS TECHNOLOGIES INC DIV AERPSOACE - SANTA ANA
2701 SOUTH HARBOR BOULEVARD
SANTA ANA, CALIFORNIA 92704-5803
FORMERLY NUTT-SHEL DIV OF SPC WESTERN CO V80539
AND STANDARD PRESSED STEEL WESTERN DIV V17279

85495 BRILES MFG CO SEE OMARK INDUSTRIES
PRECISION FASTENING SUB OF OMARK IND INC SEE DEUTSCH
FASTENER CORP V08524
OMARK INDUSTRIES SEE PRECISION FASTENING

9N513 VOI SHAN/CHATSWORTH DIV OF VSI CORP SUB OF FAIRCHILD IND
CHATSWORTH, CALIFORNIA 91311-5013
COMPANY NO LONGER WISHES TO BE CONSIDERED FOR FED CONTRCTG

92215 FAIRCHILD IND INC FAIRCHILD AEROSPACE FASTENER DIV
3010 W LOMITA BLVD
TORRANCE, CALIFORNIA 90505-5102
FORMERLY VOI-SHAN IN CULVER CITY, CALIF

57-53-51

ILLUSTRATED PARTS LIST
01.1 Page 1004
Nov 01/04

VENDORS

92563 MCGILL MFG CO INC BEARINGS DIV
909 LAFAYETTE STREET
VALPARAISO, INDIANA 46383-4210

97928 SEE V17446 HUCK INTL
SEE V17446 HUCK INTL
HUCK INTL SEE V17446 HUCK INTL

57-53-51

ILLUSTRATED PARTS LIST

01.1

Page 1005

Nov 01/04

PART NUMBER	AIRLINE PART NO.	FIG.	ITEM	TTL REQ
BACB28AP08P050		1	490	1
BACB28AP08P091		7	160	2
BACB28AP14P108		8	120	1
BACB30LK3-4		1	484	2
BACB30LK3-6		1	484K	1
BACB30LR4-11		1	438	1
		1	505	1
		2	17	1
		5	7	1
		7	25	1
		10	20	8
BACB30LR5-11		10	15	4
BACB30MY10K14		1	646	4
BACB30MY12K14		1	577	2
BACB30MY6K3		1	464A	5
		1	549L	4
		2	115	4
		4	75	49
		4	200	49
		5	105	4
BACB30MY6K3X		4	295	6
BACB30MY6K3Y		4	300	2
BACB30MY6K4		1	462A	2
		1	603	3
BACB30MY6K4X		4	305	4
BACB30MY6K4Y		4	310	2
BACB30MY6K5		1	549F	4
		1	577R	1
		1	599	8
		1	653H	1
		2	110	4
		5	100	4

57-53-51

 ILLUSTRATED PARTS LIST
 01.1 Page 1006
 Nov 01/04


BOEING
 COMPONENT
 MAINTENANCE MANUAL

PART NUMBER	AIRLINE PART NO.	FIG.	ITEM	TTL REQ	
BACB30MY6K6		1	465A	1	
		1	472A	5	
		1	486A	2	
		1	537	4	
		1	600	4	
		2	62	4	
		5	52	4	
	BACB30MY6K8		1	601	4
	BACB30MY6K9		1	486L	1
	BACB30MY8K14		1	576R	4
BACB30MY8K5		1	645	4	
		1	577H	2	
BACB30MY8K7		1	653P	2	
		1	576	6	
BACB30MY8K9		1	648	8	
		1	576H	2	
BACB30NM4K10		1	230L	8	
		6	366	4	

57-53-51

ILLUSTRATED PARTS LIST

01.1

Page 1007

Nov 01/04

PART NUMBER	AIRLINE PART NO.	FIG.	ITEM	TTL REQ
BACB30NM4K11		6	369	4
BACB30NN3K4		7	10	4
BACB30NN3K7		6	753A	128
BACB30NN3K8		1	13	23
		1	67	2
		1	88	37
		1	112	37
		1	154	38
		1	270	9
		1	410	671
		1	435	39
		1	504	54
		1	562	12
		1	592	88
		1	619	24
		1	709	25
		2	16	51
		4	15	286
		4	315	375
		5	6	51
		6	15	32
		6	81	12
		6	237	71
		6	309	15
		6	465	12
		6	594	24
		6	786	24
		7	20	30
		8	10	44
		9	10	88
		10	10	971
		11	10	680
		12	10	298
BACB30NN3K9		6	789	1
BACB30NN4K11		1	411	4
		1	561	16
		1	618	16
		2	18	1
		4	20	2
		5	8	1
		6	462	26
		6	591	26
		10	25	3
		12	15	2

57-53-51

ILLUSTRATED PARTS LIST

01.1

Page 1008

Nov 01/04


BOEING
 COMPONENT
 MAINTENANCE MANUAL

PART NUMBER	AIRLINE PART NO.	FIG.	ITEM	TTL REQ
BACB30NN4K2		1	437	2
		4	320	4
		7	15	2
BACB30NN4K4		6	240	2
BACB30NT3K3		6	75	10
BACB30NT3K4		8	45	6
BACB30NT3K6		6	78	6
BACB30NT3K8		6	204	3
BACB30NW5K3		1	461A	2
BACB30NW6K3		1	606	26
BACB30NW6K3X		4	325	4
BACB30NW6K3Y		4	330	2
BACB30NW6K4		1	458A	8
		1	459B	8
		1	580R	3
BACB30NW6K5		1	423	66
		1	459A	2
		1	609A	4
BACB30NW6K5X		4	335	4
		4	340	2
		1	422	75
BACB30NW6K5Y		1	549	8
		1	580H	3
		1	604A	4
BACB30NW6K6		1	653	13
		2	120	8
		4	7	2
BACB30NW6K6X		5	110	8
		4	345	8
		4	350	2
BACB30NW6K6Y		1	420	134
		1	456A	1
		1	607	12
BACB30NW6K7		1	607	12

57-53-51

ILLUSTRATED PARTS LIST

01.1

Page 1009

Nov 01/04

PART NUMBER	AIRLINE PART NO.	FIG.	ITEM	TTL REQ
BACB30NW6K8		1	426	2
		1	453A	1
BACB30NW6K9		1	425	6
BACB30NW8K8		1	580	2
BACB30NX10K11		1	240	6
		6	408	2
BACB30NX10K12		1	248	8
		6	402	2
BACB30NX10K13		1	245	2
BACB30NX10K14		1	239	4
		6	405	2
BACB30NX10K15		1	251	2
BACB30NX10K16		6	399	2
BACB30NX10K8		1	242	4
BACB30NX10K9		1	254	2
		6	411	2
BACB30NX6K10		1	229M	8
		6	357	8
BACB30NX6K5		1	651	6
BACB30NX6K6		6	414	4
BACB30NX6K9		1	229L	8
BACB30NX6K9X		4	355	10
BACB30NX6K9Y		4	360	2
BACB30NX8K6		1	652	2
BACB30NX8K7		1	579R	2
BACB30NX8K8		1	579H	2
		1	649	4
BACB30NX8K9		1	579	2
BACB30VT10K11		6	522	2
		6	648	8
BACB30VT10K12		6	525	2
BACB30VT6K3		1	464	5
		7	95	4
		7	140	2
		12	100	53

57-53-51

 ILLUSTRATED PARTS LIST
 01.1 Page 1010
 Nov 01/04


BOEING
 COMPONENT
 MAINTENANCE MANUAL

PART NUMBER	AIRLINE PART NO.	FIG.	ITEM	TTL REQ
BACB30VT6K4		1	462	2
		7	90	2
		8	85	4
		9	70	3
		6	192	4
BACB30VT6K5		6	519	1
		6	645	1
		7	135	4
		9	60	8
BACB30VT6K5		1	465	1
BACB30VT6K6		1	472	5
		1	486	2
		8	80	4
		9	65	8
		10	130	8
BACB30VT6K7		1	486K	1
BACB30VT6K9		6	504	4
		6	633	4
BACB30VT8K11		10	125	20
		6	507	4
		6	510	2
BACB30VT8K12		6	636	2
		6	498	6
		6	630	6
BACB30VT8K5		10	120	4
		6	501	2
BACB30VT8K7		6	501	2
		6	393	2
BACB30VT8K8		1	461	2
		7	85	2
BACB30YP10K8		9	45	26
		1	458	8
BACB30YP6K3		6	516	4
		6	642	9
BACB30YP6K4		7	125	8
		12	50	164

57-53-51

ILLUSTRATED PARTS LIST

01.1

Page 1011

Nov 01/04

PART NUMBER	AIRLINE PART NO.	FIG.	ITEM	TTL REQ
BACB30YP6K5		1	459	2
		7	130	3
		9	55	4
BACB30YP6K6		6	396	2
		6	513	3
		6	639	4
		8	75	6
		9	40	4
		12	45	4
BACB30YP6K7		1	456	1
		9	50	12
BACB30YP6K8		1	453	1
		8	70	4
BACB30YP8K10		6	384	6
		6	495	2
		6	627	2
BACB30YP8K12		6	381	8
BACB30YP8K8		6	387	2
BACB30YP8K9		6	390	6
BACC30BH10		1	257A	28
		6	426	10
BACC30BH6		1	229S	8
		6	360	8
		6	429	4
BACC30BL10		6	420	2
		6	534	4
BACC30BL6		6	657	8
		1	468	22
		1	472K	5
		1	489K	3
		6	195	4
		6	423	2
		6	531	8
		6	654	14
		7	100	8
		7	145	17
		8	90	18
		9	75	65
		10	140	8
		12	55	168
BACC30BL8		12	105	53
		6	417	22
		6	528	20
		6	651	14
BACC30M10		10	135	24
		1	656	4

57-53-51

 ILLUSTRATED PARTS LIST
 01.1 Page 1012
 Nov 01/04


BOEING
 COMPONENT
 MAINTENANCE MANUAL

PART NUMBER	AIRLINE PART NO.	FIG.	ITEM	TTL REQ
BACC30M12		1	582F	2
BACC30M6		1	428	283
		1	468A	22
		1	472L	5
		1	489L	3
		1	538	4
		1	549R	16
		1	582M	7
		1	610	65
		1	657	14
		2	63	4
		2	125	16
		4	11	2
		4	80	49
BACC30M6		4	205	49
		5	53	4
		5	115	16
BACC30M8		1	582	16
		1	654	16
BACC30X10		1	257	28
BACC30X6		1	229R	8
		1	659	6
BACC30X8		1	582T	6
		1	658	4
BACF3H06DP006HG		6	660	4
BACF3H06JP006HG		6	537	2
BACN10JB5		1	229	6
		6	354	6
BACN10JC16		1	546	1
		2	73	1
		5	63	1
BACN10JC4		1	231	4
		6	375	4
BACN10JN4		1	447	2
BACN10JN4CD		7	40	2
BACN10JQ32		1	382	3
		1	475	8
		1	512	8
		1	542	8
		1	571	4
		1	594	12
		1	629	3
		2	25	6
		2	70	8
		5	15	6
		5	60	8

57-53-51

ILLUSTRATED PARTS LIST

01.1

Page 1013

Nov 01/04

PART NUMBER	AIRLINE PART NO.	FIG.	ITEM	TTL REQ
BACN10JQ33		1	515	3
		1	598	2
		1	638	1
		2	30	3
		3	40	2
		3	70	4
		3	100	4
		3	130	4
		4	35	10
		5	20	3
BACN10JQ34		1	373	6
		1	427	24
BACN10JQ34		1	518	2
		1	565	6
		1	595	34
		1	626	5
		2	35	2
		3	20	10
		3	45	4
		3	75	3
		3	105	4
		3	135	4
		5	25	2
BACN10JQ35		1	19	21
		1	397	3
		1	521	27
		1	597	40
		2	40	30
		3	15	23
		4	40	13
		5	30	30
BACN10JQ36		1	73	2
		1	94	3
		1	370	6
		1	523	6
		1	698	9
		2	50	2
		5	40	2
		6	60	9
		6	315	2
BACN10JQ36CM		1	403	3
BACN10JQ42		1	400	4
		1	417	4
		1	568	6
		1	635	8

57-53-51

 ILLUSTRATED PARTS LIST
 01.1 Page 1014
 Nov 01/04


BOEING
 COMPONENT
 MAINTENANCE MANUAL

PART NUMBER	AIRLINE PART NO.	FIG.	ITEM	TTL REQ
BACN10JQ43		1	564	4
		1	623	4
		2	45	2
		5	35	2
BACN10JQ44		1	570	2
BACN10JQ45		1	367	4
		1	368	2
		1	567	2
		1	632	4
BACN10JQ47		4	45	2
		3	50	1
BACN10JQ47		3	80	1
		3	110	1
BACN10JQ47		3	140	1
		1	452	1
BACN10JQ48		1	510	1
		1	510	1
BACN10JR3CFD		6	90	6
		8	60	6
BACN10KE3B2		1	414	146
		1	644	2
		6	624	2
		11	40	250
BACN10KE3B3		1	388	43
		10	50	55
		11	35	32
BACN10KE3B4		1	376	285
		1	413	497
		1	574	2
		6	492	2
		10	45	253
		11	30	364

57-53-51

ILLUSTRATED PARTS LIST

01.1

Page 1015

Nov 01/04

PART NUMBER	AIRLINE PART NO.	FIG.	ITEM	TTL REQ
BACN10KE3B5		1	391	14
		1	446	11
		1	641	13
		4	30	263
		6	618	13
		10	55	14
		12	35	275
BACN10KE3B6		1	97	34
		1	118	33
		1	361	455
		1	449	2
		6	318	2
		10	40	464
BACN10KE3B6CM		1	385	124
		10	60	122
BACN10KE3D		1	22	2
		6	27	2
BACN10KE3E2		1	416	4
		1	441	2
BACN10KE3E3		1	394	4
		10	65	4
		6	486	2
BACN10KE3E4		6	486	2
BACN10KE3E5		1	450	2
BACN10KE3E6		1	364	19
		10	70	16
BACN10KE3E6CM		1	379	13
BACN10KE3E6CM		10	75	10
BACN10KE4B2		1	573	2
BACN10KE4E6		6	489	2
		6	621	2
		6	162	6
BACN10KH3CD		6	162	6
BACN10YF31CD		7	35	2
		8	35	3
		10	80	3
BACN10YF32		1	440	6
		6	483	4
		6	606	3
		9	20	14
		11	20	5
		12	195	3

57-53-51

 ILLUSTRATED PARTS LIST
 01.1 Page 1016
 Nov 01/04


BOEING
 COMPONENT
 MAINTENANCE MANUAL

PART NUMBER	AIRLINE PART NO.	FIG.	ITEM	TTL REQ
BACN10YF32CD		6	105	1
		6	132	3
		6	159	1
		7	45	6
		8	25	8
BACN10YF33		1	444	2
		4	35A	10
		6	615	1
		9	30	2
		11	45	4
BACN10YF33CD		12	25	10
		6	102	3
		6	129	3
		6	156	2
		7	60	8
BACN10YF34		8	30	6
		3	20A	10
		6	474	4
		6	603	5
		9	25	32
BACN10YF34CD		10	85	6
		11	25	25
		6	249	1
		6	291	36
		7	50	11
BACN10YF35		8	40	6
		1	19A	21
		1	181A	11
		1	193A	16
		1	206	11
		1	443	6

57-53-51

 ILLUSTRATED PARTS LIST
 01.1 Page 1017
 Nov 01/04

PART NUMBER	AIRLINE PART NO.	FIG.	ITEM	TTL REQ
BACN10YF35		3	15A	23
		4	40A	13
		6	342	11
		9	35	40
		10	110	4
		12	30	13
BACN10YF35CD		6	24	21
		6	246	34
		7	55	7
		8	20	21
BACN10YF36		1	115A	4
		10	90	13
BACN10YF36CM		10	115	3
BACN10YF41		10	102	1
BACN10YF41CD		6	252	2
BACN10YF42		6	480	14
		6	612	14
		10	100A	7
		10	105	7
BACN10YF43		6	471	4
		6	600	4
BACN10YF45		4	45A	2
		6	477	6
		6	609	6
		12	40	2
BACN10YF48CD		7	65	1
BACN10YF55		1	369	2
		10	95	4
BACN10YR3CD		1	489	3
		6	213	3
BACN10YR4CD		1	231A	4
		1	16	46
BACR15BA3AD		1	70	4
		1	91	74
		1	109	74
		1	178	22
		1	190	32
		1	202	22
		1	355	999
		1	412	999
		1	439	66
		1	474	16
		1	506	94
		1	539	16
1	563	56		

57-53-51

 ILLUSTRATED PARTS LIST
 01.1 Page 1018
 Nov 01/04


BOEING
 COMPONENT
 MAINTENANCE MANUAL

PART NUMBER	AIRLINE PART NO.	FIG.	ITEM	TTL REQ
BACR15BA3AD		1	592K	176
		1	620	80
		1	696	18
		2	20	90
		2	65	16
		3	10	66
		3	35	14
		3	65	16
		3	95	18
		3	125	18
		4	25	576
		5	10	90
		5	55	16
		6	21	46
		6	57	18
		6	87	12
		6	99	8
		6	126	12
		6	153	18
		6	243	74
		6	288	72
		6	312	8
		6	339	22
		6	468	76
		6	597	100
		7	30	74
		8	15	88
		8	55	12
		9	15	176
		10	30	999
		11	15	999
		12	20	600
		12	190	6
BACR15BA4AD		1	226	12
		6	351	12
BACR15BA6AD		1	52	4
		1	211	2
		1	220	3
		2	140	6
		5	130	6
		6	18	4
		6	84	4

57-53-51

ILLUSTRATED PARTS LIST

01.1

Page 1019

Nov 01/04

PART NUMBER	AIRLINE PART NO.	FIG.	ITEM	TTL REQ
BACR15BB6AD		6	294	8
BACR15CE6AD		1	550N	4
		2	150	2
BACR15CE6AD		5	140	2
BACR15CE6KE		1	142	2
		1	429	438
		1	469	2
		1	550	27
		2	130	27
		4	48	323
		5	120	27
		7	105	2
BACR15CE8AD7		4	365	2
BACR15CE8AD8		4	370	2
BACR15CE8KE10		4	375	2
BACR15CE8KE7		4	380	2
BACR15CE8KE8		4	385	35
BACR15DS7D7		4	390	4
BACR15DS7D8		4	395	4
BACR15DS7KE10		4	400	4
BACR15DS7KE7		4	405	6
BACR15DS7KE9		4	410	355
BACR15ET7AD7		4	415	6
BACR15FT6AD		1	550R	17
		2	145	31
		5	135	31
		7	70	2
BACR15FT6CE		8	95	19
BACR15FT6KE		1	550K	6
		2	135	6
		5	125	6
		8	100	10
BACR15FT8AD7		4	420	2
BACR15GF6D		12	60	158
BACS40R006C008F		6	180	1
BACS40R007B009F		1	495D	2
BACS40R007B018F		9	145	1
BACS40R007C009F		6	183	1
BACS40R007C017F		8	160	1
BACS40R007C020F		7	190	1
BACS40R007C031F		8	150	1
BACS40R008B008F		6	72	1

57-53-51

 ILLUSTRATED PARTS LIST
 01.1 Page 1020
 Nov 01/04


BOEING
 COMPONENT
 MAINTENANCE MANUAL

PART NUMBER	AIRLINE PART NO.	FIG.	ITEM	TTL REQ
BACS40R008B009F		1	495G	1
BACS40R008B011F		1	40A	1
BACS40R008B014F		6	189	1
BACS40R008B018F		1	495K	2
		7	120	3
		9	140	3
BACS40R008B019F		9	150	2
BACS40R008B027F		9	125	3
BACS40R008C009F		7	195	1
BACS40R008C010F		6	114	1
		6	141	1
BACS40R008C020F		9	130	1
BACS40R008D012F		8	145	2
BACS40R009B011F		1	494R	2
BACS40R009B013F		1	494K	1
BACS40R009B015F		1	148A	1
BACS40R009B018F		1	495N	2
BACS40R009B019F		9	135	1
BACS40R009B027F		1	217A	1
		9	120	2
BACS40R009C009F		7	180	1
BACS40R009C010F		6	117	1
		6	144	1
BACS40R009C012F		1	136A	1
BACS40R009C013F		1	494N	1
BACS40R009C017F		8	140	1
BACS40R009C018F		8	165	1
BACS40R009C020F		6	186	2
		7	185	1
BACS40R009C032F		7	200	1
BACS40R009E055F		6	573	1

57-53-51

 ILLUSTRATED PARTS LIST
 01.1 Page 1021
 Nov 01/04

PART NUMBER	AIRLINE PART NO.	FIG.	ITEM	TTL REQ
BACS4OR010B013F		1	494D	1
BACS4OR010B034F		1	494A	2
BACS4OR010C023F		6	570	1
BACS4OR011B013F		6	567	2
BACS4OR011B014F		6	687	2
BACS4OR011B035F		1	494V	2
BACS4OR011B037F		1	495R	1
BACS4OR011C018F		8	135	1
BACS4OR011C025F		6	690	1
BACS4OR011C026F		6	675	1
BACS4OR011C032F		6	552	1
BACS4OR012B013F		1	494G	1
BACS4OR012C026F		6	702	1
BACS4OR012C032F		6	579	1
BACS4OR012C050F		1	495V	2
		7	175	2
BACS4OR012E026F		6	705	1
BACS4OR014B018F		12	170	2
BACS4OR014B055F		6	696	1
BACS4OR014C055F		6	681	2
BACS4OR015B024F		4	140	4
		4	265	4
		12	175	4
BACS4OR015C055F		6	558	2
BACS4OR015E025F		9	155	1
BACS4OR016B025F		1	495	1
BACS4OR017C050F		8	155	1
BACS4OR018E022P		6	222	1
BACS4OR019C055F		6	561	2
		6	684	3
BACS4OR020C044F		6	576	1
BACS4OR020C055F		6	693	1
BACS4OR021C048F		6	555	1

57-53-51

 ILLUSTRATED PARTS LIST
 01.1 Page 1022
 Nov 01/04


BOEING
 COMPONENT
 MAINTENANCE MANUAL

PART NUMBER	AIRLINE PART NO.	FIG.	ITEM	TTL REQ
BACS40R021C050F		6	678	1
BACS40R022C055F		6	564	2
BACS40R023C048F		6	699	1
BACS40R026C035F		6	708	1
BACS40R032C032F		6	582	1
BACS40R07E17F		1	556Q	2
		2	260	2
		5	250	2
BACS40R08B11F		1	40	1
BACS40R08B18F		1	613F	6
BACS40R08B19F		1	613	2
BACS40R08B27F		1	612F	4
BACS40R08C22F		1	613M	1
BACS40R09B09F		1	556J	2
BACS40R09B15F		1	148	1
BACS40R09B27F		1	217	1
		1	224	1
		1	612	1
		6	348	1
BACS40R09C09F		2	265	2
		5	255	2
BACS40R09C12F		1	136	1
BACS40R09C19F		1	556M	1
		2	245	1
		5	235	1
BACS40R10B23F		1	586M	1
BACS40R10B36F		1	556T	1
		2	270	1
		5	260	1
BACS40R10C19F		1	556	1
		2	240	1
		5	230	1
BACS40R11B13F		1	585M	2
BACS40R11B14F		1	666	2
BACS40R11B25F		1	677	1
BACS40R11B26F		1	661	1
		10	190	4

57-53-51

 ILLUSTRATED PARTS LIST
 01.1 Page 1023
 Nov 01/04

PART NUMBER	AIRLINE PART NO.	FIG.	ITEM	TTL REQ
BACS4OR11B32F		1	583	1
BACS4OR12B26F		1	669	1
BACS4OR12B32F		1	588	1
BACS4OR12C26F		10	195	4
BACS4OR12E23F		10	210	2
BACS4OR13B24F		10	185	3
BACS4OR14B18F		4	150	2
		4	275	2
BACS4OR14B27F		1	612M	1
BACS4OR14B32F		1	588M	1
		1	663	2
BACS4OR15B21F		10	205	1
BACS4OR15B29F		1	674	1
BACS4OR15B32F		1	583M	2
BACS4OR15C020F		1	133A	1
BACS4OR15D20F		1	133	1
BACS4OR15E26F		1	667	1
BACS4OR16B18F		1	556C	2
		5	240	2
BACS4OR16B20F		1	556F	2
		2	255	2
		5	245	2
BACS4OR16E25F		1	612T	1
BACS4OR17E32F		1	672A	1
BACS4OR18B19F		1	613T	1
BACS4OR18B32F		1	586F	1
BACS4OR19B13F		10	200	4
BACS4OR19B18F		2	250	2
BACS4OR19B32F		1	585	1
		1	664	2
BACS4OR20B32F		1	585F	1
BACS4OR21B29F		1	676	1
BACS4OR21B32F		1	583F	1
		1	662	1
BACS4OR22B29F		1	588F	1
BACS4OR25B29F		1	671	1
BACS4OR26B32F		1	673	1
BACS4OR26B35F		1	668	1
BACS4OR32B32F		1	586	1
BACW10BN3AC		6	207	3
BACW10BN4SP		1	230R	4
		6	372	4

57-53-51

 ILLUSTRATED PARTS LIST
 01.1 Page 1024
 Nov 01/04


BOEING
 COMPONENT
 MAINTENANCE MANUAL

PART NUMBER	AIRLINE PART NO.	FIG.	ITEM	TTL REQ
BACW10BP3AP		1	487R	1
BMN4122AD3-16		1	546	1
		2	73	1
		5	63	1
		1	546	1
BMN4122A16		2	73	1
		5	63	1
		1	447	2
BRFM20A4		7	40	2
BRFM20C4D		1	416	4
BRFR120A3-2		1	441	2
		1	394	4
BRFR120A3-3		10	65	4
		6	486	2
BRFR120A3-4		1	450	2
BRFR120A3-5		1	364	19
		10	70	16
BRFR120A3-6		6	489	2
		6	621	2
BRFR120A4-6		1	379	13
		10	75	10
BRFR120C3-6M		1	414	146
		1	644	2
		6	624	2
BRFR220A3-2		11	40	250
		1	388	43
		10	50	55
BRFR220A3-3		11	35	32
		1	376	285
BRFR220A3-4		1	413	497
		1	574	2
		6	492	2
		10	45	253
		11	30	364

57-53-51

ILLUSTRATED PARTS LIST

01.1

Page 1025

Nov 01/04

PART NUMBER	AIRLINE PART NO.	FIG.	ITEM	TTL REQ
BRFR220A3-5		1	391	14
		1	446	11
		1	641	13
		4	30	263
		6	618	13
		10	55	14
		12	35	275
BRFR220A3-6		1	97	34
BRFR220A3-6		1	118	33
		1	361	455
		1	449	2
		6	318	2
		10	40	464
BRFR220A4-2		1	573	2
BRFR220C3-6M		1	385	124
		10	60	122
BRF200C3D		6	90	6
		8	60	6
BRF210A5		1	229	6
		6	354	6
BRH10A4		1	231	4
		6	375	4
		1	461A	2
B30NW5K3		1	606	26
B30NW6K3		4	325	4
B30NW6K3X		1	458A	8
B30NW6K4		1	459B	8
		1	580R	3
		1	423	66
B30NW6K5		1	459A	2
		1	609A	4
		4	335	4
B30NW6K5X		4	340	2
B30NW6K5Y		4		

57-53-51

 ILLUSTRATED PARTS LIST
 01.1 Page 1026
 Nov 01/04


BOEING
 COMPONENT
 MAINTENANCE MANUAL

PART NUMBER	AIRLINE PART NO.	FIG.	ITEM	TTL REQ	
B30NW6K6		1	422	75	
		1	549	8	
		1	580H	3	
		1	604A	4	
		1	653	13	
		2	120	8	
		4	7	2	
		5	110	8	
	B30NW6K6X		4	345	8
			4	350	2
	B30NW6K6Y		1	420	134
B30NW6K7		1	456A	1	
		1	607	12	
		1	426	2	
B30NW6K8		1	453A	1	
		1	425	6	
B30NW6K9		1	580	2	
B30NW8K8		1	6B	1	
CG3824		1	547	2	
CR2XBC106		2	75A	2	
		5	65A	2	
		6	162	6	
FS1651-3		7	35	2	
		1	229	6	
F171-5		6	354	6	
F51747-3-6DL		1	385	124	
		10	60	122	
F51750-3-2		1	414	146	
		1	644	2	
		6	624	2	
F51750-3-3		11	40	250	
		1	388	43	
		10	50	55	
		11	35	32	
F51750-3-4		1	376	285	
		1	413	497	
		1	574	2	
		6	492	2	
		10	45	253	
		11	30	364	

57-53-51

 ILLUSTRATED PARTS LIST
 01.1 Page 1027
 Nov 01/04

PART NUMBER	AIRLINE PART NO.	FIG.	ITEM	TTL REQ
F51750-3-5		1	391	14
		1	446	11
		1	641	13
		4	30	263
		6	618	13
		10	55	14
F51750-3-6		12	35	275
		1	97	34
		1	118	33
		1	361	455
		1	449	2
		6	318	2
F51750-4-2		10	40	464
		1	573	2
F51751-3-6DL		1	379	13
		10	75	10
F51752-3-2		1	416	4
		1	441	2
F51752-3-3		1	394	4
		10	65	4
F51752-3-4		6	486	2
F51752-3-5		1	450	2
F51752-3-6		1	364	19
		10	70	16
F51752-4-6		6	489	2
		6	621	2
F51754-3		1	22	2
		6	27	2
HL1012AZ10-11		1	240	6
		6	408	2
HL1012AZ10-12		1	248	8
		6	402	2
HL1012AZ10-13		1	245	2
HL1012AZ10-14		1	239	4
		6	405	2
HL1012AZ10-15		1	251	2
HL1012AZ10-16		6	399	2
HL1012AZ10-8		1	242	4
HL1012AZ10-9		1	254	2
		6	411	2
HL1012AZ6-10		1	229M	8
		6	357	8
HL1012AZ6-5		1	651	6
HL1012AZ6-6		6	414	4
HL1012AZ6-9		1	229L	8

57-53-51

 ILLUSTRATED PARTS LIST
 01.1 Page 1028
 Nov 01/04


BOEING
 COMPONENT
 MAINTENANCE MANUAL

PART NUMBER	AIRLINE PART NO.	FIG.	ITEM	TTL REQ
HL1012AZ8-6		1	652	2
HL1012AZ8-7		1	579R	2
HL1012AZ8-8		1	579H	2
		1	649	4
HL1012AZ8-9		1	579	2
HL1022AZ6-9		4	355	10
HL1032AZ6-9		4	360	2
HL1087-10		1	257A	28
		6	426	10
HL1087-6		1	229S	8
		6	360	8
		6	429	4
HL11VAZ5-3		1	461A	2
HL11VAZ6-3		1	606	26
HL11VAZ6-3X		4	325	4
HL11VAZ6-4		1	458A	8
		1	459B	8
		1	580R	3
HL11VAZ6-5		1	423	66
		1	459A	2
		1	609A	4
HL11VAZ6-5X		4	335	4
HL11VAZ6-5Y		4	340	2
HL11VAZ6-6		1	422	75
		1	549	8
		1	580H	3
HL11VAZ6-6		1	604A	4
		1	653	13
		2	120	8
		4	7	2
		5	110	8

57-53-51

 ILLUSTRATED PARTS LIST
 01.1 Page 1029
 Nov 01/04

PART NUMBER	AIRLINE PART NO.	FIG.	ITEM	TTL REQ
HL11VAZ6-6X		4	345	8
HL11VAZ6-6Y		4	350	2
HL11VAZ6-7		1	420	134
		1	456A	1
		1	607	12
HL11VAZ6-8		1	426	2
		1	453A	1
HL11VAZ6-9		1	425	6
HL11VAZ8-8		1	580	2
HL111VAZ6-3		4	325	4
HL111VAZ6-5		4	335	4
HL111VAZ6-6		4	345	8
HL112AZ6-9		4	355	10
HL1187-10		1	257	28
HL1187-6		1	229R	8
		1	659	6
HL1187-8		1	582T	6
		1	658	4
HL12VAZ10-11		1	240	6
		6	408	2
HL12VAZ10-12		1	248	8
		6	402	2
HL12VAZ10-13		1	245	2
HL12VAZ10-14		1	239	4
		6	405	2
HL12VAZ10-15		1	251	2
HL12VAZ10-16		6	399	2
HL12VAZ10-8		1	242	4
HL12VAZ10-9		1	254	2
		6	411	2
HL12VAZ6-10		1	229M	8
		6	357	8

57-53-51

 ILLUSTRATED PARTS LIST
 01.1 Page 1030
 Nov 01/04


BOEING
 COMPONENT
 MAINTENANCE MANUAL

PART NUMBER	AIRLINE PART NO.	FIG.	ITEM	TTL REQ
HL12VAZ6-5		1	651	6
HL12VAZ6-6		6	414	4
HL12VAZ6-9		1	229L	8
HL12VAZ8-6		1	652	2
HL12VAZ8-7		1	579R	2
HL12VAZ8-8		1	579H	2
		1	649	4
HL12VAZ8-9		1	579	2
HL411VAZ6-3		4	330	2
HL411VAZ6-5		4	340	2
HL412AZ6-9		4	360	2
HL412VAZ6-9		4	360	2
HL79-10		1	656	4
HL79-12		1	582F	2
HL79-6		1	428	283
		1	468A	22
		1	472L	5
		1	489L	3
		1	538	4
		1	549R	16
		1	582M	7
		1	610	65
		1	657	14
		2	63	4
		2	125	16
		4	11	2
		4	80	49
		4	205	49
		5	53	4
		5	115	16
HL79-8		1	582	16
		1	654	16
HL87-10		1	257	28
HL87-6		1	229R	8
		1	659	6
HL87-8		1	582T	6
		1	658	4
HST10AG10-11		6	522	2
		6	648	8
HST10AG10-12		6	525	2

57-53-51

 ILLUSTRATED PARTS LIST
 01.1 Page 1031
 Nov 01/04

PART NUMBER	AIRLINE PART NO.	FIG.	ITEM	TTL REQ
HST10AG6-3		1	464	5
		7	95	4
		7	140	2
		12	100	53
HST10AG6-4		1	462	2
HST10AG6-4		7	90	2
HST10AG6-5		8	85	4
		9	70	3
		6	192	4
		6	519	1
		6	645	1
HST10AG6-6		7	135	4
		9	60	8
		1	465	1
		1	472	5
		1	486	2
HST10AG6-7		8	80	4
		9	65	8
		10	130	8
		1	486K	1
HST10AG6-9		6	504	4
HST10AG8-11		6	633	4
HST10AG8-12		10	125	20
		6	507	4
		6	510	2
HST10AG8-5		6	636	2
HST10AG8-7		6	498	6
		6	630	6
		10	120	4
		6	501	2
HST10AG8-8		6	420	2
HST79-10		6	534	4
HST79-6		6	657	8
		1	468	22
		1	472K	5
		1	489K	3
		6	195	4
		6	423	2
		6	531	8
		6	654	14
		7	100	8
		7	145	17
		8	90	18
		9	75	65
		10	140	8
12	55	168		
12	105	53		

57-53-51

 ILLUSTRATED PARTS LIST
 01.1 Page 1032
 Nov 01/04


BOEING
 COMPONENT
 MAINTENANCE MANUAL

PART NUMBER	AIRLINE PART NO.	FIG.	ITEM	TTL REQ
HST79-8		6	417	22
		6	528	20
		6	651	14
HST79CY10		10	135	24
		6	420	2
		6	534	4
		6	657	8
HST79CY6		1	468	22
		1	472K	5
		1	489K	3
		6	195	4
		6	423	2
		6	531	8
		6	654	14
		7	100	8
		7	145	17
		8	90	18
		9	75	65
		10	140	8
		12	55	168
		12	105	53
		HST79CY8		6
6	528			20
6	651			14
10	135			24
H10-1612BAC		1	546	1
		2	73	1
		5	63	1
H10-4BAC		1	231	4
		6	375	4
H52732-3CD		1	489	3
		6	213	3
H52732-4CD		1	231A	4
		6	90	6
K51602-3BAC		8	60	6
		1	465A	1
L8006K6		1	472A	5
		1	486A	2
		1	537	4
		1	600	4
		2	62	4
		5	52	4
		1	240	6
L802-10K11		6	408	2
		1	248	8
L802-10K12		6	402	2
		1	245	2
L802-10K13		1	245	2

57-53-51

 ILLUSTRATED PARTS LIST
 01.1 Page 1033
 Nov 01/04

PART NUMBER	AIRLINE PART NO.	FIG.	ITEM	TTL REQ
L802-10K14		1	239	4
		6	405	2
L802-10K15		1	251	2
L802-10K16		6	399	2
L802-10K8		1	242	4
L802-10K9		1	254	2
		6	411	2
L802-6K10		1	229M	8
		6	357	8
L802-6K5		1	651	6
L802-6K6		6	414	4
L802-6K9		1	229L	8
L802-8K6		1	652	2
L802-8K7		1	579R	2
L802-8K8		1	579H	2
L802-8K8		1	649	4
L802-8K9		1	579	2
L803-5K3		1	461A	2
L803-6K3		1	606	26
L803-6K3X		4	325	4
L803-6K4		1	458A	8
		1	459B	8
		1	580R	3
L803-6K5		1	423	66
		1	459A	2
		1	609A	4
L803-6K5X		4	335	4
L803-6K5Y		4	340	2
L803-6K6		1	422	75
		1	549	8
		1	580H	3
		1	604A	4
		1	653	13
		2	120	8
		4	7	2
		5	110	8
L803-6K6X		4	345	8
L803-6K6Y		4	350	2
L803-6K7		1	420	134
		1	456A	1
		1	607	12
L803-6K8		1	426	2
		1	453A	1
L803-6K9		1	425	6
L803-8K8		1	580	2
MF1000-4BAC		1	447	2

57-53-51

 ILLUSTRATED PARTS LIST
 01.1 Page 1034
 Nov 01/04


BOEING
 COMPONENT
 MAINTENANCE MANUAL

PART NUMBER	AIRLINE PART NO.	FIG.	ITEM	TTL REQ
MF19058-3-2BAC		1	440	6
		6	483	4
		6	606	3
		9	20	14
		11	20	5
		12	195	3
MF19058-3-3BAC		1	444	2
		4	35A	10
		6	615	1
		9	30	2
MF19058-3-3BAC		11	45	4
		12	25	10
MF19058-3-4BAC		3	20A	10
		6	474	4
		6	603	5
		9	25	32
		10	85	6
		11	25	25
MF19058-3-5BAC		1	19A	21
		1	181A	11
		1	193A	16
		1	206	11
		1	443	6
		3	15A	23
		4	40A	13
		6	342	11
		9	35	40
		10	110	4
		12	30	13
		1	115A	4
10	90	13		
MF19058-4-1BAC		10	102	1
MF19058-4-2BAC		6	480	14
		6	612	14
MF19058-4-3BAC		10	100A	7
		10	105	7
		6	471	4
MF19058-4-5BAC		6	600	4
		4	45A	2
MF19058-4-5BAC		6	477	6
		6	609	6
		6	40	2
		12	40	2

57-53-51

 ILLUSTRATED PARTS LIST
 01.1 Page 1035
 Nov 01/04

PART NUMBER	AIRLINE PART NO.	FIG.	ITEM	TTL REQ
MF19058-5-5BAC		1	369	2
		10	95	4
MF39453-4-7BAC		3	50	1
		3	80	1
		3	110	1
		3	140	1
MF51594-3-2BAC		6	105	1
		6	132	3
		6	159	1
		7	45	6
		8	25	8
MF51594-3-3BAC		6	102	3
		6	129	3
MF51594-3-3BAC		6	156	2
		7	60	8
		8	30	6
MF51594-3-4BAC		6	249	1
		6	291	36
		7	50	11
		8	40	6
MF51594-3-5BAC		6	24	21
		6	246	34
		7	55	7
		8	20	21
MF51637-4		7	40	2
MF53049-4		1	447	2
MF53050-4CD		7	40	2
MS20427M		1	358	288
MS20427M3		1	439M	6
		10	35	244
MS20604B3W2		1	725	4
		6	831	4
MS27111-10		1	546K	1
		2	74	1
		5	64	1

57-53-51

 ILLUSTRATED PARTS LIST
 01.1 Page 1036
 Nov 01/04


BOEING
 COMPONENT
 MAINTENANCE MANUAL

PART NUMBER	AIRLINE PART NO.	FIG.	ITEM	TTL REQ
MS27253-1		1	727	1
		6	834	1
MT8260S428S7		3	50	1
		3	80	1
		3	110	1
		3	140	1
		3	140	1
NAS1149D0316J		8	50	6
NAS1149D0332J		6	210	3
NAS1195DD3KH		6	165	12
NAS1399MW5-3		4	47	18
		4	175	18
NAS1399MW5-4		12	65	9
		12	70	9
		4	425	20
NAS1739MW5-3		4	430	2
NAS1739MW6-3		4	60	15
NAS1836A4N13		4	85	15
		12	85	15
NAS463FDD10		1	46	2
		6	33	2
NAS463FDD10H		1	43	4
		6	30	4
NAS6704-10		1	230M	8
NS103191-02-2		1	414	146
		1	644	2
NS103191-02-2		6	624	2
		11	40	250
NS103191-02-3		1	388	43
		10	50	55
NS103191-02-4		11	35	32
		1	376	285
		1	413	497
		1	574	2
		6	492	2
		10	45	253
		11	30	364

57-53-51

ILLUSTRATED PARTS LIST

01.1

Page 1037

Nov 01/05

PART NUMBER	AIRLINE PART NO.	FIG.	ITEM	TTL REQ
NS103191-02-5		1	391	14
		1	446	11
		1	641	13
		4	30	263
		6	618	13
		10	55	14
		12	35	275
NS103191-02-6		1	97	34
		1	118	33
		1	361	455
		1	449	2
		6	318	2
		10	40	464
NS103191-048-2		1	573	2
NS103191SE02-6		1	385	124
		10	60	122
NS103193-02		1	22	2
		6	27	2
NS103194-02-2		1	416	4
		1	441	2
NS103194-02-3		1	394	4
		10	65	4
		6	486	2
NS103194-02-4		1	450	2
NS103194-02-5		1	364	19
NS103194-02-6		10	70	16
		6	489	2
NS103194-048-6		6	621	2
		1	379	13
		10	75	10
NS103218-048		1	447	2
NS202101-048		1	231	4
NS202476-02		6	90	6
		8	60	6

57-53-51

 ILLUSTRATED PARTS LIST
 01.1 Page 1038
 Nov 01/04


BOEING
 COMPONENT
 MAINTENANCE MANUAL

PART NUMBER	AIRLINE PART NO.	FIG.	ITEM	TTL REQ
NS202486-048		1	231B	4
		6	375	4
NS202487-048		7	40	2
NS202496-02		6	162	6
		7	35	2
PLH53CD		1	489	3
		6	213	3
PLH54CD		1	231A	4
RMF9201M4		1	447	2
RMF9213-2-3		1	414	146
		1	644	2
		6	624	2
		11	40	250
RMF9213-2-4		1	573	2
RMF9213-3-3		1	388	43
		10	50	55
		11	35	32
		1	376	285
RMF9213-4-3		1	413	497
		1	574	2
		6	492	2
		10	45	253
RMF9213-5-3		11	30	364
		1	391	14
		1	446	11
		1	641	13
RMF9213-6-3		4	30	263
		6	618	13
		10	55	14
		12	35	275
		1	97	34
		1	118	33
RMF9216-2-3		1	361	455
		1	449	2
		6	318	2
		10	40	464
RMF9216-3-3		1	416	4
		1	441	2
RMF9216-4-3		1	394	4
		10	65	4
RMF9216-5-3		6	486	2
RMF9216-6-3		1	450	2
RMF9216-6-4		1	364	19
		10	70	16
RMF9216-6-4		6	489	2
RMF9216-6-4		6	621	2

57-53-51

ILLUSTRATED PARTS LIST

01.1

Page 1039

Nov 01/04

PART NUMBER	AIRLINE PART NO.	FIG.	ITEM	TTL REQ
RMLH9074-16		1	546	1
		2	73	1
		5	63	1
RMLH9075-4W		1	231	4
		6	375	4
T6S428J		1	231	4
T8092C1032CD		6	90	6
		8	60	6
T8124S4S		1	447	2
T8301C428CD		7	40	2
VN252A048		1	447	2
VN303A048		1	231	4
WC311K8-12		6	381	8
WC331K10-8		6	393	2
WC331K6-3		1	461	2
		7	85	2
		9	45	26
WC331K6-4		1	458	8
		6	516	4
		6	642	9
		7	125	8
		12	50	164
WC331K6-5		1	459	2
		7	130	3
		9	55	4
WC331K6-6		6	396	2
		6	513	3
		6	639	4
		8	75	6
		9	40	4
		12	45	4

57-53-51

 ILLUSTRATED PARTS LIST
 01.1 Page 1040
 Nov 01/04


BOEING
 COMPONENT
 MAINTENANCE MANUAL

PART NUMBER	AIRLINE PART NO.	FIG.	ITEM	TTL REQ
WC331K6-7		1	456	1
		9	50	12
WC331K6-8		1	453	1
		8	70	4
WC331K8-10		6	384	6
		6	495	2
		6	627	2
WC331K8-8		6	387	2
WC331K8-9		6	390	6
10-60754-322		1	6B	1
102F9201-3		6	90	6
		8	60	6
102F9201M4		7	40	2
102F9209M3		6	162	6
		7	35	2
102LH9075-4W		1	231B	4
		6	375	4
104F9213-6-3		1	385	124
		10	60	122
104F9216-6-3		1	379	13
		10	75	10
113T2104-15		1	491	1
113T3002-1		1	705A	1
113T3002-2		1	707A	1
113T3002-401		6	780	1
113T3002-402		6	783	1
113T3100-1SP		1	1	RF
113T3100-10		1	79	1
113T3100-100G		1	5C	RF
113T3100-100H		1	5D	RF
113T3100-101G		1	2E	RF
113T3100-102G		1	5G	RF

57-53-51

 ILLUSTRATED PARTS LIST
 01.1 Page 1040A
 Nov 01/04

PART NUMBER	AIRLINE PART NO.	FIG.	ITEM	TTL REQ
113T3100-11		1	7	1
113T3100-12		1	139	1
113T3100-13		1	223	1
113T3100-14		1	145	1
113T3100-15		1	82	1
113T3100-16		1	105	1
113T3100-17		1	130	1
		6	321	1
113T3100-18		1	37	1
		6	69	1
113T3100-2SP		1	4	RF
113T3100-21		1	64	1
113T3100-23		1	25A	1
		6	42A	1
113T3100-24		1	28A	1
		6	45A	1
113T3100-29		1	127	1
113T3100-3SP		1	1A	RF
113T3100-37		1	214	1
113T3100-39		1	100	1
113T3100-4SP		1	4A	RF
113T3100-40		1	103	1
113T3100-401G		1	2A	RF
		6	1B	RF
113T3100-402G		1	5A	RF
113T3100-402G		6	3A	RF
113T3100-403		6	234	1
113T3100-405		6	231	1
113T3100-407		6	267	1
113T3100-409		6	177	1
113T3100-41		1	1B	RF
113T3100-411		6	174	1
113T3100-42		1	4B	RF
113T3100-451G		1	2G	RF
		6	1C	RF
113T3100-452G		1	5H	RF
		6	3B	RF

57-53-51

 ILLUSTRATED PARTS LIST
 01.1 Page 1040B
 Nov 01/04


BOEING
 COMPONENT
 MAINTENANCE MANUAL

PART NUMBER	AIRLINE PART NO.	FIG.	ITEM	TTL REQ
113T3100-48		1	10A	1
		6	12	1
113T3100-49		1	49A	1
		6	9	1
113T3100-5		1	25	1
113T3100-50		1	11	2
		6	6	2
113T3100-51		1	107	2
		6	228	2
113T3100-52		1	151A	1
113T3100-53		1	121A	1
113T3100-54		1	124A	1
113T3100-55		1	140	1
		6	324	1
113T3100-56		1	140G	1
		6	327	1
113T3100-57		1	106A	1
113T3100-58		1	6A	1
113T3100-59SP		1	1C	RF
113T3100-6		1	28	1
113T3100-60SP		1	4C	RF
113T3100-61		1	1D	RF
113T3100-62		1	4D	RF
113T3100-63		1	1H	RF
113T3100-64		1	4H	RF
113T3100-69SP		1	1J	RF
113T3100-7		1	85	1
113T3100-70SP		1	4J	RF
113T3100-73SP		1	1L	RF
113T3100-74SP		1	4L	RF
113T3100-75		1	1M	RF
113T3100-76		1	4M	RF
113T3100-77		1	1N	RF
113T3100-78		1	4N	RF
113T3100-79SP		1	1P	RF
113T3100-80SP		1	4P	RF
113T3100-81		1	1Q	RF
113T3100-82		1	4Q	RF
113T3100-83		1	1R	RF
113T3100-84		1	4R	RF
113T3100-85		1	2H	RF
113T3100-86		1	5J	RF
113T3100-87		1	1S	RF

57-53-51

 ILLUSTRATED PARTS LIST
 01.1 Page 1040C
 Nov 01/05

PART NUMBER	AIRLINE PART NO.	FIG.	ITEM	TTL REQ
113T3100-88		1	4S	RF
113T3100-89		1	1T	RF
113T3100-9		1	76	1
113T3100-90		1	4T	RF
113T3100-91SP		1	1U	RF
113T3100-92SP		1	4U	RF
113T3100-93SP		1	1Y	RF
113T3100-94SP		1	4Y	RF
113T3100-95SP		1	1Z	RF
113T3100-96SP		1	4Z	RF
113T3100-97G		1	2B	RF
113T3100-97H		1	2F	RF
113T3100-98G		1	5B	RF
113T3100-98H		1	5F	RF
113T3100-99G		1	2C	RF
113T3100-99H		1	2D	RF
113T3101-11		1	169	1
		6	330	1
113T3101-12		1	172	1
		6	333	1
113T3101-13		1	157A	1
113T3101-14		1	160A	1
113T3101-15		1	163A	1
113T3101-16		1	166A	1
113T3101-401		6	255	1
113T3101-402		6	258	1
113T3101-403		6	261	1
113T3101-404		6	264	1
113T3101-7		1	55	1
		6	36	1
113T3101-8		1	58	1
		6	39	1
113T3106-1		1	230	4
		6	363	4
113T3106-3		1	231L	2
		6	378	2

57-53-51

 ILLUSTRATED PARTS LIST
 01.101 Page 1040D
 Nov 01/05


BOEING
 COMPONENT
 MAINTENANCE MANUAL

PART NUMBER	AIRLINE PART NO.	FIG.	ITEM	TTL REQ
113T3107-1		10	165	1
113T3107-13		4	135	2
		4	260	2
		12	145	2
113T3107-15		4	130	2
		4	255	2
		12	115	2
113T3107-16		10	170	1
113T3107-401		10	145	1
113T3107-5		4	135A	2
113T3107-7		4	130A	2
113T3107-9		10	150	1
113T3108-1		2	155A	1
		5	145	1
113T3108-2		2	160A	1
		5	150	1
113T3108-401		6	276	1
113T3108-402		6	279	1
113T3108-403		6	270	1
113T3108-404		6	273	1
113T3108-7		2	155	1
113T3108-8		2	160	1
113T3109-1		1	61	1
		6	48	1
113T3111-1		3	115	1
113T3111-10		3	30	1
113T3111-2		3	120	1
113T3111-3		3	85	1
113T3111-4		3	90	1
113T3111-5		3	55	1
113T3111-6		3	60	1
113T3111-9		3	25	1

57-53-51

 ILLUSTRATED PARTS LIST
 01.1 Page 1040E
 Nov 01/04

PART NUMBER	AIRLINE PART NO.	FIG.	ITEM	TTL REQ
113T3112-1		1	232	1
113T3112-10		1	235C	1
		3	5A	RF
113T3112-11		1	232D	1
		3	1B	RF
113T3112-12		1	235D	1
		3	5B	RF
113T3112-13G		1	232E	1
		3	1C	RF
113T3112-13J		1	232F	1
		3	1D	RF
113T3112-14G		1	235E	1
		3	5C	RF
113T3112-14J		1	235F	1
113T3112-14J		3	5D	RF
113T3112-2		1	235	1
113T3112-401G		3	1E	RF
		6	807	1
113T3112-402G		3	5E	RF
		6	810	1
113T3112-5001		1	236	1
		3	1F	RF
113T3112-5002		1	237	1
		3	5F	RF
113T3112-7		1	232B	1
		3	1	RF
113T3112-8		1	235B	1
		3	5	RF
113T3112-9		1	232C	1
		3	1A	RF
113T3113-1		1	175	1
113T3113-12		1	208	1
		6	345	1
113T3113-13		1	199	1
		6	336	1
113T3113-3		1	187	1
113T3113-7		1	184	1
113T3113-9		1	196	1

57-53-51

 ILLUSTRATED PARTS LIST
 01.1 Page 1040F
 Nov 01/04


BOEING
 COMPONENT
 MAINTENANCE MANUAL

PART NUMBER	AIRLINE PART NO.	FIG.	ITEM	TTL REQ
113T3120-1		1	406	1
113T3120-2		1	409	1
113T3120-401		6	819	1
		11	1A	RF
113T3120-402		6	822	1
		11	5	RF
113T3122-1		1	349	1
113T3122-105		10	225	2
113T3122-106		10	230	1
113T3122-109		10	215	2
113T3122-110		10	220	1
113T3122-143		1	349A	1
113T3122-144		1	352A	1
113T3122-149		1	349C	1
113T3122-150		1	352C	1
113T3122-2		1	352	1
113T3122-401		6	813	1
		10	1A	RF
113T3122-402		6	816	1
		10	5	RF
113T3130-2		1	554	1
113T3130-2		2	220	1
		5	210	1
113T3130-3		1	555	1
		2	225	1
		5	215	1
113T3131-401		6	669	1
113T3131-402		6	672	1
113T3132-401		6	546	1
113T3132-402		6	549	1
113T3133-1		1	552	1
		2	210	1
		5	200	1
113T3133-2		1	553	1
		2	215	1
		5	205	1
113T3133-3		2	230	1
		5	220	1
113T3133-4		2	235	1
		5	225	1
113T3133-401		8	105	1
113T3133-402		8	110	1
113T3133-403		8	125	1

57-53-51

 ILLUSTRATED PARTS LIST
 01.1 Page 1040G
 Nov 01/04

PART NUMBER	AIRLINE PART NO.	FIG.	ITEM	TTL REQ
113T3133-404		8	130	1
113T3134-401		7	150	1
113T3134-402		7	155	1
113T3134-403		7	165	1
113T3134-404		7	170	1
113T3135-401		6	663	1
113T3135-402		6	666	1
113T3136-401		6	540	1
113T3136-402		6	543	1
113T3140-1		1	284	1
113T3140-2		1	287	1
113T3140-25		1	284A	1
113T3140-26		1	287A	1
113T3140-3		1	290	1
113T3140-4		1	293	1
113T3140-401		6	747	1
113T3140-402		6	750	1
113T3140-403		6	741	1
113T3140-404		6	744	1
113T3140-425		6	777	1
113T3140-426		6	774	1
113T3140-427		6	771	1
113T3140-428		6	768	1
113T3140-451		6	747A	1
113T3140-452		6	750A	1
113T3140-453		6	741A	1
113T3140-454		6	744A	1
113T3141-1		1	308	1
113T3141-2		1	311	1
113T3141-25		1	308A	1
113T3141-26		1	311A	1
113T3141-3		1	314	1
113T3141-4		1	317	1
113T3142-1		1	272	1
113T3142-17		6	759	1

57-53-51

 ILLUSTRATED PARTS LIST
 01.1 Page 1040H
 Nov 01/04


BOEING
 COMPONENT
 MAINTENANCE MANUAL

PART NUMBER	AIRLINE PART NO.	FIG.	ITEM	TTL REQ
113T3142-18		6	756	1
113T3142-2		1	275	1
113T3142-29		6	765	1
113T3142-3		1	278	1
113T3142-30		6	762	1
113T3142-33		1	272A	1
113T3142-34		1	275A	1
113T3142-4		1	281	1
113T3142-401		6	735	1
113T3142-402		6	738	1
113T3142-403		6	729	1
113T3142-404		6	732	1
113T3142-451		6	735A	1
113T3142-452		6	738A	1
113T3142-453		6	729A	1
113T3142-454		6	732A	1
113T3143-1		1	296	1
113T3143-2		1	299	1
113T3143-25		1	296A	1
113T3143-26		1	299A	1
113T3143-3		1	302	1
113T3143-4		1	305	1
113T3144-401		8	65	1
113T3156-401		10	180	2
113T3156-403		10	175	2
113T3157-401		10	160	2
113T3157-403		10	155	2
113T3158-10		1	493	1
113T3158-13		1	482A	1
113T3158-14		1	483A	1
113T3158-15		1	492B	1
113T3158-16		1	493A	1
113T3158-7		1	482	1
113T3158-8		1	483	1
113T3158-9		1	492	1

57-53-51

 ILLUSTRATED PARTS LIST
 01.1 Page 1040I
 Nov 01/04

PART NUMBER	AIRLINE PART NO.	FIG.	ITEM	TTL REQ
113T3160-1		1	319	1
113T3160-2		1	322	1
113T3160-23		4	50B	1
113T3160-24		4	55B	1
113T3160-3		4	50A	1
113T3160-33		1	319D	1
		4	1F	RF
113T3160-34		1	322D	1
		4	5E	RF
113T3160-35		4	50C	1
		4	180A	1
113T3160-36		4	55C	1
		4	185A	1
113T3160-4		4	55A	1
113T3160-401		6	825	1
		12	1A	RF
113T3160-402		6	828	1
		12	5	RF
113T3160-403		12	75	1
113T3160-404		12	80	1
113T3160-49		4	165A	1
113T3160-50		4	170A	1
113T3160-5001		1	323	1
		4	1B	RF
113T3160-5002		1	324	1
		4	5A	RF
113T3160-5003		1	323A	1
		4	1C	RF
113T3160-5004		1	324A	1
		4	5B	RF
113T3160-5005		1	323B	1
		4	1D	RF

57-53-51

 ILLUSTRATED PARTS LIST
 01.1 Page 1040J
 Nov 01/04


BOEING
 COMPONENT
 MAINTENANCE MANUAL

PART NUMBER	AIRLINE PART NO.	FIG.	ITEM	TTL REQ
113T3160-5006		1	324B	1
		4	5C	RF
113T3160-5007		1	323C	1
		4	1E	RF
113T3160-5008		1	324C	1
		4	5D	RF
113T3160-51		1	323F	1
		4	1H	RF
113T3160-52		1	324F	1
113T3160-52		4	5H	RF
113T3160-65		4	50D	1
		4	180	1
113T3160-66		4	55D	1
		4	185	1
113T3160-67		1	319C	1
		4	1A	RF
113T3160-68		1	322C	1
		4	5	RF
113T3160-69		4	50	1
113T3160-70		4	55	1
113T3160-71		1	323E	1
		4	1J	RF
113T3160-72		1	324E	1
		4	5G	RF
113T3160-73		4	165	1
113T3160-74		4	170	1
113T3160-75		1	323G	1
		4	1K	RF
113T3160-76		1	324G	1
		4	5J	RF
113T3160-77		1	323D	1
		4	1G	RF
113T3160-78		1	324D	1
		4	5F	RF
113T3160-79		4	290	1
113T3161-1		4	65A	1
113T3161-10		4	105	1
		4	230	1
		12	135	1
113T3161-11		4	110	1
		4	235	1
		12	150	1

57-53-51

 ILLUSTRATED PARTS LIST
 01.1 Page 1040K
 Nov 01/04

PART NUMBER	AIRLINE PART NO.	FIG.	ITEM	TTL REQ
113T3161-12		4	115	1
		4	240	1
		12	155	1
113T3161-13		4	120	1
		4	245	1
		12	160	1
113T3161-14		4	125	1
		4	250	1
		12	165	1
113T3161-15		4	65	1
		4	190	1
		4	70	1
113T3161-16		4	195	1
		4	155	1
		4	280	1
113T3161-17		4	160	1
		4	285	1
		4	70A	1
113T3161-18		4	155A	1
		4	160A	1
		12	90	1
113T3161-2		12	95	1
		12	210	1
		12	215	1
113T3161-3		12	180	1
		12	185	1
		12	200	1
113T3161-4		12	205	1
		4	85	1
		4	210	1
113T3161-401		12	110	1
		4	90	1
		4	215	1
113T3161-402		12	120	1
		4	90	1
		4	215	1
113T3161-403		12	110	1
		4	90	1
		4	215	1
113T3161-404		12	110	1
		4	90	1
		4	215	1
113T3161-405		12	110	1
		4	90	1
		4	215	1
113T3161-406		12	110	1
		4	90	1
		4	215	1
113T3161-407		12	110	1
		4	90	1
		4	215	1
113T3161-408		12	110	1
		4	90	1
		4	215	1
113T3161-5		12	110	1
		4	90	1
		4	215	1
113T3161-7		12	110	1
		4	90	1
		4	215	1

57-53-51

 ILLUSTRATED PARTS LIST
 01.1 Page 1040L
 Nov 01/04


BOEING
 COMPONENT
 MAINTENANCE MANUAL

PART NUMBER	AIRLINE PART NO.	FIG.	ITEM	TTL REQ
113T3161-8		4	95	1
		4	220	1
		12	125	1
113T3161-9		4	100	1
		4	225	1
		12	130	1
		4	145A	2
113T3162-1		4	270	2
113T3162-401		12	140	2
113T3163-1		1	590	1
113T3163-2		1	591	1
113T3163-3		1	590A	1
113T3163-4		1	591A	1
113T3163-401		6	723	1
		9	1A	RF
		6	726	1
113T3163-402		9	5	RF
113T3165-1		1	557	1
113T3165-2		1	560	1
113T3165-401		6	456	1
113T3165-402		6	459	1
113T3165-5		1	557A	1
113T3165-6		1	560A	1
113T3166-1		1	496	1
113T3166-2		1	497	1
113T3166-3		1	500	1
		2	1	RF
		1	503	1
113T3166-4		2	5	RF
113T3166-401		6	717	1
		8	1A	RF
		6	720	1
113T3166-402		8	5	RF

57-53-51

 ILLUSTRATED PARTS LIST
 01.1 Page 1040M
 Nov 01/04

PART NUMBER	AIRLINE PART NO.	FIG.	ITEM	TTL REQ
113T3166-5		1	500A	1
		5	1A	RF
113T3166-5001		2	10	1
113T3166-5002		2	15	1
113T3166-5003		2	10A	1
113T3166-5004		2	15A	1
113T3166-6		1	503A	1
		5	5	RF
113T3167-1		1	430	1
113T3167-2		1	433	1
113T3167-401		6	711	1
		7	1A	RF
113T3167-402		6	714	1
		7	5	RF
113T3167-5		1	487	1
113T3167-6		1	487K	2
113T3167-7		1	430A	1
113T3167-8		1	433A	1
113T3168-1		1	614	1
113T3168-2		1	617	1
113T3168-401		6	585	1
113T3168-402		6	588	1
113T3173-1		1	691	1
		6	51	1
113T3173-2		1	693	1
		6	54	1
113T3173-3		1	701	1
		6	63	1
113T3173-4		1	703	1
		6	66	1
113T3173-401		6	282	1
113T3173-402		6	285	1
113T3173-403		6	303	1
113T3173-404		6	306	1
113T3173-405		6	300	1
113T3173-407		6	297	1

57-53-51

 ILLUSTRATED PARTS LIST
 01.1 Page 1040N
 Nov 01/04


BOEING
 COMPONENT
 MAINTENANCE MANUAL

PART NUMBER	AIRLINE PART NO.	FIG.	ITEM	TTL REQ
113T3175-1		1	525	1
113T3175-10		2	195	1
		5	185	1
		5	195	1
113T3175-11		2	200	1
113T3175-12		2	205	1
113T3175-13		2	165	1
		5	155	1
113T3175-14		2	170	1
		5	160	1
113T3175-15		2	175	1
		5	165	1
113T3175-16		2	180	1
		5	170	1
113T3175-17		2	185	1
		5	175	1
113T3175-19		1	480	1
		7	110	1
113T3175-2		1	526	1
113T3175-20		1	481	1
		7	115	1
113T3175-21		2	200A	1
		5	190	1
113T3175-22		2	205A	1
113T3175-3		1	528	1
113T3175-4		1	529	1
113T3175-401		6	93	1
113T3175-402		6	96	1
113T3175-403		6	108	1
113T3175-404		6	111	1
113T3175-405		6	120	1
113T3175-406		6	123	1
113T3175-407		6	135	1
113T3175-408		6	138	1
113T3175-409		6	147	1
113T3175-410		6	150	1
113T3175-411		6	168	1
113T3175-412		6	171	1
113T3175-413		6	225	1
113T3175-415		6	216	1
113T3175-416		6	219	1
113T3175-417		6	198	1
113T3175-418		6	201	1
113T3175-419		7	75	1
113T3175-420		7	80	1
113T3175-5		1	530	1

57-53-51

 ILLUSTRATED PARTS LIST
 01.1 Page 10400
 Nov 01/04

PART NUMBER	AIRLINE PART NO.	FIG.	ITEM	TTL REQ
113T3175-6		1	531	1
113T3175-9		2	190	1
		5	180	1
113T3176-1		1	263	1
113T3176-2		1	260	1
113T3176-401		6	432	1
113T3176-402		6	435	1
113T3176-403		6	444	1
113T3176-404		6	447	1
113T3176-405		6	438	1
113T3176-406		6	441	1
113T3176-407		6	450	1
113T3176-408		6	453	1
113T3176-5		1	269	1
113T3176-6		1	266	1
113T3177-1		1	533	1
		2	55	1
		5	45	1
113T3177-2		1	536	1
		2	60	1
		5	50	1
113T3177-3		1	470	1
113T3177-4		1	471	1
113T3177-5		1	543	1
		2	71	1
		5	61	1
113T3177-6		1	544	1
		2	72	1
		5	62	1
113T3177-7		1	477	1
113T3177-8		1	478	1

57-53-51

 ILLUSTRATED PARTS LIST
 01.1 Page 1040P
 Nov 01/04


BOEING
 COMPONENT
 MAINTENANCE MANUAL

PART NUMBER	AIRLINE PART NO.	FIG.	ITEM	TTL REQ
113T3179-401		9	90	1
113T3179-402		9	95	1
113T3180-1		9	80	1
113T3180-2		9	85	1
113T3181-1		9	110	1
113T3181-2		9	115	1
113T3181-3		9	100	1
113T3181-4		9	105	1
113T3182-1		1	319B	1
113T3182-2		1	322B	1
113T3183-1		1	721	19
113T3183-1		6	804	19
113T3183-3		1	713	2
		6	792	2
113T3183-4		1	715	2
		6	795	2
113T3183-5		1	717	4
		6	798	4
113T3183-6		1	719	4
		6	801	4
113W3569-1		8	115	1
43600-054		1	229	6
		6	354	6
48FT1612		1	546	1
		2	73	1
		5	63	1
60B00178-650		1	547	2
		2	75A	2
		5	65A	2
66014-10		1	656	4
66014-12		1	582F	2

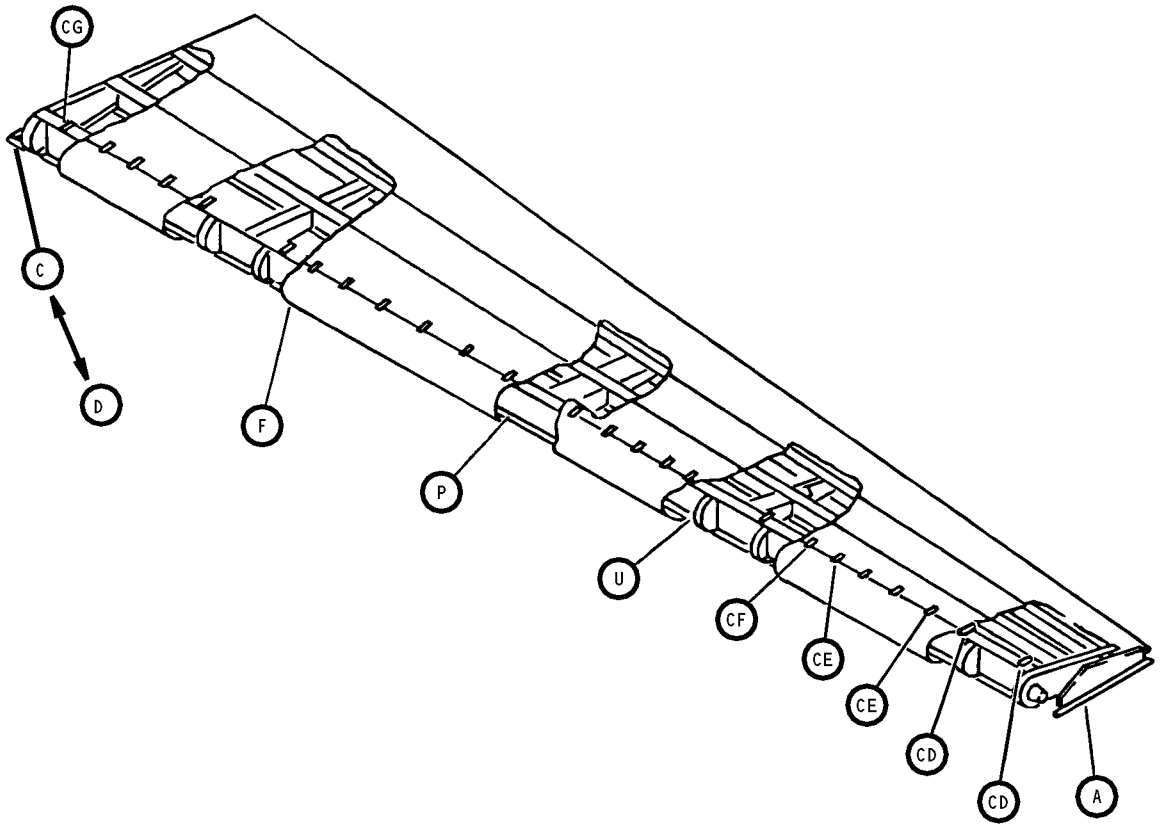
57-53-51

 ILLUSTRATED PARTS LIST
 01.1 Page 1040Q
 Nov 01/04

PART NUMBER	AIRLINE PART NO.	FIG.	ITEM	TTL REQ
66014-6		1	428	283
		1	468A	22
		1	472L	5
		1	489L	3
		1	538	4
		1	549R	16
		1	582M	7
		1	610	65
		1	657	14
		2	63	4
		2	125	16
		4	11	2
		4	80	49
		4	205	49
		5	53	4
		5	115	16
		66014-8		1
1	654			16
96-048		1	231	4

57-53-51

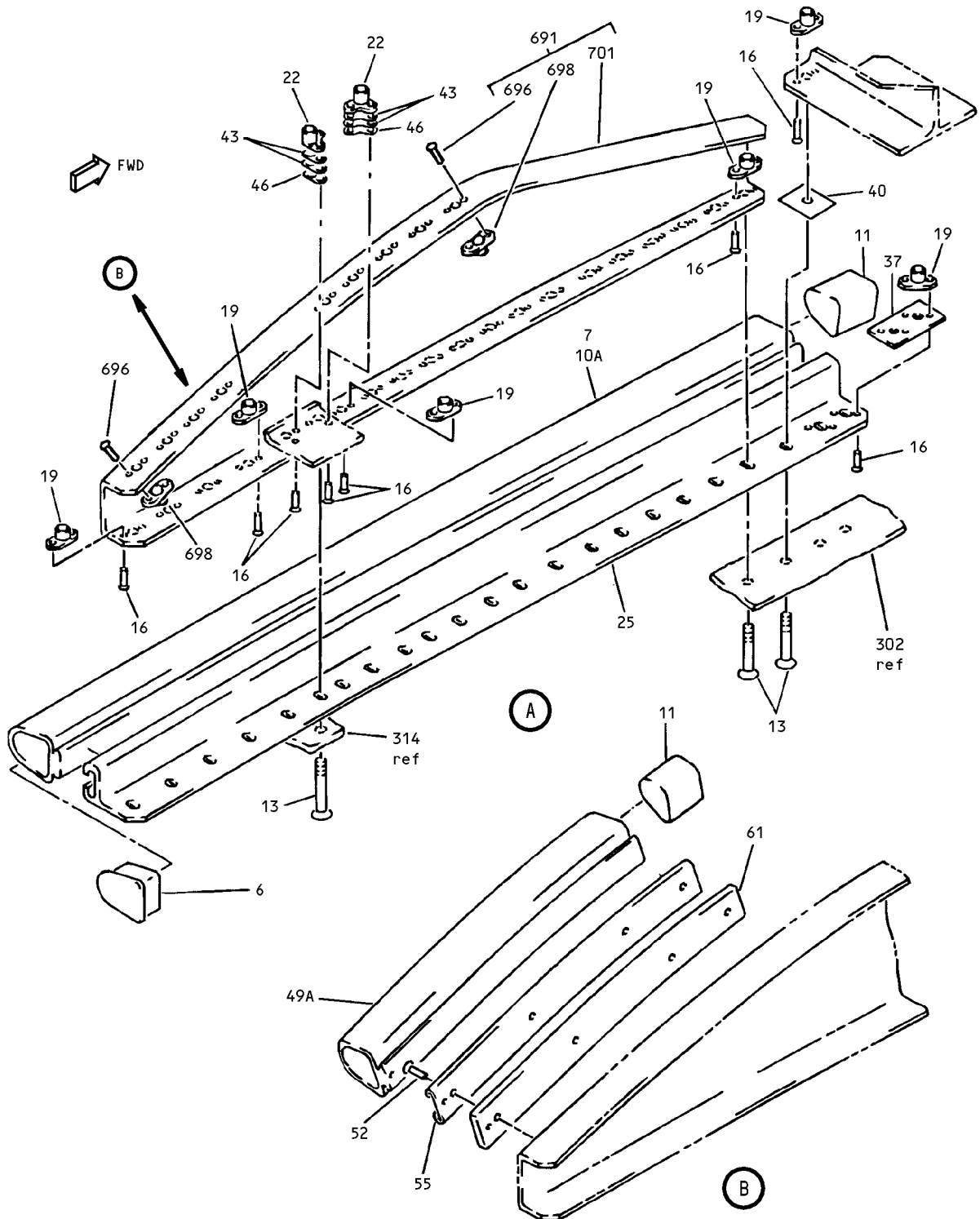
 ILLUSTRATED PARTS LIST
 01.1 Page 1040R
 Nov 01/04



Outboard Trailing Edge Flap Assembly
Figure 1 (Sheet 1)

57-53-51

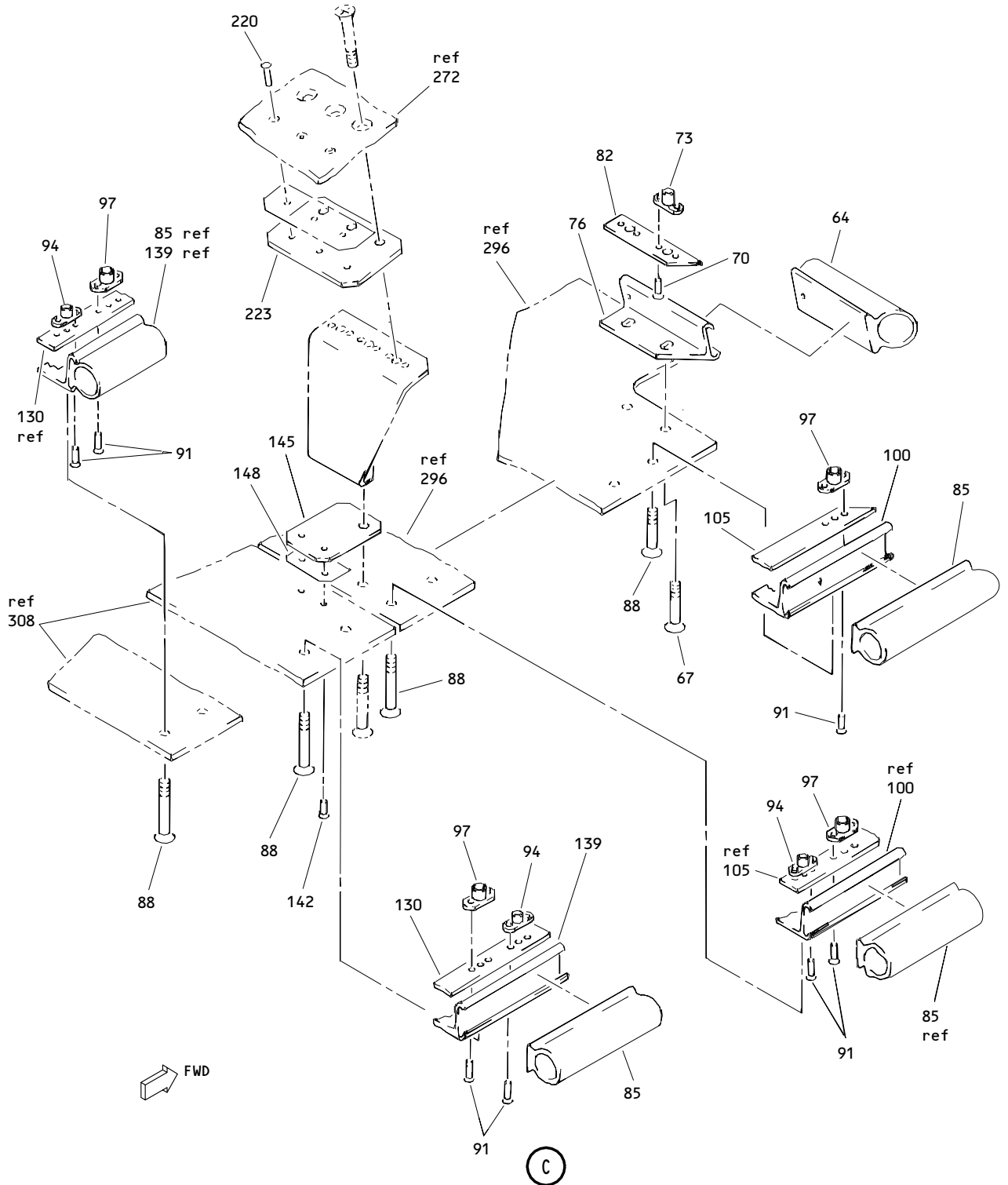
ILLUSTRATED PARTS LIST
01.1 Page 1040S
Nov 01/04



Outboard Trailing Edge Flap Assembly
 Figure 1 (Sheet 2)

57-53-51

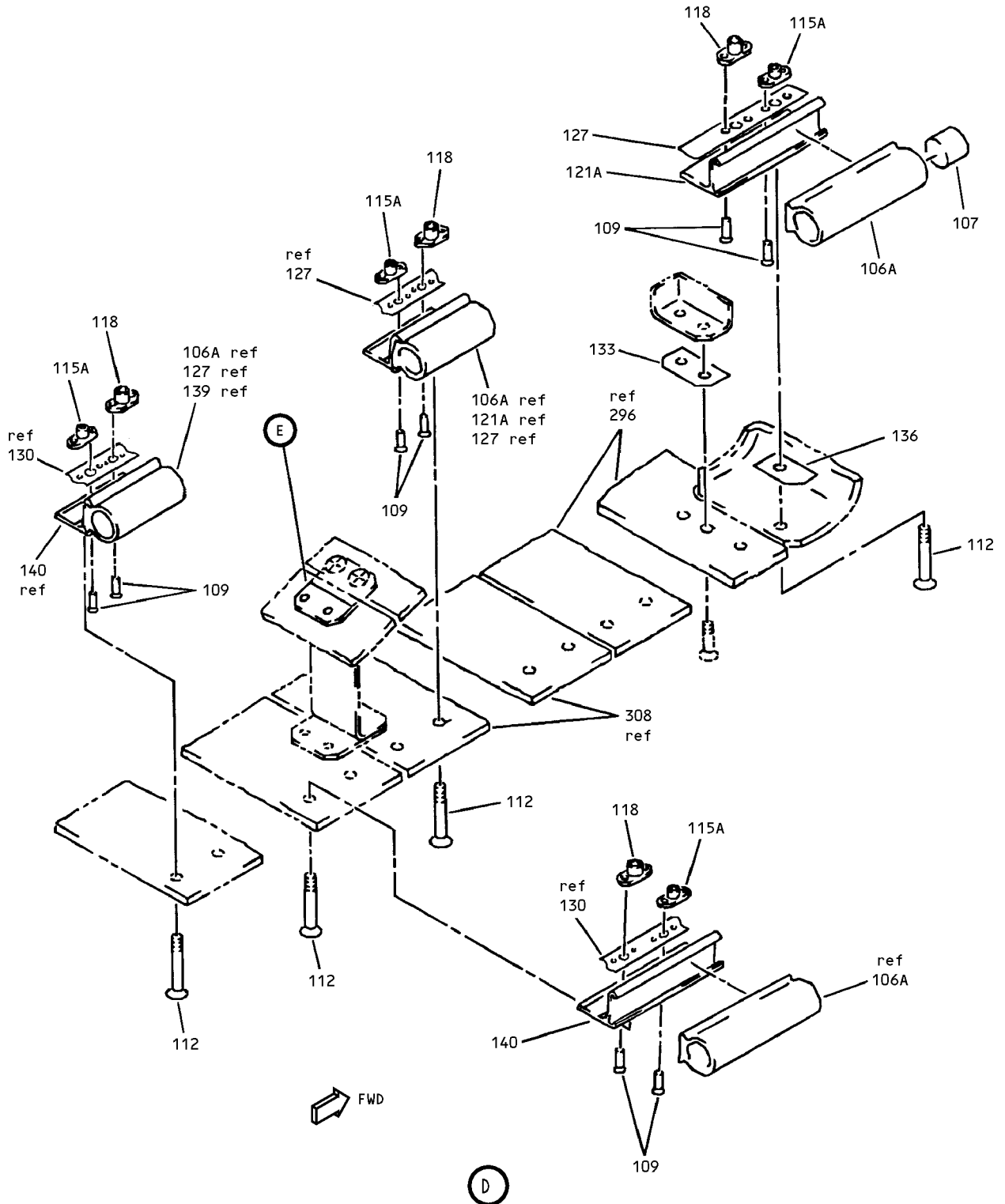
ILLUSTRATED PARTS LIST
 01.1 Page 1040T
 Nov 01/04



Outboard Trailing Edge Flap Assembly
Figure 1 (Sheet 3)

57-53-51

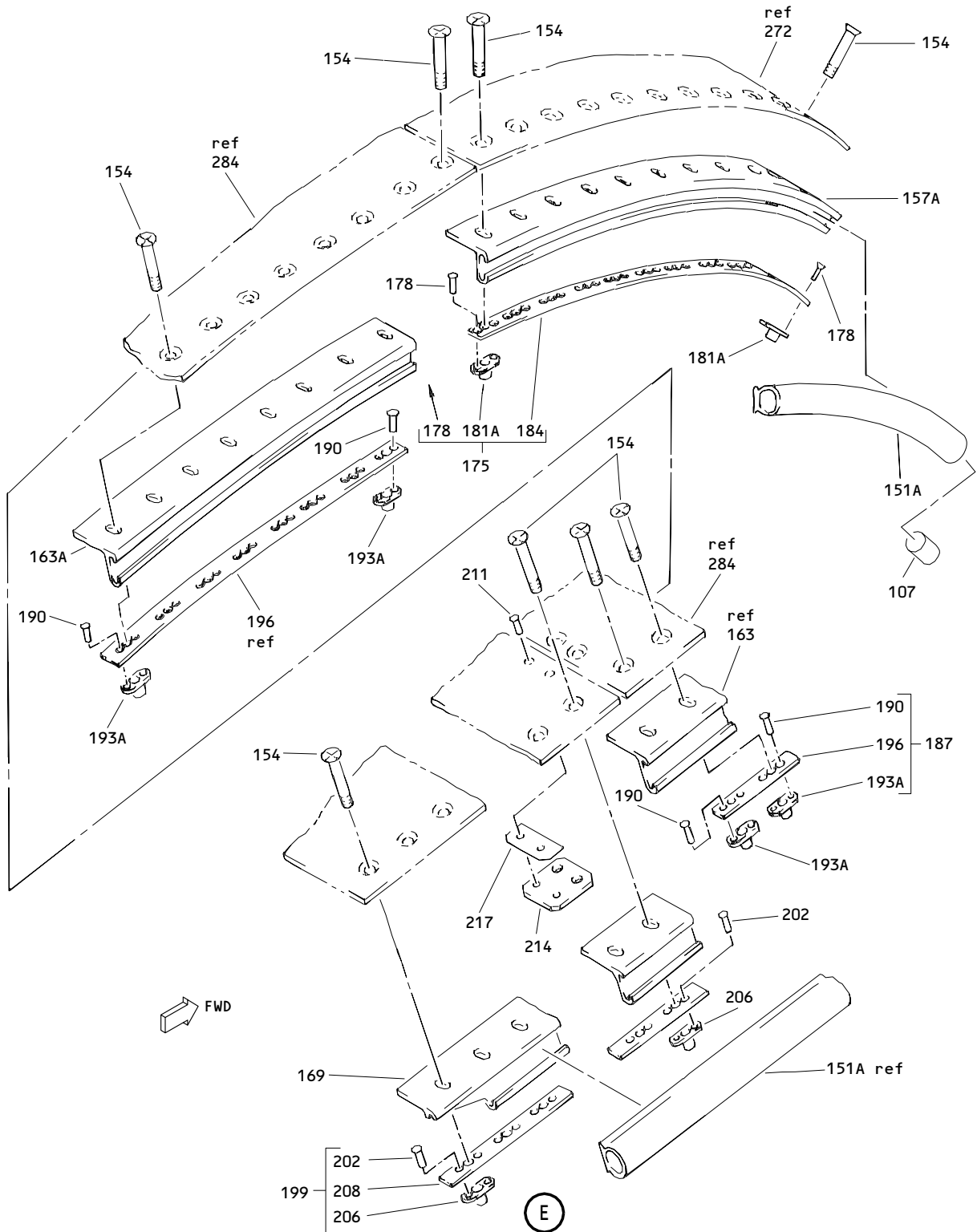
ILLUSTRATED PARTS LIST
01.1 Page 1040U
Nov 01/04



Outboard Trailing Edge Flap Assembly
 Figure 1 (Sheet 4)

57-53-51

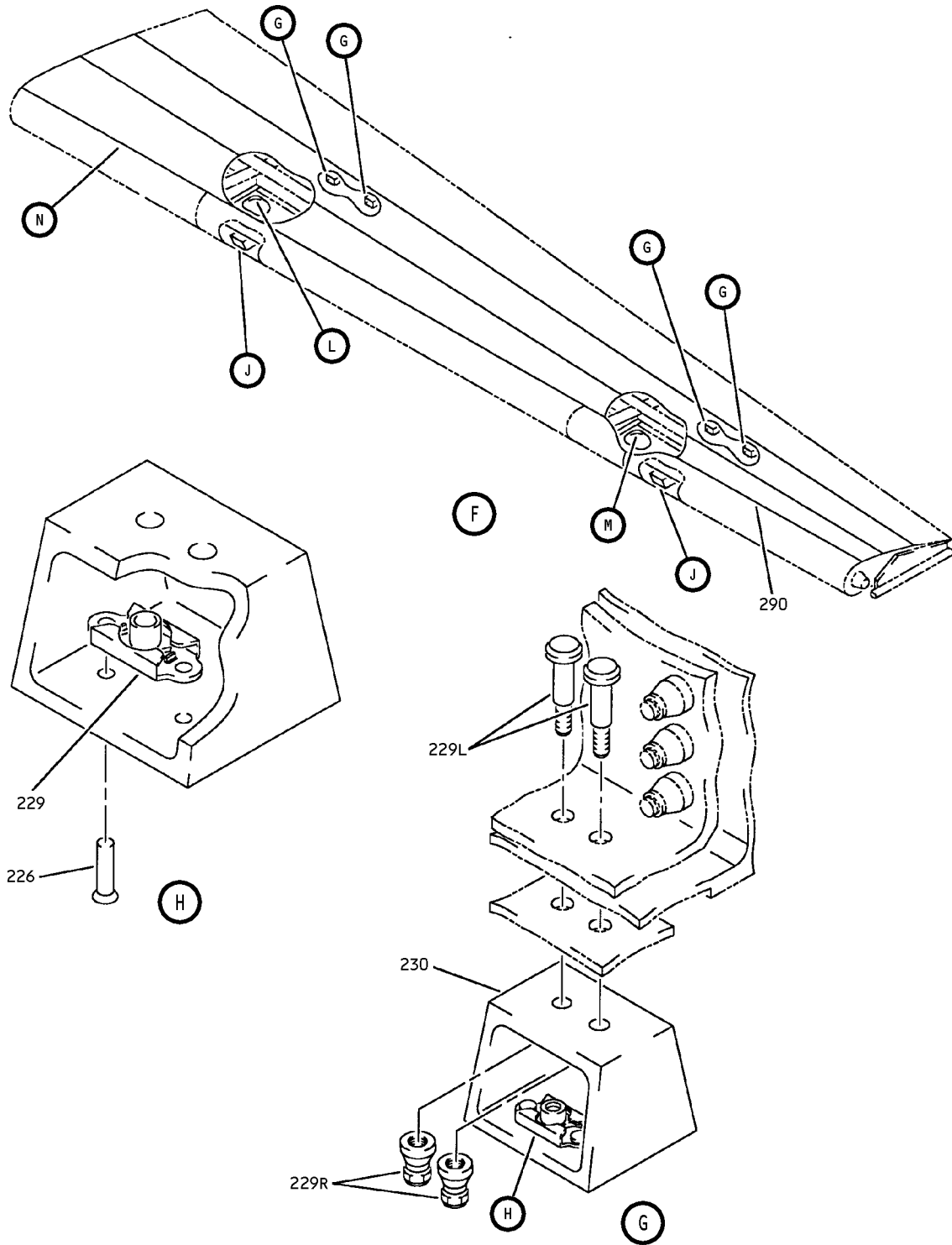
ILLUSTRATED PARTS LIST
 01.1 Page 1040V
 Nov 01/04



Outboard Trailing Edge Flap Assembly
 Figure 1 (Sheet 5)

57-53-51

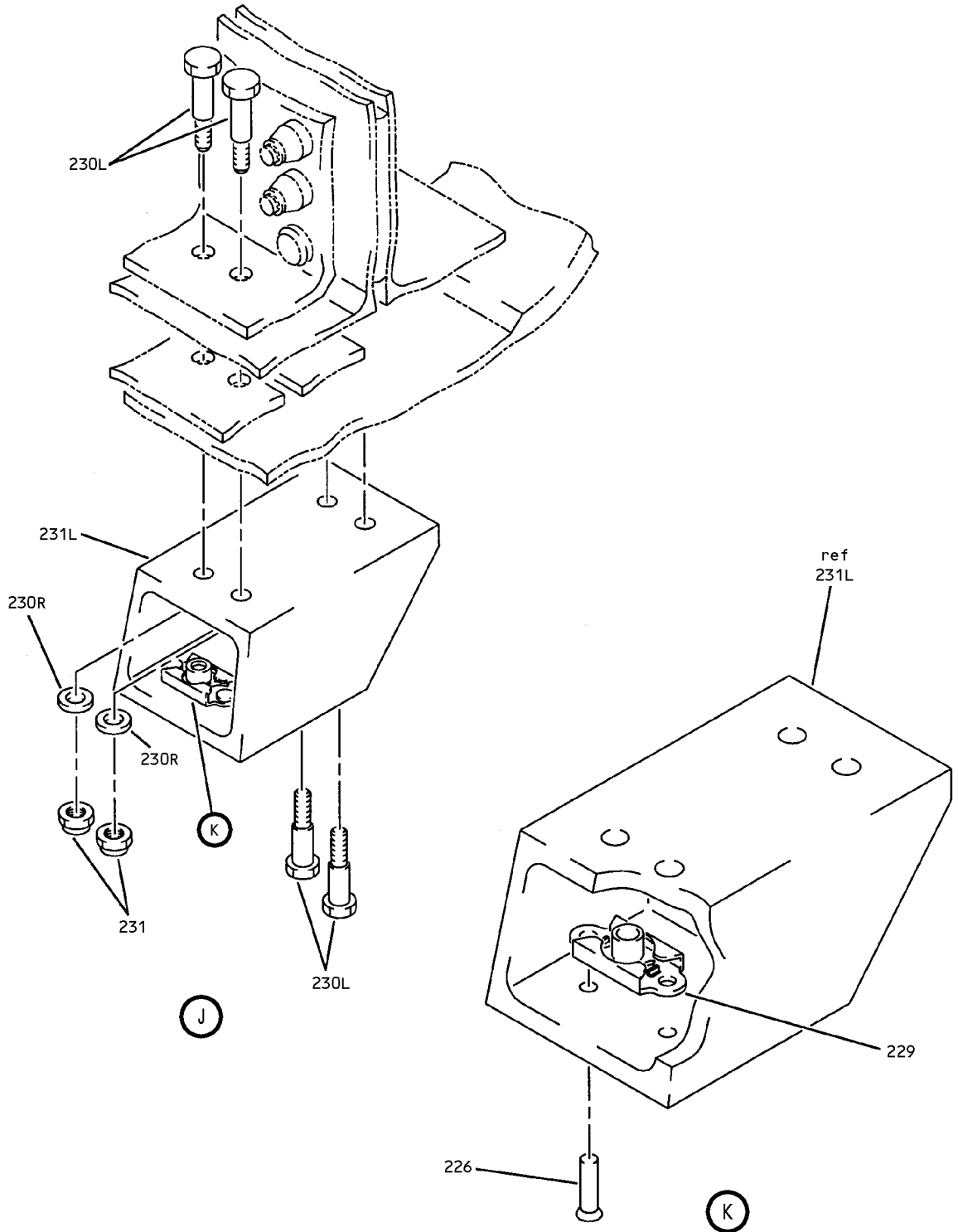
ILLUSTRATED PARTS LIST
 01.1 Page 1040W
 Nov 01/04



Outboard Trailing Edge Flap Assembly
 Figure 1 (Sheet 6)

57-53-51

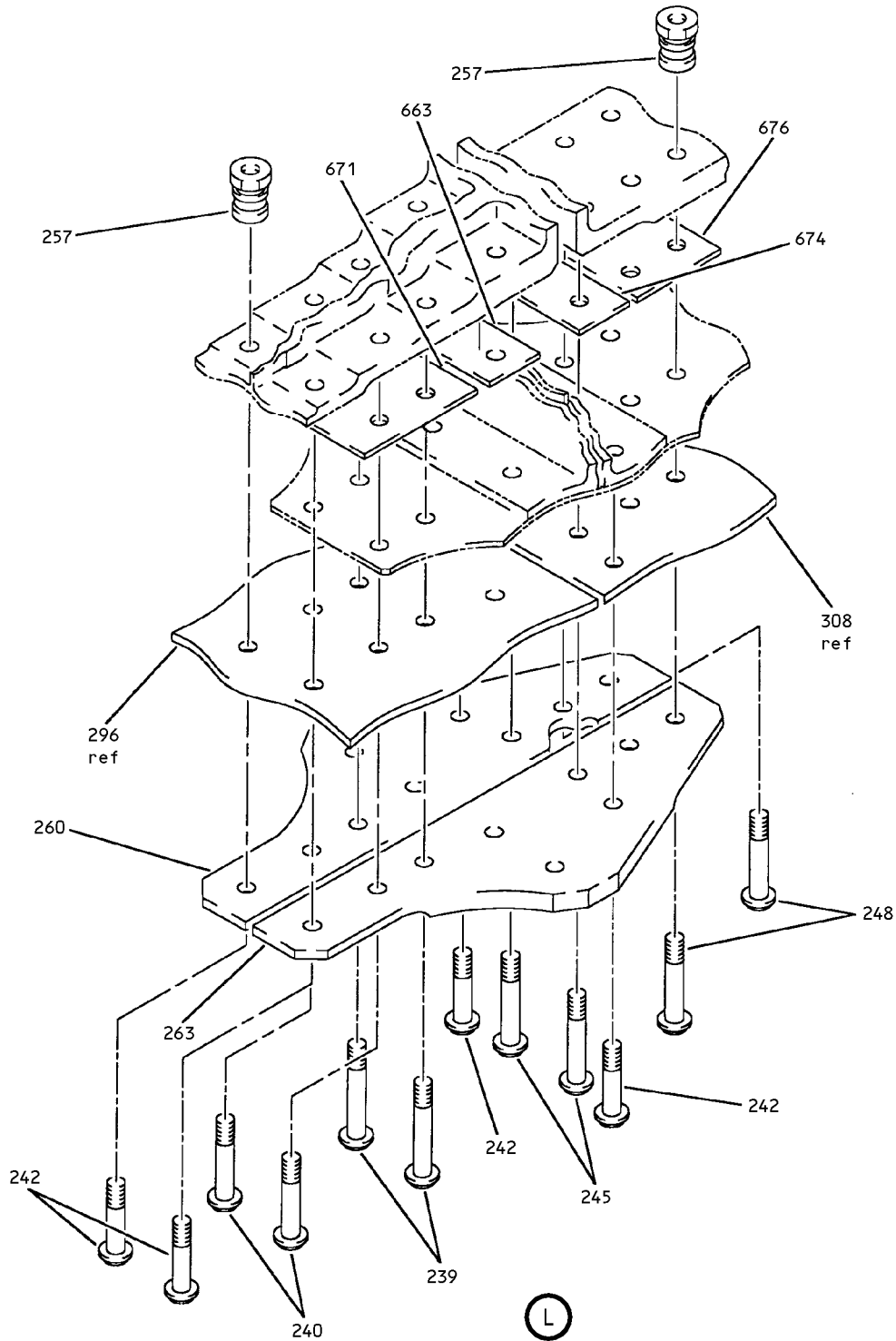
ILLUSTRATED PARTS LIST
 01.1 Page 1040X
 Nov 01/04



Outboard Trailing Edge Flap Assembly
Figure 1 (Sheet 7)

57-53-51

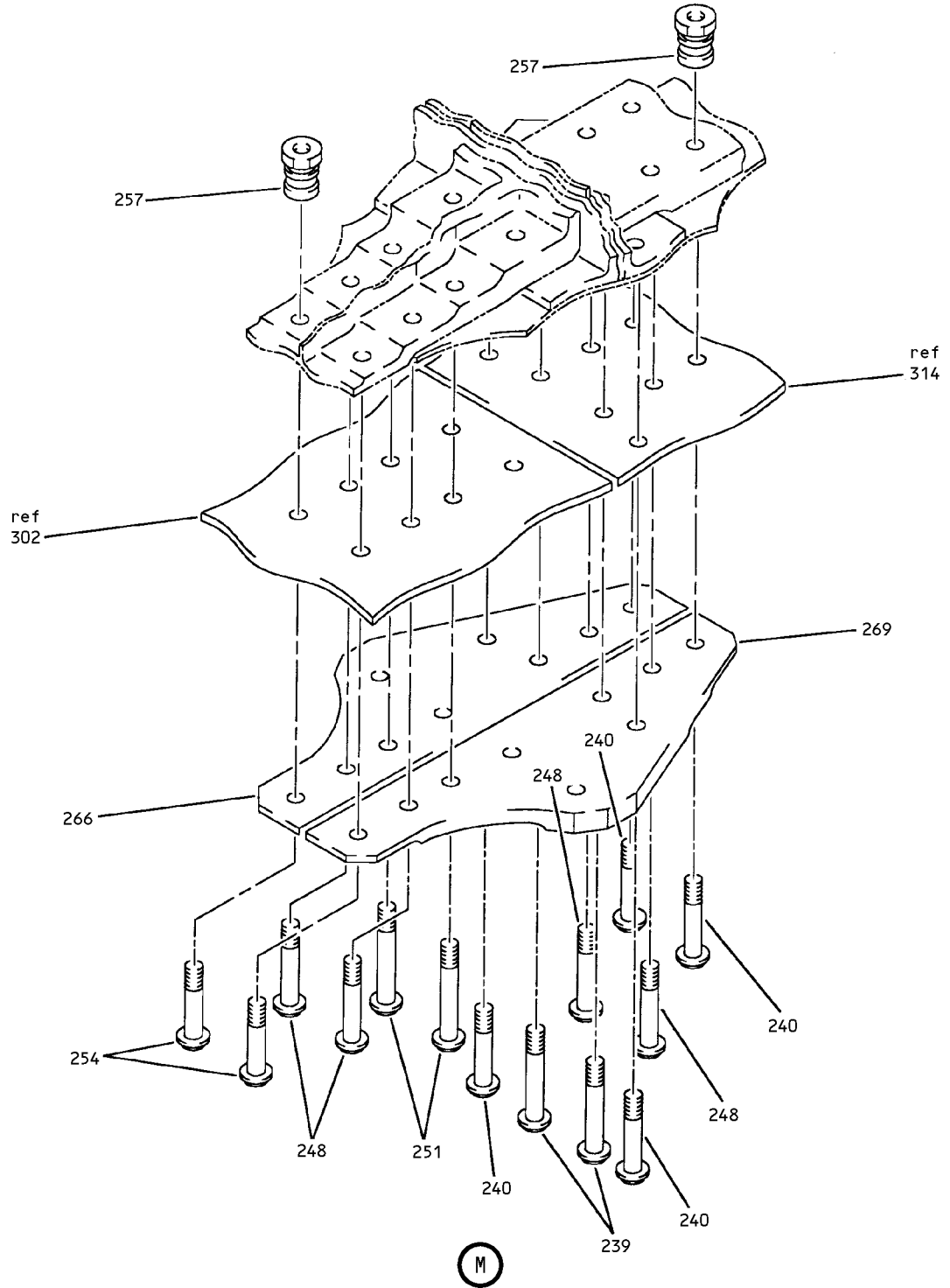
ILLUSTRATED PARTS LIST
01.1 Page 1040Y
Nov 01/04



Outboard Trailing Edge Flap Assembly
 Figure 1 (Sheet 8)

57-53-51

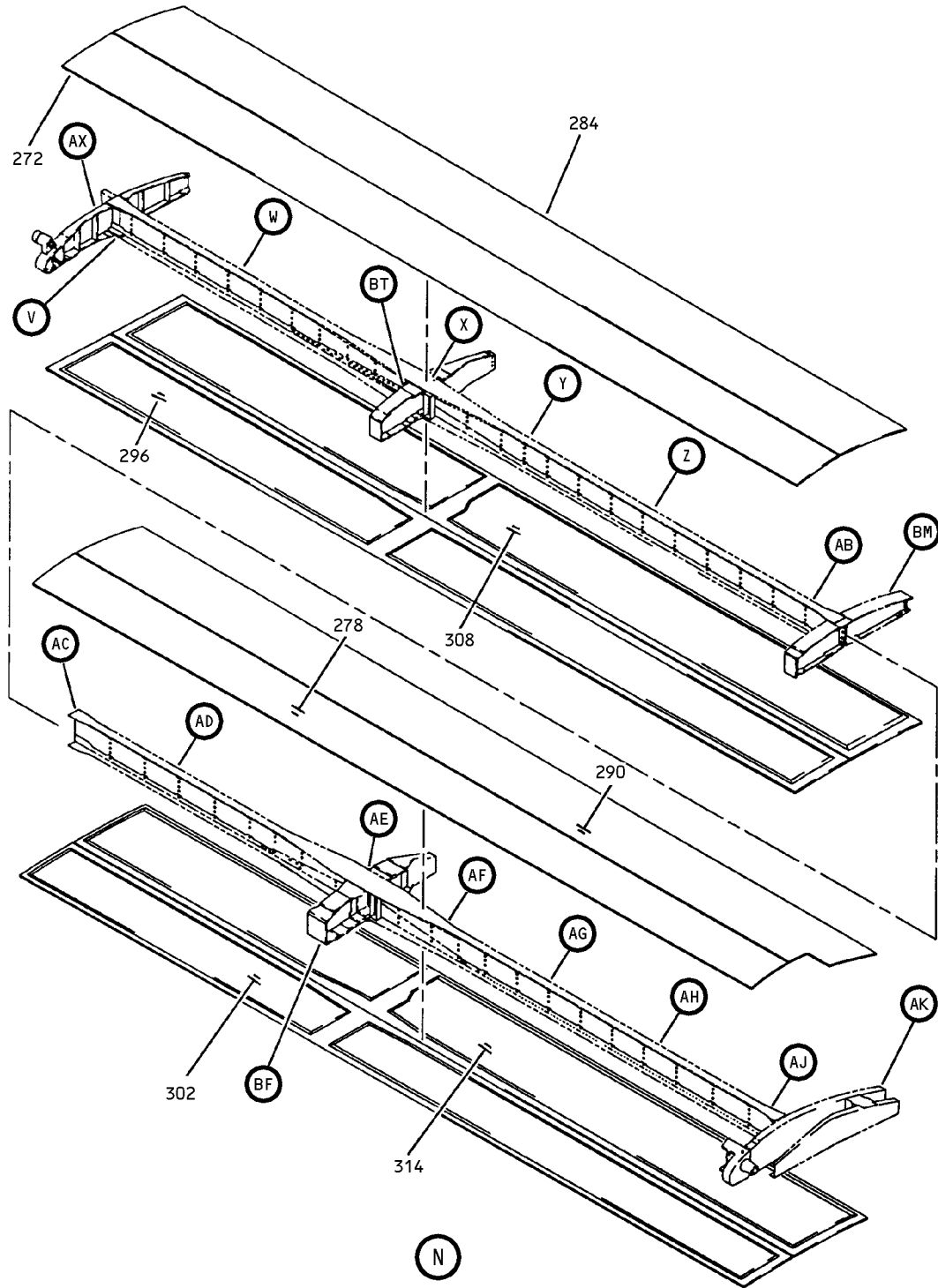
ILLUSTRATED PARTS LIST
 01.1 Page 1040Z
 Nov 01/04



Outboard Trailing Edge Flap Assembly
Figure 1 (Sheet 9)

57-53-51

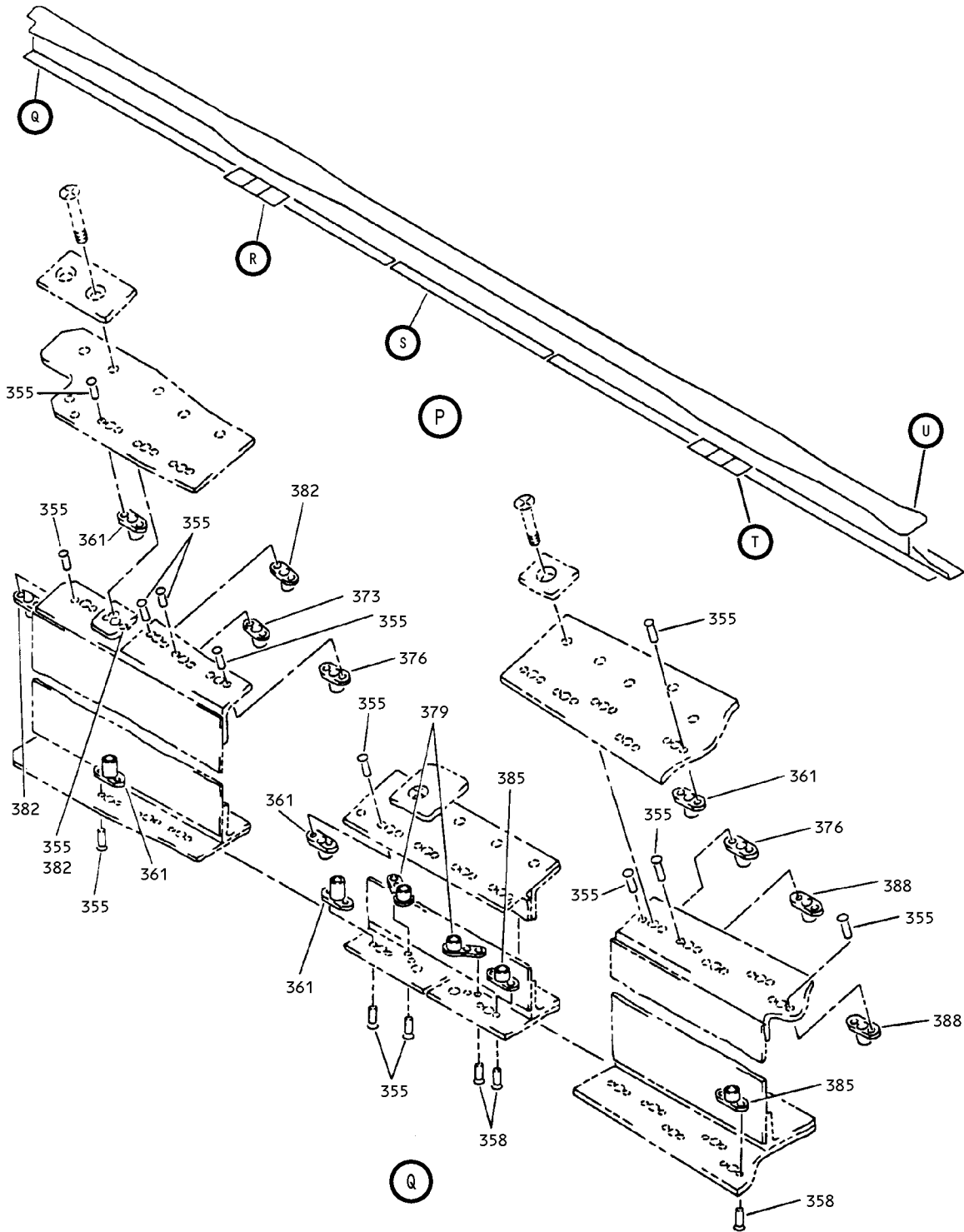
ILLUSTRATED PARTS LIST
01.1 Page 1041
Nov 01/04



Outboard Trailing Edge Flap Assembly
 Figure 1 (Sheet 10)

57-53-51

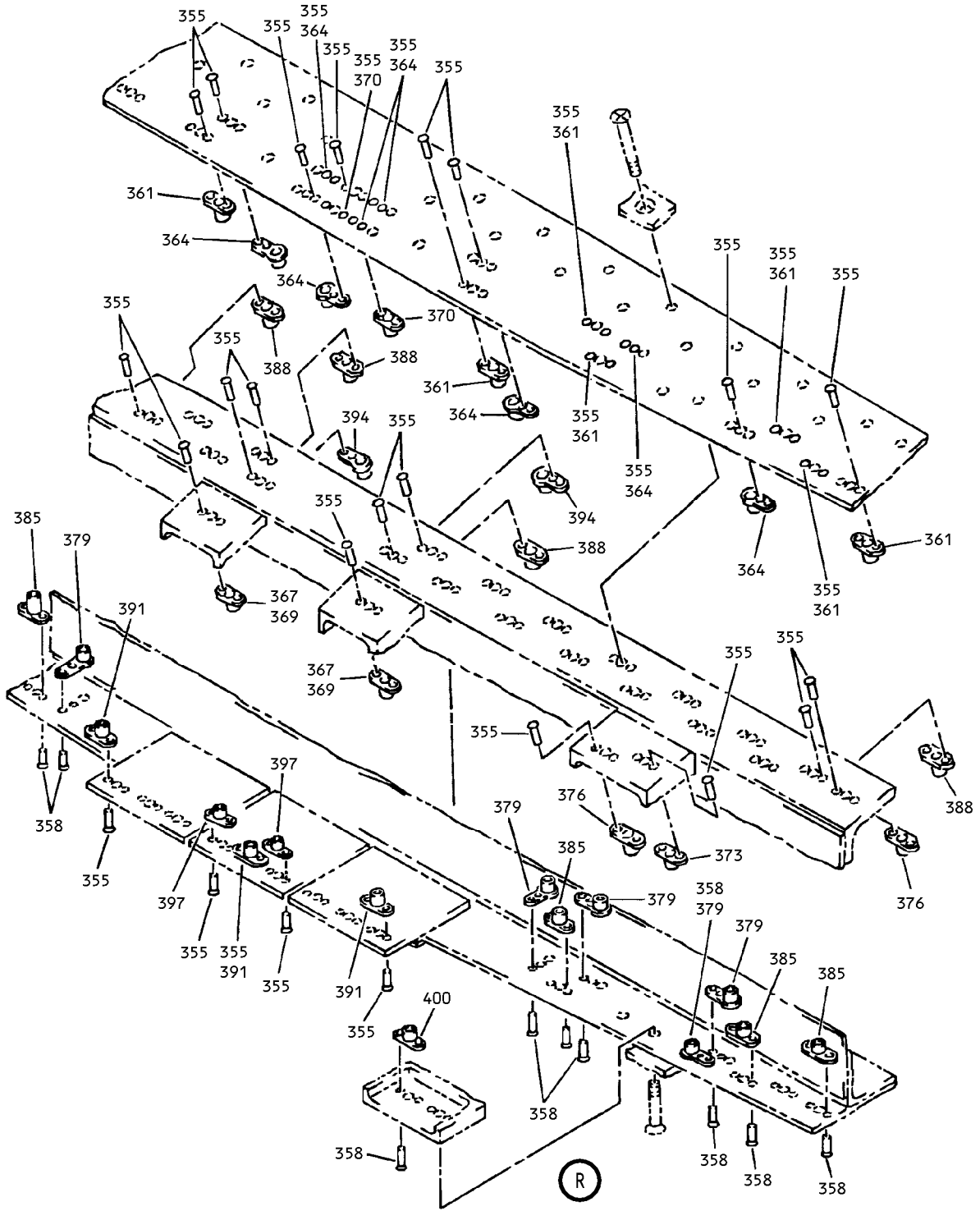
ILLUSTRATED PARTS LIST
 01.1 Page 1042
 Nov 01/04



Outboard Trailing Edge Flap Assembly
 Figure 1 (Sheet 11)

57-53-51

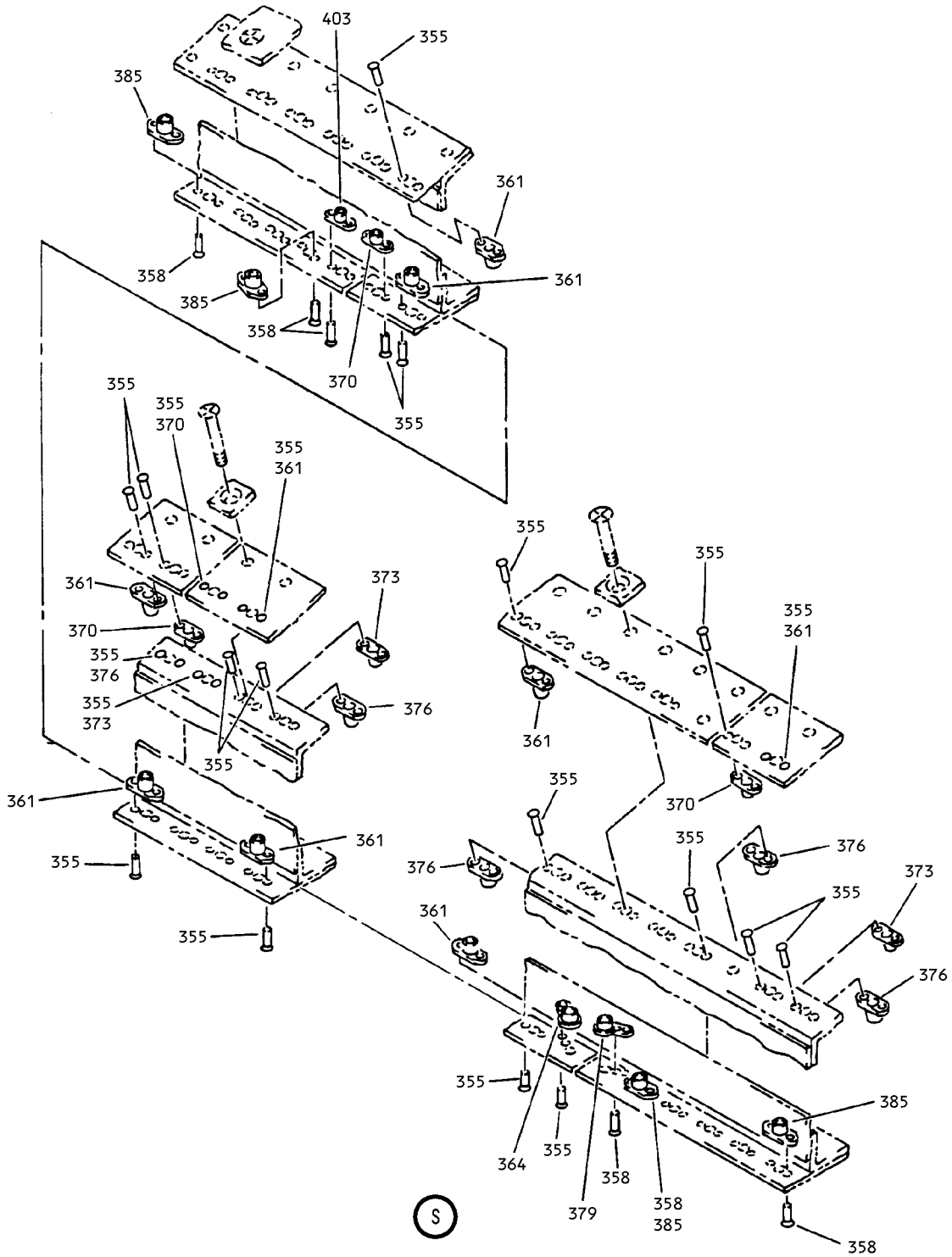
ILLUSTRATED PARTS LIST
 01.1 Page 1042A
 Nov 01/04



Outboard Trailing Edge Flap Assembly
Figure 1 (Sheet 12)

57-53-51

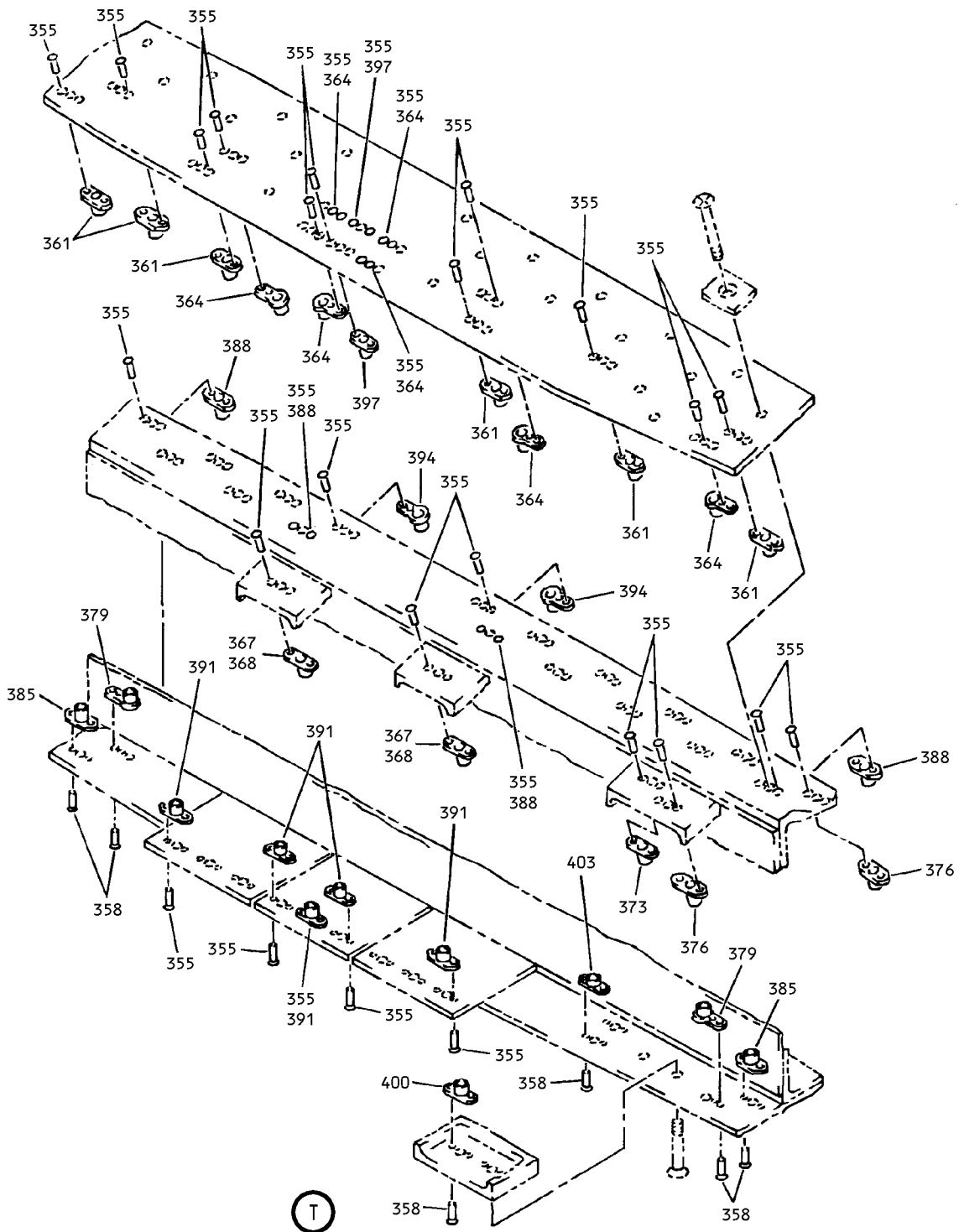
ILLUSTRATED PARTS LIST
01.1 Page 1042B
Nov 01/04



Outboard Trailing Edge Flap Assembly
 Figure 1 (Sheet 13)

57-53-51

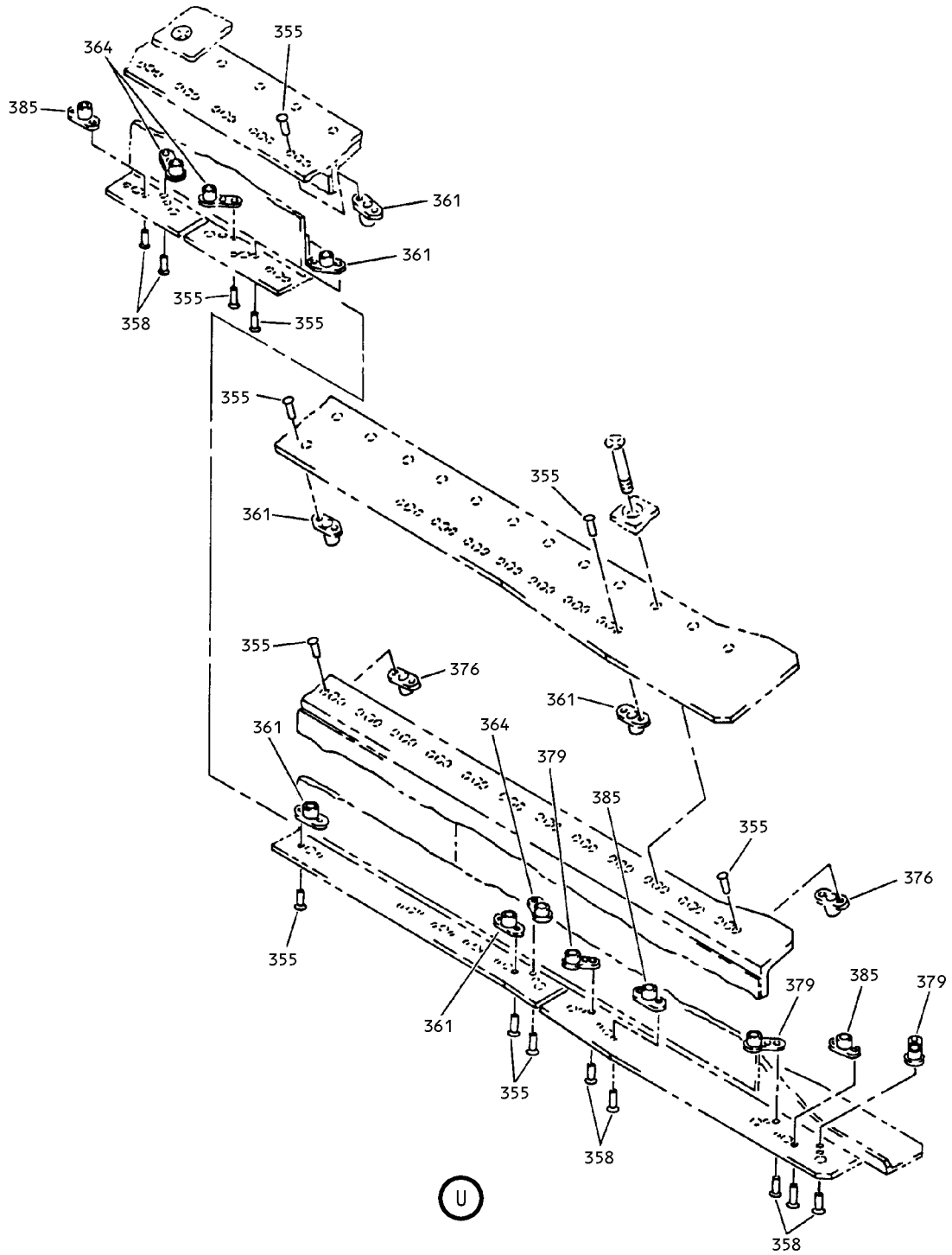
ILLUSTRATED PARTS LIST
 01.1 Page 1042C
 Nov 01/04



Outboard Trailing Edge Flap Assembly
 Figure 1 (Sheet 14)

57-53-51

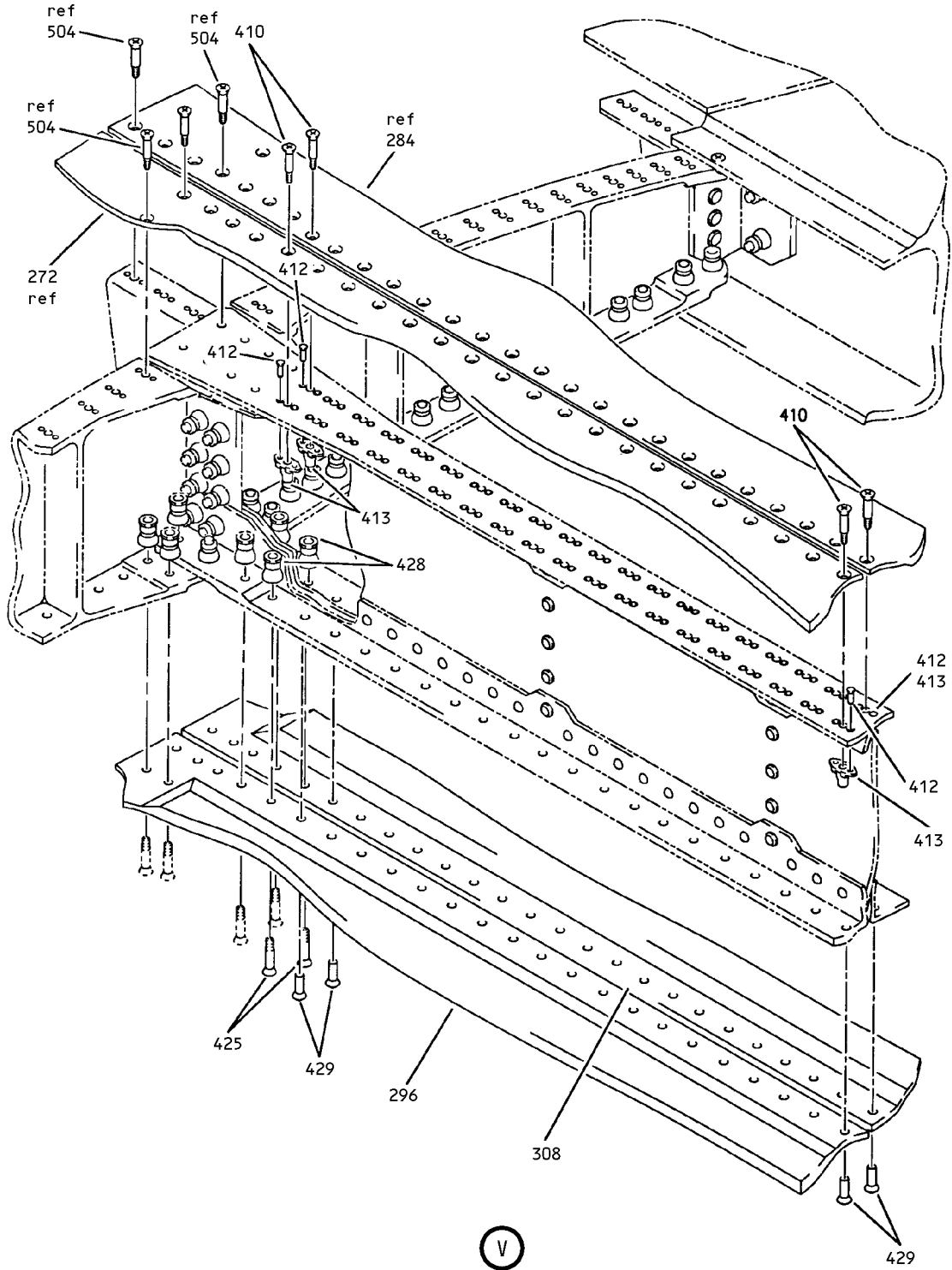
ILLUSTRATED PARTS LIST
 01.1 Page 1042D
 Nov 01/04



Outboard Trailing Edge Flap Assembly
 Figure 1 (Sheet 15)

57-53-51

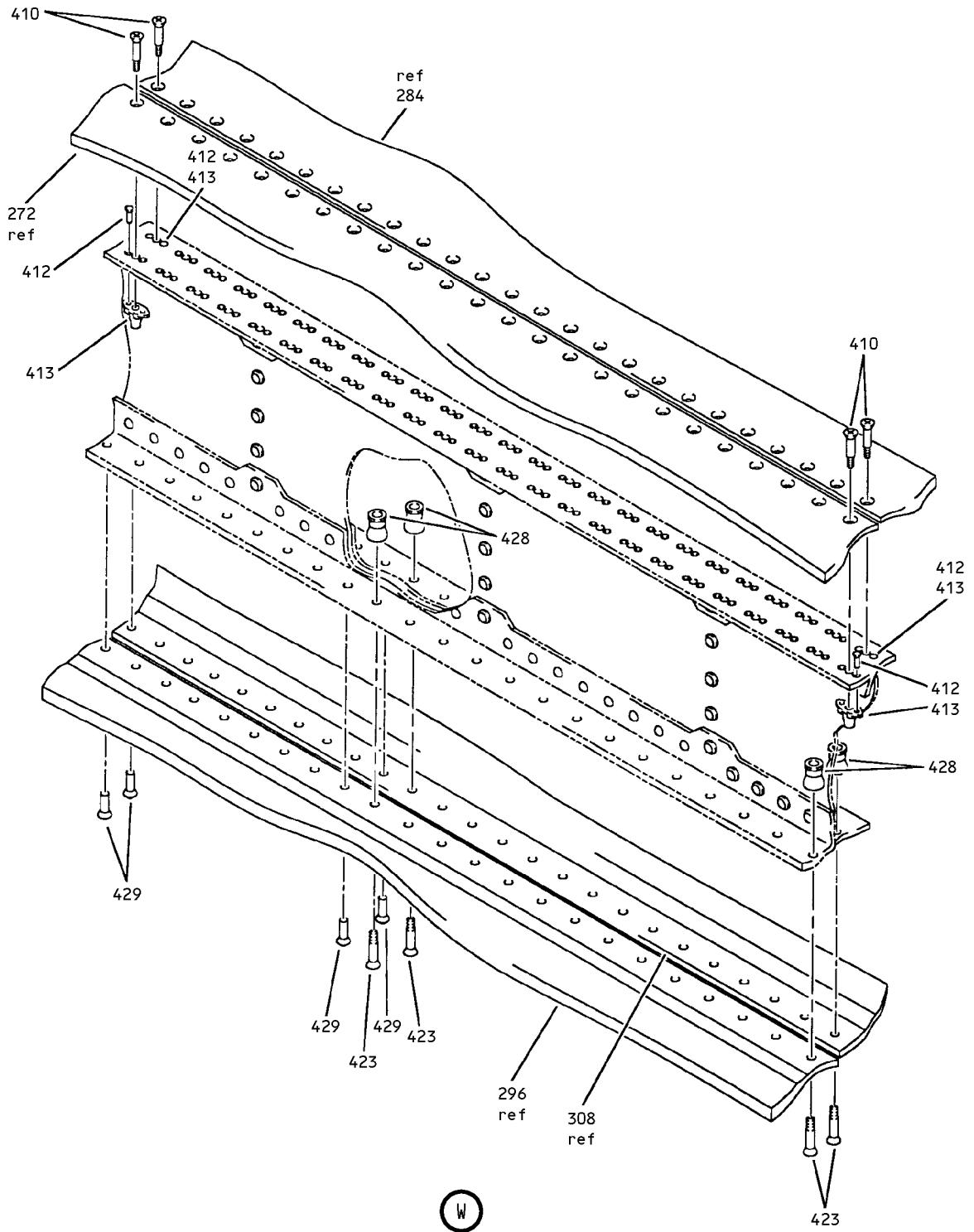
ILLUSTRATED PARTS LIST
 01.1 Page 1042E
 Nov 01/04



Outboard Trailing Edge Flap Assembly
Figure 1 (Sheet 16)

57-53-51

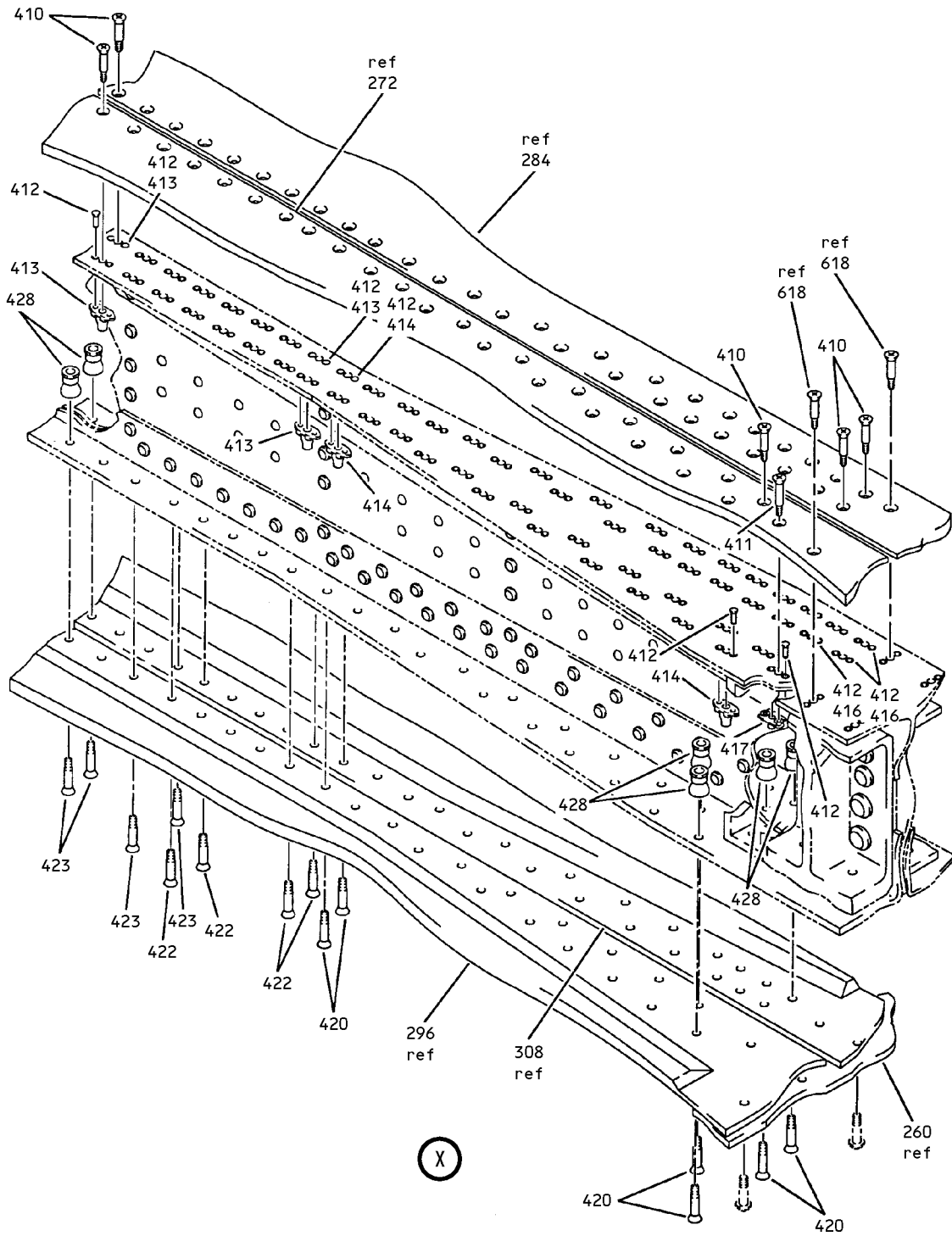
ILLUSTRATED PARTS LIST
01.1 Page 1042F
Nov 01/04



Outboard Trailing Edge Flap Assembly
Figure 1 (Sheet 17)

57-53-51

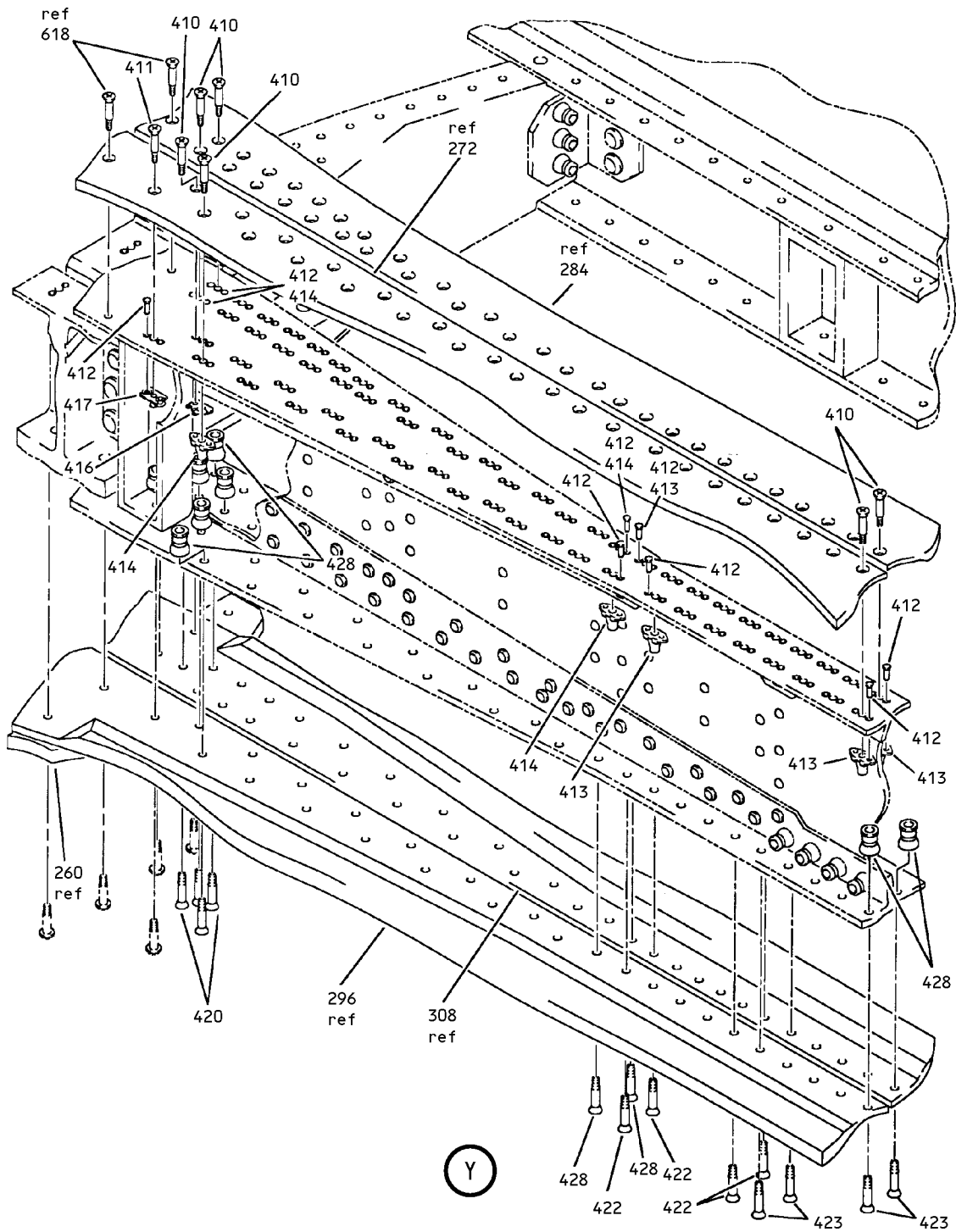
ILLUSTRATED PARTS LIST
01.1 Page 1042G
Nov 01/04



Outboard Trailing Edge Flap Assembly
 Figure 1 (Sheet 18)

57-53-51

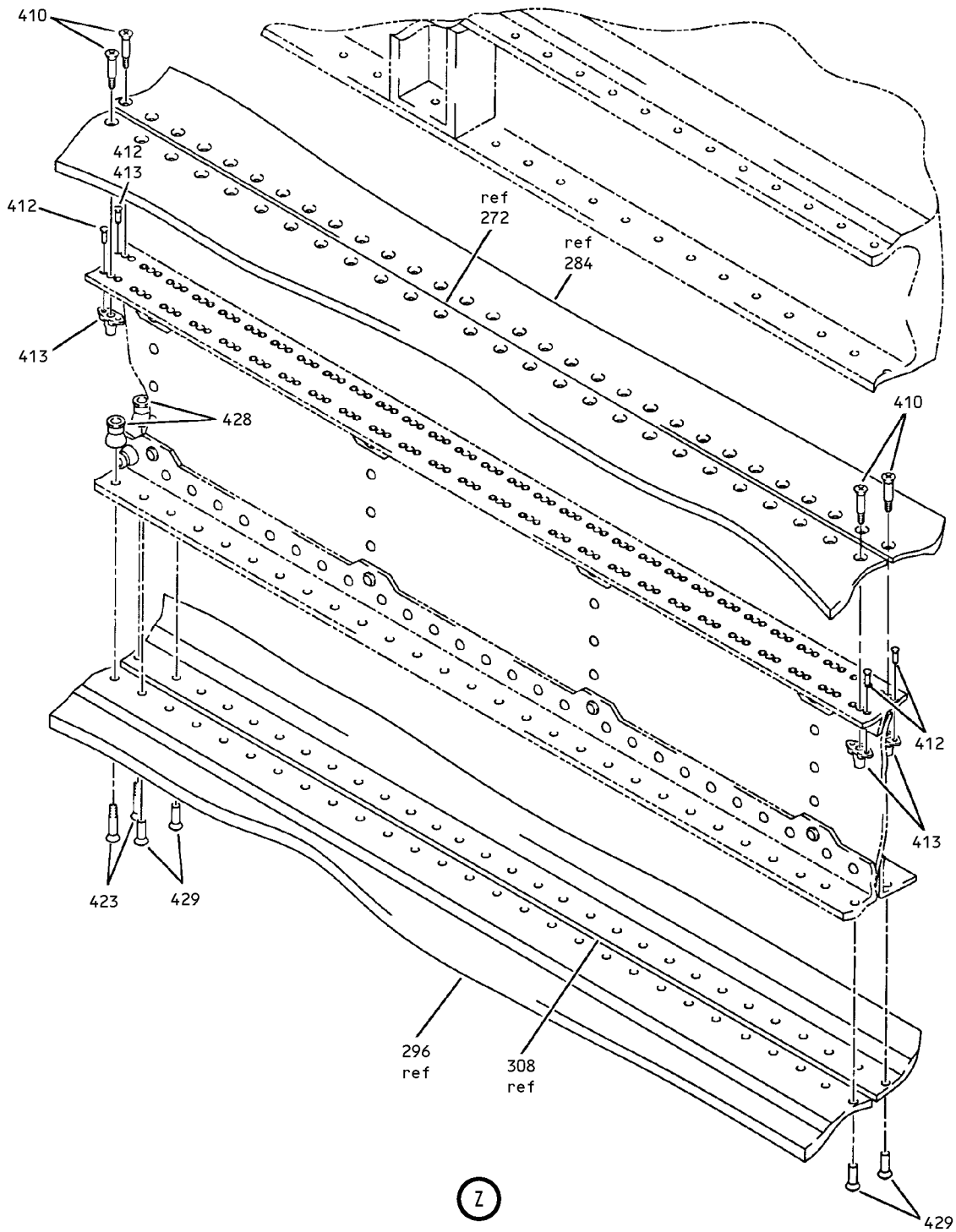
ILLUSTRATED PARTS LIST
 01.1 Page 1042H
 Nov 01/04



Outboard Trailing Edge Flap Assembly
Figure 1 (Sheet 19)

57-53-51

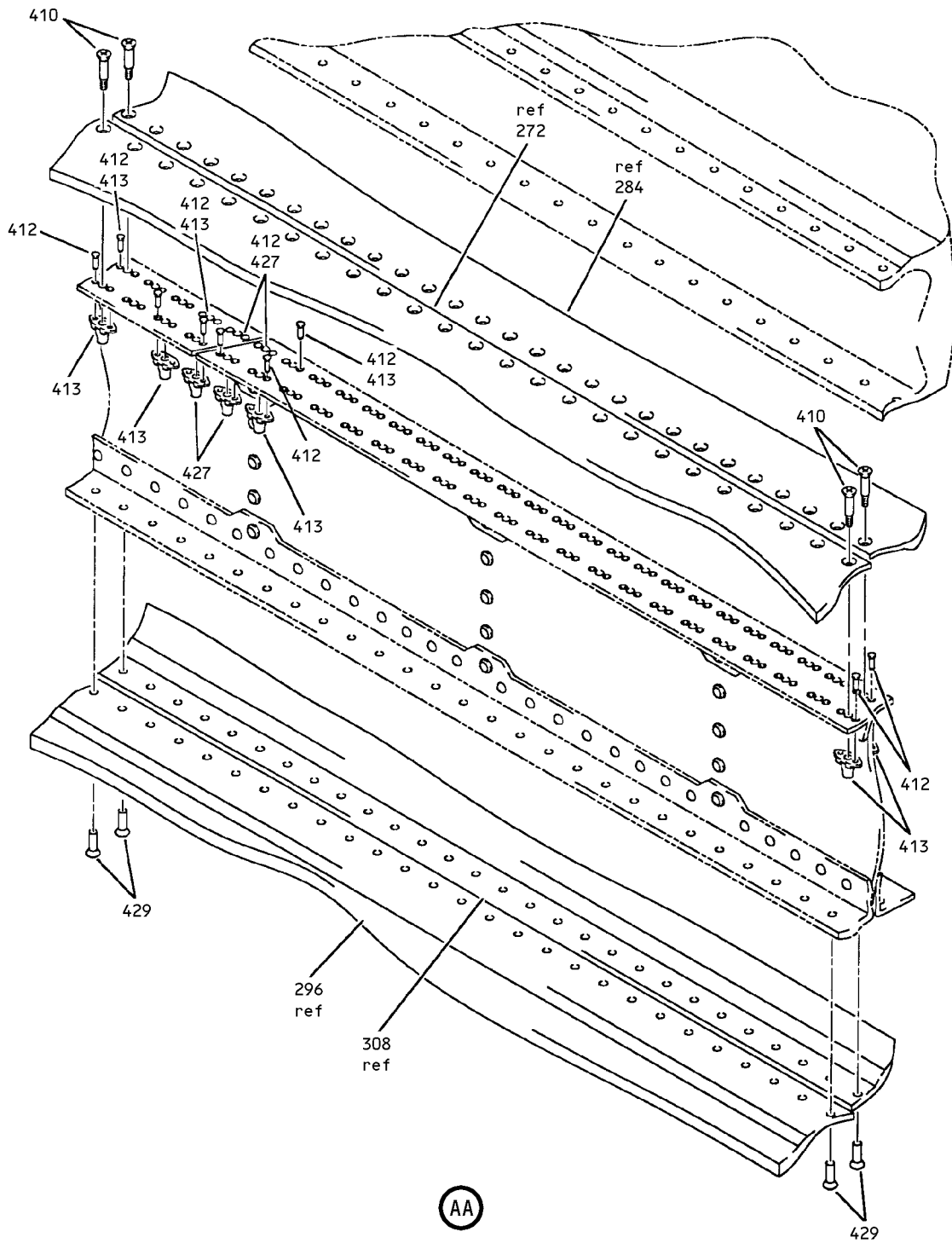
ILLUSTRATED PARTS LIST
01.1 Page 1042I
Nov 01/04



Outboard Trailing Edge Flap Assembly
Figure 1 (Sheet 20)

57-53-51

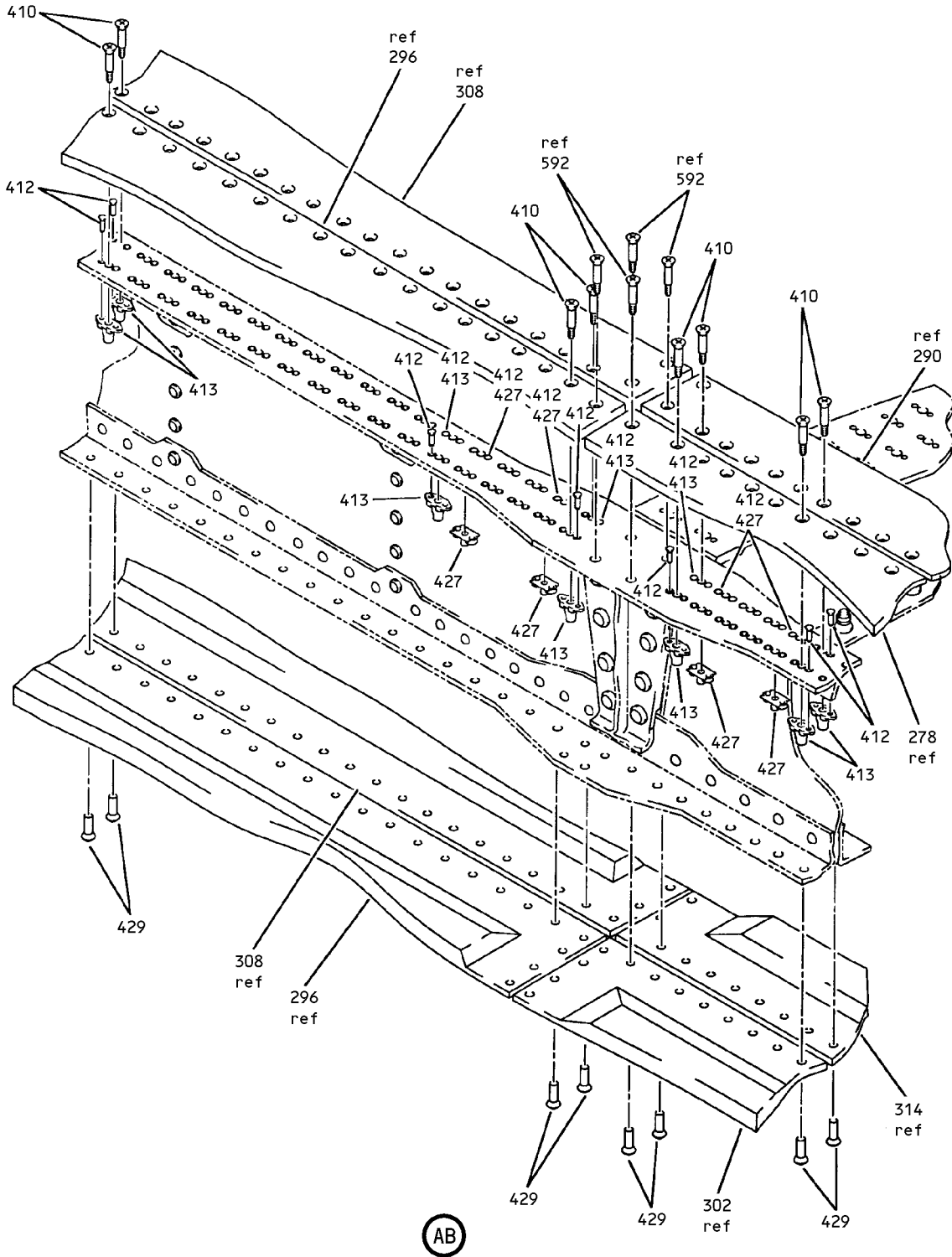
ILLUSTRATED PARTS LIST
01.1 Page 1042J
Nov 01/04



Outboard Trailing Edge Flap Assembly
Figure 1 (Sheet 21)

57-53-51

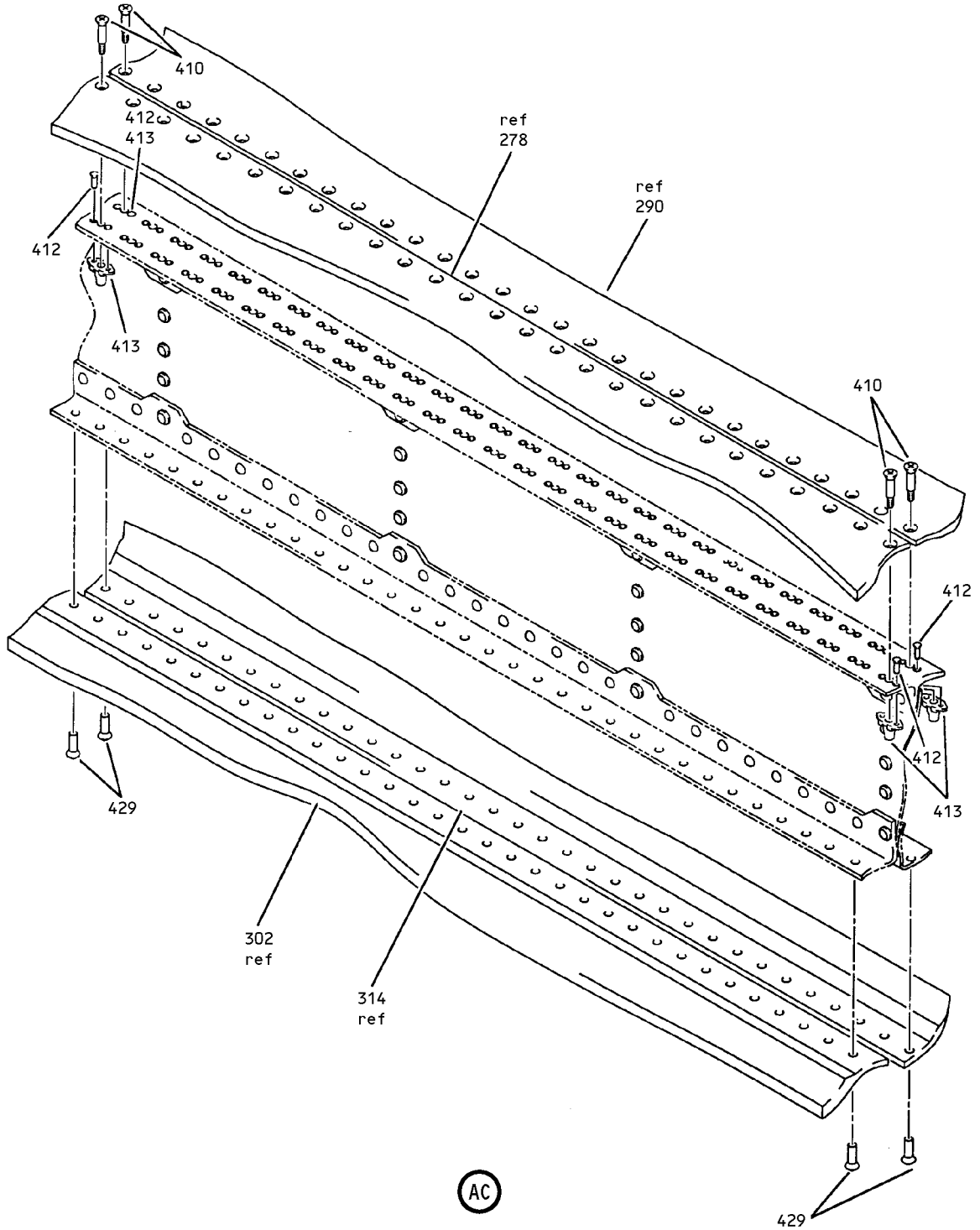
ILLUSTRATED PARTS LIST
01.1 Page 1042K
Nov 01/04



Outboard Trailing Edge Flap Assembly
 Figure 1 (Sheet 22)

57-53-51

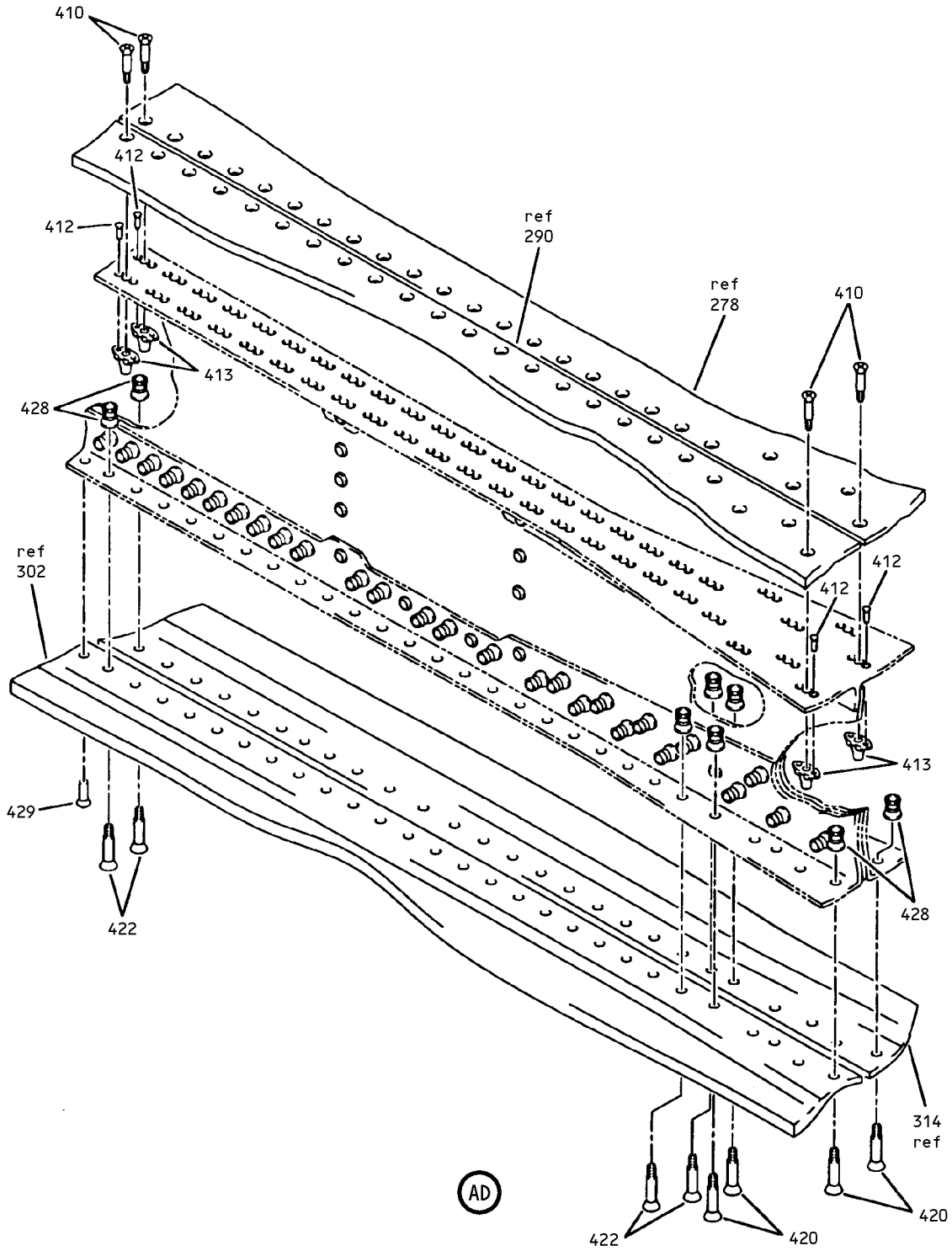
ILLUSTRATED PARTS LIST
 01.1 Page 1042L
 Nov 01/04



Outboard Trailing Edge Flap Assembly
Figure 1 (Sheet 23)

57-53-51

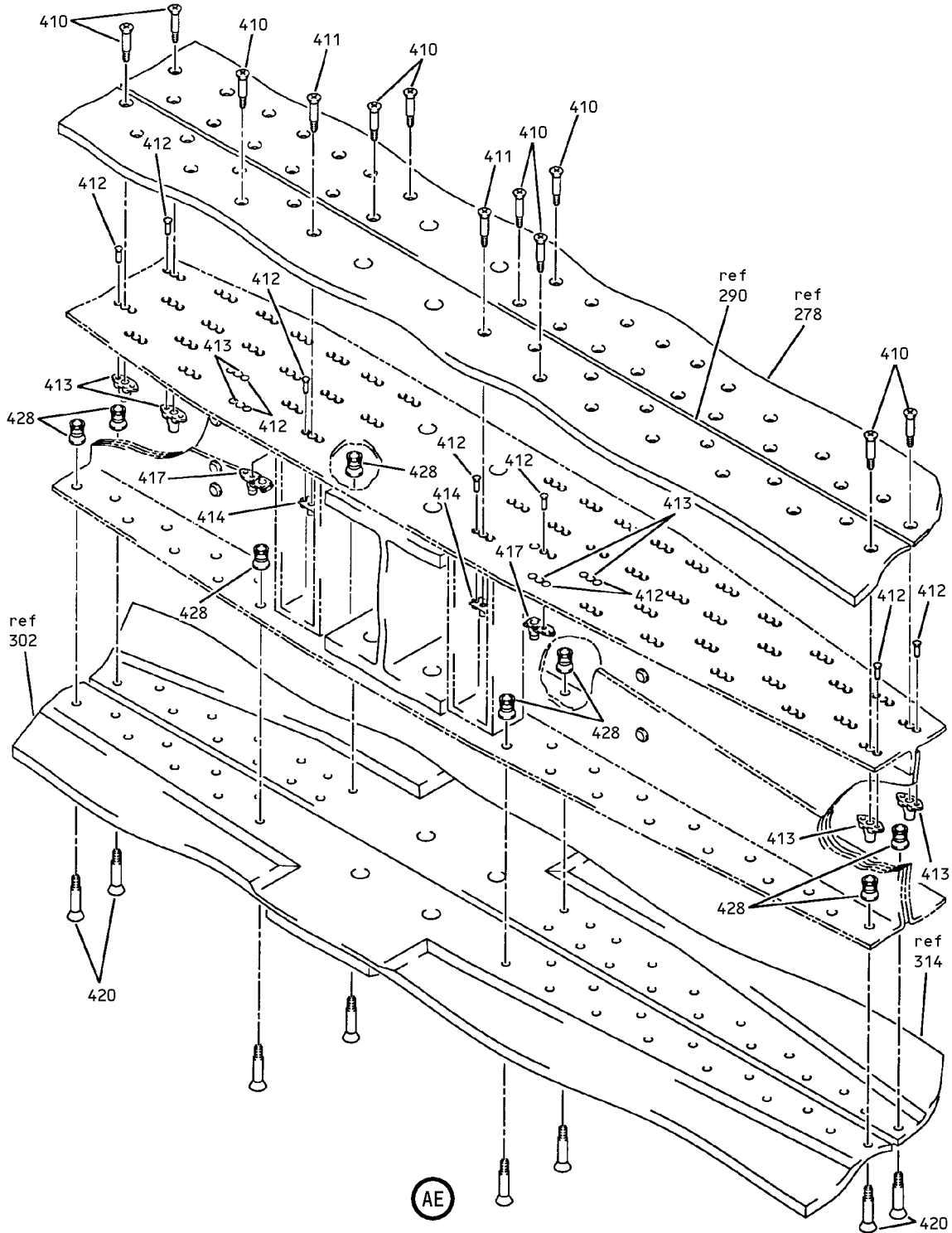
ILLUSTRATED PARTS LIST
01.1 Page 1042M
Nov 01/04



Outboard Trailing Edge Flap Assembly
Figure 1 (Sheet 24)

57-53-51

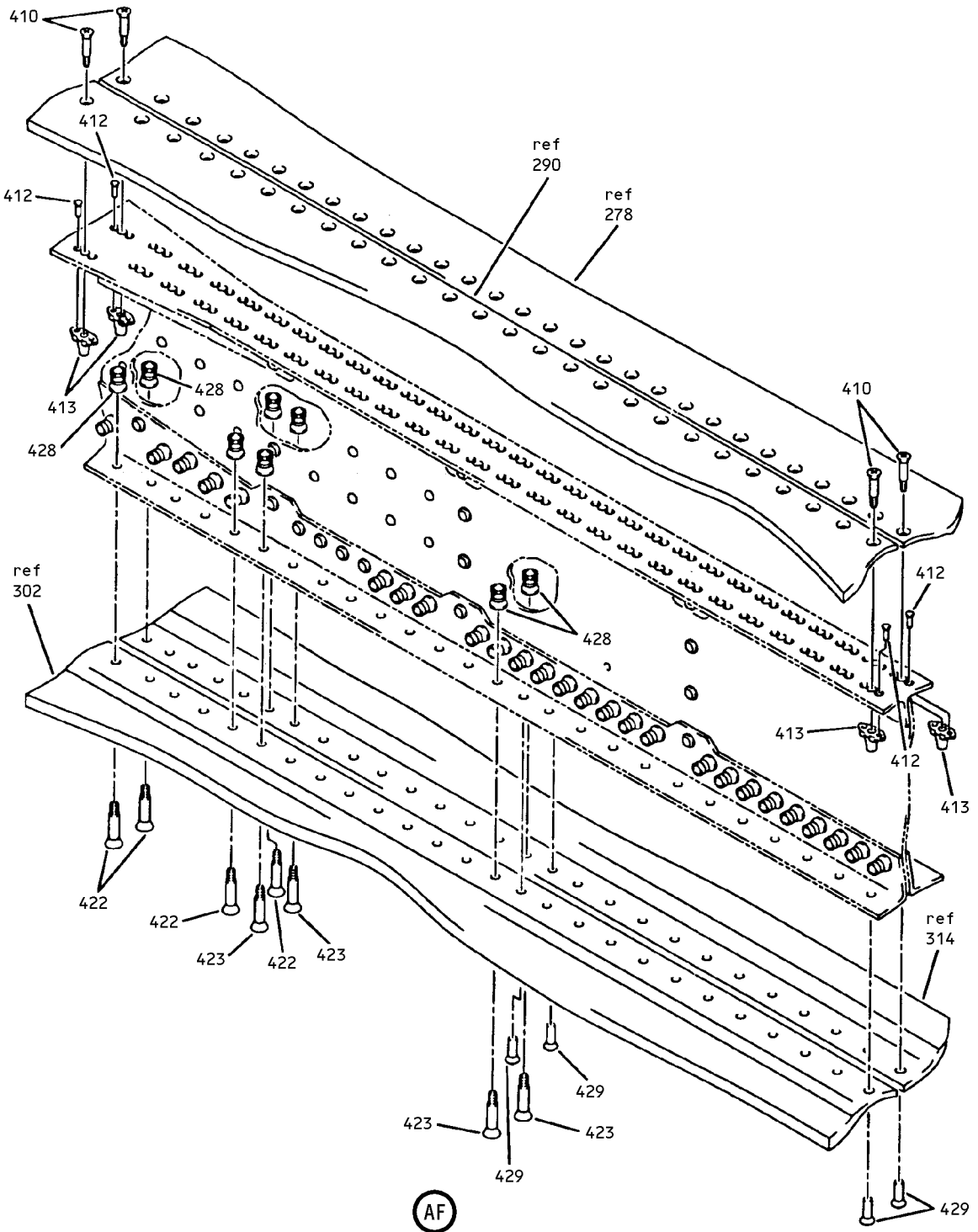
ILLUSTRATED PARTS LIST
01.1 Page 1042N
Nov 01/04



Outboard Trailing Edge Flap Assembly
Figure 1 (Sheet 25)

57-53-51

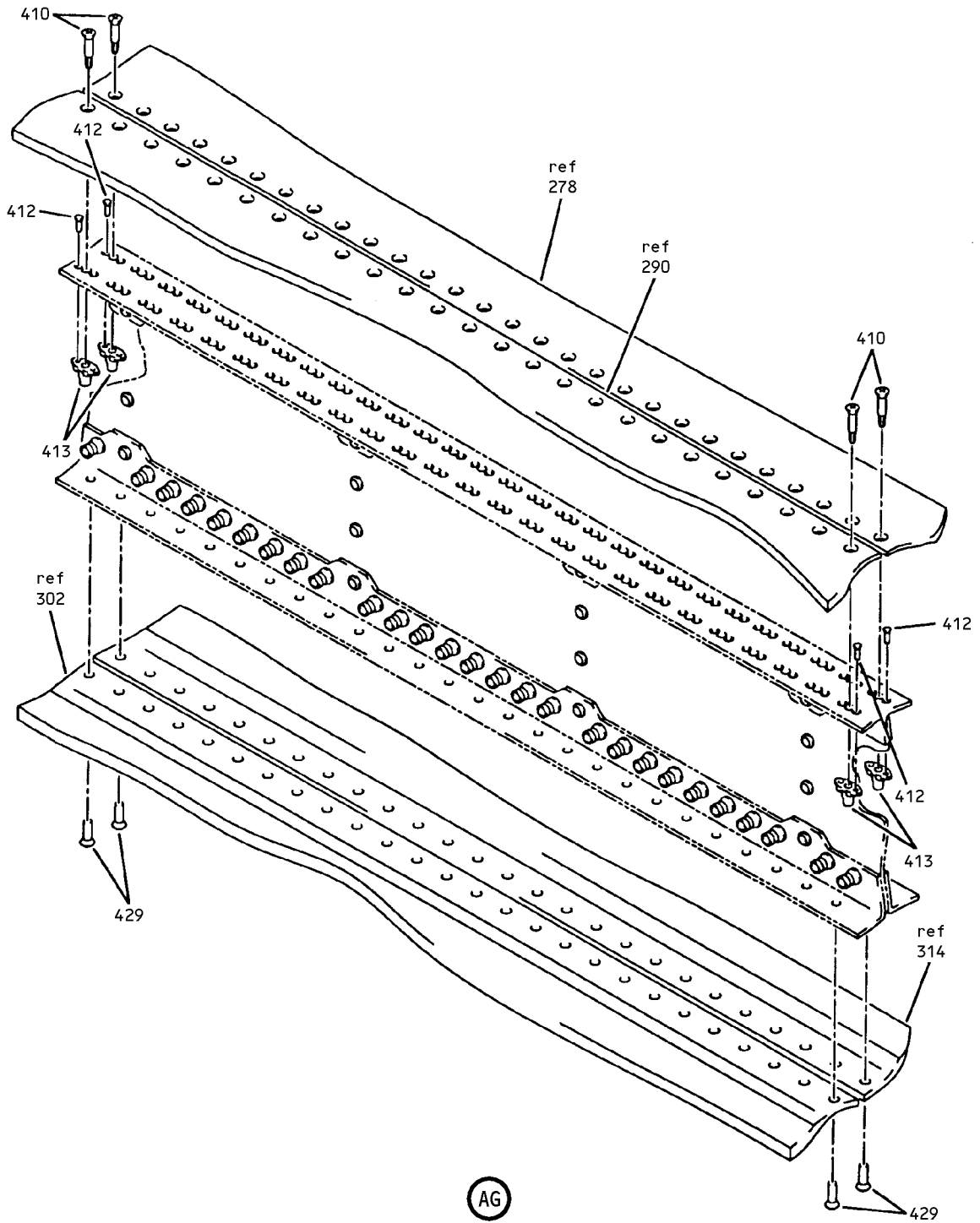
ILLUSTRATED PARTS LIST
01.1 Page 10420
Nov 01/04



Outboard Trailing Edge Flap Assembly
Figure 1 (Sheet 26)

57-53-51

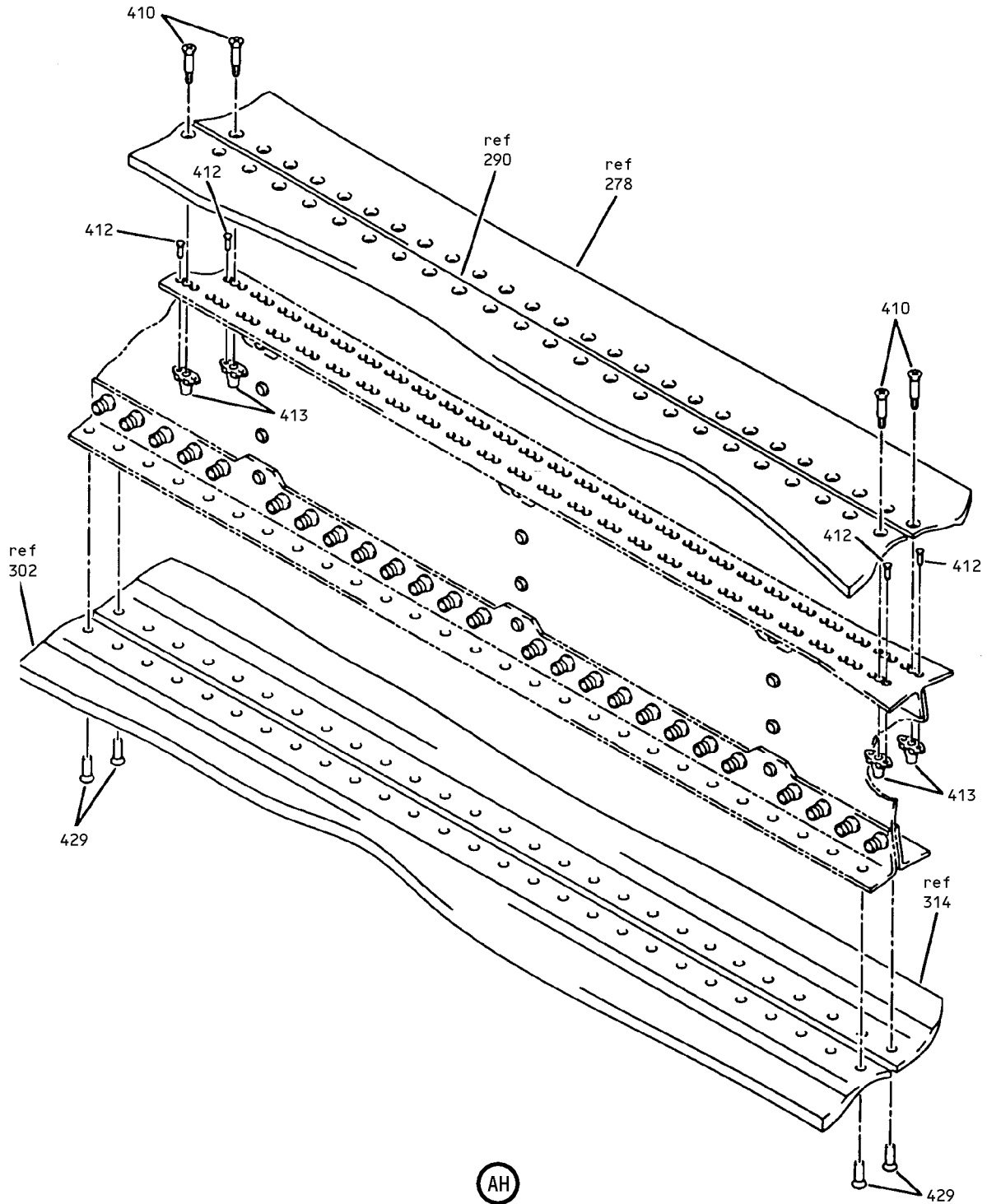
ILLUSTRATED PARTS LIST
01.1 Page 1042P
Nov 01/04



Outboard Trailing Edge Flap Assembly
Figure 1 (Sheet 27)

57-53-51

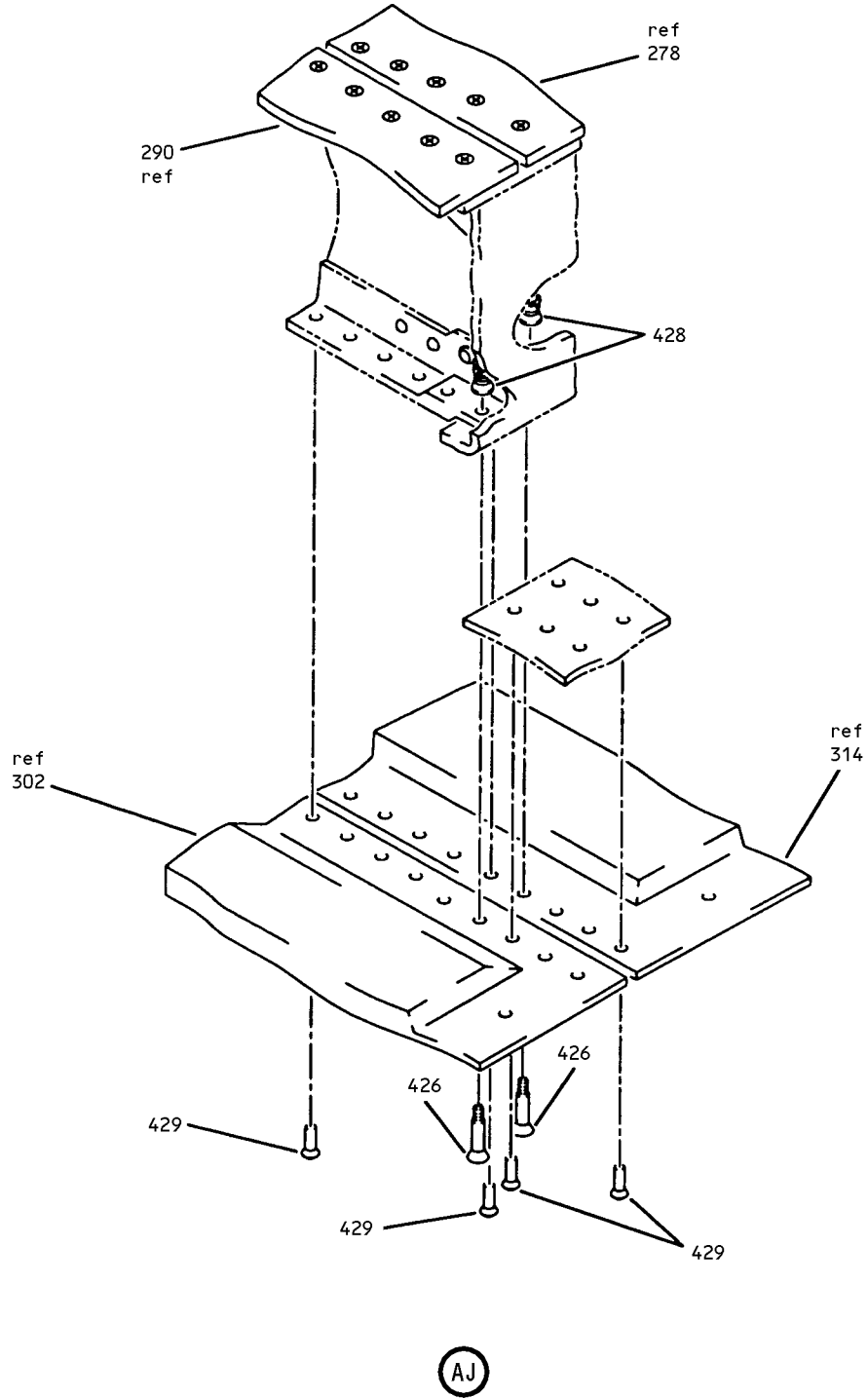
ILLUSTRATED PARTS LIST
01.1 Page 1042Q
Nov 01/04



Outboard Trailing Edge Flap Assembly
Figure 1 (Sheet 28)

57-53-51

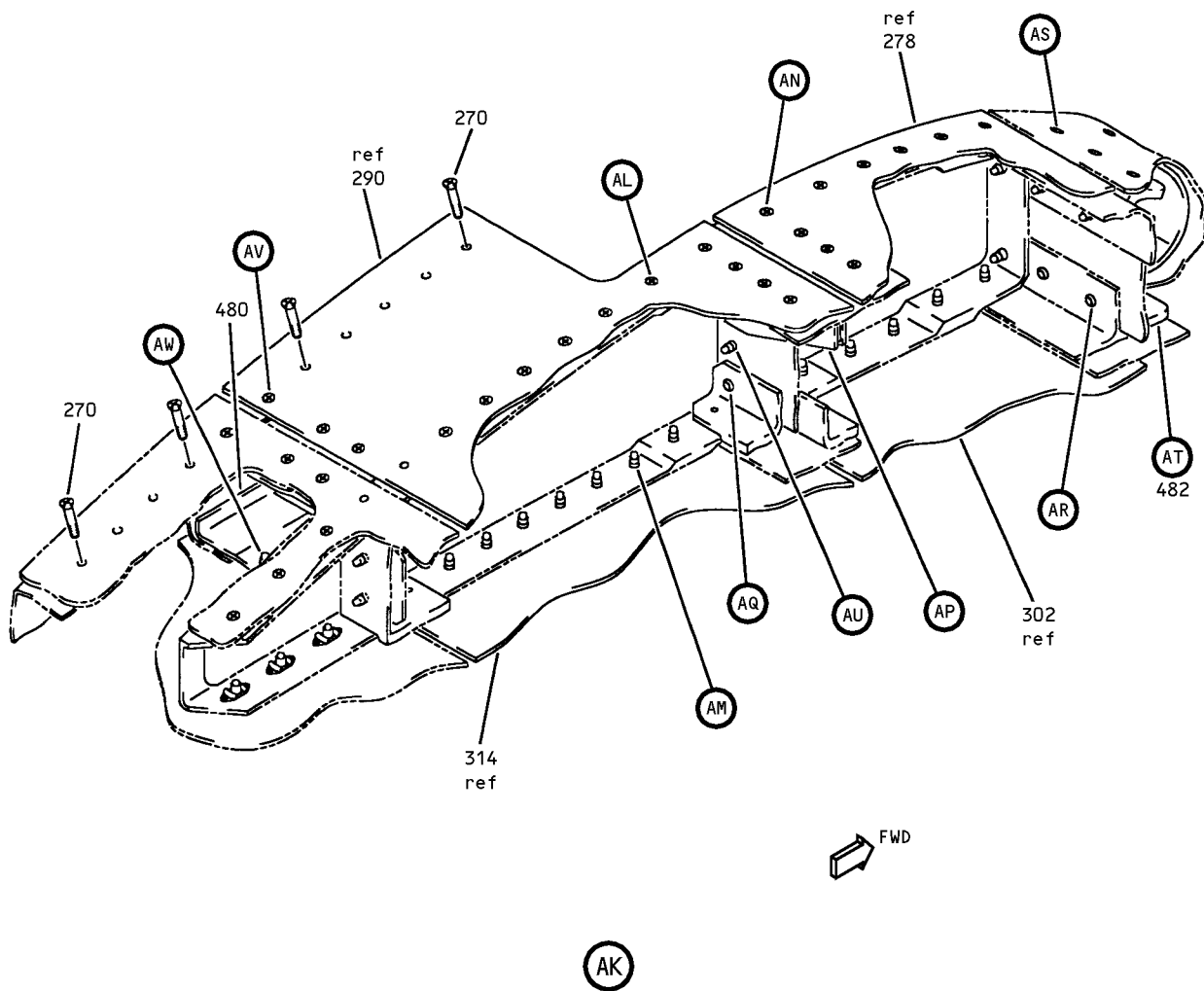
ILLUSTRATED PARTS LIST
01.1 Page 1042R
Nov 01/04



Outboard Trailing Edge Flap Assembly
Figure 1 (Sheet 29)

57-53-51

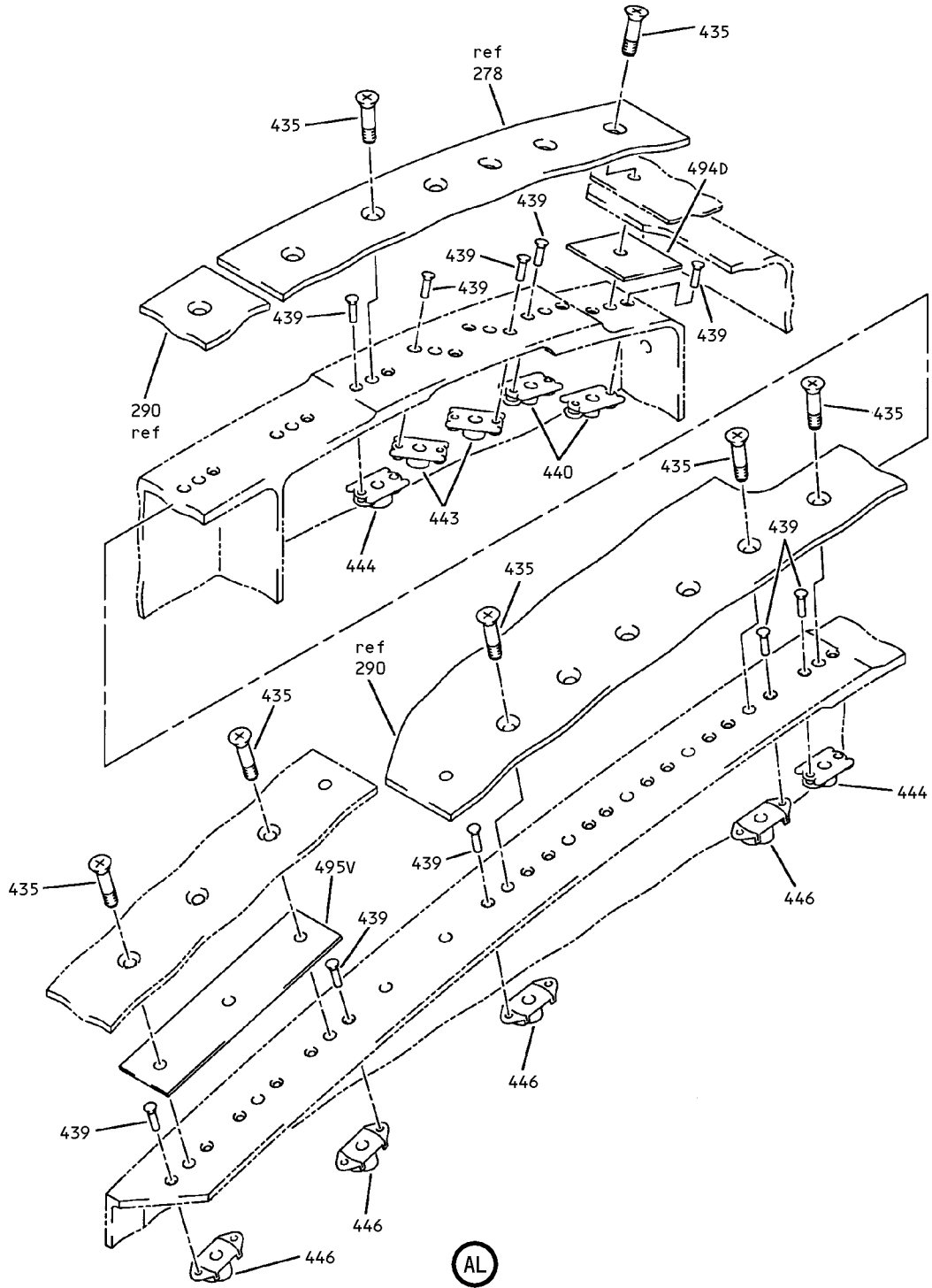
ILLUSTRATED PARTS LIST
01.1 Page 1042S
Nov 01/04



Outboard Trailing Edge Flap Assembly
 Figure 1 (Sheet 30)

57-53-51

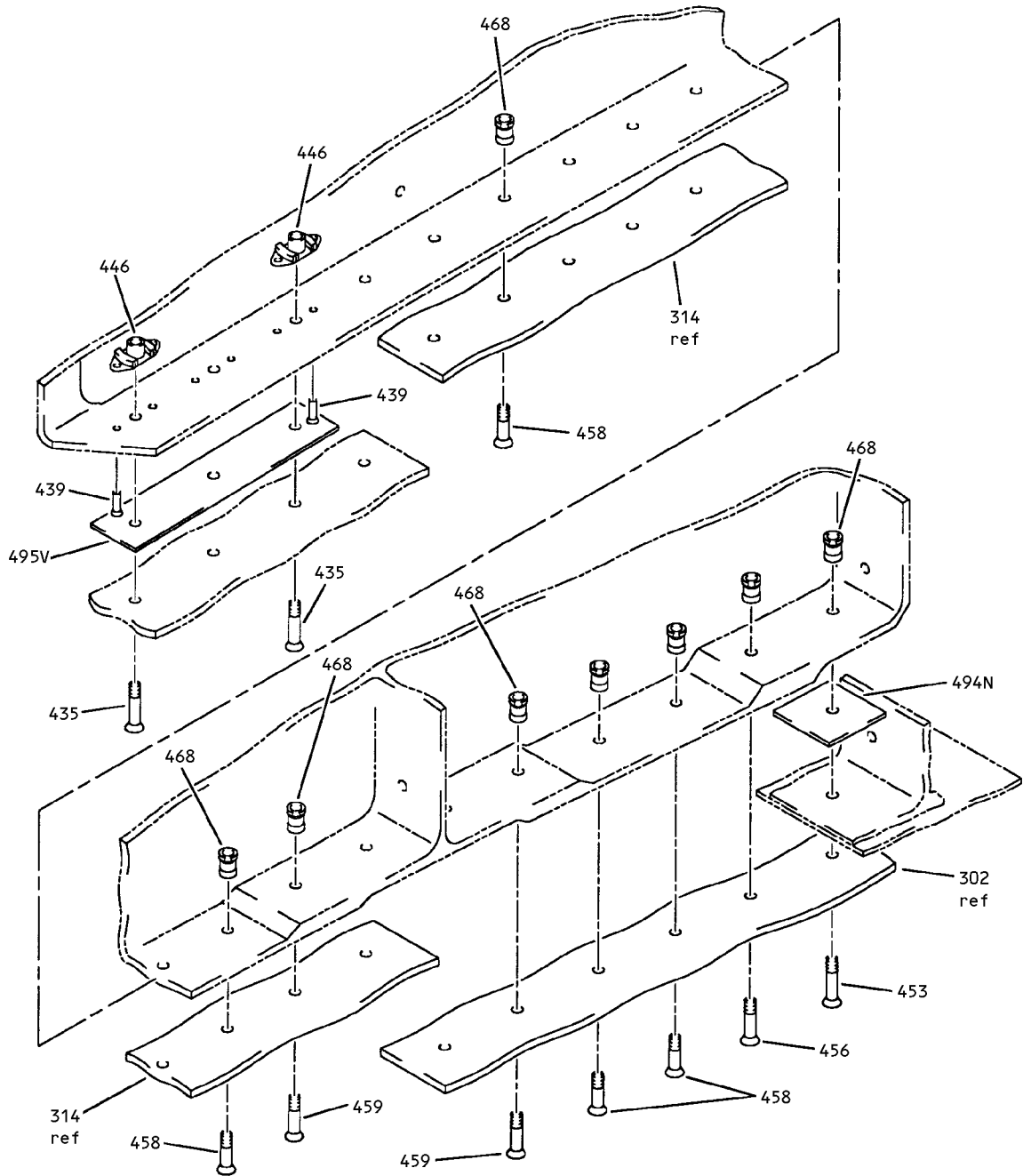
ILLUSTRATED PARTS LIST
 01.1 Page 1042T
 Nov 01/04



Outboard Trailing Edge Flap Assembly
Figure 1 (Sheet 31)

57-53-51

ILLUSTRATED PARTS LIST
01.1 Page 1042U
Nov 01/04



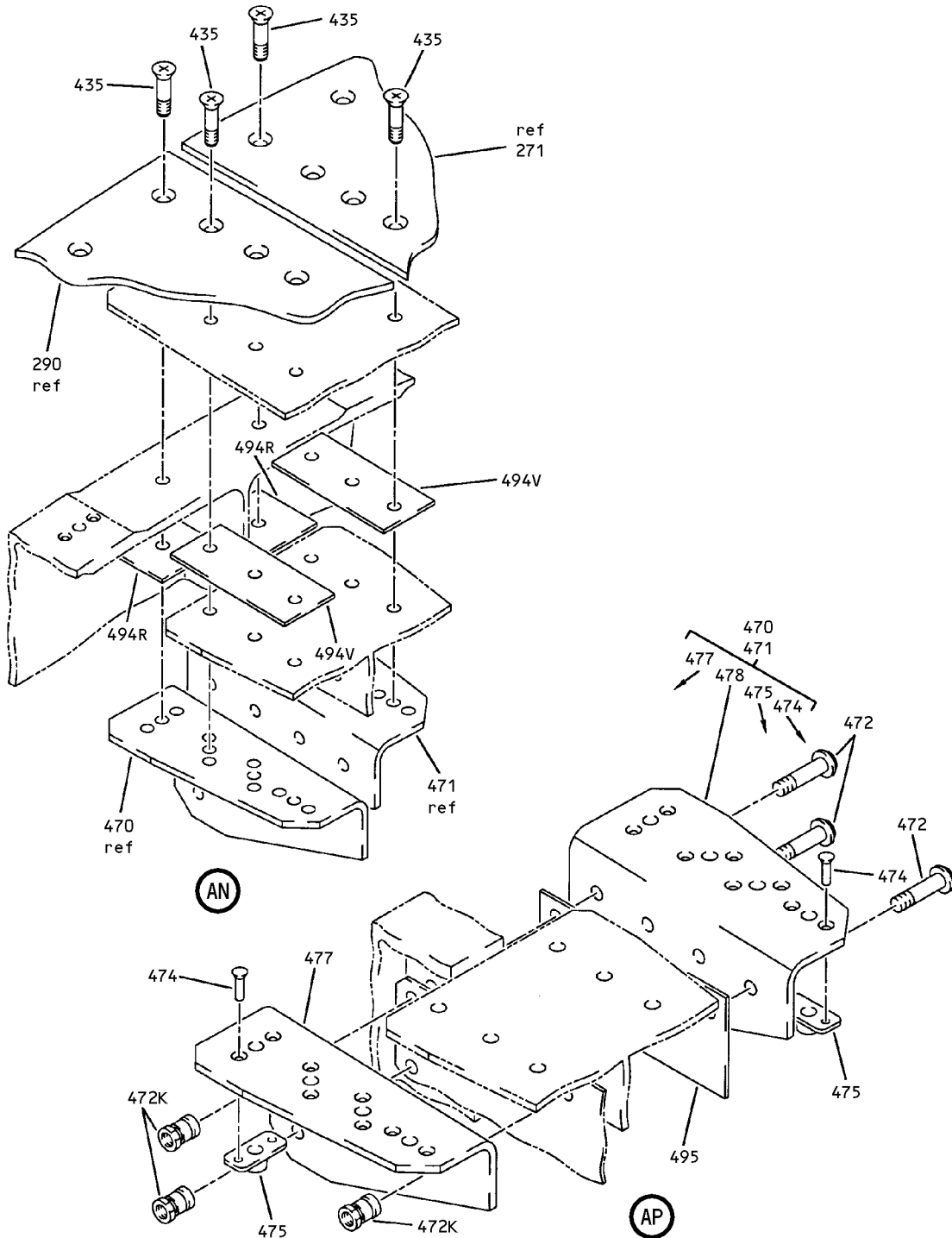
AM

Outboard Trailing Edge Flap Assembly
Figure 1 (Sheet 32)

113T3100

57-53-51

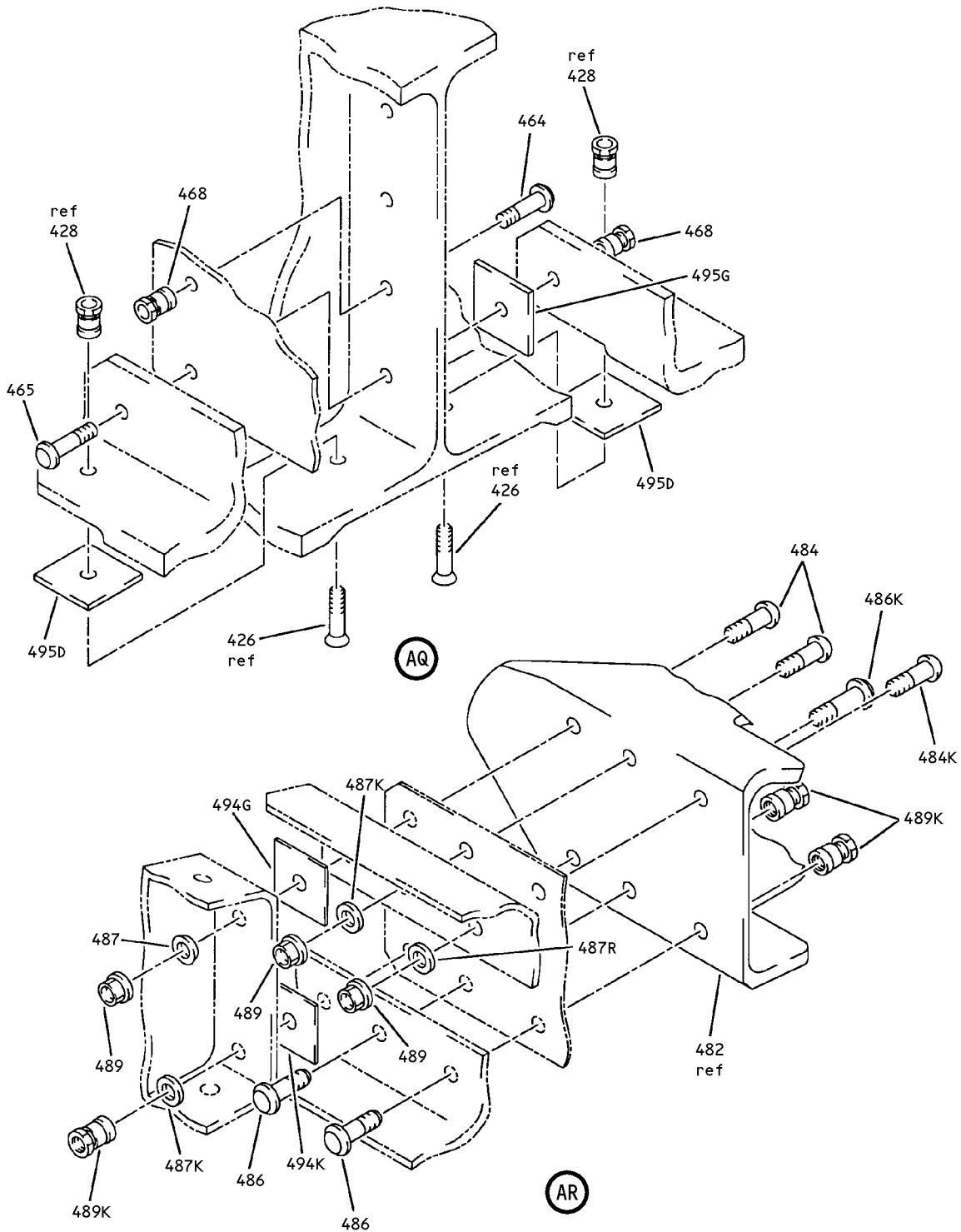
ILLUSTRATED PARTS LIST
01.1 Page 1042V
Nov 01/04



Outboard Trailing Edge Flap Assembly
 Figure 1 (Sheet 33)

57-53-51

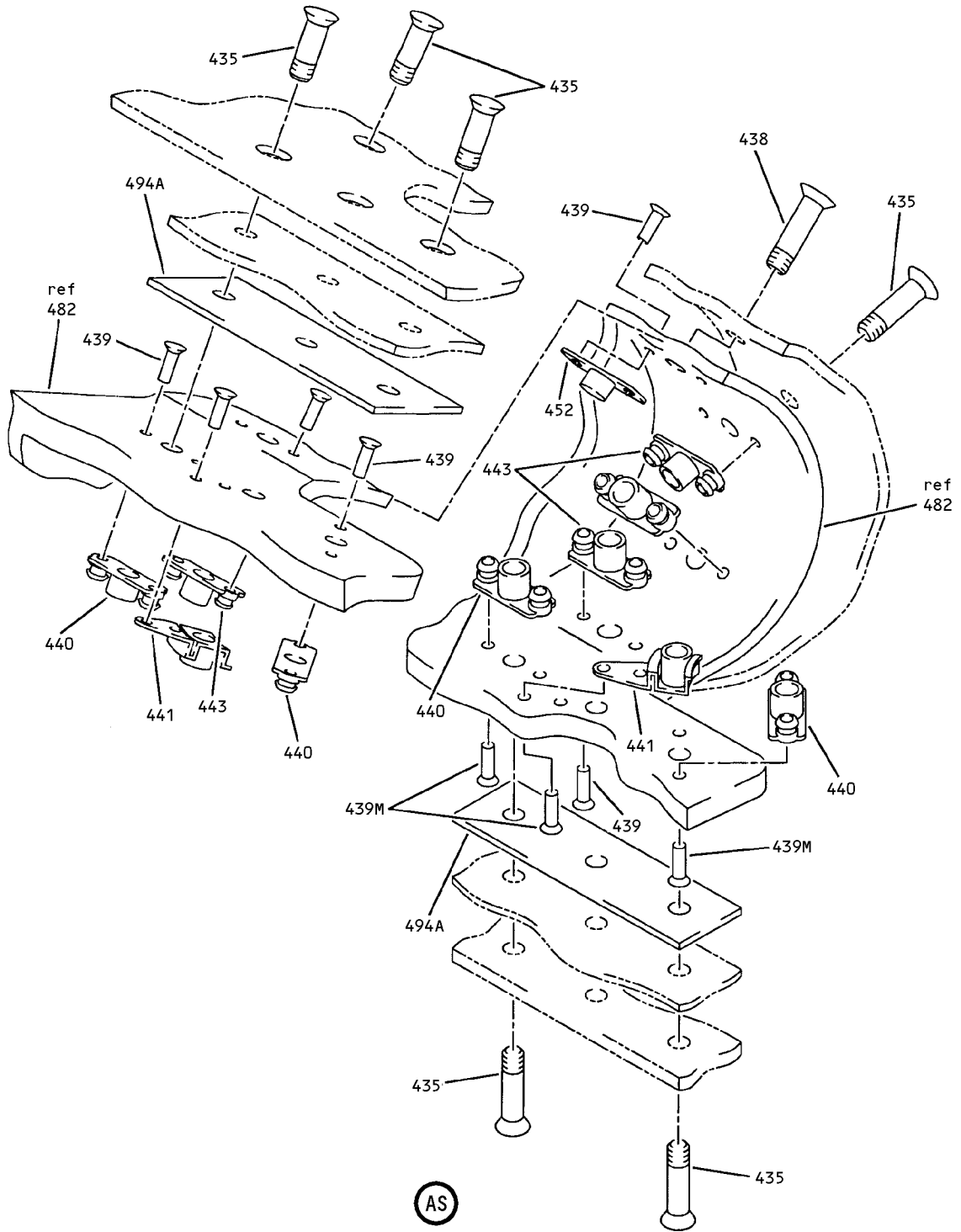
ILLUSTRATED PARTS LIST
 01.1 Page 1042W
 Nov 01/04



Outboard Trailing Edge Flap Assembly
 Figure 1 (Sheet 34)

57-53-51

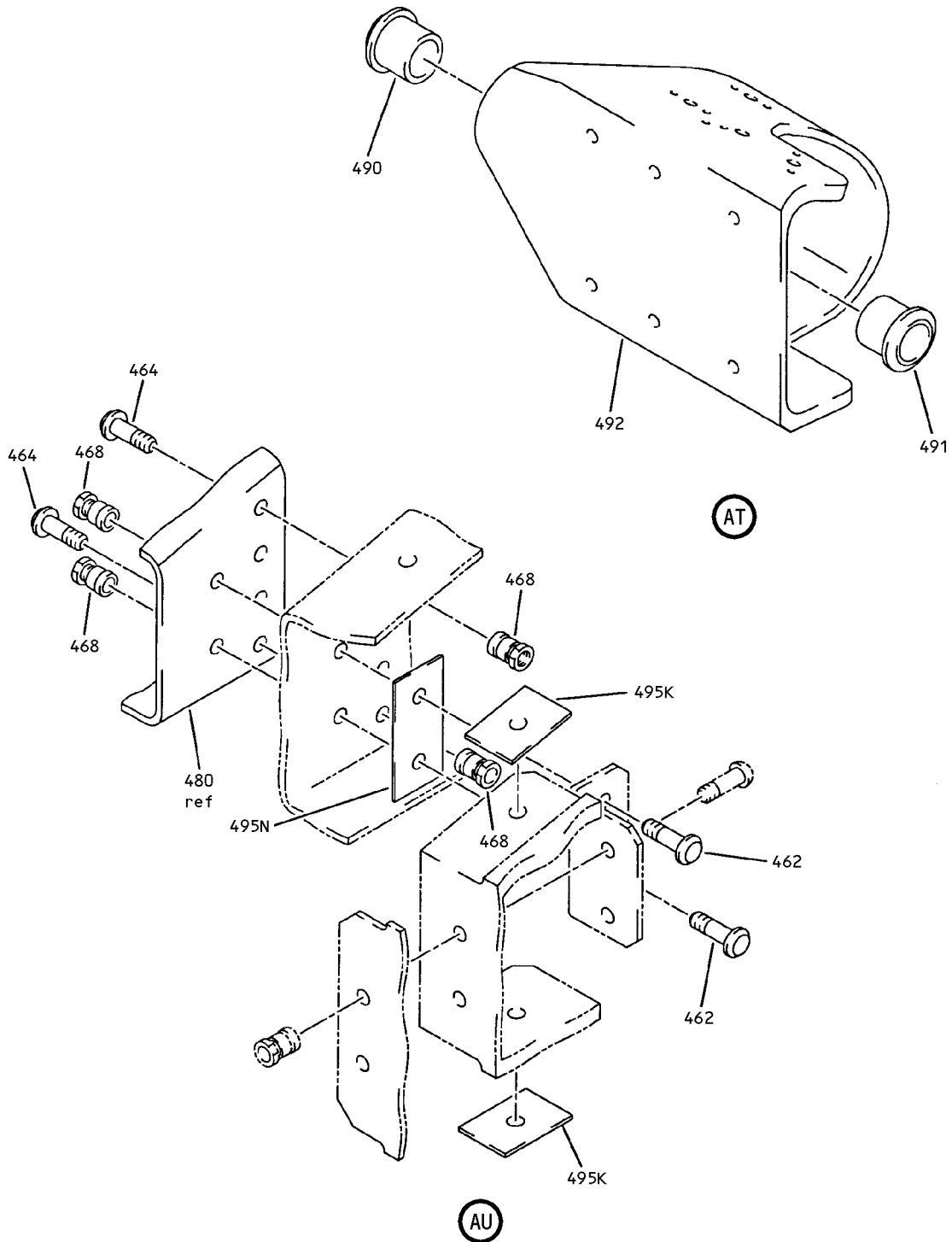
ILLUSTRATED PARTS LIST
 01.1 Page 1042X
 Nov 01/04



Outboard Trailing Edge Flap Assembly
Figure 1 (Sheet 35)

57-53-51

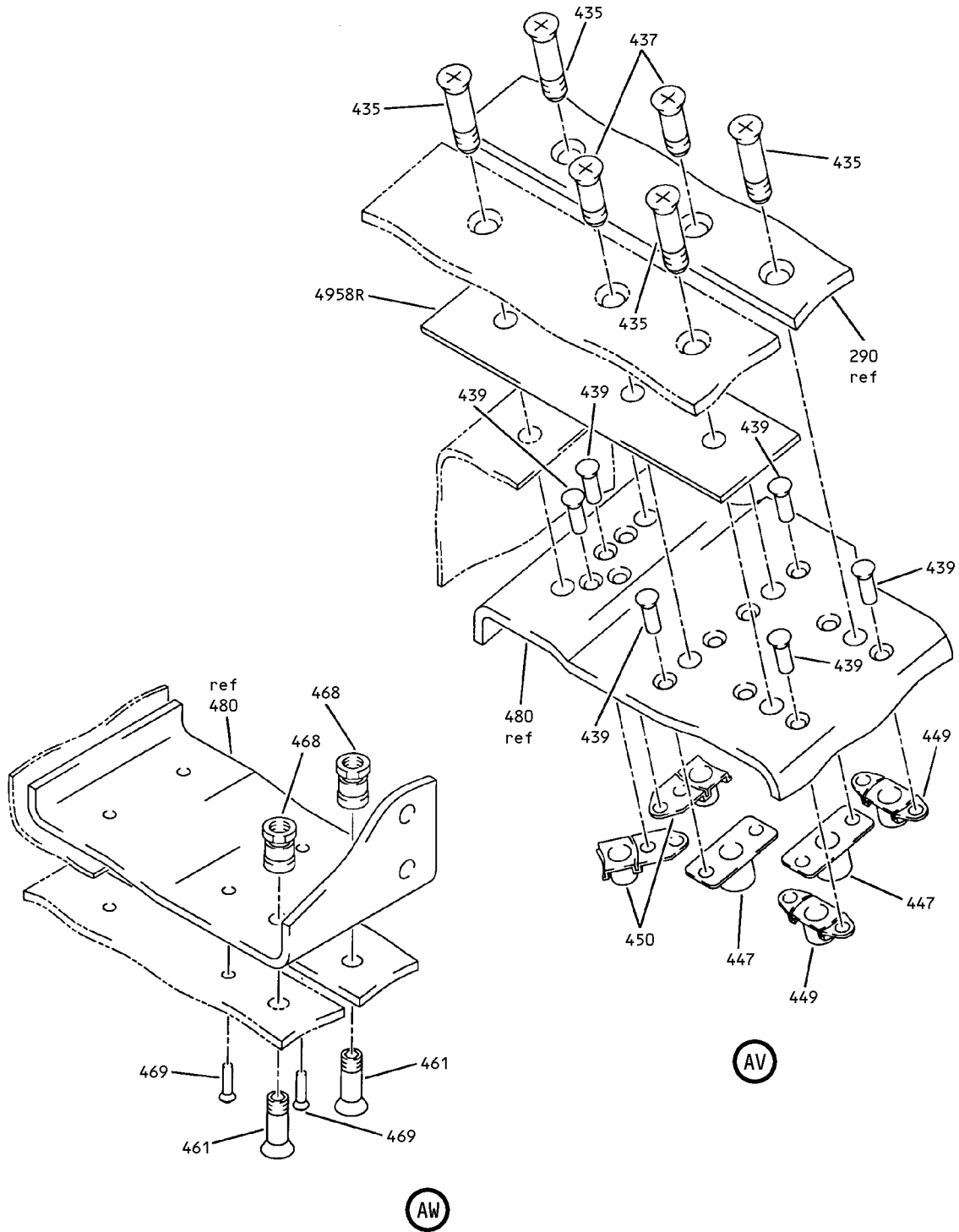
ILLUSTRATED PARTS LIST
01.1 Page 1042Y
Nov 01/04



Outboard Trailing Edge Flap Assembly
 Figure 1 (Sheet 36)

57-53-51

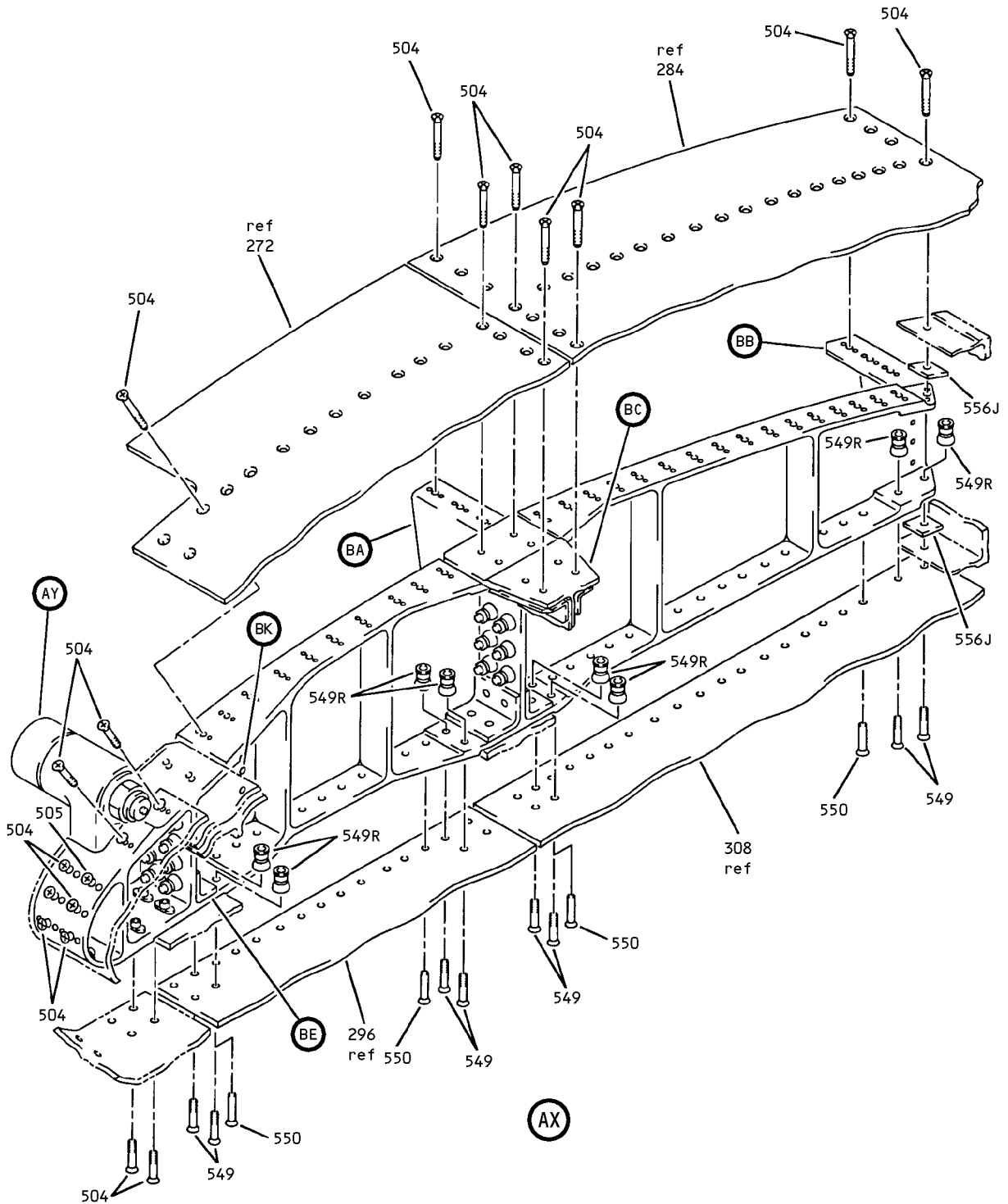
ILLUSTRATED PARTS LIST
 01.1 Page 1042Z
 Nov 01/04



Outboard Trailing Edge Flap Assembly
Figure 1 (Sheet 37)

57-53-51

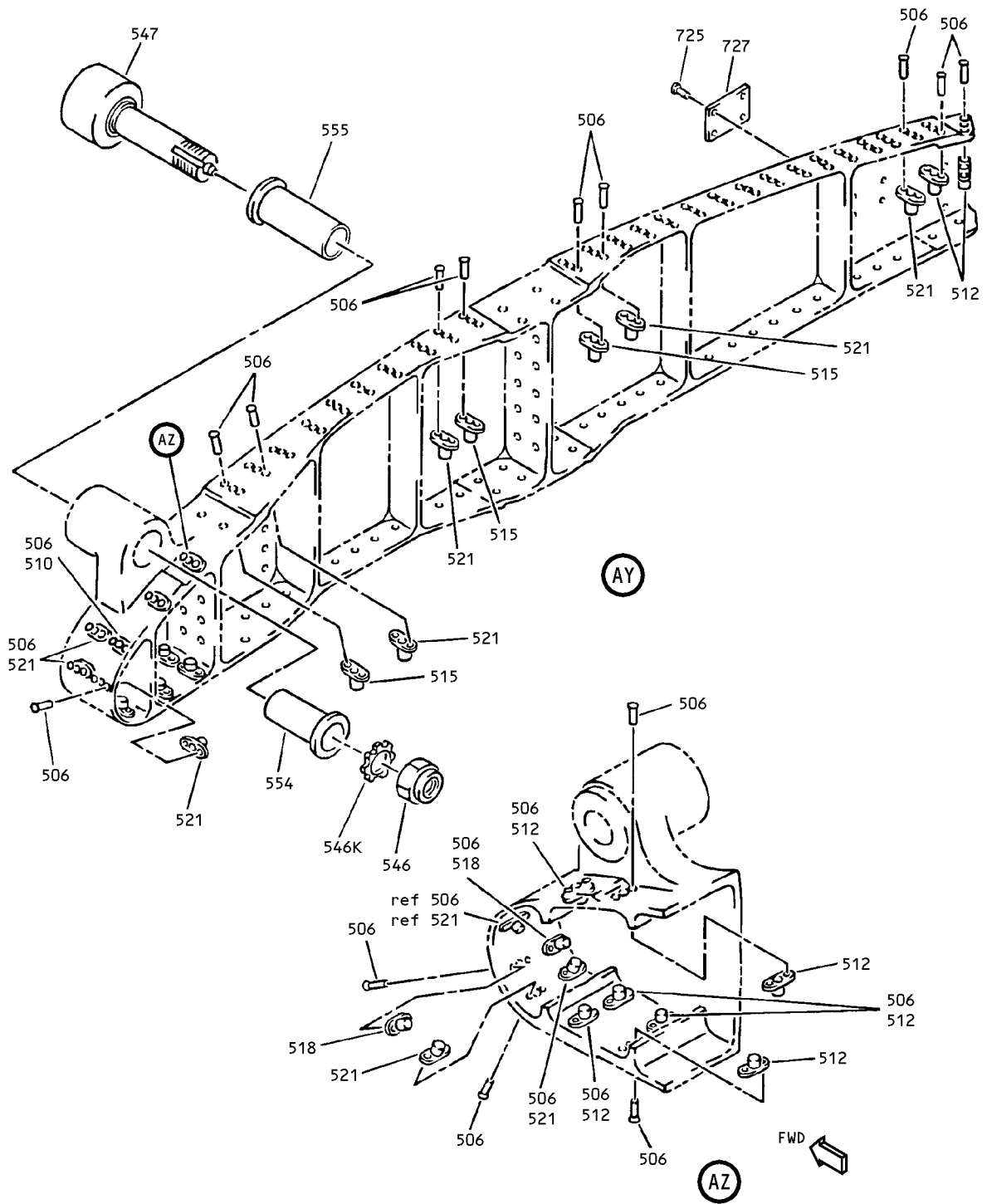
ILLUSTRATED PARTS LIST
01.1 Page 1043
Nov 01/04



Outboard Trailing Edge Flap Assembly
Figure 1 (Sheet 38)

57-53-51

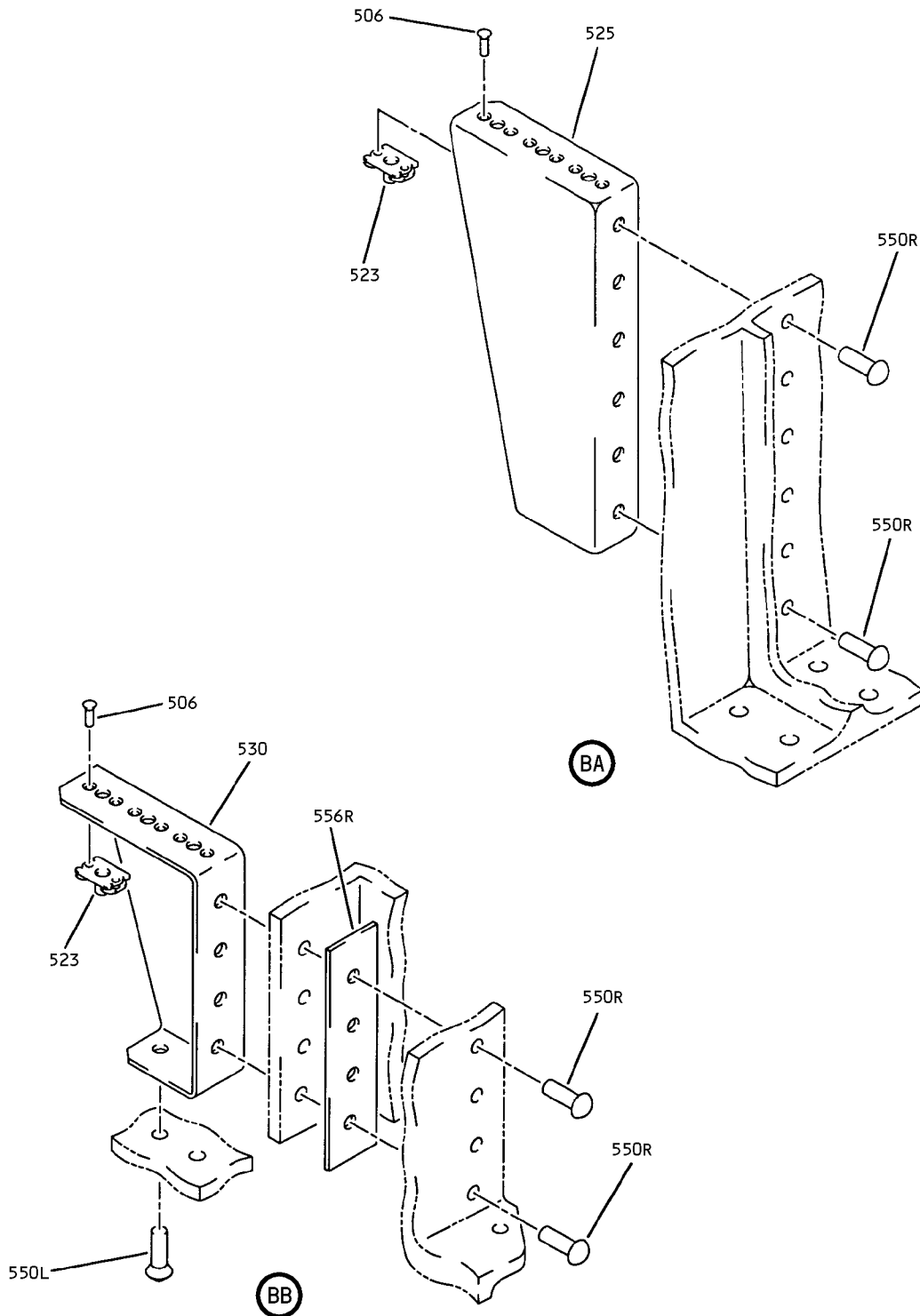
ILLUSTRATED PARTS LIST
01.1 Page 1044
Nov 01/04



Outboard Trailing Edge Flap Assembly
 Figure 1 (Sheet 39)

57-53-51

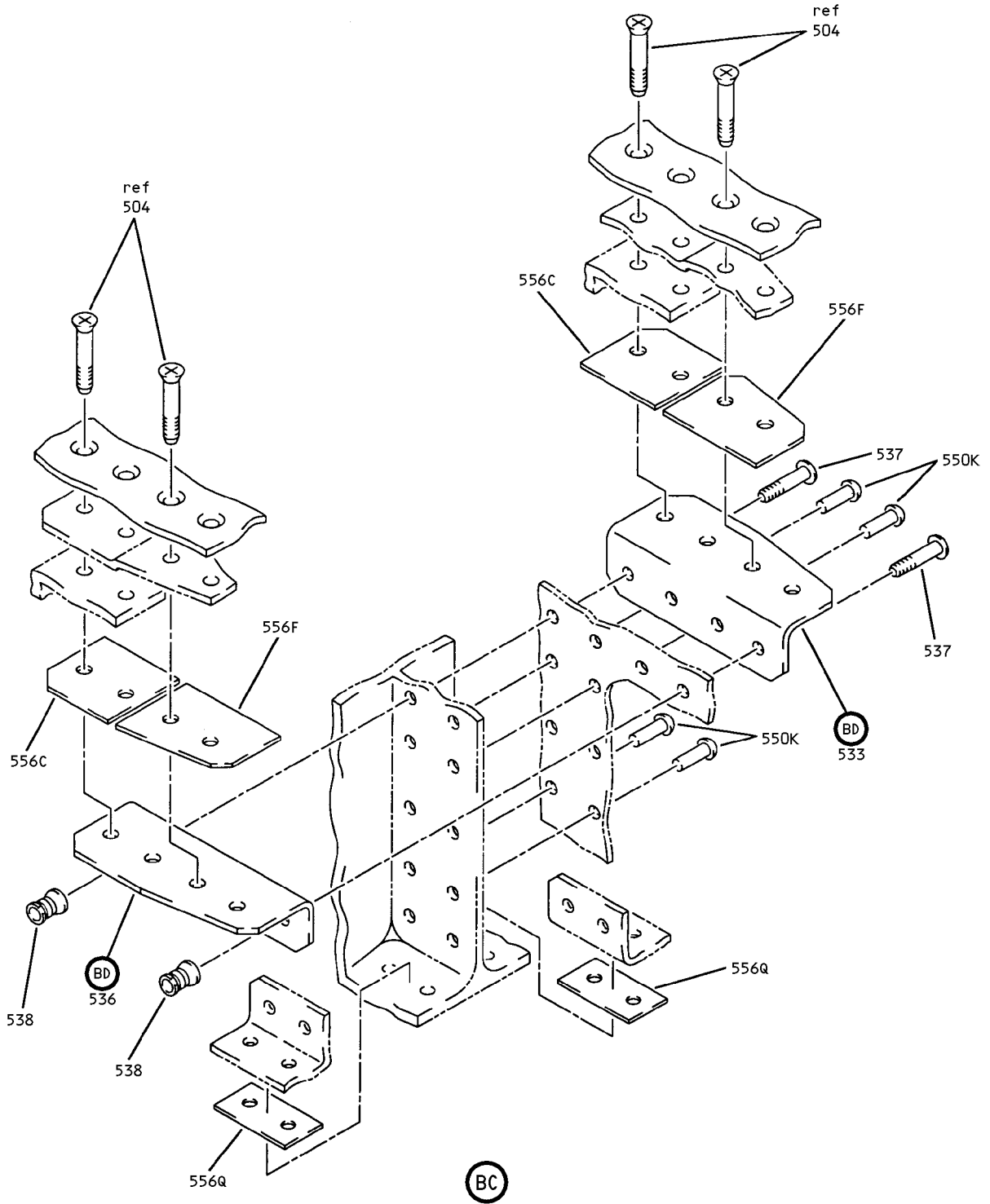
ILLUSTRATED PARTS LIST
 01.1 Page 1044A
 Nov 01/04



Outboard Trailing Edge Flap Assembly
Figure 1 (Sheet 40)

57-53-51

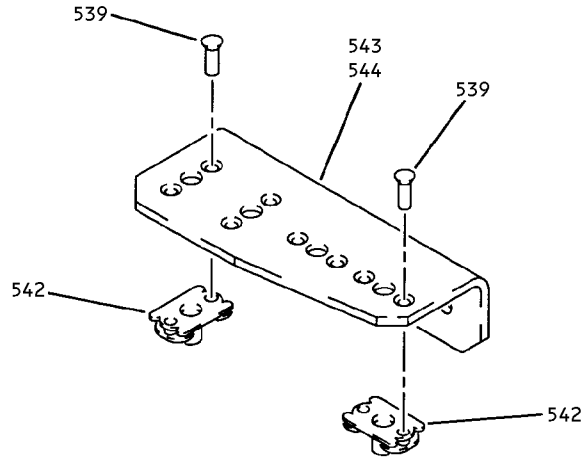
ILLUSTRATED PARTS LIST
01.1 Page 1044B
Nov 01/04



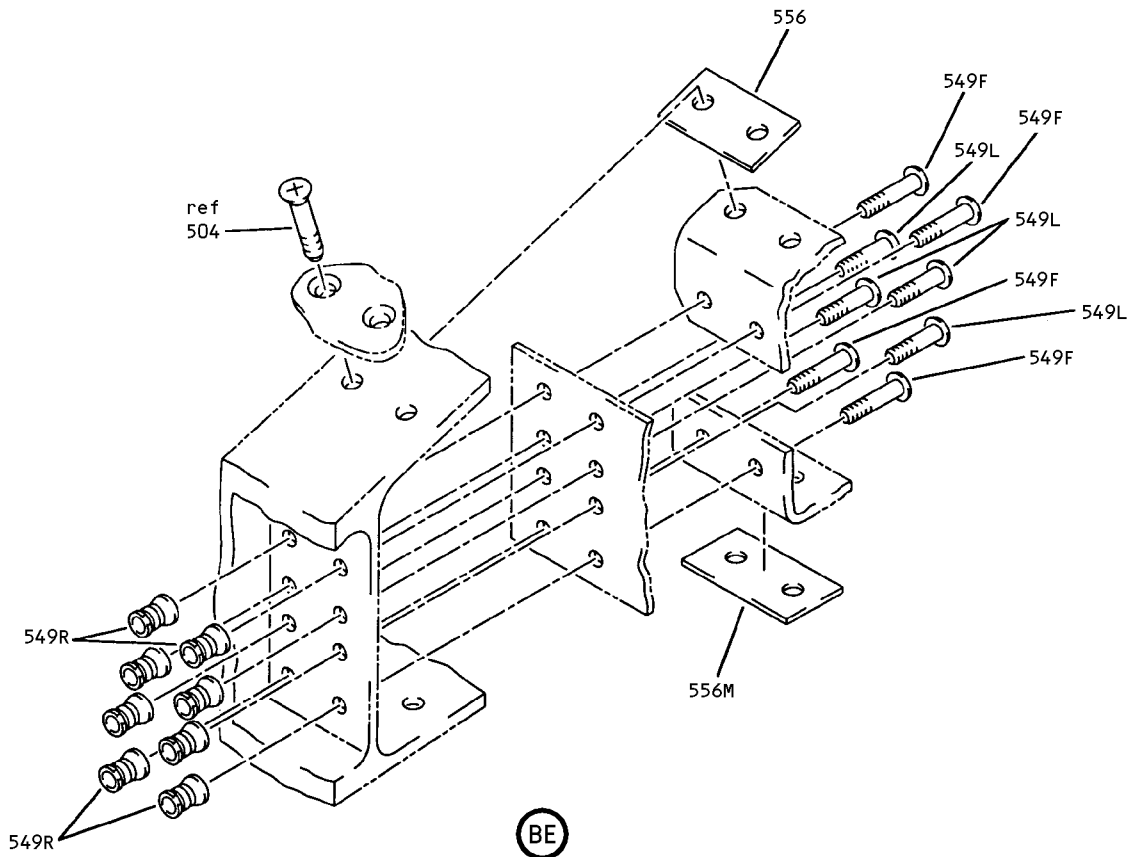
Outboard Trailing Edge Flap Assembly
Figure 1 (Sheet 41)

57-53-51

ILLUSTRATED PARTS LIST
01.1 Page 1044C
Nov 01/04



(BD)

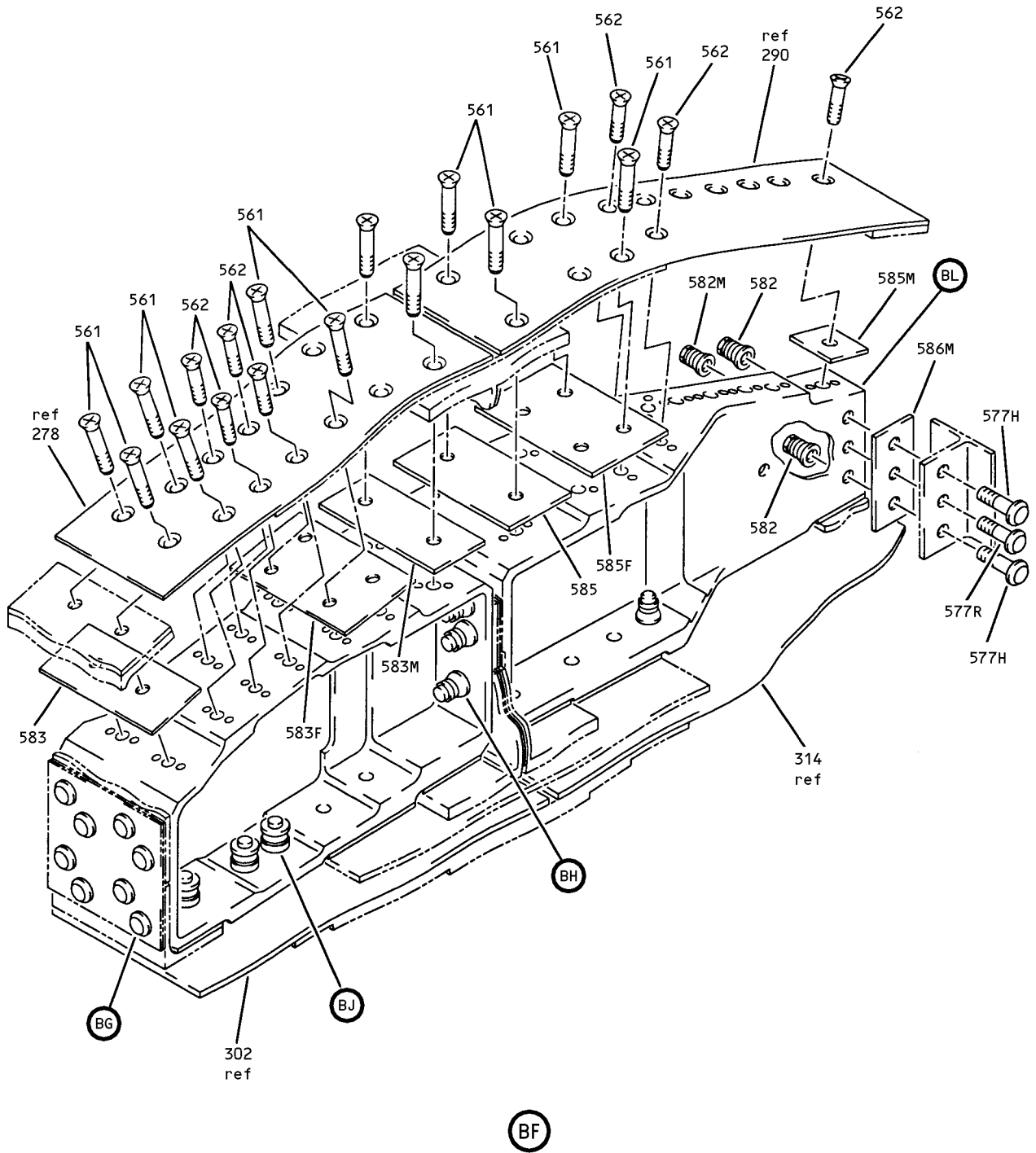


(BE)

Outboard Trailing Edge Flap Assembly
 Figure 1 (Sheet 42)

57-53-51

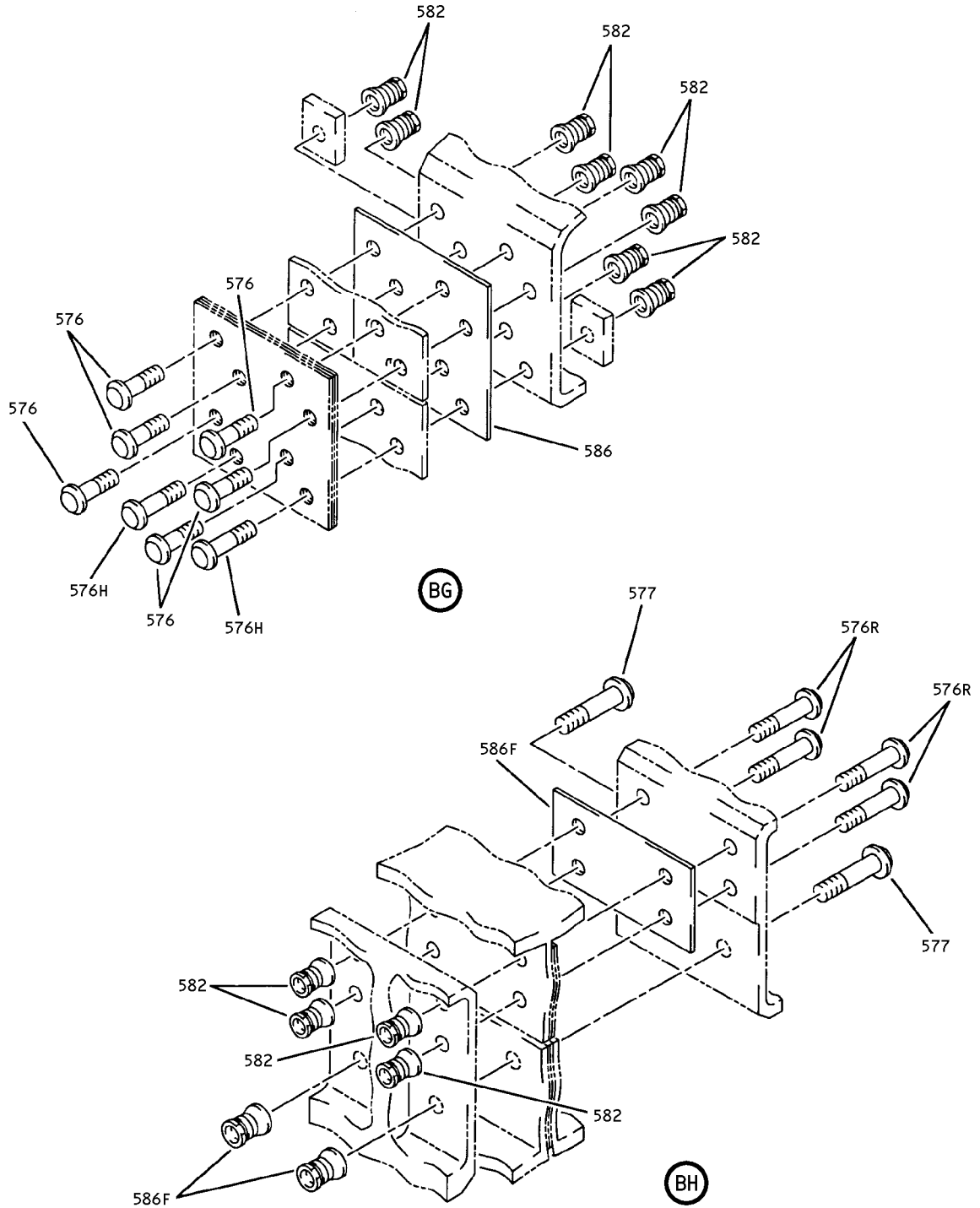
ILLUSTRATED PARTS LIST
 01.1 Page 1044D
 Nov 01/04



Outboard Trailing Edge Flap Assembly
Figure 1 (Sheet 43)

57-53-51

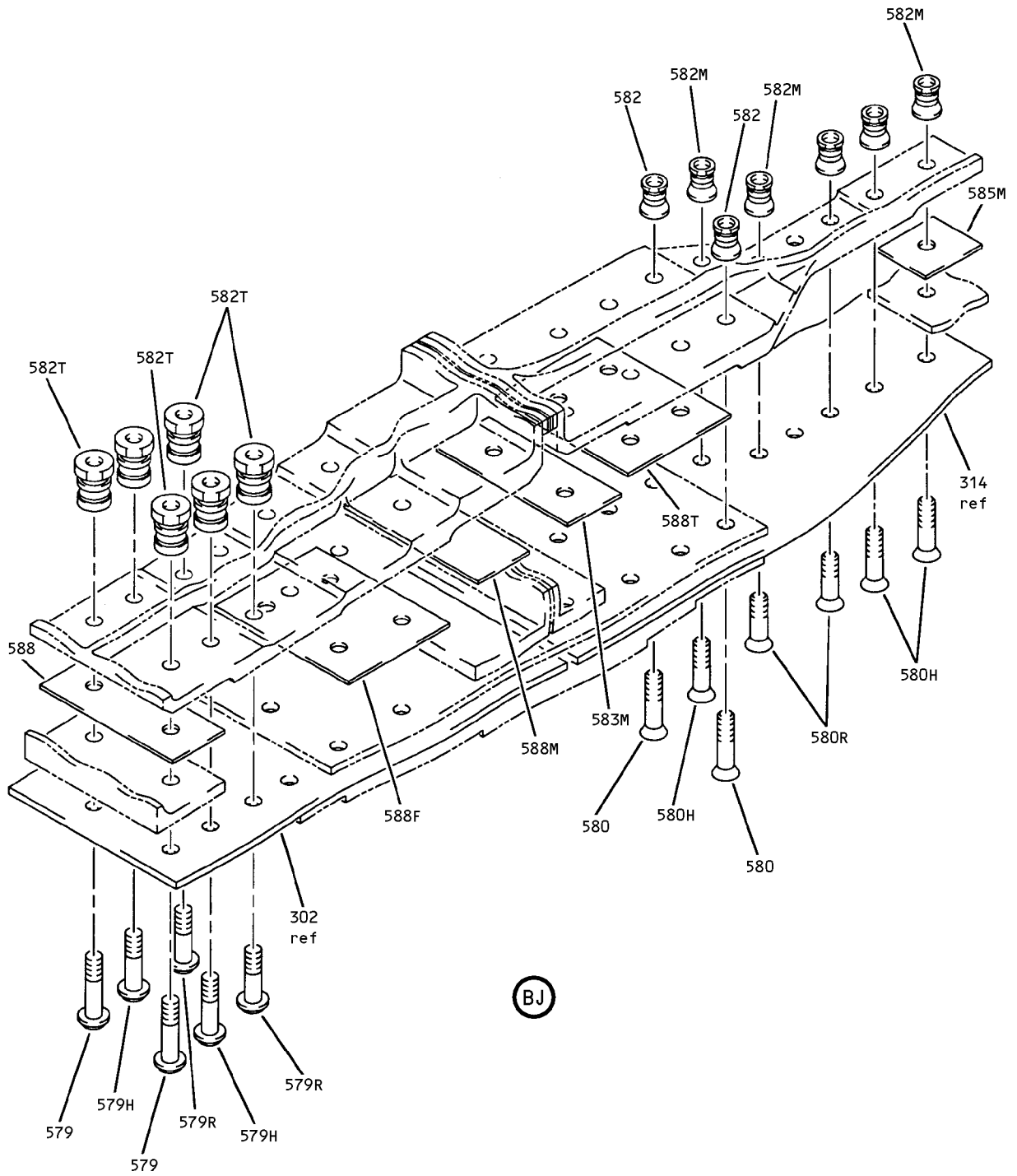
ILLUSTRATED PARTS LIST
01.1 Page 1044E
Nov 01/04



Outboard Trailing Edge Flap Assembly
 Figure 1 (Sheet 44)

57-53-51

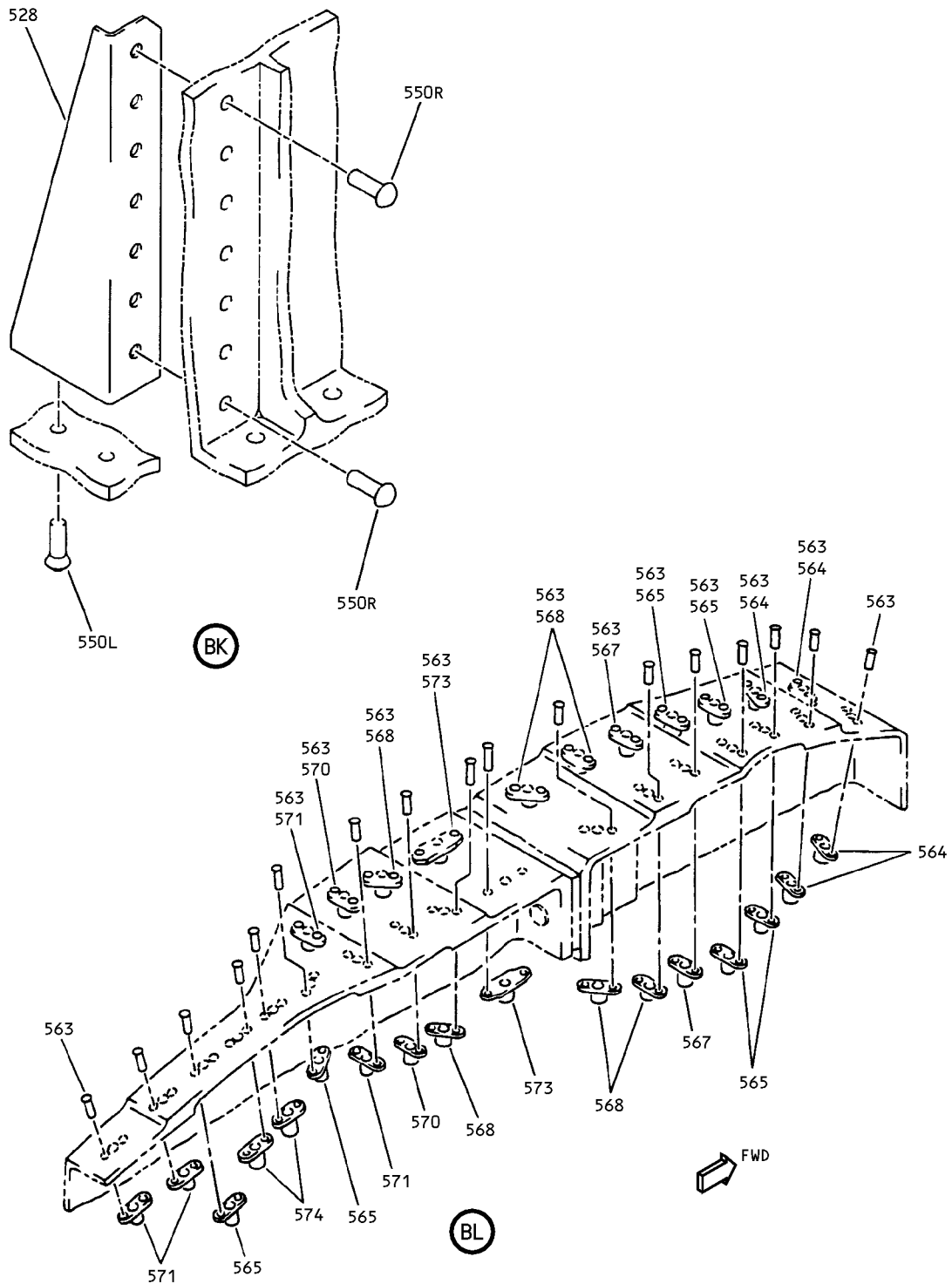
ILLUSTRATED PARTS LIST
 01.1 Page 1044F
 Nov 01/04



Outboard Trailing Edge Flap Assembly
Figure 1 (Sheet 45)

57-53-51

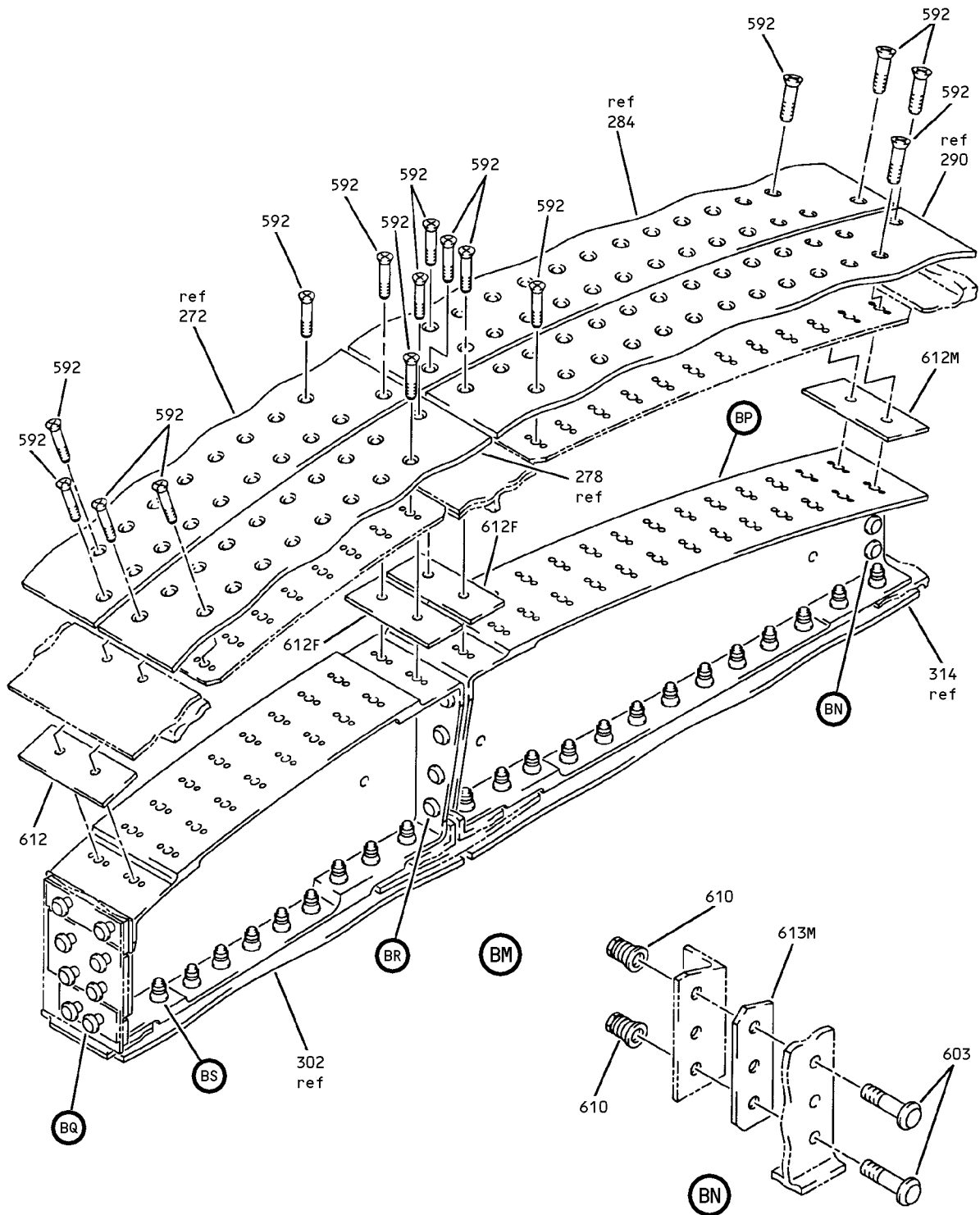
ILLUSTRATED PARTS LIST
01.1 Page 1044G
Nov 01/04



Outboard Trailing Edge Flap Assembly
 Figure 1 (Sheet 46)

57-53-51

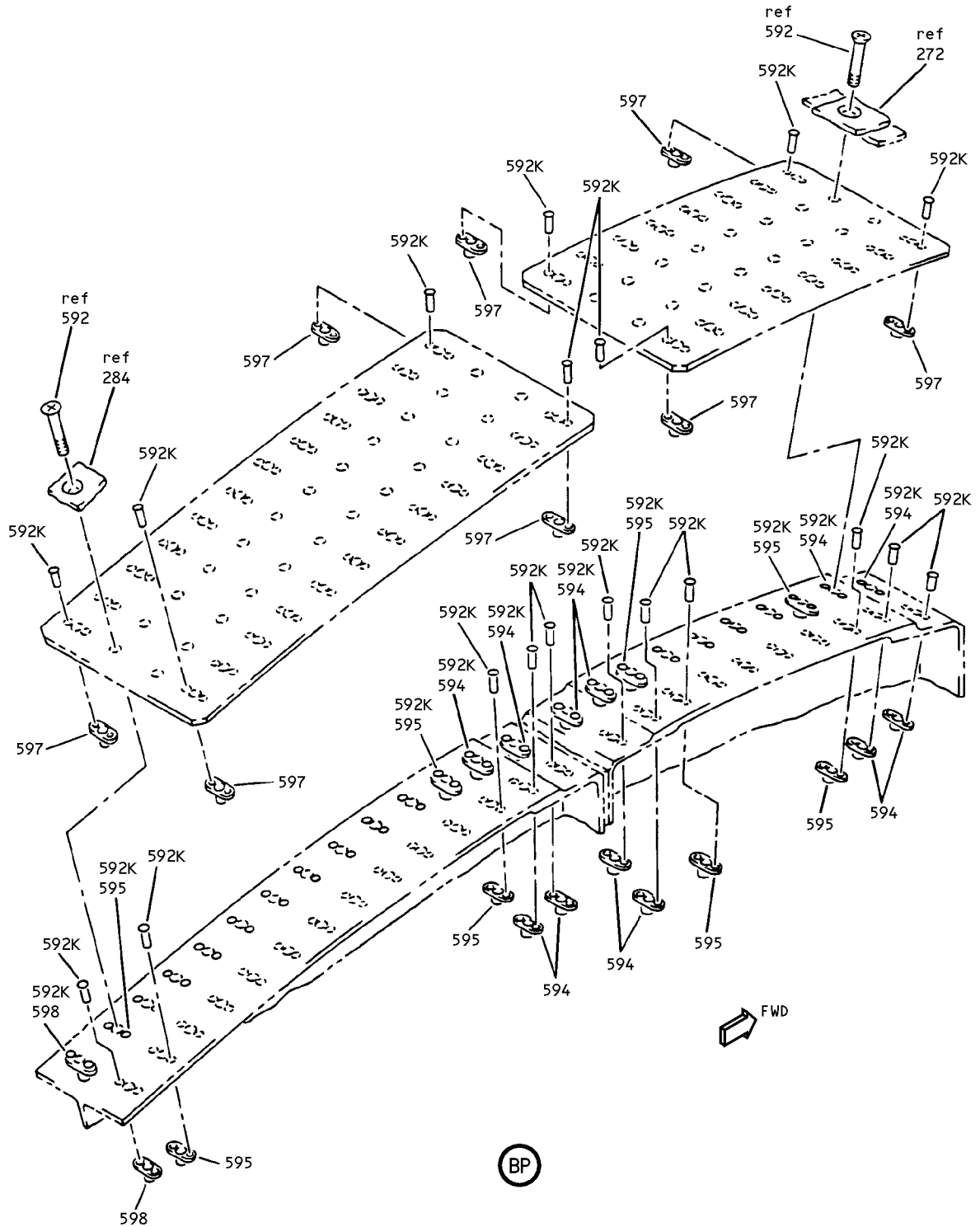
ILLUSTRATED PARTS LIST
 01.1 Page 1044H
 Nov 01/04



Outboard Trailing Edge Flap Assembly
Figure 1 (Sheet 47)

57-53-51

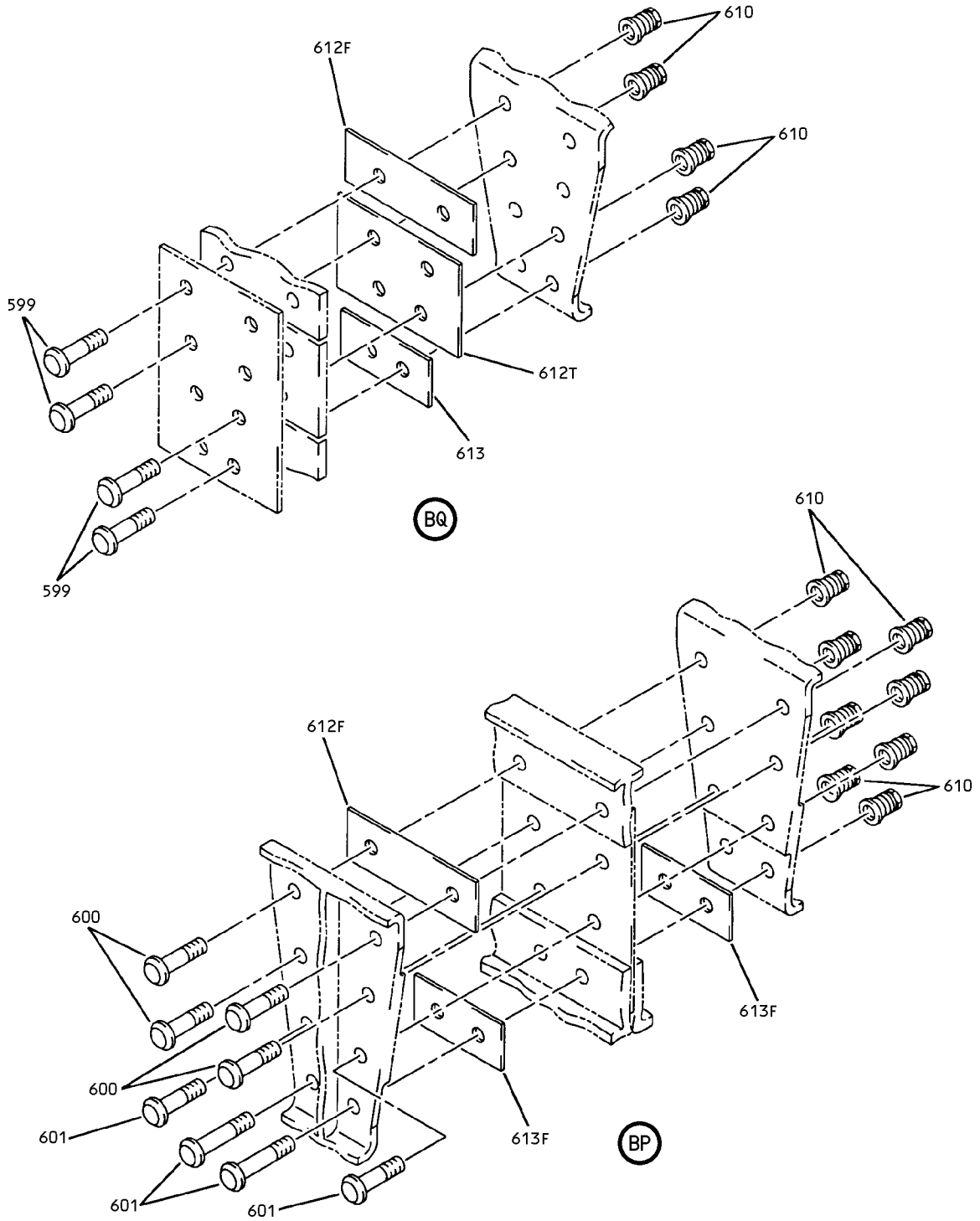
ILLUSTRATED PARTS LIST
01.1 Page 1044I
Nov 01/04



Outboard Trailing Edge Flap Assembly
Figure 1 (Sheet 48)

57-53-51

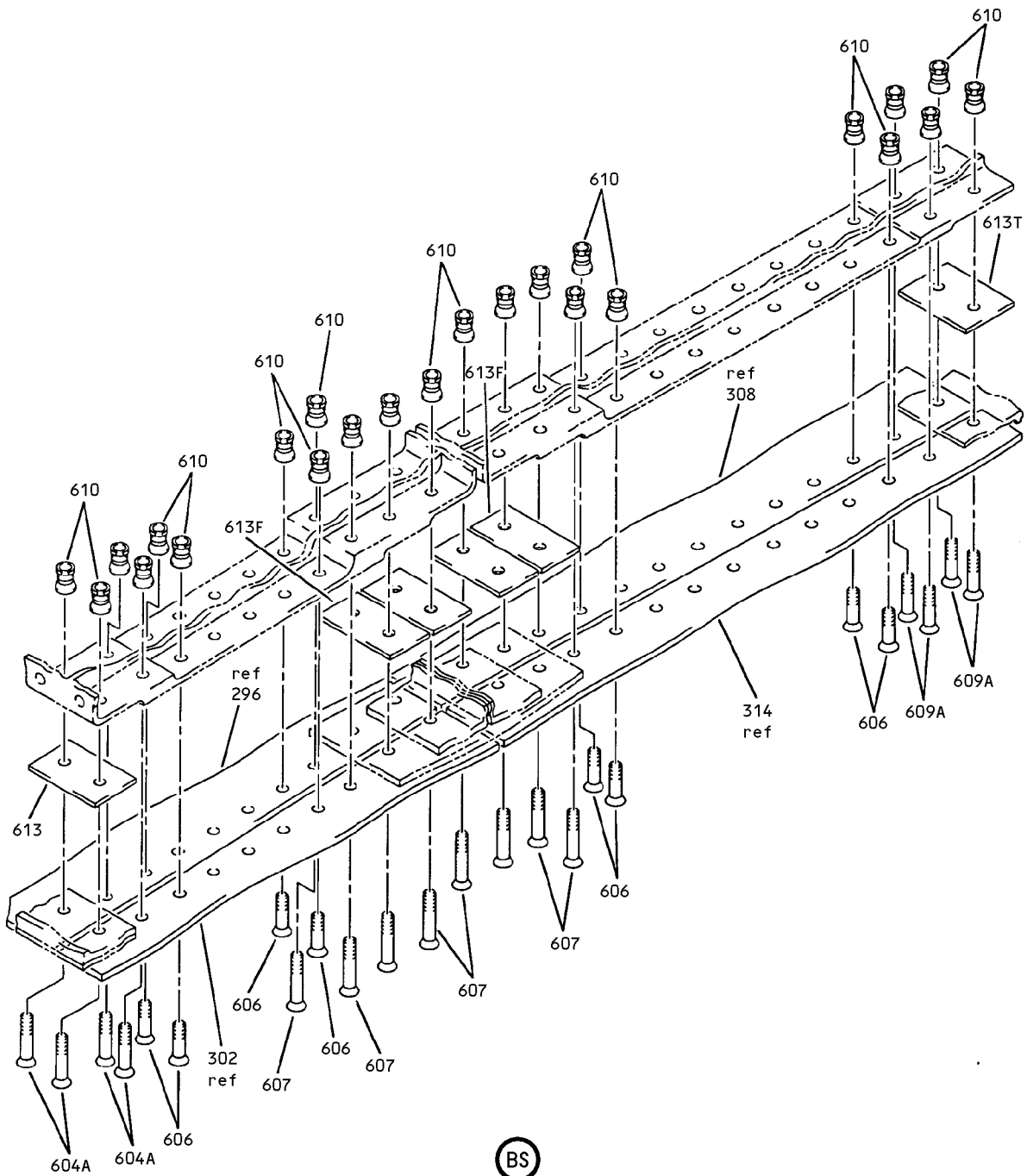
ILLUSTRATED PARTS LIST
01.1 Page 1044J
Nov 01/04



Outboard Trailing Edge Flap Assembly
Figure 1 (Sheet 49)

57-53-51

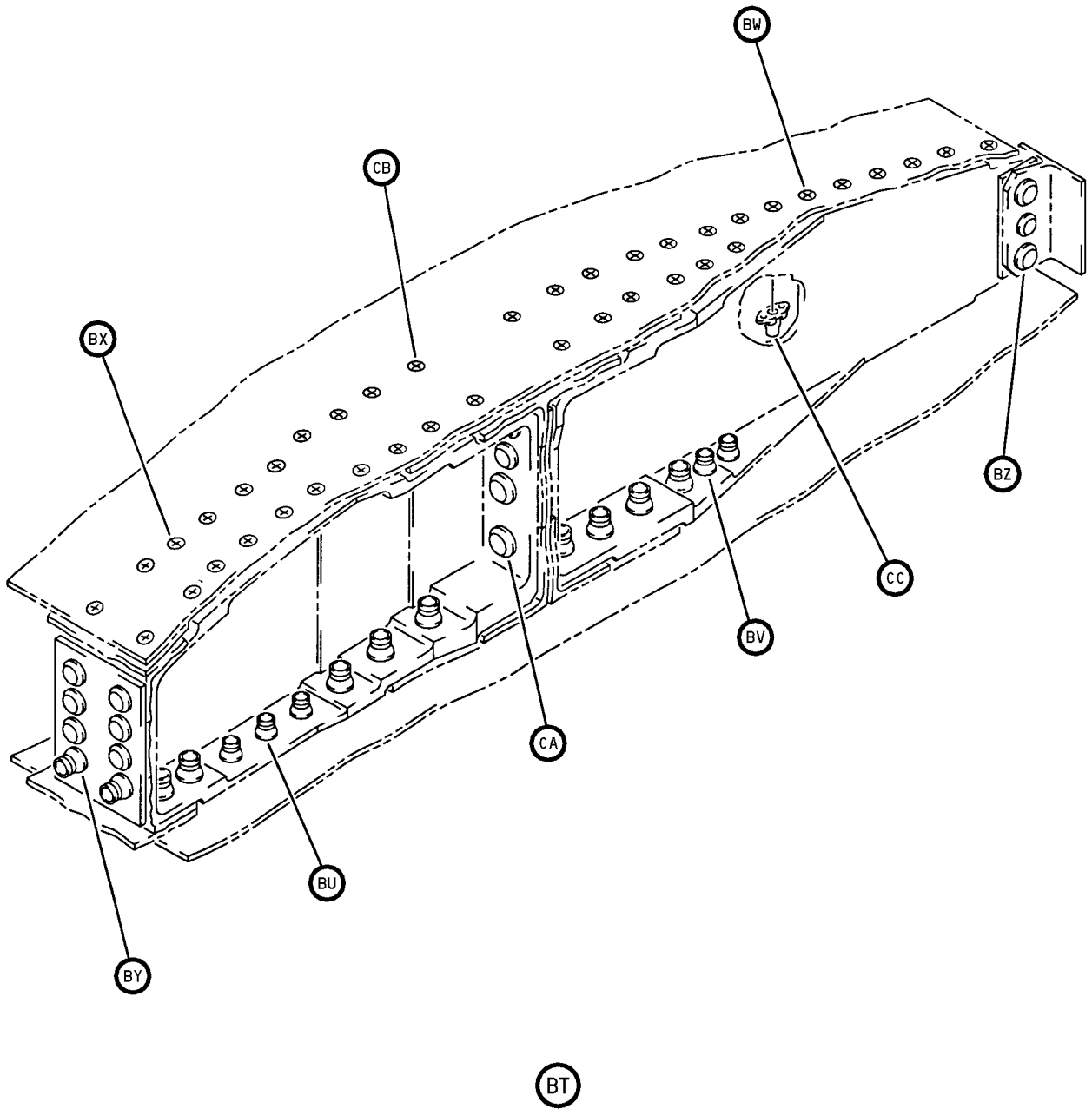
ILLUSTRATED PARTS LIST
01.1 Page 1044K
Nov 01/04



Outboard Trailing Edge Flap Assembly
Figure 1 (Sheet 50)

57-53-51

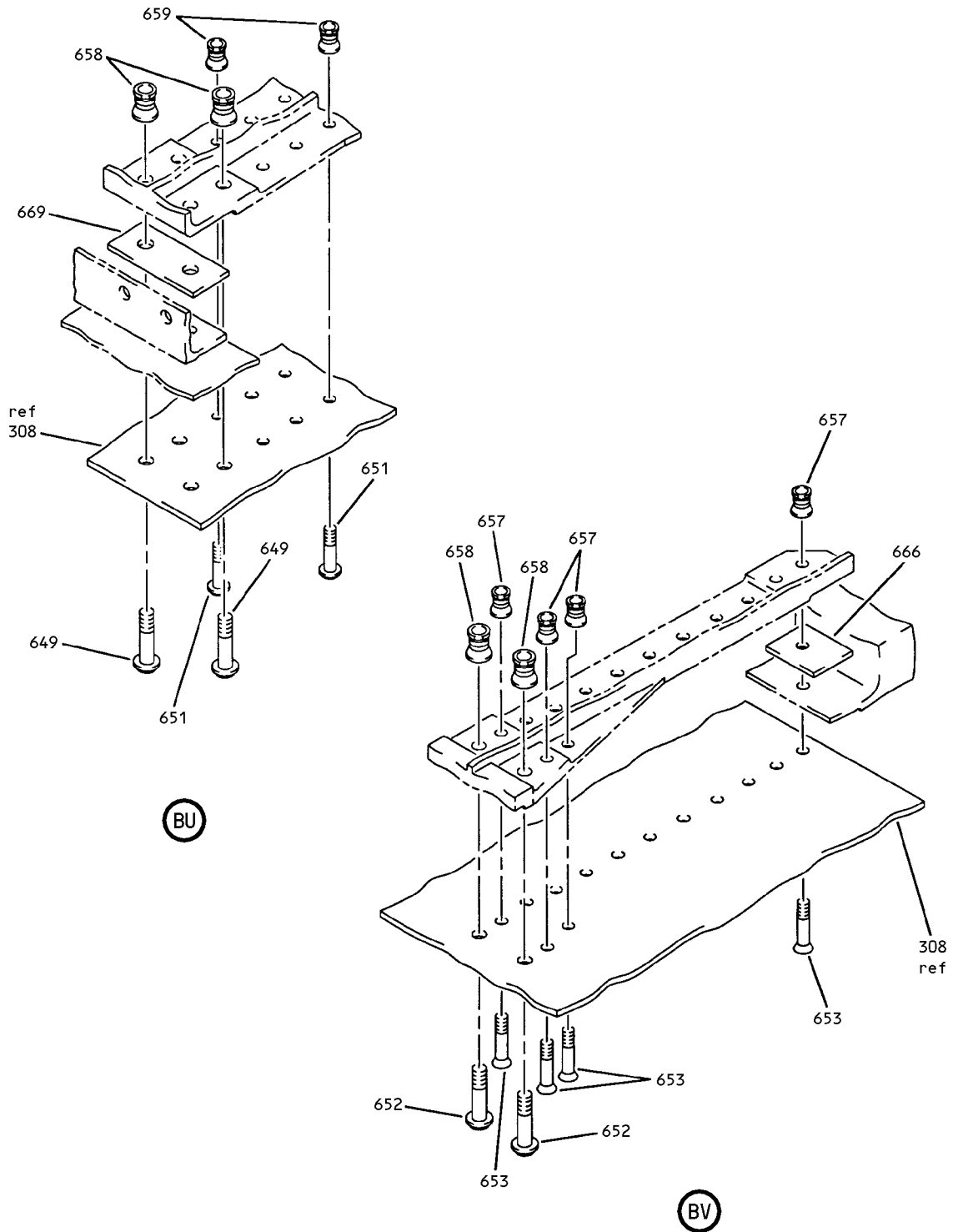
ILLUSTRATED PARTS LIST
01.1 Page 1044L
Nov 01/04



Outboard Trailing Edge Flap Assembly
Figure 1 (Sheet 51)

57-53-51

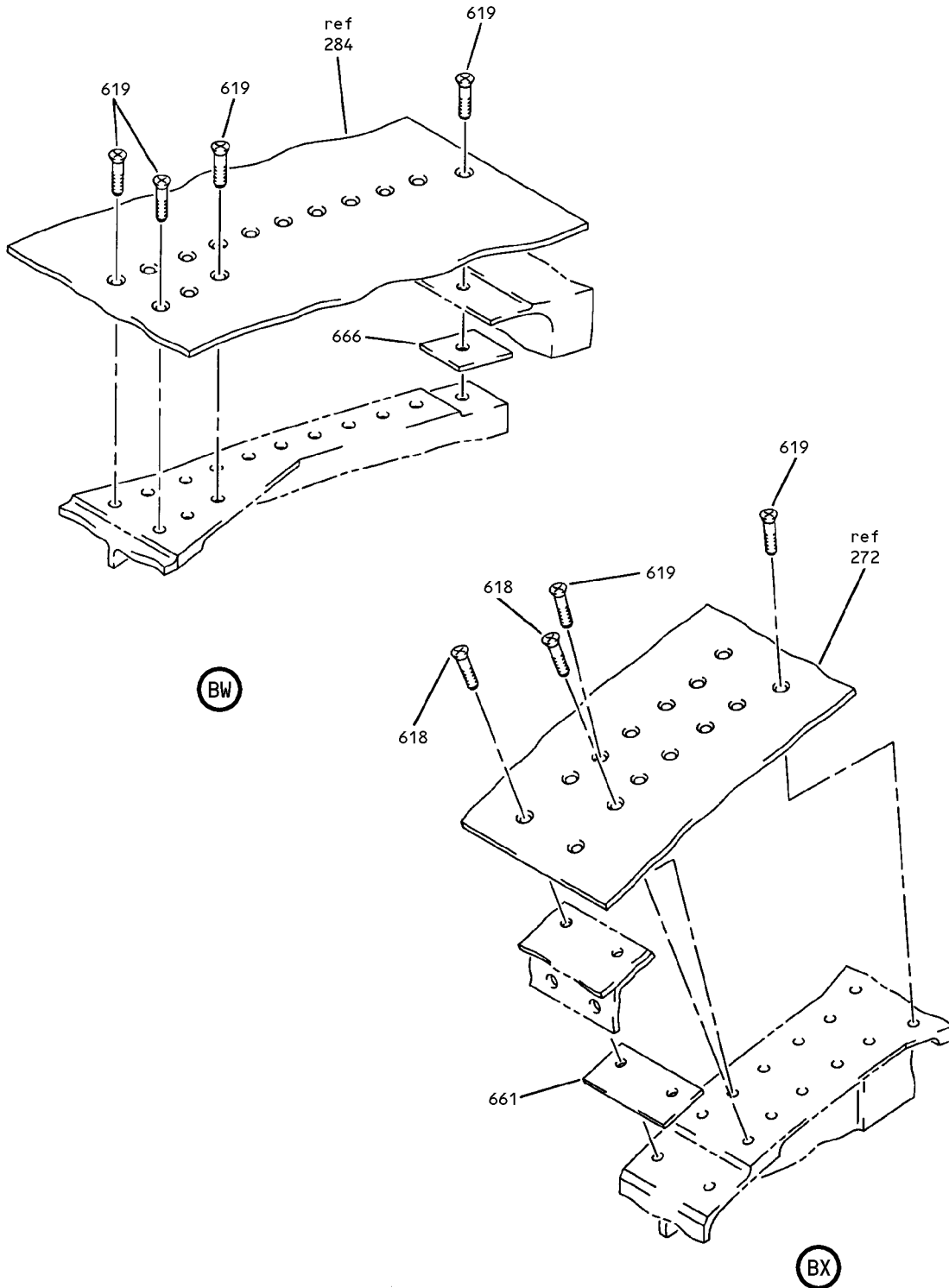
ILLUSTRATED PARTS LIST
01.1 Page 1044M
Nov 01/04



Outboard Trailing Edge Flap Assembly
 Figure 1 (Sheet 52)

57-53-51

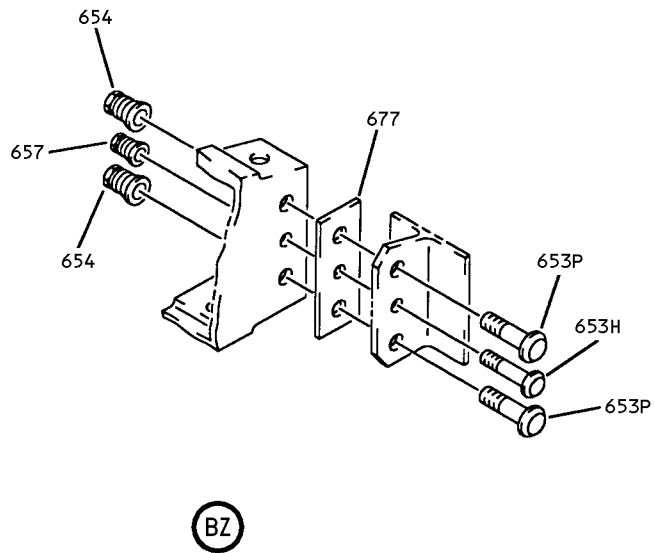
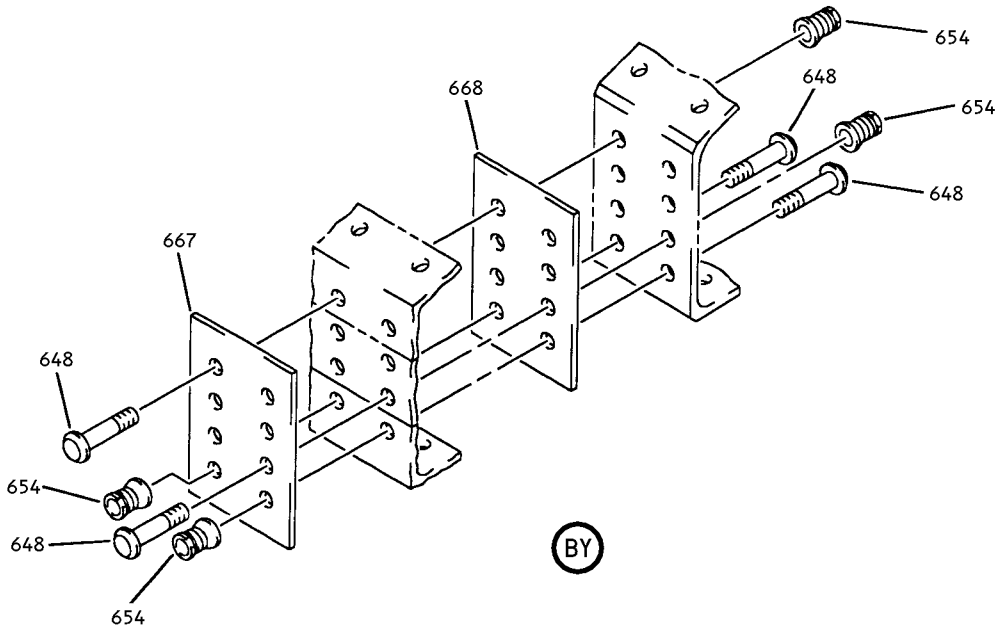
ILLUSTRATED PARTS LIST
 01.1 Page 1044N
 Nov 01/04



Outboard Trailing Edge Flap Assembly
Figure 1 (Sheet 53)

57-53-51

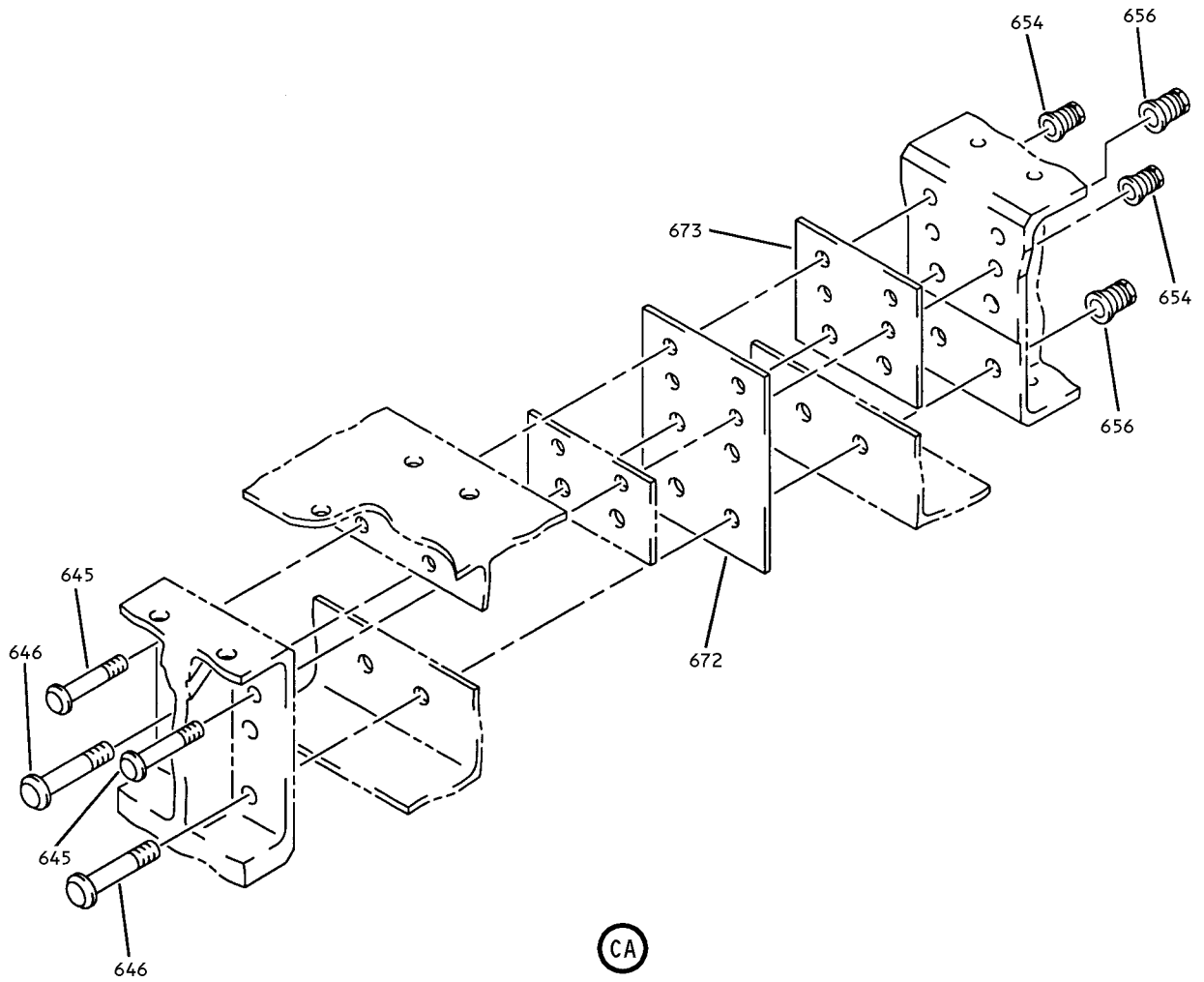
ILLUSTRATED PARTS LIST
01.1 Page 10440
Nov 01/04



Outboard Trailing Edge Flap Assembly
 Figure 1 (Sheet 54)

57-53-51

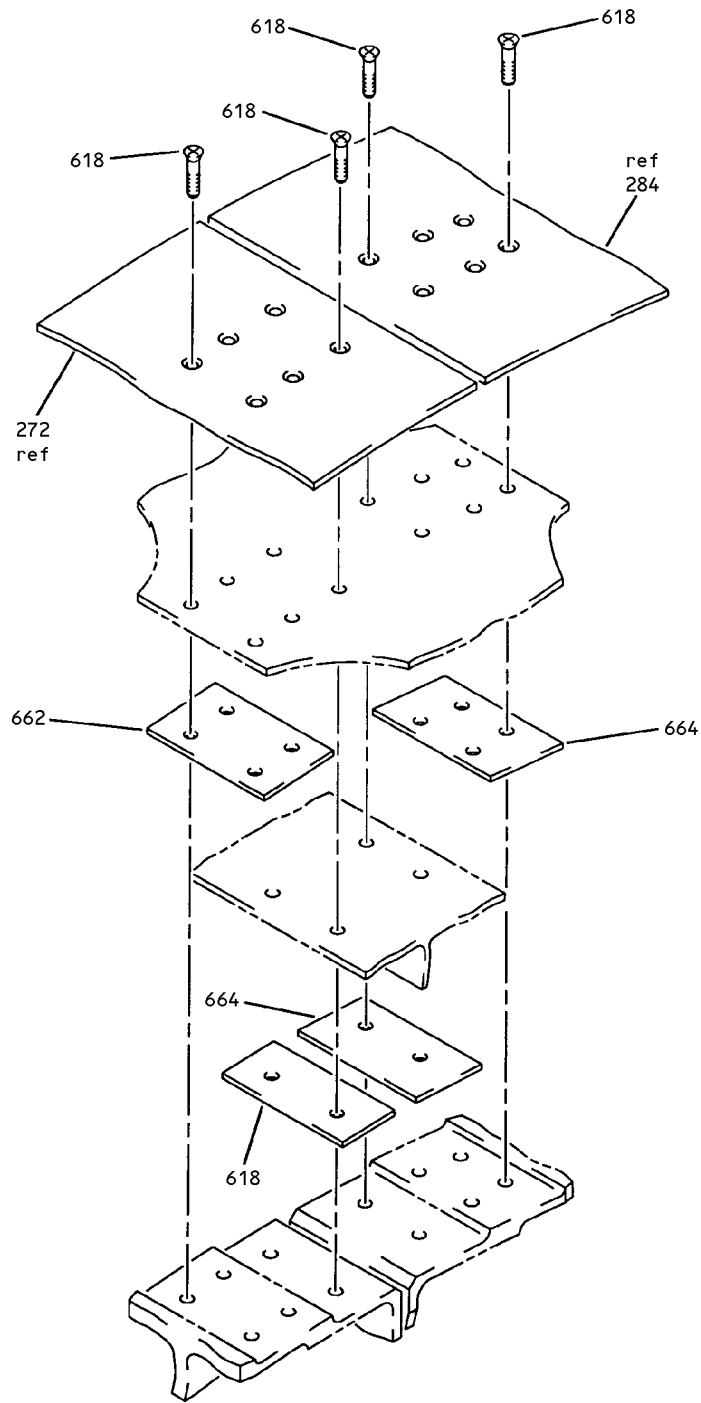
ILLUSTRATED PARTS LIST
 01.1 Page 1044P
 Nov 01/04



Outboard Trailing Edge Flap Assembly
Figure 1 (Sheet 55)

57-53-51

ILLUSTRATED PARTS LIST
01.1 Page 1044Q
Nov 01/04

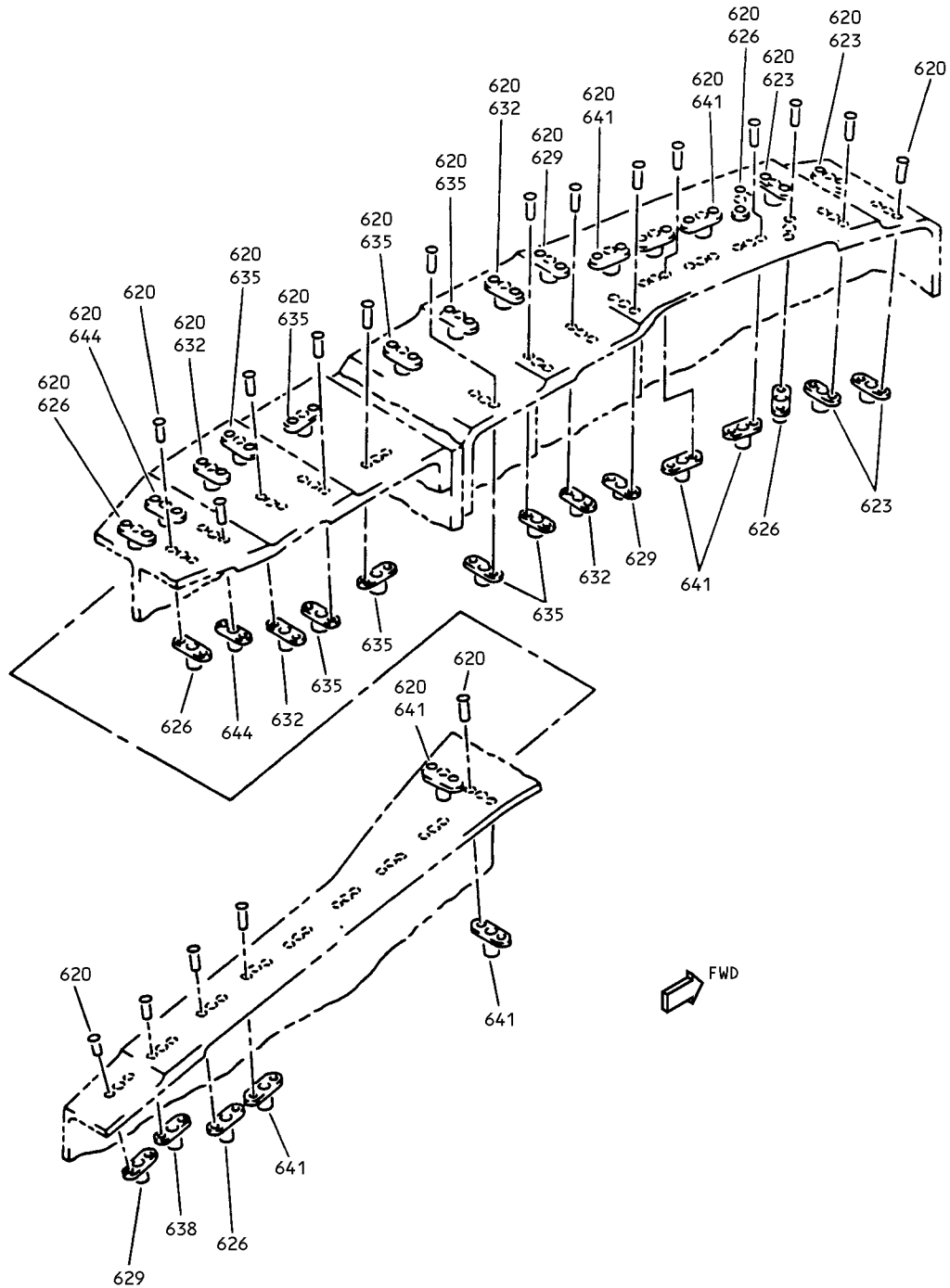


(CB)

Outboard Trailing Edge Flap Assembly
Figure 1 (Sheet 56)

57-53-51

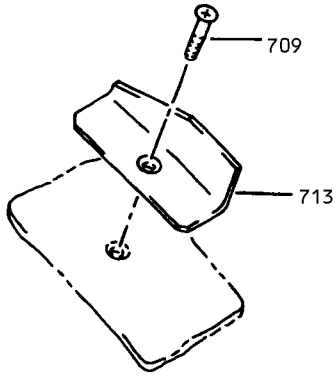
ILLUSTRATED PARTS LIST
01.1 Page 1044R
Nov 01/04



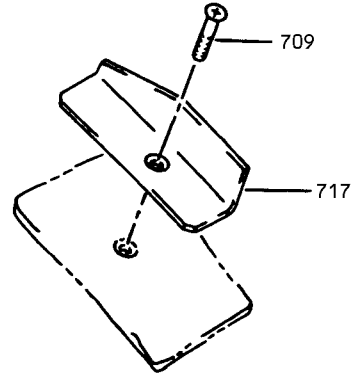
Outboard Trailing Edge Flap Assembly
Figure 1 (Sheet 57)

57-53-51

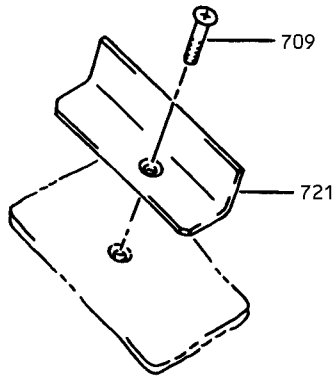
ILLUSTRATED PARTS LIST
01.1 Page 1044S
Nov 01/04



CD



CE



CF

Outboard Trailing Edge Flap Assembly
Figure 1 (Sheet 58)

57-53-51

ILLUSTRATED PARTS LIST
01.1 Page 1044T
Nov 01/04


BOEING
 COMPONENT
 MAINTENANCE MANUAL

FIG. & ITEM	PART NO.	AIRLINE PART NUMBER	NOMENCLATURE 1234567	EFF CODE	QTY PER ASSY
01-					
-1	113T3100-1SP		FLAP ASSY-OUTBD TE (LH)	A	RF
-1A	113T3100-3SP		FLAP ASSY-OUTBD TE (LH)	B	RF
-1B	113T3100-41		FLAP ASSY-OUTBD TE (VARIABLE) (LH)	E	RF
-1C	113T3100-59SP		FLAP ASSY-OUTBD TE (VARIABLE) (LH)	G	RF
-1D	113T3100-61		FLAP ASSY-OUTBD TE (VARIABLE) (LH)	J	RF
-1E	113T3100-63SP		DELETED		
-1F	113T3100-65		DELETED		
-1G	113T3100-67		DELETED		
-1H	113T3100-63		FLAP ASSY-OUTBD TE (LH) (PRE SB 767-27-0080)	L	RF
-1J	113T3100-69SP		FLAP ASSY-OUTBD TE (LH)	N	RF
-1K	113T3100-71		DELETED		
-1L	113T3100-73SP		FLAP ASSY-OUTBD TE (LH)	S	RF
-1M	113T3100-75		FLAP ASSY-OUTBD TE (VARIABLE) (LH) (PRE SB 767-27-0080)	Q	RF
-1N	113T3100-77		FLAP ASSY-OUTBD TE (LH) (POST SB 767-27-0080)	U	RF
-1P	113T3100-79SP		FLAP ASSY-OUTBD TE (LH)	W	RF
-1Q	113T3100-81		FLAP ASSY-OUTBD TE (VARIABLE) (LH)	Y	RF
-1R	113T3100-83		FLAP ASSY-OUTBD TE (VARIABLE) (LH)	AA	RF
-1S	113T3100-87		FLAP ASSY-OUTBD TE (VARIABLE) (LH)	AC	RF
-1T	113T3100-89		FLAP ASSY-OUTBD TE (LH)	AE	RF
-1U	113T3100-91SP		FLAP ASSY-OUTBD TE (LH)	AG	RF
-1V	113T3100-93G		DELETED		
-1W	113T3100-93J		DELETED		
-1X	113T3100-95		DELETED		
-1Y	113T3100-93SP		FLAP ASSY-OUTBD TE (LH)	AJ	RF
-1Z	113T3100-95SP		FLAP ASSY-OUTBD TE (LH)	AN	RF

57-53-51

 ILLUSTRATED PARTS LIST
 01.101 Page 1044U
 Nov 01/05

FIG. & ITEM	PART NO.	AIRLINE PART NUMBER	NOMENCLATURE 1234567	EFF CODE	QTY PER ASSY
01-			DELETED		
-2	113T3100-401SP		FLAP ASSY-OUTBD TE (LH)	AK	RF
-2A	113T3100-401G		(FOR DETAILS SEE FIG. 6)		
-2B	113T3100-97G		FLAP ASSY-OUTBD TE (LH)	AQ	RF
-2C	113T3100-99G		FLAP ASSY-OUTBD TE (LH)	AS	RF
-2D	113T3100-99H		FLAP ASSY-OUTBD TE (LH)	AT	RF
-2E	113T3100-101G		FLAP ASSY-OUTBD TE (LH)	AW	RF
R -2F	113T3100-97H		FLAP ASSY-OUTBD TE (LH)	AY	RF
R -2G	113T3100-451G		FLAP ASSY-OUTBD TE (LH)	BB	RF
			(FOR DETAILS SEE FIG. 6)		
-2H	113T3100-85		FLAP ASSY-OUTBD TE (LH)	BD	RF
-4	113T3100-2SP		FLAP ASSY-OUTBD TE (RH)	C	RF
-4A	113T3100-4SP		FLAP ASSY-OUTBD TE (RH)	D	RF
-4B	113T3100-42		FLAP ASSY-OUTBD TE	F	RF
			(VARIABLE) (RH)		
-4C	113T3100-60SP		FLAP ASSY-OUTBD TE	H	RF
			(VARIABLE) (RH)		
-4D	113T3100-62		FLAP ASSY-OUTBD TE	K	RF
			(VARIABLE) (RH)		
-4E	113T3100-64SP		DELETED		
-4F	113T3100-66		DELETED		
-4G	113T3100-68		DELETED		
-4H	113T3100-64		FLAP ASSY-OUTBD TE (RH)	M	RF
			(PRE SB 767-27-0080)		
-4J	113T3100-70SP		FLAP ASSY-OUTBD TE (RH)	P	RF
-4K	113T3100-72		DELETED		
-4L	113T3100-74SP		FLAP ASSY-OUTBD TE (RH)	T	RF
-4M	113T3100-76		FLAP ASSY-OUTBD TE	R	RF
			(VARIABLE) (RH)		
			(PRE SB 767-27-0080)		
-4N	113T3100-78		FLAP ASSY-OUTBD TE (RH)	V	RF
			(POST SB 767-27-0080)		
-4P	113T3100-80SP		FLAP ASSY-OUTBD TE (RH)	X	RF
-4Q	113T3100-82		FLAP ASSY-OUTBD TE	Z	RF
			(VARIABLE) (RH)		
-4R	113T3100-84		FLAP ASSY-OUTBD TE	AB	RF
			(VARIABLE) (RH)		
-4S	113T3100-88		FLAP ASSY-OUTBD TE	AD	RF
			(VARIABLE) (RH)		
-4T	113T3100-90		FLAP ASSY-OUTBD TE (RH)	AF	RF
-4U	113T3100-92SP		FLAP ASSY-OUTBD TE (RH)	AH	RF
-4V	113T3100-94G		DELETED		

57-53-51

 ILLUSTRATED PARTS LIST
 01.1 Page 1044V
 Nov 01/05


BOEING
 COMPONENT
 MAINTENANCE MANUAL

FIG. & ITEM	PART NO.	AIRLINE PART NUMBER	NOMENCLATURE 1234567	EFF CODE	QTY PER ASSY
01-			DELETED		
-4W	113T3100-94J		DELETED		
-4X	113T3100-96		DELETED		
-4Y	113T3100-94SP		FLAP ASSY-OUTBD TE (RH)	AL	RF
-4Z	113T3100-96SP		FLAP ASSY-OUTBD TE (RH)	AP	RF
-5	113T3100-402SP		DELETED		
-5A	113T3100-402G		FLAP ASSY-OUTBD TE (RH) (FOR DETAILS SEE FIG. 6)	AM	RF
-5B	113T3100-98G		FLAP ASSY-OUTBD TE (RH)	AR	RF
-5C	113T3100-100G		FLAP ASSY-OUTBD TE (RH)	AU	RF
-5D	113T3100-100H		FLAP ASSY-OUTBD TE (RH)	AV	RF
-5E	113T3100-102H		DELETED		
R -5F	113T3100-98H		FLAP ASSY-OUTBD TE (RH)	AZ	RF
R -5G	113T3100-102G		FLAP ASSY-OUTBD TE (RH)	BA	RF
R -5H	113T3100-452G		FLAP ASSY-OUTBD TE (RH) (FOR DETAILS SEE FIG. 6)	BC	RF
-5J	113T3100-86		FLAP ASSY-OUTBD TE (RH)	BE	RF
6	5673-322		DELETED		
R 6A	113T3100-58		.PLUG-END (MFD FROM SH RUBBER SILICONE SPONGE BMS1-23 0.70 X 1.10 X 1.50 IN.) (OPT ITEM 6B)	A,C	1
R -6B	CG3824		.PLUG-END (V25099) (SPEC 10-60754-322) (OPT ITEM 6A)	A,C	1
7	113T3100-11		.SEAL- (MFD FROM EXTR RUBBER 10-60754-321 23.20 IN.)	A,C	1
-10	113T3100-46		DELETED		
10A	113T3100-48		.SEAL- (MFD FROM EXTR RUBBER 10-60754-93 22.3 IN.)	B,D-A J,AL, AN-AW ,AY- BA, BD, BE	1
11	113T3100-50		.PLUG-END (MFD FROM SH RUBBER BMS1-23 0.65 X 1.0 X 1.5 IN.)	B,D-A J,AL, AN-AW AY-BA BD,BE	2

57-53-51

ILLUSTRATED PARTS LIST

01.1 Page 1044W

Nov 01/05

FIG. & ITEM	PART NO.	AIRLINE PART NUMBER	NOMENCLATURE 1234567	EFF CODE	QTY PER ASSY
01-13	BACB30NN3K8		.BOLT	A-AJ, AL,A N-AW, AY-BA BD,BE	23
16	BACR15BA3AD		.RIVET- (SIZE DETERMINE ON INST)	A-AJ, AL,A N-AW, AY-BA BD,BE	46
19	BACN10JQ35		.NUTPLATE	A-AJ, AL,A AN-AW AY-BA BD,BE	21
R -19A	MF19058-3-5BAC		.NUTPLATE- (V15653) (SPEC BACN10YF35)	AY-BA	21
22	NS103193-02		.NUTPLATE- (V80539) (SPEC BACN10KE3D) (OPT F51754-3 (V15653))	A-AJ, AL,A AN-AW AY-BA BD,BE	2
25	113T3100-5		.RETAINER-SEAL	A	1
-25A	113T3100-23		.RETAINER-SEAL	B,E,G ,J,L, N,Q,S ,U,W, Y,AA AC,AE ,AG,A J,AN, AQ,AS AT, BD, AW,AY	1

57-53-51

 ILLUSTRATED PARTS LIST
 01.1 Page 1044X
 Nov 01/05

BOEING
 COMPONENT
 MAINTENANCE MANUAL

FIG. & ITEM	PART NO.	AIRLINE PART NUMBER	NOMENCLATURE 1234567	EFF CODE	QTY PER ASSY
01-					
-28	113T3100-6		.RETAINER-SEAL	C	1
-28A	113T3100-24		.RETAINER-SEAL	D, F, H K, M, P, R, T V, X, Z, AB AD, AF AH, A L, AP, AR, AU, AZ, BA, BE	1
-31	113T3100-23		DELETED		
-34	113T3100-24		DELETED		
37	113T3100-18		.STRIP	A-AJ, AL, A N-AW, AY-BA BD-BE	1
40	BACS40R08B11F		.SHIM	A-AJ, AL, AN-AW BD-BE	1
R -40A	BACS40R008B011F		.SHIM	AY-BA	1
43	NAS463FDD10H		.SHIM	A-AJ, AL, AN-AW AY-BA BD-BE	4
46	NAS463FDD10		.SPACER	A-AJ, AL, AN-AW AY-BA BD-BE	2
49	113T3100-47		DELETED		
49A	113T3100-49		.SEAL- (MFD FROM EXTR RUBBER 10-60754-93 9.2 IN.)	B, D-A J, AL, AN-AW AY-BA BD, BE	1

57-53-51

ILLUSTRATED PARTS LIST
 01.1 Page 1044Y
 Nov 01/05

FIG. & ITEM	PART NO.	AIRLINE PART NUMBER	NOMENCLATURE 1234567	EFF CODE	QTY PER ASSY
01-52	BACR15BA6AD		.RIVET- (SIZE DETERMINE ON INST)	B,D-A J,AL, AN-AW	4
55	113T3101-7		.RETAINER-SEAL	B,E,G ,J,L, N,Q,S ,U,W, Y,AA AC,AE ,AG,A J,AN, AQ,AS ,AT, AW, AY,BD	1
-58	113T3101-8		.RETAINER-SEAL	D,F,H ,K,M, P,R,T ,V,X, Z,AB AD,AF ,AH,A L,AP, AR, AU, AV, AZ, BA, BE	1
61	113T3109-1		.FILLER	B,D-A J,AL, AN-AW AY-BA BD,BE	1
64	113T3100-21		.SEAL- (MFD FROM EXTR RUBBER 10-60754-279 2.70 IN.)	A,C	1
67	BACB30NN3K8		.BOLT	A,C	2
70	BACR15BA3AD		.RIVET- (SIZE DETERMINE ON INST)	A,C	4
73	BACN10JQ36		.NUTPLATE	A,C	2
76	113T3100-9		.RETAINER-SEAL	A	1
-79	113T3100-10		.RETAINER-SEAL	C	1
82	113T3100-15		.STRIP	A,C	1

57-53-51

ILLUSTRATED PARTS LIST

01.1 Page 1044Z

Nov 01/05


BOEING
 COMPONENT
 MAINTENANCE MANUAL

FIG. & ITEM	PART NO.	AIRLINE PART NUMBER	NOMENCLATURE 1234567	EFF CODE	QTY PER ASSY
01-85	113T3100-7		.SEAL- (MFD FROM EXTR RUBBER 10-60754-279 45.50 IN.)	A,C	1
88	BACB30NN3K8		.BOLT	A,C	37
91	BACR15BA3AD		.RIVET- (SIZE DETERMINE ON INST)	A,C	74
94	BACN10JQ36		.NUTPLATE	A,C	3
97	NS103191-02-6		.NUTPLATE- (V80539) (SPEC BACN10KE3B6) (OPT F51750-3-6 (V15653)) (OPT RMF9213-6-3 (V72962)) (OPT BRFR220A3-6 (V52828))	A,C	34
100	113T3100-39		.RETAINER-SEAL	A	1
-103	113T3100-40		.RETAINER-SEAL	C	1
105	113T3100-16		.STRIP	A,C	1
106	113T3100-33		DELETED		
106A	113T3100-57		.SEAL- (MFD FROM EXTR RUBBER 10-60754-221 X 43.0 IN.)	B,D-A J,AL, AN-AW AY-BA BD,BE	1
107	113T3100-51		.PLUG- (MFD FROM EXTR RUBBER 0.88 DIA X 1.60 IN.)	B,D-A J,AL, AN-AW AY-BA BD,BE	2
107G	113T3100-51		DELETED		
109	BACR15BA3AD		.RIVET- (SIZE DETERMINE ON INST)	B,D-A J,AL, AN-AW AY-BA	74
112	BACB30NN3K8		.BOLT	B,D-A J,AL, AN-AW AY-BA BD,BE	37

57-53-51

ILLUSTRATED PARTS LIST

01.1

Page 1045

Nov 01/05

FIG. & ITEM	PART NO.	AIRLINE PART NUMBER	NOMENCLATURE 1234567	EFF CODE	QTY PER ASSY
01- 115 115A	BACN10JQ36 MF19058-3-6BAC		DELETED .NUTPLATE- (V15653) (SPEC BACN10YF36)	B,D-A J,AL, AN-AW ,AY- BA	4
118	NS103191-02-6		.NUTPLATE- (V80539) (SPEC BACN10KE3B6) (OPT F51750-3-6 (V15653)) (OPT RMF9213-6-3 (V72962)) (OPT BRFR220A3-6 (V52828))	B,D-A J,AL, AN-AW AY-BA BD,BE	33
121 121A	113T3100-31 113T3100-53		DELETED .RETAINER-SEAL	B,E,G ,J,L, N,Q,S ,U,W, Y,AA AC,AE ,AG,A J,AN, AQ,AS ,AT AW, AY, BD	1
-124 -124A	113T3100-32 113T3100-54		DELETED .RETAINER-SEAL	D,F,H ,K,M, P,R,T ,V,X, Z,AB AD,AF ,AH,A L,AP, AR,AU ,AV AZ, BA,BE	1

57-53-51

ILLUSTRATED PARTS LIST

01.1

Page 1046

Nov 01/05

BOEING
 COMPONENT
 MAINTENANCE MANUAL

FIG. & ITEM	PART NO.	AIRLINE PART NUMBER	NOMENCLATURE 1234567	EFF CODE	QTY PER ASSY
01-127	113T3100-29		.STRIP	B,D-A J,AL, AN-AW AY-BA BD-BE	1
130	113T3100-17		.STRIP	A-AJ, AL,A N-AW, AY-BA BD-BE	1
133	BACS40R15D20F		.SHIM	B,D-A J,AL, AN-AW BD-BE	1
R-133A	BACS40R15C020F		.SHIM	AY-BA	1
136	BACS40R09C12F		.SHIM	B,D-A J,AL, AN-AW BD-BE	1
R-136A	BACS40R009C012F		.SHIM	AY-BA	1
139	113T3100-12		.RETAINER-SEAL	A,C	1
140	113T3100-55		.RETAINER-SEAL	B,E,G ,J,L, N,Q,S ,U,W, Y,AA AC,AE ,AG,A J,AN, AQ,AS ,AT AW, AY,BD	1
-140G	113T3100-56		.RETAINER-SEAL	D,F,H ,K,M, P,R,T ,V,X, Z AD,AF ,AH,A L,AP, AR,AU ,AV AZ, BE,BZ	1

57-53-51

ILLUSTRATED PARTS LIST
 01.1 Page 1046A
 Nov 01/05

FIG. & ITEM	PART NO.	AIRLINE PART NUMBER	NOMENCLATURE 1234567	EFF CODE	QTY PER ASSY
01-142	BACR15CE6KE		.RIVET- (SIZE DETERMINE ON INST)	A-AJ, AL,A N-AW, AY-BA	2
145	113T3100-14		.SHIM	A-AJ, AL,A N-AW, AY-BA BD-BE	1
148	BACS40R09B15F		.SHIM	A-AJ, AL, AN-AW BD-BE	1
R-148A	BACS40R009B015F		.SHIM	AY-BA	1
151	113T3100-27		DELETED		
151A	113T3100-52		.SEAL- (MFD FROM EXTR RUBBER 10-60754-221 X 46.0 IN.)	B,D-A J,AL, AN-AW AY-BA BD-BE	1
154	BACB30NN3K8		.BOLT	B,D-A J,AL, AN-AW AY- BA, BD,BE	38
157	113T3101-1		DELETED		
157A	113T3101-13		.RETAINER-SEAL	B,E,G J,L, N,Q,S U,W, Y,AA AC,AE AG,A J,AN, AQ,AS AT AW, AY,BD	1

57-53-51

ILLUSTRATED PARTS LIST

01.1 Page 1046B

Nov 01/05

BOEING
 COMPONENT
 MAINTENANCE MANUAL

FIG. & ITEM	PART NO.	AIRLINE PART NUMBER	NOMENCLATURE 1234567	EFF CODE	QTY PER ASSY
01- -160 -160A	113T3101-2 113T3101-14		DELETED .RETAINER-SEAL	D,F,H ,K,M P,R,T ,V,X, Z,AB AD,AF ,AH,A L,AP, AR,AU ,AV AZ, BA,BE	1
163 163A	113T3101-9 113T3101-15		DELETED .RETAINER-SEAL	B,E,G ,J,L, N,Q,S ,U,W, Y,AA AC,AE ,AG,A J,AN, AQ,AS ,AT AW, AY,BD	1
-166 -166A	113T3101-10 113T3101-16		DELETED .RETAINER-SEAL	D,F,H ,K,M P,R,T ,V,X, Z,AB AD,AF ,AH,A L,AP, AR,AU ,AV AZ, BA,BE	1

57-53-51

ILLUSTRATED PARTS LIST
 01.1 Page 1046C
 Nov 01/05

FIG. & ITEM	PART NO.	AIRLINE PART NUMBER	NOMENCLATURE 1234567	EFF CODE	QTY PER ASSY
01-169	113T3101-11		.RETAINER-SEAL	B,E,G ,J,L, N,Q,S ,U,W, Y,AA AC,AE ,AG,A J,AN, AQ,AS ,AT AW, AY,BD	1
-172	113T3101-12		.RETAINER-SEAL	D,F,H ,K,M, P,R,T ,V,X, Z,AB AD,AF ,AH,A L,AP, AR,AU ,AV AZ, BA,BE	1
175	113T3113-1		.STRIP ASSY	B,D-A J,AL, AN-AW ,AY- BA, BD,BE	1
178	BACR15BA3AD		..RIVET- (SIZE DETERMINE ON INST)	B,D-A J,AL, AN-AW ,AY- BA	22
181 181A	BRFM22A5-3 MF19058-3-5BAC		DELETED ..NUTPLATE- (V15653) (SPEC BACN10YF35)	B,D-A J,AL, AN-AW ,AY- BA	11

57-53-51

 ILLUSTRATED PARTS LIST
 01.1 Page 1046D
 Nov 01/05


BOEING
 COMPONENT
 MAINTENANCE MANUAL

FIG. & ITEM	PART NO.	AIRLINE PART NUMBER	NOMENCLATURE 1234567	EFF CODE	QTY PER ASSY
01-184	113T3113-7		..STRIP	B,D-A J,AL, AN-AW ,AY- BA	1
187	113T3113-3		.STRIP ASSY	B,D-A J,AL, AN-AW AY-BA BD,BE	1
190	BACR15BA3AD		..RIVET- (SIZE DETERMINE ON INST)	B,D-A J,AL, AN-AW ,AY- BA	32
193 193A	BRFM22A5-3 MF19058-3-5BAC		DELETED ..NUTPLATE- (V15653) (SPEC BACN10YF35)	B,D-A J,AL, AN-AW ,AY- BA	16
196	113T3113-9		..STRIP	B,D-A J,AL, AN-AW ,AY- BA	1
199	113T3113-13		.STRIP ASSY	B,D-A J,AL, AN-AW AY-BA BD,BE	1
202	BACR15BA3AD		..RIVET- (SIZE DETERMINE ON INST)	B,D-A J,AL, AN-AW ,AY- BA	22
205 206	BRFM22A5-3 MF19058-3-5BAC		DELETED ..NUTPLATE- (V15653) (SPEC BACN10YF35)	B,D-A J,AL, AN-AW ,AY- BA	11

57-53-51

ILLUSTRATED PARTS LIST

01.1 Page 1046E

Nov 01/05

FIG. & ITEM	PART NO.	AIRLINE PART NUMBER	NOMENCLATURE 1234567	EFF CODE	QTY PER ASSY
01- 207 208	NS103194-02-5 113T3113-12		DELETED ..STRIP	B,D-A J,AL, AN-AW AY-BA BD,BE	1
211	BACR15BA6AD		.RIVET- (SIZE DETERMINE ON INST)	B,D-A J,AL, AN-AW ,AY- BA	2
214	113T3100-37		.SHIM	B,D-A J,AL, AN-AW AY-BA BD,BE	1
217	BACS40R09B27F		.SHIM	B,D-A J,AL, AN-AW BD,BE	1
R -217A	BACS40R009B027F		.SHIM	AY-BA	1
220	BACR15BA6AD		.RIVET- (SIZE DETERMINE ON INST)	A,C	3
223	113T3100-13		.SHIM	A,C	1
224	BACS40R09B27F		.SHIM	A,C	1
226	BACR15BA4AD		.RIVET- (SIZE DETERMINE ON INST)	A-AJ, AL,A N-AW	12
229	F171-5		.NUTPLATE- (V72962) (SPEC BACN10JB5) (OPT 43600-054 (V80539)) (OPT BRF210A5 (V52828))	A-AJ, AL,A N-AW, AY-BA BD,BE	6

57-53-51

 ILLUSTRATED PARTS LIST
 01.1 Page 1046F
 Nov 01/05

BOEING
 COMPONENT
 MAINTENANCE MANUAL

FIG. & ITEM	PART NO.	AIRLINE PART NUMBER	NOMENCLATURE	EFF CODE	QTY PER ASSY
01-229L	HL1012AZ6-9		1234567 .BOLT- (V97928) (SPEC BACB30NX6K9) (OPT HL12VAZ6-9 (V73197)) (OPT HL12VAZ6-9 (V92215)) (OPT HL12VAZ6-9 (V97928)) (OPT L802-6K9 (V06725)) (OPT HL12VAZ6-9 (V56878)) (OPT HL1012AZ6-9 (V0PTK6)) (OPT HL1012AZ6-9 (V06725)) (OPT HL1012AZ6-9 (V06950)) (OPT HL1012AZ6-9 (V17446)) (OPT HL1012AZ6-9 (V56878)) (OPT HL1012AZ6-9 (V60516)) (OPT HL1012AZ6-9 (V73197))	A-AJ, AL,A N-AW	8

57-53-51

ILLUSTRATED PARTS LIST
 01.1 Page 1046G
 Nov 01/04

FIG. & ITEM	PART NO.	AIRLINE PART NUMBER	NOMENCLATURE 1234567	EFF CODE	QTY PER ASSY
R 01- -229M	HL1012AZ6-10		.BOLT- (V97928) (SPEC BACB30NX6K10) (OPT HL12VAZ6-10 (V73197)) (OPT HL12VAZ6-10 (V92215)) (OPT HL12VAZ6-10 (V97928)) (OPT L802-6K10 (V06725)) (OPT HL12VAZ6-10 (V56878)) (OPT HL1012AZ6-10 (V0PTK6)) (OPT HL1012AZ6-10 (V06725)) (OPT HL1012AZ6-10 (V06950)) (OPT HL1012AZ6-10 (V17446)) (OPT HL1012AZ6-10 (V56878)) (OPT HL1012AZ6-10 (V60516)) (OPT HL1012AZ6-10 (V73197))	AY-BA BD, BE	8
229R	HL1187-6		.COLLAR- (V5M902) (SPEC BACC30X6) (OPT HL87-6 (V92215)) (OPT HL87-6 (V73197)) (OPT HL1187-6 (V56878)) (OPT HL1187-6 (V92215)) (OPT HL87-6 (V56878)) (OPT HL1187-6 (V73197))	A-AJ, AL, A N-AW, BA, BD, BE	8

57-53-51

 ILLUSTRATED PARTS LIST
 01.1 Page 1046H
 Nov 01/05


BOEING
 COMPONENT
 MAINTENANCE MANUAL

FIG. & ITEM	PART NO.	AIRLINE PART NUMBER	NOMENCLATURE 1234567	EFF CODE	QTY PER ASSY
R 01- -229S	HL1087-6		.COLLAR- (V73197) (SPEC BACC30BH6) (OPT HL1087-6 (V56878)) (OPT HL1087-6 (V92215)) (OPT HL1087-6 (V9N513))	AY,AZ	8
230	113T3106-1		.SUPPORT-EXT FAIRING	A-AJ, AL,A N-AW, AY-BA BD,BE	4
230L	BACB30NM4K10		.BOLT	A-AJ, AL,A N-AW, AY-BA BD,BE	8
230R	BACW10BN4SP		.WASHER	A-AJ, AL,A N-AW, AY-BA BD,BE	4
231	BRH10A4		.NUT- (V52828) (SPEC BACN10JC4) (OPT T6S428J (V11815)) (OPT 96-048 (V80539)) (OPT VN303A048 (V92215)) (OPT RMLH9075-4W (V72962)) (OPT NS202101-048 (V80539)) (OPT H10-4BAC (V15653))	A-AJ, AL, AN-AW BD,BE	4
R -231A	PLH54CD		.NUT- (V62554) (SPEC BACN10YR4CD) (OPT H52732-4CD (V15653)) (OPT ITEM 231B)	AY-BA	4

57-53-51

ILLUSTRATED PARTS LIST

01.1 Page 1046I

Nov 01/05

FIG. & ITEM	PART NO.	AIRLINE PART NUMBER	NOMENCLATURE 1234567	EFF CODE	QTY PER ASSY
R 01- -231B	BRH10C4D		.NUT- (V52828) (SPEC BACN10JC4CD) (OPT T6C428JCD (V11815)) (OPT NS202486-048 (V80539)) (OPT 102LH9075-4W (V72962)) (OPT H51650-4BAC (V15653)) (OPT ITEM 231A)	AY-BA	4
231L	113T3106-3		.SUPPORT-EXT FAIRING	A-AJ, AL,A N-AW, AY-BA BD,BE	2
-232	113T3112-1		.EDGE INSTL-LEADING	A,B,E ,G,L, N,Q,S	1
-232A	113T3112-5		DELETED		
-232B	113T3112-7		.EDGE INSTL-LEADING (FOR DETAILS SEE FIG.3)	J,U, W,Y, AE, AG,BD	1
-232C	113T3112-9		.EDGE INSTL-LEADING (VARIABLE) (FOR DETAILS SEE FIG.3)	AA	1
-232D	113T3112-11		.EDGE INSTL-LEADING (VARIABLE) (FOR DETAILS SEE FIG.3)	AC	1
-232E	113T3112-13G		.EDGE INSTL-LEADING (FOR DETAILS SEE FIG.3)	AJ,AN ,AQ,A S,AW, AY	1
-232F	113T3112-13J		.EDGE INSTL-LEADING (FOR DETAILS SEE FIG.3)	AT	1

57-53-51

ILLUSTRATED PARTS LIST

01.1 Page 1046J

Nov 01/05


BOEING
 COMPONENT
 MAINTENANCE MANUAL

FIG. & ITEM	PART NO.	AIRLINE PART NUMBER	NOMENCLATURE 1234567	EFF CODE	QTY PER ASSY
01- -235	113T3112-2		.EDGE INSTL-LEADING	C,D,F ,H,M, P,R,T	1
-235A	113T3112-6		DELETED		
-235B	113T3112-8		.EDGE INSTL-LEADING (FOR DETAILS SEE FIG. 3)	K,V,X X,Z, AF, AH,BE	1
-235C	113T3112-10		.EDGE INSTL-LEADING (VARIABLE) (FOR DETAILS SEE FIG. 3)	AB	1
-235D	113T3112-12		.EDGE INSTL-LEADING (VARIABLE) (FOR DETAILS SEE FIG. 3)	AD	1
-235E	113T3112-14G		.EDGE INSTL-LEADING (FOR DETAILS SEE FIG.3)	AL,AP ,AR,A U,AZ, BA	1
-235F	113T3112-14J		.EDGE INSTL-LEADING (FOR DETAILS SEE FIG.3)	AV	1
-236	113T3112-5001		..EDGE INSTL- (FOR DETAILS SEE FIG. 3)	A,B,E ,G,L, N,Q,S	1
-236A	113T3112-5003		DELETED		
-237	113T3112-5002		..EDGE INSTL- (FOR DETAILS SEE FIG. 3)	C,D,F ,H,M, P,R,T	1

57-53-51

ILLUSTRATED PARTS LIST

01.1 Page 1046K

Nov 01/05

FIG. & ITEM	PART NO.	AIRLINE PART NUMBER	NOMENCLATURE	EFF CODE	QTY PER ASSY
01- -237A 238 239	113T3112-5004 BACR15BA3AD HL1012AZ10-14		1234567 DELETED DELETED .BOLT- (VOPTK6) (SPEC BACB30NX10K14) (OPT HL12VAZ10-14 (V73197)) (OPT HL12VAZ10-14 (V92215)) (OPT HL12VAZ10-14 (V97928)) (OPT L802-10K14 (V06725)) (OPT HL12VAZ10-14 (V56878)) (OPT HL1012AZ10-14 (V06725)) (OPT HL1012AZ10-14 (V06950)) (OPT HL1012AZ10-14 (V17446)) (OPT HL1012AZ10-14 (V56878)) (OPT HL1012AZ10-14 (V60516)) (OPT HL1012AZ10-14 (V73197)) (OPT HL1012AZ10-14 (V97928))	A-AJ, AL,A N-AW, AY-BA BD,BE	4

57-53-51

 ILLUSTRATED PARTS LIST
 01.1 Page 1046L
 Nov 01/05

BOEING
 COMPONENT
 MAINTENANCE MANUAL

FIG. & ITEM	PART NO.	AIRLINE PART NUMBER	NOMENCLATURE	EFF CODE	QTY PER ASSY
01-240	HL1012AZ10-11		1234567 .BOLT- (VOPTK6) (SPEC BACB30NX10K11) (OPT HL12VAZ10-11 (V73197)) (OPT HL12VAZ10-11 (V92215)) (OPT HL12VAZ10-11 (V97928)) (OPT L802-10K11 (V06725)) (OPT HL1012AZ10-11 (V06725)) (OPT HL1012AZ10-11 (V06950)) (OPT HL1012AZ10-11 (V17446)) (OPT HL1012AZ10-11 (V56878)) (OPT HL1012AZ10-11 (V60516)) (OPT HL1012AZ10-11 (V73197)) (OPT HL1012AZ10-11 (V97928)) (OPT HL12VAZ10-11 (V56878))	A-AJ, AL,A N-AW, AY-BA BD,BE	6
241	BRFM22A5-3		DELETED		

57-53-51

ILLUSTRATED PARTS LIST
 01.1 Page 1046M
 Nov 01/05

FIG. & ITEM	PART NO.	AIRLINE PART NUMBER	NOMENCLATURE	EFF CODE	QTY PER ASSY
01-242	HL1012AZ10-8		1234567 .BOLT- (VOPTK6) (SPEC BACB30NX10K8) (OPT HL12VAZ10-8 (V73197)) (OPT HL12VAZ10-8 (V92215)) (OPT HL12VAZ10-8 (V97928)) (OPT L802-10K8 (V06725)) (OPT HL12VAZ10-8 (V56878)) (OPT HL1012AZ10-8 (V06725)) (OPT HL1012AZ10-8 (V06950)) (OPT HL1012AZ10-8 (V17446)) (OPT HL1012AZ10-8 (V56878)) (OPT HL1012AZ10-8 (V60516)) (OPT HL1012AZ10-8 (V73197)) (OPT HL1012AZ10-8 (V97928))	A-AJ, AL,A N-AW, AY-BA BD,BE	4
244	BRFM22A4-3		DELETED		

57-53-51

 ILLUSTRATED PARTS LIST
 01.1 Page 1046N
 Nov 01/05


BOEING
 COMPONENT
 MAINTENANCE MANUAL

FIG. & ITEM	PART NO.	AIRLINE PART NUMBER	NOMENCLATURE 1234567	EFF CODE	QTY PER ASSY
01-245	HL1012AZ10-13		.BOLT- (VOPTK6) (SPEC BACB30NX10K13) (OPT HL12VAZ10-13 (V73197)) (OPT HL12VAZ10-13 (V92215)) (OPT HL12VAZ10-13 (V97928)) (OPT L802-10K13 (V06725)) (OPT HL12VAZ10-13 (V56878)) (OPT HL1012AZ10-13 (V06725)) (OPT HL1012AZ10-13 (V06950)) (OPT HL1012AZ10-13 (V17446)) (OPT HL1012AZ10-13 (V56878)) (OPT HL1012AZ10-13 (V60516)) (OPT HL1012AZ10-13 (V73197)) (OPT HL1012AZ10-13 (V97928))	A-AJ, AL,A N-AW, AY-BA BD,BE	2
-247	113T3111-9		DELETED		

57-53-51

ILLUSTRATED PARTS LIST

01.1 Page 10460

Nov 01/05

FIG. & ITEM	PART NO.	AIRLINE PART NUMBER	NOMENCLATURE	EFF CODE	QTY PER ASSY
01-248	HL1012AZ10-12		1234567 .BOLT- (VOPTK6) (SPEC BACB30NX10K12) (OPT HL12VAZ10-12 (V73197)) (OPT HL12VAZ10-12 (V92215)) (OPT HL12VAZ10-12 (V97928)) (OPT L802-10K12 (V06725)) (OPT HL12VAZ10-12 (V56878)) (OPT HL1012AZ10-12 (V06725)) (OPT HL1012AZ10-12 (V06950)) (OPT HL1012AZ10-12 (V17446)) (OPT HL1012AZ10-12 (V56878)) (OPT HL1012AZ10-12 (V60516)) (OPT HL1012AZ10-12 (V73197)) (OPT HL1012AZ10-12 (V97928))	A-AJ, AL,A N-AW, AY-BA BD,BE	8
-250	113T3111-10		DELETED		

57-53-51

 ILLUSTRATED PARTS LIST
 01.1 Page 1046P
 Nov 01/05


BOEING
 COMPONENT
 MAINTENANCE MANUAL

FIG. & ITEM	PART NO.	AIRLINE PART NUMBER	NOMENCLATURE 1234567	EFF CODE	QTY PER ASSY
01-251	HL1012AZ10-15		.BOLT- (VOPTK6) (SPEC BACB30NX10K15) (OPT HL12VAZ10-15 (V73197)) (OPT HL12VAZ10-15 (V92215)) (OPT HL12VAZ10-15 (V97928)) (OPT L802-10K15 (V06725)) (OPT HL12VAZ10-15 (V56878)) (OPT HL1012AZ10-15 (V06725)) (OPT HL1012AZ10-15 (V06950)) (OPT HL1012AZ10-15 (V17446)) (OPT HL1012AZ10-15 (V56878)) (OPT HL1012AZ10-15 (V60516)) (OPT HL1012AZ10-15 (V73197)) (OPT HL1012AZ10-15 (V97928))	A-AJ, AL,A N-AW, AY-BA BD,BE	2
253	BACR15BA3AD		DELETED		

57-53-51

ILLUSTRATED PARTS LIST

01.1 Page 1046Q

Nov 01/05

FIG. & ITEM	PART NO.	AIRLINE PART NUMBER	NOMENCLATURE 1234567	EFF CODE	QTY PER ASSY
01-254	HL1012AZ10-9		.BOLT- (VOPTK6) (SPEC BACB30NX10K9) (OPT HL12VAZ10-9 (V73197)) (OPT HL12VAZ10-9 (V92215)) (OPT HL12VAZ10-9 (V97928)) (OPT L802-10K9 (V06725)) (OPT HL12VAZ10-9 (V56878)) (OPT HL1012AZ10-9 (V06725)) (OPT HL1012AZ10-9 (V06950)) (OPT HL1012AZ10-9 (V17446)) (OPT HL1012AZ10-9 (V56878)) (OPT HL1012AZ10-9 (V60516)) (OPT HL1012AZ10-9 (V73197)) (OPT HL1012AZ10-9 (V97928))	A-AJ, AL,A N-AW, AY-BA BD,BE	2
256 257	BRFM22A3-3 HL1187-10		DELETED .COLLAR- (V5M902) (SPEC BACC30X10) (OPT HL87-10 (V92215)) (OPT HL87-10 (V73197)) (OPT HL1187-10 (V56878)) (OPT HL1187-10 (V92215)) (OPT HL87-10 (V56878)) (OPT HL1187-10 (V73197))	A-AJ, AL,A N-AW, BA, BD,BE	28

57-53-51

 ILLUSTRATED PARTS LIST
 01.1 Page 1046R
 Nov 01/05


BOEING
 COMPONENT
 MAINTENANCE MANUAL

FIG. & ITEM	PART NO.	AIRLINE PART NUMBER	NOMENCLATURE 1234567	EFF CODE	QTY PER ASSY
R 01- -257A	HL1087-10		.COLLAR- (V9N513) (SPEC BACC30BH10) (OPT HL1087-10 (V92215)) (OPT HL1087-10 (V73197)) (OPT HL1087-10 (V56878))	AY,AZ	28
259 260	BRFM22A4-3 113T3176-2		DELETED .STRAP	A-AJ, AL,A N-AW, AY-BA BD,BE	1
262 263	MF39453-4-7BAC 113T3176-1		DELETED .STRAP	A-AJ, AL,A N-AW, AY-BA BD,BE	1
-265 266	113T3111-5 113T3176-6		DELETED .STRAP	A-AJ, AL,A N-AW, AY-BA BD,BE	1
-268 269	113T3111-6 113T3176-5		DELETED .STRAP	A-AJ, AL,A N-AW, AY-BA BD,BE	1
270	BACB30NN3K8		.BOLT	A-AJ, AL,A N-AW, AY-BA BD,BE	9
271	BACR15BA3AD		DELETED		

57-53-51

ILLUSTRATED PARTS LIST

01.1 Page 1046S

Nov 01/05

FIG. & ITEM	PART NO.	AIRLINE PART NUMBER	NOMENCLATURE 1234567	EFF CODE	QTY PER ASSY
01-272	113T3142-1		.PANEL ASSY-UPR, FWD, INBD	A,B,E ,G,L	1
-272A	113T3142-33		.PANEL ASSY-UPR, FWD, INBD	J,N, Q,S, U,W, Y,AA, AC, AE, AJ, AN, AQ, AS, AT, AW, AY,BD	1
274	BRFM22A3-3		DELETED		
-275	113T3142-2		.PANEL ASSY-UPR, FWD, INBD	C,D,F ,H,M	1
-275A	113T3142-34		.PANEL ASSY-UPR, FWD, INBD	K,P,R ,T,V, X,Z,A B,AD, AF,AH AL,AP ,AR,A U,AV, AZ, BA,BE	1
277	BRFM22A4-3		DELETED		
278	113T3142-3		.PANEL ASSY-UPR, FWD, OUTBD	A,B,E ,G,J, L,N,Q ,S,U, W,Y AA,AC ,AE,A G,AJ, AN,AQ ,AS AT, AW, AY,BD	1

57-53-51

 ILLUSTRATED PARTS LIST
 01.1 Page 1046T
 Nov 01/05


BOEING
 COMPONENT
 MAINTENANCE MANUAL

FIG. & ITEM	PART NO.	AIRLINE PART NUMBER	NOMENCLATURE 1234567	EFF CODE	QTY PER ASSY
01- 280 -281	MF39453-4-7BAC 113T3142-4		DELETED .PANEL ASSY-UPR, FWD, OUTBD	C,D,F ,H,K, M,P,R ,T,V, X,Z AB,AD ,AF,A H,AL, AP,AR ,AU AV, AZ, BA,BE	1
-283 284	113T3111-3 113T3140-1		DELETED .PANEL ASSY-UPR, AFT, INBD	A,B,E ,G,L	1
-284A	113T3140-25		.PANEL ASSY-UPR, AFT, INBD	J,N,Q ,S,U, W,Y,A A,AC, AE AG,AJ ,AN,A Q,AS, AT, AW, AY,BD	1
-286 -287	113T3111-4 113T3140-2		DELETED .PANEL ASSY-UPR, AFT, INBD	C,D,F ,H,M	1

57-53-51

ILLUSTRATED PARTS LIST

01.1 Page 1046U

Nov 01/05

FIG. & ITEM	PART NO.	AIRLINE PART NUMBER	NOMENCLATURE 1234567	EFF CODE	QTY PER ASSY
01- -287A	113T3140-26		.PANEL ASSY-UPR, AFT, INBD	K,P,R ,T,V, X,Z,A B,AD, AF,AH AL,AP ,AR,A U,AV, AZ, BA,BE	1
289 290	BACR15BA3AD 113T3140-3		DELETED .PANEL ASSY-UPR, AFT, OUTBD	A,B,E ,G,J, L,N,Q ,S,U, W,Y AA,AC ,AE,A G,AJ, AN,AQ ,AS AT, AW, AY,BD	1
292 -293	BRFM22A3-3 113T3140-4		DELETED .PANEL ASSY-UPR, AFT, OUTBD	C,D,F ,H,K, M,P,R ,T,V, X,Z AB,AD ,AF,A H,AL, AP,AR ,AU AV, AZ, BA,BE	1
295 296	BRFM22A4-3 113T3143-1		DELETED .PANEL ASSY-LWR, FWD, INBD	A	1

57-53-51

 ILLUSTRATED PARTS LIST
 01.1 Page 1046V
 Nov 01/05

BOEING
 COMPONENT
 MAINTENANCE MANUAL

FIG. & ITEM	PART NO.	AIRLINE PART NUMBER	NOMENCLATURE 1234567	EFF CODE	QTY PER ASSY
01- -296A	113T3143-25		.PANEL ASSY-LWR, FWD, INBD	B,E,G ,J,L, N,Q,S ,U,W, Y,AA AC,AE ,AG,A J,AN, AQ, AS, AT, AW, AY,BD	1
298	MF39453-4-7BAC		DELETED		
-299	113T3143-2		.PANEL ASSY-LWR, FWD, INBD	C	1
-299A	113T3143-26		.PANEL ASSY-LWR, FWD, INBD	D,F,H ,K,M, P,R,T ,V,X, Z,AB AD,AF ,AH,A L,AP, AR, AU, AZ, AZ, BA,BE	1
-301	113T3111-1		DELETED		
302	113T3143-3		.PANEL ASSY-LWR, FWD, OUTBD	A,B,E ,G,J, L,N,Q ,S,U, W,Y AA,AC ,AE,A G,AJ, AN,AQ AS, AT, AW, AY,BD	1

57-53-51

ILLUSTRATED PARTS LIST
 01.1 Page 1046W
 Nov 01/05

FIG. & ITEM	PART NO.	AIRLINE PART NUMBER	NOMENCLATURE 1234567	EFF CODE	QTY PER ASSY
01- -304 -305	113T3111-2 113T3143-4		DELETED .PANEL ASSY-LWR, FWD, OUTBD	C,D,F H,K, M,P,R T,V, X,Z AB,AD AF,A H,AL, AP,AR AU, AV, AZ, BA,BE	1
307 308	BACR15BA3AD 113T3141-1		DELETED .PANEL ASSY-LWR, AFT, INBD	A,B,E G,L	1
-308A	113T3141-25		.PANEL ASSY-LWR, AFT, INBD	J,N,Q S,U, W,Y,A A,AC, AE AG,AJ AN, AQ, AS, AT, AW, AY,BD	1
310 -311	BRFM22A3-3 113T3141-2		DELETED .PANEL ASSY-LWR, AFT, INBD	C,D,F H,M	1
-311A	113T3141-26		.PANEL ASSY-LWR, AFT, INBD	K,P,R T,V, X,Z,A B,AD, AF,AH AL,AP AR, AU, AV, AZ, BA,BE	1

57-53-51

 ILLUSTRATED PARTS LIST
 01.1 Page 1046X
 Nov 01/05

BOEING
 COMPONENT
 MAINTENANCE MANUAL

FIG. & ITEM	PART NO.	AIRLINE PART NUMBER	NOMENCLATURE	EFF CODE	QTY PER ASSY
01- 313 314	BRFM22A4-3 113T3141-3		1234567 DELETED .PANEL ASSY-LWR, AFT, OUTBD	A,B,E ,G,J, L,N,Q ,S,U, W,Y AA,AC AE, AG, AJ, AN, AQ, AS, AT, AW, AY,BD	1
316 -317	MF39453-4-7BAC 113T3141-4		DELETED .PANEL ASSY-LWR, AFT, OUTBD	C,D, F,H, K,M, P,R, T,V, X,Z, AB, AD, AF, AH, AL, AP, AR, AU, AV, AZ, BA,BE	1
-319	113T3160-1		.WEDGE INSTL-TE (PRE SB 767-57-0013)	A,B, E,J, L,N, Q,S, U,W, Y,AA, AC,BD	1

57-53-51

ILLUSTRATED PARTS LIST
 01.1 Page 1046Y
 Nov 01/05

FIG. & ITEM	PART NO.	AIRLINE PART NUMBER	NOMENCLATURE 1234567	EFF CODE	QTY PER ASSY
01- -319A	113T3160-1		.WEDGE INSTL-TE (OPT ITEM 319D) (PRE SB 767-57-0013)	G	1
-319B	113T3182-1		.WEDGE-TE (REWORK) (POST SB 767-57-0013)	A,B,E ,J,L, ,N,Q,S ,U,W, ,Y,AA AC	1
-319C	113T3160-67		.WEDGE INSTL-TE (FOR DETAILS SEE FIG. 4)	AE,AG ,AJ,A ,N,AQ, ,AS,AT ,AW AY	1
-319D	113T3160-33		.WEDGE INSTL-TE (OPT ITEM 319A) (FOR DETAILS SEE FIG. 4)	G	1
-322	113T3160-2		.WEDGE INSTL-TE (PRE SB 767-57-0013)	C,D,F ,K,M, ,P,R,T ,V,X, ,Z,AB AD,BE	1
-322A	113T3160-2		.WEDGE INSTL-TE (OPT ITEM 322D) (PRE SB 767-57-0013)	H	1
-322B	113T3182-2		.WEDGE-TE (REWORK) (POST SB 767-57-0013)	C,D,F ,K,M, ,P,R,T ,V,X, ,Z,AB AD	1
-322C	113T3160-68		.WEDGE INSTL-TE (FOR DETAILS SEE FIG. 4)	AF,AH ,AL,A ,P,AR, ,AU,AV ,AZ BA	1

57-53-51

 ILLUSTRATED PARTS LIST
 01.1 Page 1046Z
 Nov 01/05



BOEING
COMPONENT
MAINTENANCE MANUAL

FIG. & ITEM	PART NO.	AIRLINE PART NUMBER	NOMENCLATURE 1234567	EFF CODE	QTY PER ASSY
01- -322D	113T3160-34		.WEDGE INSTL-TE (OPT ITEM 322A) (FOR DETAILS SEE FIG. 4)	H	1
-323	113T3160-5001		..WEDGE INSTL- (LIMITED) (USED ON ITEMS 319, 319A) (FOR DETAILS SEE FIG. 4)	A,B,E ,G,J, L,N,Q ,S,U, W,Y	1
-323A	113T3160-5003		..WEDGE INSTL- (LIMITED) (USED ON ITEMS 319, 319A) (FOR DETAILS SEE FIG. 4)	AA,AC A,B,E ,G,J, L,N,Q ,S,U, W,Y	1
-323B	113T3160-5005		..WEDGE INSTL- (LIMITED) (USED ON ITEMS 319, 319A) (PRE SB 767-57-0061) (FOR DETAILS SEE FIG. 4)	AA,AC A,B,E ,G,J, L,N,Q ,S,U, W,Y	1
-323C	113T3160-5007		..WEDGE INSTL- (LIMITED) (USED ON ITEMS 319, 319A) (PRE SB 767-57-0061) (FOR DETAILS SEE FIG. 4)	AA,AC A,B,E ,G,J, L,N,Q ,S,U, W,Y	1
-323D	113T3160-77		..WEDGE INSTL- (POST SB 767-57-0061) (FOR DETAILS SEE FIG. 4)	AA,AC A,B,E ,G,J, L,N,Q ,S,U, W,Y	1
R -323E	113T3160-71		..WEDGE INSTL- (POST SB 767-57-0061) (FOR DETAILS SEE FIG. 4)	AA,AC A,B,E ,G,J, L,N,Q ,S,U, W,Y	1
R -323F	113T3160-51		..WEDGE INSTL- (PRE SB 767-57-0061) (FOR DETAILS SEE FIG. 4)	AA,AC A,B,E ,G,J, L,N,Q ,S,U, W,Y AA,AC	1

57-53-51

ILLUSTRATED PARTS LIST
01.1 Page 1047
Nov 01/04

FIG. & ITEM	PART NO.	AIRLINE PART NUMBER	NOMENCLATURE 1234567	EFF CODE	QTY PER ASSY
R 01- -323G	113T3160-75		..WEDGE INSTL- (PRE SB 767-57-0061) (FOR DETAILS SEE FIG. 4)	A,B,E ,G,J, L,N,Q ,S,U, W,Y AA,AC	1
-324	113T3160-5002		..WEDGE INSTL- (LIMITED) (USED ON ITEMS 322, 322A) (FOR DETAILS SEE FIG. 4)	C,D,F ,H,K, M,P,R ,T,V, X,Z	1
-324A	113T3160-5004		..WEDGE INSTL- (LIMITED) (USED ON ITEMS 322, 322A) (FOR DETAILS SEE FIG. 4)	AB,AD C,D,F ,H,K, M,P,R ,T,V, X,Z	1
-324B	113T3160-5006		..WEDGE INSTL- (LIMITED) (USED ON ITEMS 322, 322A) (PRE SB 767-57-0061) (FOR DETAILS SEE FIG. 4)	AB,AD C,D,F ,H,K, M,P,R ,T,V, X,Z	1
-324C	113T3160-5008		..WEDGE INSTL- (LIMITED) (USED ON ITEMS 322, 322A) (PRE SB 767-57-0061) (FOR DETAILS SEE FIG. 4)	AB,AD C,D,F ,H,K, M,P,R ,T,V, X,Z AB,AD	1

57-53-51

ILLUSTRATED PARTS LIST

01.1 Page 1048

Nov 01/04


BOEING
 COMPONENT
 MAINTENANCE MANUAL

FIG. & ITEM	PART NO.	AIRLINE PART NUMBER	NOMENCLATURE 1234567	EFF CODE	QTY PER ASSY
01- -324D	113T3160-78		..WEDGE INSTL- (POST SB 767-57-0061) (FOR DETAILS SEE FIG. 4)	C,D,F ,H,K, M,P,R ,T,V, X,Z AB,AD	1
R -324E	113T3160-72		..WEDGE INSTL- (POST SB 767-57-0061) (FOR DETAILS SEE FIG. 4)	C,D,F ,H,K, M,P,R ,T,V, X,Z AB,AD	1
R -324F	113T3160-52		..WEDGE INSTL- (POST SB 767-57-0061) (FOR DETAILS SEE FIG. 4)	C,D,F ,H,K, M,P,R ,T,V, X,Z AB,AD	1
R -324G	113T3160-76		..WEDGE INSTL- (POST SB 767-57-0061) (FOR DETAILS SEE FIG. 4)	C,D,F ,H,K, M,P,R ,T,V, X,Z AB,AD	1
325	BACR15CE6KE		DELETED		
328	NS103191-02-5		DELETED		
331	BRFM22A3-3		DELETED		
334	BRFM22A5-3		DELETED		
337	BACN10JQ45		DELETED		

57-53-51

 ILLUSTRATED PARTS LIST
 01.1 Page 1048A
 Nov 01/04

FIG. & ITEM	PART NO.	AIRLINE PART NUMBER	NOMENCLATURE 1234567	EFF CODE	QTY PER ASSY
01-					
-340	113T3160-3		DELETED		
-341	113T3160-23		DELETED		
-341A	113T3160-35		DELETED		
-341B	113T3160-65		DELETED		
-343	113T3160-4		DELETED		
-345	113T3160-24		DELETED		
-345A	113T3160-36		DELETED		
-345B	113T3160-66		DELETED		
346	NAS1836A4N13		DELETED		
-349	113T3122-1		. SPAR INSTL-FRONT	A,B,E ,G,L	1
-349A	113T3122-143		. SPAR INSTL-FRONT	J,N,Q ,S,U, W,Y,A A,AC, AE,AG AJ,BD	1
-349B	113T3122-147		DELETED		
-349C	113T3122-149		. SPAR INSTL-FRONT	AN,AQ ,AS,A T,AW, AY	1
-352	113T3122-2		. SPAR INSTL-FRONT	C,D,F ,H,M	1
-352A	113T3122-144		. SPAR INSTL-FRONT	K,P,R ,T,V, X,Z,A B,AD, AF,AH AL,BE	1

57-53-51

 ILLUSTRATED PARTS LIST
 01.1 Page 1048B
 Nov 01/05

BOEING
 COMPONENT
 MAINTENANCE MANUAL

FIG. & ITEM	PART NO.	AIRLINE PART NUMBER	NOMENCLATURE 1234567	EFF CODE	QTY PER ASSY
01- -352B -352C	113T3122-148 113T3122-150		DELETED .SPAR INSTL-FRONT	AP,AR ,AU,A V,AZ, BA	1
355	BACR15BA3AD		..RIVET- (SIZE DETERMINE ON INST)	A-AJ, AL,A N-AW, AY-BA	AR
358	MS20427M		..RIVET- (SIZE DETERMINE ON INST)	A-AJ, AL,A N-AW, AY-BA	288
361	NS103191-02-6		..NUTPLATE- (V80539) (SPEC BACN10KE3B6) (OPT F51750-3-6 (V15653)) (OPT RMF9213-6-3 (V72962)) (OPT BRFR220A3-6 (V52828))	A-AJ, AL,A N-AW, AY-BA	455
364	NS103194-02-6		..NUTPLATE- (V80539) (SPEC BACN10KE3E6) (OPT F51752-3-6 (V15653)) (OPT RMF9216-6-3 (V72962)) (OPT BRFR120A3-6 (V52828))	A-AJ, AL,A N-AW, AY-BA	19

57-53-51

ILLUSTRATED PARTS LIST
 01.1 Page 1048C
 Nov 01/04

FIG. & ITEM	PART NO.	AIRLINE PART NUMBER	NOMENCLATURE 1234567	EFF CODE	QTY PER ASSY
01-367	BACN10JQ45		..NUTPLATE	A-F, L, M	4
368	BACN10JQ45		..NUTPLATE	J, K, N-AJ, AL, A, N-AW, AY-BA	2
369	MF19058-5-5BAC		..NUTPLATE- (V15653) (SPEC BACN10YF55)	J, K, N-AJ, AL, A, N-AW, AY-BA	2
370	BACN10JQ36		..NUTPLATE	A-AJ, AL, A, N-AW, AY-BA	6
373	BACN10JQ34		..NUTPLATE	BD, BE, A-AJ, AL, A, N-AW, AY-BA	6
376	NS103191-02-4		..NUTPLATE- (V80539) (SPEC BACN10KE3B4) (OPT F51750-3-4 (V15653)) (OPT RMF9213-4-3 (V72962)) (OPT BRFR220A3-4 (V52828))	A-AJ, AL, A, N-AW, AY-BA	285

57-53-51

 ILLUSTRATED PARTS LIST
 01.1 Page 1048D
 Nov 01/05


BOEING
 COMPONENT
 MAINTENANCE MANUAL

FIG. & ITEM	PART NO.	AIRLINE PART NUMBER	NOMENCLATURE 1234567	EFF CODE	QTY PER ASSY
01-379	NS103194SE02-6		..NUTPLATE- (V80539) (SPEC BACN10KE3E6CM) (OPT 104F9216-6-3 (V72962)) (OPT F51751-3-6DL (V15653)) (OPT BRFR120C3-6M (V52828))	A-AJ, AL,A N-AW, AY-BA	13
382	BACN10JQ32		..NUTPLATE	A-AJ, AL,A N-AW, AY-BA	3
385	NS103191SE02-6		..NUTPLATE- (V80539) (SPEC BACN10KE3B6CM) (OPT F51747-3-6DL (V15653)) (OPT BRFR220C3-6M (V52828)) (OPT 104F9213-6-3 (V72962))	A-AJ, AL,A N-AW, AY-BA	124
388	NS103191-02-3		..NUTPLATE- (V80539) (SPEC BACN10KE3B3) (OPT F51750-3-3 (V15653)) (OPT RMF9213-3-3 (V72962)) (OPT BRFR220A3-3 (V52828))	A-AJ, AL,A N-AW, AY-BA	43
391	NS103191-02-5		..NUTPLATE- (V80539) (SPEC BACN10KE3B5) (OPT F51750-3-5 (V15653)) (OPT RMF9213-5-3 (V72962)) (OPT BRFR220A3-5 (V52828))	A-AJ, AL,A N-AW, AY-BA	14

57-53-51

ILLUSTRATED PARTS LIST

01.1 Page 1048E

Nov 01/04

FIG. & ITEM	PART NO.	AIRLINE PART NUMBER	NOMENCLATURE 1234567	EFF CODE	QTY PER ASSY
01-394	NS103194-02-3		..NUTPLATE- (V80539) (SPEC BACN10KE3E3) (OPT F51752-3-3 (V15653)) (OPT RMF9216-3-3 (V72962)) (OPT BRFR120A3-3 (V52828))	A-AJ, AL,A N-AW, AY-BA	4
397	BACN10JQ35		..NUTPLATE	A-AJ, AL,A N-AW, AY-BA	3
400	BACN10JQ42		..NUTPLATE	A-AJ, AL,A N-AW, AY-BA	4
403	BACN10JQ36CM		..NUTPLATE	A-AJ, AL,A N-AW, AY-BA	3
-406	113T3120-1		.SPAR INSTL-MID	A,B,E ,G,J, L,N,Q ,S,U, W,Y AA,AC ,AE,A G,AJ, AN,AQ ,AS AT, AW, AY,BD	1

57-53-51

ILLUSTRATED PARTS LIST

01.1 Page 1048F

Nov 01/05

BOEING
 COMPONENT
 MAINTENANCE MANUAL

FIG. & ITEM	PART NO.	AIRLINE PART NUMBER	NOMENCLATURE 1234567	EFF CODE	QTY PER ASSY
01-409	113T3120-2		.SPAR INSTL-MID	C,D,F H,K, M,P,R T,V, X,Z AB,AD AF,A H,AL, AP,AR AU AV, AZ, BA,BE	1
410	BACB30NN3K8		..BOLT	A-AJ, AL,A N-AW, AY-BA	671
411	BACB30NN4K11		..BOLT	A-AJ, AL,A N-AW, AY-BA	4
412	BACR15BA3AD		..RIVET- (SIZE DETERMINE ON INST)	A-AJ, AL,A N-AW, AY-BA	AR
413	NS103191-02-4		..NUTPLATE- (V80539) (SPEC BACN10KE3B4) (OPT RMF9213-4-3 (V72962)) (OPT F51750-3-4 (V15653)) (OPT BRFR220A3-4 (V52828))	A-AJ, AL,A N-AW, AY-BA	497

57-53-51

ILLUSTRATED PARTS LIST
 01.1 Page 1048G
 Nov 01/05

FIG. & ITEM	PART NO.	AIRLINE PART NUMBER	NOMENCLATURE 1234567	EFF CODE	QTY PER ASSY
01-414	NS103191-02-2		..NUTPLATE- (V80539) (SPEC BACN10KE3B2) (OPT RMF9213-2-3 (V72962)) (OPT F51750-3-2 (V15653)) (OPT BRFR220A3-2 (V52825))	A-AJ, AL,A N-AW, AY-BA	146
415	NS103191-02-4		DELETED		
416	NS103194-02-2		..NUTPLATE- (V80539) (SPEC BACN10KE3E2) (OPT RMF9216-2-3 (V72962)) (OPT F51752-3-2 (V15653)) (OPT BRFR120A3-2 (V52828))	A-AJ, AL,A N-AW, AY-BA	4
417	BACN10JQ42		..NUTPLATE	A-AJ, AL,A N-AW, AY-BA	4
418	NS103191-02-2		DELETED		
420	HL11VAZ6-7		..BOLT- (V60516) (SPEC BACB30NW6K7) (OPT B30NW6K7 (V97928)) (OPT HL11VAZ6-7 (V73197)) (OPT HL11VAZ6-7 (V92215)) (OPT HL11VAZ6-7 (V97928)) (OPT L803-6K7 (V06725)) (OPT HL11VAZ6-7 (V0PTK6)) (OPT HL11VAZ6-7 (V56878))	A-AJ, AL,A N-AW, AY-BA	134

57-53-51

ILLUSTRATED PARTS LIST

01.1 Page 1048H

Nov 01/04


BOEING
 COMPONENT
 MAINTENANCE MANUAL

FIG. & ITEM	PART NO.	AIRLINE PART NUMBER	NOMENCLATURE 1234567	EFF CODE	QTY PER ASSY
01- 421 422	NS103194-02-2 HL11VAZ6-6		DELETED ..BOLT- (V60516) (SPEC BACB30NW6K6) (OPT B30NW6K6 (V97928)) (OPT HL11VAZ6-6 (V73197)) (OPT HL11VAZ6-6 (V92215)) (OPT HL11VAZ6-6 (V97928)) (OPT L803-6K6 (V06725)) (OPT HL11VAZ6-6 (V0PTK6)) (OPT HL11VAZ6-6 (V56878))	A-AJ, AL,A N-AW, AY-BA	75
423	HL11VAZ6-5		..BOLT- (V60516) (SPEC BACB30NW6K5) (OPT B30NW6K5 (V97928)) (OPT HL11VAZ6-5 (V73197)) (OPT HL11VAZ6-5 (V92215)) (OPT HL11VAZ6-5 (V97928)) (OPT L803-6K5 (V06725)) (OPT HL11VAZ6-5 (V0PTK6)) (OPT HL11VAZ6-5 (V56878))	A-AJ, AL,A N-AW, AY-BA	66

57-53-51

ILLUSTRATED PARTS LIST

01.1 Page 1048I

Nov 01/04

FIG. & ITEM	PART NO.	AIRLINE PART NUMBER	NOMENCLATURE 1234567	EFF CODE	QTY PER ASSY
01- 424 425	BACN10JQ42 HL11VAZ6-9		DELETED ..BOLT- (V60516) (SPEC BACB30NW6K9) (OPT B30NW6K9 (V97928)) (OPT HL11VAZ6-9 (V73197)) (OPT HL11VAZ6-9 (V92215)) (OPT HL11VAZ6-9 (V97928)) (OPT L803-6K9 (V06725)) (OPT HL11VAZ6-9 (V0PTK6)) (OPT HL11VAZ6-9 (V56878))	A-AJ, AL,A N-AW, AY-BA	6
426	HL11VAZ6-8		..BOLT- (V60516) (SPEC BACB30NW6K8) (OPT B30NW6K8 (V97928)) (OPT HL11VAZ6-8 (V73197)) (OPT HL11VAZ6-8 (V92215)) (OPT HL11VAZ6-8 (V97928)) (OPT L803-6K8 (V06725)) (OPT HL11VAZ6-8 (V0PTK6)) (OPT HL11VAZ6-8 (V56878))	A-AJ, AL,A N-AW, AY-BA	2

57-53-51

ILLUSTRATED PARTS LIST

01.1 Page 1048J

Nov 01/04


BOEING
 COMPONENT
 MAINTENANCE MANUAL

FIG. & ITEM	PART NO.	AIRLINE PART NUMBER	NOMENCLATURE 1234567	EFF CODE	QTY PER ASSY
01-427	BACN10JQ34		..NUTPLATE	A-AJ, AL,A N-AW, AY-BA	24
428	HL79-6		..COLLAR- (V5M902) (SPEC BACC30M6) (OPT HL79-6 (V73197)) (OPT HL79-6 (V92215)) (OPT 66014-6 (V56878)) (OPT HL79-6 (V56878))	A-AJ, AL,A N-AW, AY-BA	283
429	BACR15CE6KE		..RIVET- (SIZE DETERMINE ON INST)	A-AJ, AL,A N-AW, AY-BA	438
-430	113T3167-1		.RIB INSTL-OUTBD END	A,B,E ,G,J, L,N,Q ,S,U, W,Y AA,AC ,AE,A G,AJ, AN,AQ AQ, AY,BD	1

57-53-51

ILLUSTRATED PARTS LIST

01.1 Page 1048K

Nov 01/05

FIG. & ITEM	PART NO.	AIRLINE PART NUMBER	NOMENCLATURE 1234567	EFF CODE	QTY PER ASSY
01- -430A	113T3167-7		.RIB INSTL-OUTBD END	AS,AT ,AW	1
-433	113T3167-2		.RIB INSTL-OUTBD END	C,D,F ,H,K, M,P,R ,T,V, X,Z AB,AD ,AF,A H,AL, AP, AR, AZ,BE	1
-433A	113T3167-8		.RIB INSTL-OUTBD END	AU,AV ,BA	1
435	BACB30NN3K8		..BOLT	A-AJ, AL,A N-AW, AY-BA	39
436	MS20427M3		DELETED		
437	BACB30NN4K2		..BOLT	A-AJ, AL,A N-AW, AY-BA	2
438	BACB30LR4-11		..BOLT	A-AJ, AL,A N-AW, AY-BA	1
439	BACR15BA3AD		..RIVET- (SIZE DETERMINE ON INST)	A-AJ, AL,A N-AW, AY-BA	66
439M	MS20427M3		..RIVET- (SIZE DETERMINE ON INST)	A-AJ, AL,A N-AW, AY-BA	6
440	MF19058-3-2BAC		..NUTPLATE- (V15653) (SPEC BACN10YF32)	A-AJ, AL,A N-AW, AY-BA	6

57-53-51

 ILLUSTRATED PARTS LIST
 01.1 Page 1048L
 Nov 01/05


BOEING
 COMPONENT
 MAINTENANCE MANUAL

FIG. & ITEM	PART NO.	AIRLINE PART NUMBER	NOMENCLATURE 1234567	EFF CODE	QTY PER ASSY
01-441	NS103194-02-2		..NUTPLATE- (V80539) (SPEC BACN10KE3E2) (OPT RMF9216-2-3 (V72962)) (OPT F51752-3-2 (V15653)) (OPT BRFR120A3-2 (V52828))	A-AJ, AL,A N-AW, AY-BA	2
442	BACN10JQ32		DELETED		
443	MF19058-3-5BAC		..NUTPLATE- (V15653) (SPEC BACN10YF35)	A-AJ, AL,A N-AW, AY-BA	6
444	MF19058-3-3BAC		..NUTPLATE- (V15653) (SPEC BACN10YF33)	A-AJ, AL,A N-AW, AY-BA	2
445	NS103194-02-2		DELETED		
445A	NS103194-02-2		DELETED		
446	NS103191-02-5		..NUTPLATE- (V80539) (SPEC BACN10KE3B5) (OPT RMF9213-5-3 (V72962)) (OPT F51750-3-5 (V15653)) (OPT BRFR220A3-5 (V52828))	A-AJ, AL,A N-AW, AY-BA	11

57-53-51

ILLUSTRATED PARTS LIST

01.1 Page 1048M

Nov 01/04

FIG. & ITEM	PART NO.	AIRLINE PART NUMBER	NOMENCLATURE 1234567	EFF CODE	QTY PER ASSY
01-447	BRFM20A4		..NUTPLATE- (V52828) (SPEC BACN10JN4) (OPT MF53049-4 (V15653)) (OPT MF1000-4BAC (V15653)) (OPT NS103218-048 (V80539)) (OPT RMF9201M4 (V72962)) (OPT VN252A048 (V92215)) (OPT T8124S4S (V11815))	A-AJ, AL,A N-AW, AY-BA	2
448 449	BRFM22A5-3 NS103191-02-6		DELETED ..NUTPLATE- (V80539) (SPEC BACN10KE3B6) (OPT RMF9213-6-3 (V72962)) (OPT F51750-3-6 (V15653)) (OPT BRFR220A3-6 (V52828))	A-AJ, AL,A N-AW, AY-BA	2
450	NS103194-02-5		..NUTPLATE- (V80539) (SPEC BACN10KE3E5) (OPT RMF9216-5-3 (V72962)) (OPT F51752-3-5 (V15653)) (OPT BRFR120A3-5 (V52828))	A-AJ, AL,A N-AW, AY-BA	2

57-53-51

 ILLUSTRATED PARTS LIST
 01.1 Page 1048N
 Nov 01/04

BOEING
 COMPONENT
 MAINTENANCE MANUAL

FIG. & ITEM	PART NO.	AIRLINE PART NUMBER	NOMENCLATURE 1234567	EFF CODE	QTY PER ASSY
01-451	BRFM22A3-3		DELETED		
452	BACN10JQ48		..NUTPLATE	A-AJ, AL,A N-AW, AY-BA	1
453	WC331K6-8		..BOLT- (V60516) (SPEC BACB30YP6K8) (OPT ITEM 453A)	AS-AW ,BA	1
R -453A	HL11VAZ6-8		..BOLT- (V60516) (SPEC BACB30NW6K8) (OPT B30NW6K8 (V97928)) (OPT HL11VAZ6-8 (V73197)) (OPT HL11VAZ6-8 (V92215)) (OPT HL11VAZ6-8 (V97928)) (OPT L803-6K8 (V06725)) (OPT HL11VAZ6-8 (VOPTK6)) (OPT HL11VAZ6-8 (V56878)) (OPT ITEM 453)	AS-AW ,BA	1
R -453B	HL11VAZ6-8		..BOLT- (V60516) (SPEC BACB30NW6K8) (OPT B30NW6K8 (V97928)) (OPT HL11VAZ6-8 (V73197)) (OPT HL11VAZ6-8 (V92215)) (OPT HL11VAZ6-8 (V97928)) (OPT L803-6K8 (V06725)) (OPT HL11VAZ6-8 (VOPTK6)) (OPT HL11VAZ6-8 (V56878))	A-AJ, AL,A N-AR, AY,AZ	1

57-53-51

ILLUSTRATED PARTS LIST
 01.1 Page 10480
 Nov 01/04

FIG. & ITEM	PART NO.	AIRLINE PART NUMBER	NOMENCLATURE 1234567	EFF CODE	QTY PER ASSY
01- 454 455 456	NS103191-02-5 T8124S4S WC331K6-7		DELETED DELETED ..BOLT- (V60516) (SPEC BACB30YP6K7) (OPT ITEM 456A)	AS-AW ,BA	1
R -456A	HL11VAZ6-7		..BOLT- (V60516) (SPEC BACB30NW6K7) (OPT B30NW6K7 (V97928)) (OPT HL11VAZ6-7 (V73197)) (OPT HL11VAZ6-7 (V92215)) (OPT HL11VAZ6-7 (V97928)) (OPT L803-6K7 (V06725)) (OPT HL11VAZ6-7 (VOPTK6)) (OPT HL11VAZ6-7 (V56878)) (OPT ITEM 456)	AS-AW ,BA	1
R -456B	HL11VAZ6-7		..BOLT- (V60516) (SPEC BACB30NW6K7) (OPT B30NW6K7 (V97928)) (OPT HL11VAZ6-7 (V73197)) (OPT HL11VAZ6-7 (V92215)) (OPT HL11VAZ6-7 (V97928)) (OPT L803-6K7 (V06725)) (OPT HL11VAZ6-7 (VOPTK6)) (OPT HL11VAZ6-7 (V56878))	A-AJ, AL,A N-AR, AY,AZ	1

57-53-51

 ILLUSTRATED PARTS LIST
 01.1 Page 1048P
 Nov 01/04

BOEING
 COMPONENT
 MAINTENANCE MANUAL

FIG. & ITEM	PART NO.	AIRLINE PART NUMBER	NOMENCLATURE 1234567	EFF CODE	QTY PER ASSY
01-457 458	NS103191-02-6 WC331K6-4		DELETED ..BOLT- (V60516) (SPEC BACB30YP6K4) (OPT ITEM 458A)	AS-AW ,BA	8
R -458A	HL11VAZ6-4		..BOLT- (V60516) (SPEC BACB30NW6K4) (OPT B30NW6K4 (V97928)) (OPT HL11VAZ6-4 (V73197)) (OPT HL11VAZ6-4 (V92215)) (OPT HL11VAZ6-4 (V97928)) (OPT L803-6K4 (V06725)) (OPT HL11VAZ6-4 (V0PTK6)) (OPT HL11VAZ6-4 (V56878)) (OPT ITEM 458)	AS-AW ,BA	8
R -458B	HL11VAZ6-4		..BOLT- (V60516) (SPEC BACB30NW6K4) (OPT B30NW6K4 (V97928)) (OPT HL11VAZ6-4 (V73197)) (OPT HL11VAZ6-4 (V92215)) (OPT HL11VAZ6-4 (V97928)) (OPT L803-6K4 (V06725)) (OPT HL11VAZ6-4 (V0PTK6)) (OPT HL11VAZ6-4 (V56878))	A-AJ, AL,A N-AR, AY,AZ	8

57-53-51

ILLUSTRATED PARTS LIST
 01.1 Page 1048Q
 Nov 01/04

FIG. & ITEM	PART NO.	AIRLINE PART NUMBER	NOMENCLATURE 1234567	EFF CODE	QTY PER ASSY
01-459	WC331K6-5		..BOLT- (V60516) (SPEC BACB30YP6K5) (OPT ITEM 459A)	AS-AW ,BA	2
R -459A	HL11VAZ6-5		..BOLT- (V60516) (SPEC BACB30NW6K5) (OPT B30NW6K5 (V97928)) (OPT HL11VAZ6-5 (V73197)) (OPT HL11VAZ6-5 (V92215)) (OPT HL11VAZ6-5 (V97928)) (OPT L803-6K5 (V06725)) (OPT HL11VAZ6-5 (VOPTK6)) (OPT HL11VAZ6-5 (V56878)) (OPT ITEM 459)	AS-AW ,BA	2
R -459B	HL11VAZ6-4		..BOLT- (V60516) (SPEC BACB30NW6K4) (OPT B30NW6K4 (V97928)) (OPT HL11VAZ6-4 (V73197)) (OPT HL11VAZ6-4 (V92215)) (OPT HL11VAZ6-4 (V97928)) (OPT L803-6K4 (V06725)) (OPT HL11VAZ6-4 (VOPTK6)) (OPT HL11VAZ6-4 (V56878))	A-AJ, AL,A N-AR, AY,AZ	8

57-53-51

 ILLUSTRATED PARTS LIST
 01.1 Page 1048R
 Nov 01/04

BOEING
 COMPONENT
 MAINTENANCE MANUAL

FIG. & ITEM	PART NO.	AIRLINE PART NUMBER	NOMENCLATURE 1234567	EFF CODE	QTY PER ASSY
01-460 461	NS103194-02-5 WC331K6-3		DELETED ..BOLT- (V60516) (SPEC BACB30YP6K3) (OPT ITEM 461A)	AS-AW ,BA	2
R -461A	HL11VAZ5-3		..BOLT- (V60516) (SPEC BACB30NW5K3) (OPT B30NW5K3 (V97928)) (OPT HL11VAZ5-3 (V73197)) (OPT HL11VAZ5-3 (V92215)) (OPT HL11VAZ5-3 (V97928)) (OPT L803-5K3 (V06725)) (OPT HL11VAZ5-3 (V0PTK6)) (OPT HL11VAZ5-3 (V56878)) (OPT ITEM 461)	AS-AW ,BA	2
R -461B	HL11VAZ5-3		..BOLT- (V60516) (SPEC BACB30NW5K3) (OPT B30NW5K3 (V97928)) (OPT HL11VAZ5-3 (V73197)) (OPT HL11VAZ5-3 (V92215)) (OPT HL11VAZ5-3 (V97928)) (OPT L803-5K3 (V06725)) (OPT HL11VAZ5-3 (V0PTK6)) (OPT HL11VAZ5-3 (V56878))	A-AJ, AL,A N-AR, AY,AZ	2

57-53-51

ILLUSTRATED PARTS LIST
 01.1 Page 1048S
 Nov 01/04

FIG. & ITEM	PART NO.	AIRLINE PART NUMBER	NOMENCLATURE 1234567	EFF CODE	QTY PER ASSY
01-462	HST10AG6-4		..BOLT- (V06725) (SPEC BACB30VT6K4) (OPT HST10AG6-4 (V73197)) (OPT HST10AG6-4 (V56878)) (OPT HST10AG6-4 (VOPTK6)) (OPT ITEM 462A)	AS-AW ,BA	2
R -462A	BACB30MY6K4		..BOLT- (OPT ITEM 462)	AS-AW ,BA	2
R -462B	BACB30MY6K4		..BOLT	A-AJ, AL,A N-AR, AY,AZ	2
463	BACN10JQ48		DELETED		
464	HST10AG6-3		..BOLT- (VOPTK6) (SPEC BACB30VT6K3) (OPT HST10AG6-3 (V06725)) (OPT HST10AG6-3 (V56878)) (OPT HST10AG6-3 (V73197)) (OPT ITEM 464A)	AS-AW ,BA	5
R -464A	BACB30MY6K3		..BOLT- (OPT ITEM 464)	AS-AW ,BA	5
R -464B	BACB30MY6K3		..BOLT	A-AJ, AL,A N-AR, AY,AZ	5

57-53-51

 ILLUSTRATED PARTS LIST
 01.1 Page 1048T
 Nov 01/04


BOEING
 COMPONENT
 MAINTENANCE MANUAL

FIG. & ITEM	PART NO.	AIRLINE PART NUMBER	NOMENCLATURE 1234567	EFF CODE	QTY PER ASSY
01-465	HST10AG6-6		..BOLT- (VOPTK6) (SPEC BACB30VT6K6) (OPT HST10AG6-6 (V06725)) (OPT HST10AG6-6 (V56878)) (OPT HST10AG6-6 (V73197)) (OPT ITEM 465A)	AS-AW ,BA	1
R -465A	L8006K6		..BOLT- (V06725) (SPEC BACB30MY6K6) (OPT ITEM 465)	AS-AW ,BA	1
R -465B	L8006K6		..BOLT- (V06725) (SPEC BACB30MY6K6)	A-AJ, AL,A N-AR, AY,AZ	1
466	113T3167-5		DELETED		
467	113T3167-6		DELETED		
468	HST79CY6		..COLLAR- (V73197) (SPEC BACC30BL6) (OPT HST79-6 (V92215)) (OPT HST79CY6 (V56878)) (OPT HST79CY6 (V5M902)) (OPT ITEM 468A)	AS-AW ,BA	22

57-53-51

 ILLUSTRATED PARTS LIST
 01.1 Page 1048U
 Nov 01/04

FIG. & ITEM	PART NO.	AIRLINE PART NUMBER	NOMENCLATURE 1234567	EFF CODE	QTY PER ASSY
R 01-468A	HL79-6		..COLLAR- (V5M902) (SPEC BACC30M6) (OPT HL79-6 (V73197)) (OPT HL79-6 (V92215)) (OPT 66014-6 (V56878)) (OPT HL79-6 (V56878)) (OPT ITEM 468)	AS-AW ,BA	22
R -468B	HL79-6		..COLLAR- (V5M902) (SPEC BACC30M6) (OPT HL79-6 (V73197)) (OPT HL79-6 (V92215)) (OPT 66014-6 (V56878)) (OPT HL79-6 (V56878))	A-AJ, AL,A N-AR, AY,AZ	22
469	BACR15CE6KE		..RIVET- (SIZE DETERMINE ON INST)	A-AJ, AL,A N-AW, AY-BA	2
470	113T3177-3		..CLIP ASSY	A-AJ, AL,A N-AW, AY-BA	1
471	113T3177-4		..CLIP ASSY	A-AJ, AL,A N-AW, AY-BA	1

57-53-51

 ILLUSTRATED PARTS LIST
 01.1 Page 1048V
 Nov 01/04


BOEING
 COMPONENT
 MAINTENANCE MANUAL

FIG. & ITEM	PART NO.	AIRLINE PART NUMBER	NOMENCLATURE 1234567	EFF CODE	QTY PER ASSY
01-					
472	HST10AG6-6		ATTACHING PARTS ..BOLT- (VOPTK6) (SPEC BACB30VT6K6) (OPT HST10AG6-6 (V06725)) (OPT HST10AG6-6 (V56878)) (OPT HST10AG6-6 (V73197)) (OPT ITEM 472A)	AS-AW ,BA	5
R -472A	L8006K6		..BOLT- (V06725) (SPEC BACB30MY6K6) (OPT ITEM 472)	AS-AW ,BA	5
R -472B	L8006K6		..BOLT- (V06725) (SPEC BACB30MY6K6)	A-AJ, AL,A N-AR, AY,AZ	5
472K	HST79CY6		..COLLAR- (V73197) (SPEC BACC30BL6) (OPT HST79-6 (V92215)) (OPT HST79CY6 (V56878)) (OPT HST79CY6 (V5M902)) (OPT ITEM 472L)	AS-AW ,BA	5
R -472L	HL79-6		..COLLAR- (V5M902) (SPEC BACC30M6) (OPT HL79-6 (V73197)) (OPT HL79-6 (V92215)) (OPT 66014-6 (V56878)) (OPT HL79-6 (V56878)) (OPT ITEM 472K)	AS-AW ,BA	5

57-53-51

 ILLUSTRATED PARTS LIST
 01.1 Page 1048W
 Nov 01/04

FIG. & ITEM	PART NO.	AIRLINE PART NUMBER	NOMENCLATURE 1234567	EFF CODE	QTY PER ASSY
R 01- -472M	HL79-6		..COLLAR- (V5M902) (SPEC BACC30M6) (OPT HL79-6 (V73197)) (OPT HL79-6 (V92215)) (OPT 66014-6 (V56878)) (OPT HL79-6 (V56878)) -----*	A-AJ, AL,A N-AR, AY,AZ	5
-473 474	113T3177-4 BACR15BA3AD		DELETED ...RIVET- (SIZE DETERMINE ON INST)	A-AJ, AL,A N-AW, AY-BA	8
475	BACN10JQ32		...NUTPLATE	A-AJ, AL,A N-AW, AY-BA	4
476 477	BACR15BA3AD 113T3177-7		DELETED ...CLIP- (USED ON ITEM 470)	A-AJ, AL,A N-AW, AY-BA	1
478	113T3177-8		...CLIP- (USED ON ITEM 471)	A-AJ, AL,A N-AW, AY-BA	1
479 480	BACN10JQ32 113T3175-19		DELETED ..BRACKET	A,B,E ,G,J, L,N,Q ,S,U, W,Y AA,AC ,AE,A G,AJ, AN,AQ ,AS AT,AW ,AY	1

57-53-51

 ILLUSTRATED PARTS LIST
 01.1 Page 1048X
 Nov 01/04


BOEING
 COMPONENT
 MAINTENANCE MANUAL

FIG. & ITEM	PART NO.	AIRLINE PART NUMBER	NOMENCLATURE 1234567	EFF CODE	QTY PER ASSY
01- -481	113T3175-20		..BRACKET	C,D,F ,H,K, M,P,R ,T,V, X,Z AB,AD ,AF,A H,AL, AP,AR ,AU AV,AZ ,BA	1
482	113T3158-7		..FITTING ASSY	A,B,E ,G,J, L,N,Q ,S,U, W,Y AA,AC ,AE,A G,AJ, AN,AQ ,AY	1
-482A	113T3158-13		..FITTING ASSY	AS,AT ,AW	1
-483	113T3158-8		..FITTING ASSY	C,D,F ,H,K, M,P,R ,T,V, X,Z AB,AD ,AF,A H,AL, AP,AR ,AZ BA	1
-483A	113T3158-14		..FITTING ASSY ATTACHING PARTS	AU,AV	1

57-53-51

ILLUSTRATED PARTS LIST

01.1 Page 1048Y

Nov 01/04

FIG. & ITEM	PART NO.	AIRLINE PART NUMBER	NOMENCLATURE 1234567	EFF CODE	QTY PER ASSY
01-484	BACB30LK3-4		..BOLT	A-AJ, AL,A N-AW, AY-BA	2
484K	BACB30LK3-6		..BOLT	A-AJ, AL,A N-AW, AY-BA	1
			-----*-----		
-485	113T3158-8		DELETED		
-485A	113T3158-14		DELETED		
			ATTACHING PARTS		
486	HST10AG6-6		..BOLT- (VOPTK6) (SPEC BACB30VT6K6) (OPT HST10AG6-6 (V06725)) (OPT HST10AG6-6 (V56878)) (OPT HST10AG6-6 (V73197)) (OPT ITEM 486A)	AS-AW ,BA	2
R -486A	L8006K6		..BOLT- (V06725) (SPEC BACB30MY6K6) (OPT ITEM 486)	AS-AW ,BA	2
R -486B	L8006K6		..BOLT- (V06725) (SPEC BACB30MY6K6)	A-AJ, AL,A N-AR, AY,AZ	2

57-53-51

 ILLUSTRATED PARTS LIST
 01.1 Page 1048Z
 Nov 01/04

BOEING
 COMPONENT
 MAINTENANCE MANUAL

FIG. & ITEM	PART NO.	AIRLINE PART NUMBER	NOMENCLATURE 1234567	EFF CODE	QTY PER ASSY
01-486K	HST10AG6-9		..BOLT- (VOPTK6) (SPEC BACB30VT6K9) (OPT HST10AG6-9 (V06725)) (OPT HST10AG6-9 (V56878)) (OPT HST10AG6-9 (V73197)) (OPT ITEM 486L)	AS-AW ,BA	1
R -486L	BACB30MY6K9		..BOLT- (OPT ITEM 486K)	AS-AW ,BA	1
R -486M	BACB30MY6K9		..BOLT	A-AJ, AL,A N-AR, AY,AZ	1
487	113T3167-5		..WASHER	A-AJ, AL,A N-AW, AY-BA	1
487K	113T3167-6		..WASHER	A-AJ, AL,A N-AW, AY-BA	2
487R	BACW10BP3AP		..WASHER	A-AJ, AL,A N-AW, AY-BA	1
			-----*-----		

57-53-51

ILLUSTRATED PARTS LIST
 01.1 Page 1049
 Nov 01/04

FIG. & ITEM	PART NO.	AIRLINE PART NUMBER	NOMENCLATURE 1234567	EFF CODE	QTY PER ASSY
01-488	BACB28AP08P050		DELETED		
489	H52732-3CD		ATTACHING PARTS ..NUT- (V15653) (SPEC BACN10YR3CD) (OPT PLH53CD (V62554))	A-AJ, AL,A N-AW, AY-BA	3
489K	HST79CY6		..COLLAR- (V73197) (SPEC BACC30BL6) (OPT HST79-6 (V92215)) (OPT HST79CY6 (V56878)) (OPT HST79CY6 (V5M902)) (OPT ITEM 489L)	AS-AW ,BA	3
R -489L	HL79-6		..COLLAR- (V5M902) (SPEC BACC30M6) (OPT HL79-6 (V73197)) (OPT HL79-6 (V92215)) (OPT 66014-6 (V56878)) (OPT HL79-6 (V56878)) (OPT ITEM 489K)	AS-AW ,BA	3

57-53-51

 ILLUSTRATED PARTS LIST
 01.1 Page 1050
 Nov 01/04

BOEING
 COMPONENT
 MAINTENANCE MANUAL

FIG. & ITEM	PART NO.	AIRLINE PART NUMBER	NOMENCLATURE 1234567	EFF CODE	QTY PER ASSY
R 01-489M	HL79-6		..COLLAR- (V5M902) (SPEC BACC30M6) (OPT HL79-6 (V73197)) (OPT HL79-6 (V92215)) (OPT 66014-6 (V56878)) (OPT HL79-6 (V56878)) -----*	A-AJ, AL,A N-AR, AY,AZ	3
490	BACB28AP08P050		...BUSHING	A-AJ, AL,A N-AW, AY-BA	1
491	113T2104-15		...BUSHING	A-AJ, AL,A N-AW, AY-BA	1
492	113T3158-9		...FITTING	A,B,E ,G,J, L,N,Q ,S,U, W,Y AA,AC ,AE,A G,AJ, AN,AQ ,AY	1

57-53-51

ILLUSTRATED PARTS LIST
 01.1 Page 1050A
 Nov 01/04

FIG. & ITEM	PART NO.	AIRLINE PART NUMBER	NOMENCLATURE 1234567	EFF CODE	QTY PER ASSY
01-					
-492A	113T3158-16		DELETED		
-492B	113T3158-15		...FITTING	AS,AT ,AW	1
-493	113T3158-10		...FITTING	C,D,F ,H,K, M,P,R ,T,V, X,Z AB,AD ,AF,A H,AL, AP,AR ,AZ BA	1
-493A	113T3158-16		...FITTING	AU,AV	1
-494	113T3166-1		DELETED		
494A	BACS40R010B034F		..SHIM	A-AJ, AL,A N-AW, AY-BA	2
494D	BACS40R010B013F		..SHIM	A-AJ, AL,A N-AW, AY-BA	1
494G	BACS40R012B013F		..SHIM	A-AJ, AL,A N-AW, AY-BA	1
494K	BACS40R009B013F		..SHIM	A-AJ, AL,A N-AW, AY-BA	1

57-53-51

 ILLUSTRATED PARTS LIST
 01.1 Page 1050B
 Nov 01/04


BOEING
 COMPONENT
 MAINTENANCE MANUAL

FIG. & ITEM	PART NO.	AIRLINE PART NUMBER	NOMENCLATURE 1234567	EFF CODE	QTY PER ASSY
01-494N	BACS40R009C013F		..SHIM	A-AJ, AL,A N-AW, AY-BA	1
494R	BACS40R009B011F		..SHIM	A-AJ, AL,A N-AW, AY-BA	2
494V	BACS40R011B035F		..SHIM	A-AJ, AL,A N-AW, AY-BA	2
495	BACS40R016B025F		..SHIM	A-AJ, AL,A N-AW, AY-BA	1
495D	BACS40R007B009F		..SHIM	A-AJ, AL,A N-AW, AY-BA	2
495G	BACS40R008B009F		..SHIM	A-AJ, AL,A N-AW, AY-BA	1
495K	BACS40R008B018F		..SHIM	A-AJ, AL,A N-AW, AY-BA	2
495N	BACS40R009B018F		..SHIM	A-AJ, AL,A N-AW, AY-BA	2
495R	BACS40R011B037F		..SHIM	A-AJ, AL,A N-AW, AY-BA	1
495V	BACS40R012C050F		..SHIM	A-AJ, AL,A N-AW, AY-BA	2

57-53-51

ILLUSTRATED PARTS LIST

01.1 Page 1050C

Nov 01/04

FIG. & ITEM	PART NO.	AIRLINE PART NUMBER	NOMENCLATURE 1234567	EFF CODE	QTY PER ASSY
01-					
-496	113T3166-1		.RIB INSTL-INBD END	A	1
-497	113T3166-2		.RIB INSTL-INBD END	C	1
-500	113T3166-3		.RIB INSTL-INBD END (FOR DETAILS SEE FIG. 2)	B,E, G,J, L,N, Q,S, U,W, Y,AA, AC, AE, AG,BD	1
-500A	113T3166-5		.RIB INSTL-INBD END (FOR DETAILS SEE FIG. 5)	AJ,AN ,AQ,A S,AT, AW,AY	1
-503	113T3166-4		.RIB INSTL-INBD END (FOR DETAILS SEE FIG. 2)	D,F, H,K, M,P, R,T, V,X, Z,AB, AD, AF, AH,BE	1
-503A	113T3166-6		.RIB INSTL-INBD END (FOR DETAILS SEE FIG. 5)	AL,AP ,AR,A U,AV, AZ,BA	1
504	BACB30NN3K8		..BOLT	A-AJ, AL,A N-AW, AY-BA	54
505	BACB30LR4-11		..BOLT	A-AJ, AL,A N-AW, AY-BA	1
506	BACR15BA3AD		..RIVET- (SIZE DETERMINE ON INST)	A,C	94

57-53-51

 ILLUSTRATED PARTS LIST
 01.1 Page 1050D
 Nov 01/05


BOEING
 COMPONENT
 MAINTENANCE MANUAL

FIG. & ITEM	PART NO.	AIRLINE PART NUMBER	NOMENCLATURE 1234567	EFF CODE	QTY PER ASSY
01-					
510	BACN10JQ48		..NUTPLATE	A,C	1
512	BACN10JQ32		..NUTPLATE	A,C	8
515	BACN10JQ33		..NUTPLATE	A,C	3
518	BACN10JQ34		..NUTPLATE	A,C	2
521	BACN10JQ35		..NUTPLATE	A,C	27
523	BACN10JQ36		..NUTPLATE	A,C	6
524	BACN10JQ43		DELETED		
525	113T3175-1		..BRACKET	A	1
-526	113T3175-2		..BRACKET	C	1
527	BACN10JQ36		DELETED		
528	113T3175-3		..BRACKET	A	1
-529	113T3175-4		..BRACKET	C	1
530	113T3175-5		..BRACKET	A	1
-531	113T3175-6		..BRACKET	C	1
533	113T3177-1		..CLIP ASSY	A,C	1
536	113T3177-2		..CLIP ASSY	A,C	1
			ATTACHING PARTS		
537	L8006K6		..BOLT-	A,C	4
			(V06725)		
			(SPEC BACB30MY6K6)		
538	HL79-6		..COLLAR-	A,C	4
			(V5M902)		
			(SPEC BACC30M6)		
			(OPT HL79-6		
			(V73197))		
			(OPT HL79-6		
			(V92215))		
			(OPT 66014-6		
			(V56878))		
			(OPT HL79-6		
			(V56878))		
			-----*		

57-53-51

 ILLUSTRATED PARTS LIST
 01.1 Page 1050E
 Nov 01/04

FIG. & ITEM	PART NO.	AIRLINE PART NUMBER	NOMENCLATURE 1234567	EFF CODE	QTY PER ASSY
01-539	BACR15BA3AD		...RIVET- (SIZE DETERMINE ON INST)	A,C	8
542	BACN10JQ32		...NUTPLATE	A,C	4
543	113T3177-5		...CLIP- (USED ON ITEM 533)	A,C	1
544	113T3177-6		...CLIP- (USED ON ITEM 536)	A,C	1
545	CFH370		DELETED		
-545A	CR2XBC106		DELETED		
546	H10-1612BAC		..NUT- (V15653) (SPEC BACN10JC16) (OPT BMN4122A16 (V85495)) (OPT RMLH9074-16 (V72962)) (OPT 48FT1612 (V56878)) (OPT BMN4122AD3-16 (V97928))	A,C	1
546K	MS27111-10		..WASHER	A,C	1
547	CR2XBC106		..BEARING- (V92563) (SPEC 60B00178-650)	A,C	1
-548	113T3133-1		DELETED		
549	HL11VAZ6-6		..BOLT- (V60516) (SPEC BACB30NW6K6) (OPT B30NW6K6 (V97928)) (OPT HL11VAZ6-6 (V73197)) (OPT HL11VAZ6-6 (V92215)) (OPT HL11VAZ6-6 (V97928)) (OPT L803-6K6 (V06725)) (OPT HL11VAZ6-6 (V0PTK6)) (OPT HL11VAZ6-6 (V56878))	A,C	8

57-53-51

 ILLUSTRATED PARTS LIST
 01.1 Page 1050F
 Nov 01/04


BOEING
 COMPONENT
 MAINTENANCE MANUAL

FIG. & ITEM	PART NO.	AIRLINE PART NUMBER	NOMENCLATURE 1234567	EFF CODE	QTY PER ASSY
01-					
549F	BACB30MY6K5		..BOLT	A,C	4
549L	BACB30MY6K3		..BOLT	A,C	4
549R	HL79-6		..COLLAR- (V5M902) (SPEC BACC30M6) (OPT HL79-6 (V73197)) (OPT HL79-6 (V92215)) (OPT 66014-6 (V56878)) (OPT HL79-6 (V56878))	A,C	16
550	BACR15CE6KE		..RIVET- (SIZE DETERMINE ON INST)	A,C	27
550K	BACR15FT6KE		..RIVET- (SIZE DETERMINE ON INST)	A,C	6
550N	BACR15CE6AD		..RIVET- (SIZE DETERMINE ON INST)	A,C	4
550R	BACR15FT6AD		..RIVET- (SIZE DETERMINE ON INST)	A,C	17
-551	113T3133-2		DELETED		
-552	113T3133-1		..RIB ASSY	A	1
-553	113T3133-2		..RIB ASSY	C	1
554	113T3130-2		...BUSHING	A,C	1
555	113T3130-3		...BUSHING	A,C	1
556	BACS40R10C19F		..SHIM	A,C	1
556C	BACS40R16B18F		..SHIM	A,C	2
556F	BACS40R16B20F		..SHIM	A,C	2
556J	BACS40R09B09F		..SHIM	A,C	2
556M	BACS40R09C19F		..SHIM	A,C	1
556Q	BACS40R07E17F		..SHIM	A,C	2
556T	BACS40R10B36F		..SHIM	A,C	1

57-53-51

 ILLUSTRATED PARTS LIST
 01.1 Page 1050G
 Nov 01/04

FIG. & ITEM	PART NO.	AIRLINE PART NUMBER	NOMENCLATURE 1234567	EFF CODE	QTY PER ASSY
01- -557	113T3165-1		.RIB INSTL-OUTBD SPRT	A,B, E,G, J,L, N,Q, S,U, W,Y, AC, AE, AG,BD	1
-557A	113T3165-5		.RIB INSTL-OUTBD SPRT	AJ,AN AQ,A S,AT, AW,AY	1
-560	113T3165-2		.RIB INSTL-OUTBD SPRT	C,D, F,H, K,M, P,R, T,V, X,Z, AB, AD, AF, AH,BE	1
-560A	113T3165-6		.RIB INSTL-OUTBD SPRT	AL,AP AR,A U,AV, AZ,BA	1
561	BACB30NN4K11		..BOLT	A-AJ, AL,A N-AW, AY-BA	16
562	BACB30NN3K8		..BOLT	A-AJ, AL,A N-AW, AY-BA	12

57-53-51

 ILLUSTRATED PARTS LIST
 01.1 Page 1050H
 Nov 01/05


BOEING
 COMPONENT
 MAINTENANCE MANUAL

FIG. & ITEM	PART NO.	AIRLINE PART NUMBER	NOMENCLATURE 1234567	EFF CODE	QTY PER ASSY
01-563	BACR15BA3AD		..RIVET- (SIZE DETERMINE ON INST)	A-AJ, AL,A N-AW, AY-BA	56
564	BACN10JQ43		..NUTPLATE	A-AJ, AL,A N-AW, AY-BA	4
565	BACN10JQ34		..NUTPLATE	A-AJ, AL,A N-AW, AY-BA	6
566	BACN10JQ43		DELETED		
567	BACN10JQ45		..NUTPLATE	A-AJ, AL,A N-AW, AY-BA	2
568	BACN10JQ42		..NUTPLATE	A-AJ, AL,A N-AW, AY-BA	6
569	BRFM22A4-3		DELETED		
570	BACN10JQ44		..NUTPLATE	A-AJ, AL,A N-AW, AY-BA	2
571	BACN10JQ32		..NUTPLATE	A-AJ, AL,A N-AW, AY-BA	4
572	BACN10JQ45		DELETED		

57-53-51

ILLUSTRATED PARTS LIST

01.1 Page 1050I

Nov 01/04

FIG. & ITEM	PART NO.	AIRLINE PART NUMBER	NOMENCLATURE 1234567	EFF CODE	QTY PER ASSY
01-573	NS103191-048-2		..NUTPLATE- (V80539) (SPEC BACN10KE4B2) (OPT RMF9213-2-4 (V72962)) (OPT F51750-4-2 (V15653)) (OPT BRFR220A4-2 (V52828))	A-AJ, AL,A N-AW, AY-BA	2
574	NS103191-02-4		..NUTPLATE- (V80539) (SPEC BACN10KE3B4) (OPT RMF9213-4-3 (V72962)) (OPT F51750-3-4 (V15653)) (OPT BRFR220A3-4 (V52828))	A-AJ, AL,A N-AW, AY-BA	2
575	BACN10JQ42		DELETED		
576	BACB30MY8K7		..BOLT	A-AJ, AL,A N-AW, AY-BA	6
576H	BACB30MY8K9		..BOLT	A-AJ, AL,A N-AW, AY-BA	2
576R	BACB30MY8K14		..BOLT	A-AJ, AL,A N-AW, AY-BA	4

57-53-51

ILLUSTRATED PARTS LIST

01.1 Page 1050J

Nov 01/04

BOEING
 COMPONENT
 MAINTENANCE MANUAL

FIG. & ITEM	PART NO.	AIRLINE PART NUMBER	NOMENCLATURE 1234567	EFF CODE	QTY PER ASSY
01-577	BACB30MY12K14		..BOLT	A-AJ, AL,A N-AW, AY-BA	2
577H	BACB30MY8K5		..BOLT	A-AJ, AL,A N-AW, AY-BA	2
577R	BACB30MY6K5		..BOLT	A-AJ, AL,A N-AW, AY-BA	1
578	BACN10JQ44		DELETED		
579	HL1012AZ8-9		..BOLT- (V0PTK6) (SPEC BACB30NX8K9) (OPT HL12VAZ8-9 (V73197)) (OPT HL12VAZ8-9 (V92215)) (OPT HL12VAZ8-9 (V97928)) (OPT L802-8K9 (V06725)) (OPT HL12VAZ8-9 (V56878)) (OPT HL1012AZ8-9 (V06725)) (OPT HL1012AZ8-9 (V06950)) (OPT HL1012AZ8-9 (V17446)) (OPT HL1012AZ8-9 (V56878)) (OPT HL1012AZ8-9 (V60516)) (OPT HL1012AZ8-9 (V73197)) (OPT HL1012AZ8-9 (V97928))	A-AJ, AL,A N-AW, AY-BA	2

57-53-51

ILLUSTRATED PARTS LIST
 01.1 Page 1050K
 Nov 01/04

FIG. & ITEM	PART NO.	AIRLINE PART NUMBER	NOMENCLATURE 1234567	EFF CODE	QTY PER ASSY
01-579H	HL1012AZ8-8		..BOLT- (VOPTK6) (SPEC BACB30NX8K8) (OPT HL12VAZ8-8 (V73197)) (OPT HL12VAZ8-8 (V92215)) (OPT HL12VAZ8-8 (V97928)) (OPT L802-8K8 (V06725)) (OPT HL12VAZ8-8 (V56878)) (OPT HL1012AZ8-8 (V06725)) (OPT HL1012AZ8-8 (V06950)) (OPT HL1012AZ8-8 (V17446)) (OPT HL1012AZ8-8 (V56878)) (OPT HL1012AZ8-8 (V60516)) (OPT HL1012AZ8-8 (V73197)) (OPT HL1012AZ8-8 (V97928))	A-AJ, AL,A N-AW, AY-BA	2

57-53-51

 ILLUSTRATED PARTS LIST
 01.1 Page 1050L
 Nov 01/04


BOEING
 COMPONENT
 MAINTENANCE MANUAL

FIG. & ITEM	PART NO.	AIRLINE PART NUMBER	NOMENCLATURE 1234567	EFF CODE	QTY PER ASSY
01-579R	HL1012AZ8-7		..BOLT- (VOPTK6) (SPEC BACB30NX8K7) (OPT HL12VAZ8-7 (V73197)) (OPT HL12VAZ8-7 (V92215)) (OPT HL12VAZ8-7 (V97928)) (OPT L802-8K7 (V06725)) (OPT HL12VAZ8-7 (V56878)) (OPT HL1012AZ8-7 (V06725)) (OPT HL1012AZ8-7 (V06950)) (OPT HL1012AZ8-7 (V17446)) (OPT HL1012AZ8-7 (V56878)) (OPT HL1012AZ8-7 (V60516)) (OPT HL1012AZ8-7 (V73197)) (OPT HL1012AZ8-7 (V97928))	A-AJ, AL,A N-AW, AY-BA	2
580	HL11VAZ8-8		..BOLT- (V56878) (SPEC BACB30NW8K8) (OPT B30NW8K8 (V97928)) (OPT HL11VAZ8-8 (V73197)) (OPT HL11VAZ8-8 (V92215)) (OPT HL11VAZ8-8 (V97928)) (OPT L803-8K8 (V06725)) (OPT HL11VAZ8-8 (VOPTK6)) (OPT HL11VAZ8-8 (V60516))	A-AJ, AL,A N-AW, AY-BA	2

57-53-51

 ILLUSTRATED PARTS LIST
 01.1 Page 1050M
 Nov 01/04

FIG. & ITEM	PART NO.	AIRLINE PART NUMBER	NOMENCLATURE 1234567	EFF CODE	QTY PER ASSY
01-580H	HL11VAZ6-6		..BOLT- (V60516) (SPEC BACB30NW6K6) (OPT B30NW6K6 (V97928)) (OPT HL11VAZ6-6 (V73197)) (OPT HL11VAZ6-6 (V92215)) (OPT HL11VAZ6-6 (V97928)) (OPT L803-6K6 (V06725)) (OPT HL11VAZ6-6 (VOPTK6)) (OPT HL11VAZ6-6 (V56878))	A-AJ, AL,A N-AW, AY-BA	3
580R	HL11VAZ6-4		..BOLT- (V60516) (SPEC BACB30NW6K4) (OPT B30NW6K4 (V97928)) (OPT HL11VAZ6-4 (V73197)) (OPT HL11VAZ6-4 (V92215)) (OPT HL11VAZ6-4 (V97928)) (OPT L803-6K4 (V06725)) (OPT HL11VAZ6-4 (VOPTK6)) (OPT HL11VAZ6-4 (V56878))	A-AJ, AL,A N-AW, AY-BA	3
581	BACN10JQ32		DELETED		

57-53-51

 ILLUSTRATED PARTS LIST
 01.1 Page 1050N
 Nov 01/04


BOEING
 COMPONENT
 MAINTENANCE MANUAL

FIG. & ITEM	PART NO.	AIRLINE PART NUMBER	NOMENCLATURE 1234567	EFF CODE	QTY PER ASSY
01-582	HL79-8		..COLLAR- (V5M902) (SPEC BACC30M8) (OPT HL79-8 (V73197)) (OPT HL79-8 (V92215)) (OPT 66014-8 (V56878)) (OPT HL79-8 (V56878))	A-AJ, AL,A N-AW, AY-BA	16
582F	HL79-12		..COLLAR- (V5M902) (SPEC BACC30M12) (OPT HL79-12 (V73197)) (OPT HL79-12 (V92215)) (OPT 66014-12 (V56878)) (OPT HL79-12 (V56878))	A-AJ, AL,A N-AW, AY-BA	2
582M	HL79-6		..COLLAR- (V5M902) (SPEC BACC30M6) (OPT HL79-6 (V73197)) (OPT HL79-6 (V92215)) (OPT 66014-6 (V56878)) (OPT HL79-6 (V56878))	A-AJ, AL,A N-AW, AY-BA	7

57-53-51

ILLUSTRATED PARTS LIST

01.1 Page 10500

Nov 01/04

FIG. & ITEM	PART NO.	AIRLINE PART NUMBER	NOMENCLATURE 1234567	EFF CODE	QTY PER ASSY
01-582T	HL1187-8		..COLLAR- (V5M902) (SPEC BACC30X8) (OPT HL87-8 (V92215)) (OPT HL87-8 (V73197)) (OPT HL1187-8 (V56878)) (OPT HL1187-8 (V92215)) (OPT HL87-8 (V56878)) (OPT HL1187-8 (V73197))	A-AJ, AL,A N-AW, AY-BA	6
583	BACS40R11B32F		..SHIM	A-AJ, AL,A N-AW, AY-BA	1
583F	BACS40R21B32F		..SHIM	A-AJ, AL,A N-AW, AY-BA	1
583M	BACS40R15B32F		..SHIM	A-AJ, AL,A N-AW, AY-BA	2
584	NS103191-048-2		DELETED		
585	BACS40R19B32F		..SHIM	A-AJ, AL,A N-AW, AY-BA	1

57-53-51

 ILLUSTRATED PARTS LIST
 01.1 Page 1050P
 Nov 01/04


BOEING
 COMPONENT
 MAINTENANCE MANUAL

FIG. & ITEM	PART NO.	AIRLINE PART NUMBER	NOMENCLATURE 1234567	EFF CODE	QTY PER ASSY
01-585F	BACS40R20B32F		..SHIM	A-AJ, AL,A N-AW, AY-BA	1
585M	BACS40R11B13F		..SHIM	A-AJ, AL,A N-AW, AY-BA	2
586	BACS40R32B32F		..SHIM	A-AJ, AL,A N-AW, AY-BA	1
586F	BACS40R18B32F		..SHIM	A-AJ, AL,A N-AW, AY-BA	1
586M	BACS40R10B23F		..SHIM	A-AJ, AL,A N-AW, AY-BA	1
587	NS103191-02-4		DELETED		
588	BACS40R12B32F		..SHIM	A-AJ, AL,A N-AW, AY-BA	1
588F	BACS40R22B29F		..SHIM	A-AJ, AL,A N-AW, AY-BA	1
588M	BACS40R14B32F		..SHIM	A-AJ, AL,A N-AW, AY-BA	1
588T	BACS40R23B29F		..SHIM	A-AJ, AL,A N-AW, AY-BA	1

57-53-51

ILLUSTRATED PARTS LIST

01.1 Page 1050Q

Nov 01/04

FIG. & ITEM	PART NO.	AIRLINE PART NUMBER	NOMENCLATURE 1234567	EFF CODE	QTY PER ASSY
01- -590	113T3163-1		.RIB INSTL-SPLICE	A,B, E,G, J,L, N,Q, S,U, W,Y, AA, AC, AE, AG,BD	1
-590A	113T3163-3		.RIB INSTL-SPLICE	AJ,AN AQ,A S,AT, AW,AY	1
-591	113T3163-2		.RIB INSTL-SPLICE	C,D, F,H, K,M, P,R, T,V, X,Z, AB, AD, AF, AH,BE	1
-591A	113T3163-4		.RIB INSTL-SPLICE	AL,AP AR,A U,AV, AZ,BA	1
592	BACB30NN3K8		..BOLT	A-AJ, AL,A N-AW, AY-BA	88
592K	BACR15BA3AD		..RIVET- (SIZE DETERMINE ON INST)	A-AJ, AL,A N-AW, AY-BA	176

57-53-51

 ILLUSTRATED PARTS LIST
 01.1 Page 1050R
 Nov 01/05


BOEING
 COMPONENT
 MAINTENANCE MANUAL

FIG. & ITEM	PART NO.	AIRLINE PART NUMBER	NOMENCLATURE 1234567	EFF CODE	QTY PER ASSY
01-					
-593	113T3163-2		DELETED		
-593A	113T3163-4		DELETED		
594	BACN10JQ32		..NUTPLATE	A-AJ, AL,A N-AW, AY-BA	12
595	BACN10JQ34		..NUTPLATE	A-AJ, AL,A N-AW, AY-BA	34
596	BACR15BA3AD		DELETED		
597	BACN10JQ35		..NUTPLATE	A-AJ, AL,A N-AW, AY-BA	40
598	BACN10JQ33		..NUTPLATE	A-AJ, AL,A N-AW, AY-BA	2
599	BACB30MY6K5		..BOLT	A-AJ, AL,A N-AW, AY-BA	8
600	L8006K6		..BOLT- (V06725) (SPEC BACB30MY6K6)	A-AJ, AL,A N-AW, AY-BA	4
601	BACB30MY6K8		..BOLT	A-AJ, AL,A N-AW, AY-BA	4
602	BACN10JQ32		DELETED		
603	BACB30MY6K4		..BOLT	A-AJ, AL,A N-AW, AY-BA	3
604	L8006K6		DELETED		

57-53-51

ILLUSTRATED PARTS LIST

01.1 Page 1050S

Nov 01/04

FIG. & ITEM	PART NO.	AIRLINE PART NUMBER	NOMENCLATURE 1234567	EFF CODE	QTY PER ASSY
01-604A	HL11VAZ6-6		..BOLT- (V60516) (SPEC BACB30NW6K6) (OPT B30NW6K6 (V97928)) (OPT HL11VAZ6-6 (V73197)) (OPT HL11VAZ6-6 (V92215)) (OPT HL11VAZ6-6 (V97928)) (OPT L803-6K6 (V06725)) (OPT HL11VAZ6-6 (V0PTK6)) (OPT HL11VAZ6-6 (V56878))	A-AJ, AL,A N-AW, AY-BA	4
605 606	BRFM22A4-3 HL11VAZ6-3		DELETED ..BOLT- (V60516) (SPEC BACB30NW6K3) (OPT B30NW6K3 (V97928)) (OPT HL11VAZ6-3 (V73197)) (OPT HL11VAZ6-3 (V92215)) (OPT HL11VAZ6-3 (V97928)) (OPT L803-6K3 (V06725)) (OPT HL11VAZ6-3 (V0PTK6)) (OPT HL11VAZ6-3 (V56878))	A-AJ, AL,A N-AW, AY-BA	26

57-53-51

 ILLUSTRATED PARTS LIST
 01.1 Page 1050T
 Nov 01/04


BOEING
 COMPONENT
 MAINTENANCE MANUAL

FIG. & ITEM	PART NO.	AIRLINE PART NUMBER	NOMENCLATURE 1234567	EFF CODE	QTY PER ASSY
01-607	HL11VAZ6-7		..BOLT- (V60516) (SPEC BACB30NW6K7) (OPT B30NW6K7 (V97928)) (OPT HL11VAZ6-7 (V73197)) (OPT HL11VAZ6-7 (V92215)) (OPT HL11VAZ6-7 (V97928)) (OPT L803-6K7 (V06725)) (OPT HL11VAZ6-7 (VOPTK6)) (OPT HL11VAZ6-7 (V56878))	A-AJ, AL,A N-AW, AY-BA	12
608	BRFM22A5-3		DELETED		
609	HL11VAZ6-7		DELETED		
609A	HL11VAZ6-5		..BOLT- (V60516) (SPEC BACB30NW6K5) (OPT B30NW6K5 (V97928)) (OPT HL11VAZ6-5 (V73197)) (OPT HL11VAZ6-5 (V92215)) (OPT HL11VAZ6-5 (V97928)) (OPT L803-6K5 (V06725)) (OPT HL11VAZ6-5 (VOPTK6)) (OPT HL11VAZ6-5 (V56878))	A-AJ, AL,A N-AW, AY-BA	4

57-53-51

ILLUSTRATED PARTS LIST

01.1 Page 1050U

Nov 01/04

FIG. & ITEM	PART NO.	AIRLINE PART NUMBER	NOMENCLATURE 1234567	EFF CODE	QTY PER ASSY
01-610	HL79-6		..COLLAR- (V5M902) (SPEC BACC30M6) (OPT HL79-6 (V73197)) (OPT HL79-6 (V92215)) (OPT 66014-6 (V56878)) (OPT HL79-6 (V56878))	A-AJ, AL,A N-AW, AY-BA	65
611	BRFM22A3-3		DELETED		
612	BACS40R09B27F		..SHIM	A-AJ, AL,A N-AW, AY-BA	1
612F	BACS40R08B27F		..SHIM	A-AJ, AL,A N-AW, AY-BA	4
612M	BACS40R14B27F		..SHIM	A-AJ, AL,A N-AW, AY-BA	1
612T	BACS40R16E25F		..SHIM	A-AJ, AL,A N-AW, AY-BA	1
613	BACS40R08B19F		..SHIM	A-AJ, AL,A N-AW, AY-BA	2
613F	BACS40R08B18F		..SHIM	A-AJ, AL,A N-AW, AY-BA	6
613M	BACS40R08C22F		..SHIM	A-AJ, AL,A N-AW, AY-BA	1
613T	BACS40R18B19F		..SHIM	A-AJ, AL,A N-AW, AY-BA	1

57-53-51

ILLUSTRATED PARTS LIST

01.1 Page 1050V

Nov 01/04

BOEING
 COMPONENT
 MAINTENANCE MANUAL

FIG. & ITEM	PART NO.	AIRLINE PART NUMBER	NOMENCLATURE 1234567	EFF CODE	QTY PER ASSY
01- -614	113T3168-1		.RIB INSTL-INBD SPRT	A,B, E,G, J,L, N,Q, S,U, W,Y, AA, AC, AE, AG, AJ, AN, AQ, AS, AT, AW, AY,BD	1
-617	113T3168-2		.RIB INSTL-INBD SPRT	C,D, F,H, K,M, P,R, T,V, X,Z, AB, AD, AF, AH, AL, AP, AR, AU, AV, AZ, BA,BE	1
618	BACB30NN4K11		..BOLT	A-AJ, AL,A N-AW, AY-BA	16
619	BACB30NN3K8		..BOLT	A-AJ, AL,A N-AW, AY-BA	24

57-53-51

ILLUSTRATED PARTS LIST
 01.1 Page 1050W
 Nov 01/05

FIG. & ITEM	PART NO.	AIRLINE PART NUMBER	NOMENCLATURE 1234567	EFF CODE	QTY PER ASSY
01-620	BACR15BA3AD		..RIVET- (SIZE DETERMINE ON INST)	A-AJ, AL,A N-AW, AY-BA	80
623	BACN10JQ43		..NUTPLATE	A-AJ, AL,A N-AW, AY-BA	4
626	BACN10JQ34		..NUTPLATE	A-AJ, AL,A N-AW, AY-BA	5
629	BACN10JQ32		..NUTPLATE	A-AJ, AL,A N-AW, AY-BA	3
632	BACN10JQ45		..NUTPLATE	A-AJ, AL,A N-AW, AY-BA	4
635	BACN10JQ42		..NUTPLATE	A-AJ, AL,A N-AW, AY-BA	8
638	BACN10JQ33		..NUTPLATE	A-AJ, AL,A N-AW, AY-BA	1
641	NS103191-02-5		..NUTPLATE- (V80539) (SPEC BACN10KE3B5) (OPT F51750-3-5 (V15653)) (OPT RMF9213-5-3 (V72962)) (OPT BRFR220A3-5 (V52828))	A-AJ, AL,A N-AW, AY-BA	13

57-53-51

 ILLUSTRATED PARTS LIST
 01.1 Page 1050X
 Nov 01/04


BOEING
 COMPONENT
 MAINTENANCE MANUAL

FIG. & ITEM	PART NO.	AIRLINE PART NUMBER	NOMENCLATURE 1234567	EFF CODE	QTY PER ASSY
01- 644	NS103191-02-2		..NUTPLATE- (V80539) (SPEC BACN10KE3B2) (OPT F51750-3-2 (V15653)) (OPT RMF9213-2-3 (V72962)) (OPT BRFR220A3-2 (V52825))	A-AJ, AL,A N-AW, AY-BA	2
645	BACB30MY8K14		..BOLT	A-AJ, AL,A N-AW, AY-BA	4
646	BACB30MY10K14		..BOLT	A-AJ, AL,A N-AW, AY-BA	4
647	MS20604B3W2		DELETED		
648	BACB30MY8K7		..BOLT	A-AJ, AL,A N-AW, AY-BA	8

57-53-51

ILLUSTRATED PARTS LIST

01.1 Page 1050Y

Nov 01/04

FIG. & ITEM	PART NO.	AIRLINE PART NUMBER	NOMENCLATURE 1234567	EFF CODE	QTY PER ASSY
01-649	HL1012AZ8-8		..BOLT- (VOPTK6) (SPEC BACB30NX8K8) (OPT HL12VAZ8-8 (V73197)) (OPT HL12VAZ8-8 (V92215)) (OPT HL12VAZ8-8 (V97928)) (OPT L802-8K8 (V06725)) (OPT HL12VAZ8-8 (V56878)) (OPT HL1012AZ8-8 (V06725)) (OPT HL1012AZ8-8 (V06950)) (OPT HL1012AZ8-8 (V17446)) (OPT HL1012AZ8-8 (V56878)) (OPT HL1012AZ8-8 (V60516)) (OPT HL1012AZ8-8 (V73197)) (OPT HL1012AZ8-8 (V97928))	A-AJ, AL,A N-AW, AY-BA	4
650	MS27253-1		DELETED		

57-53-51

 ILLUSTRATED PARTS LIST
 01.1 Page 1050Z
 Nov 01/04

BOEING
 COMPONENT
 MAINTENANCE MANUAL

FIG. & ITEM	PART NO.	AIRLINE PART NUMBER	NOMENCLATURE	EFF CODE	QTY PER ASSY
01-651	HL1012AZ6-5		1234567 ..BOLT- (V97928) (SPEC BACB30NX6K5) (OPT HL12VAZ6-5 (V73197)) (OPT HL12VAZ6-5 (V92215)) (OPT HL12VAZ6-5 (V97928)) (OPT L802-6K5 (V06725)) (OPT HL12VAZ6-5 (V56878)) (OPT HL1012AZ6-5 (V0PTK6)) (OPT HL1012AZ6-5 (V06725)) (OPT HL1012AZ6-5 (V06950)) (OPT HL1012AZ6-5 (V17446)) (OPT HL1012AZ6-5 (V56878)) (OPT HL1012AZ6-5 (V60516)) (OPT HL1012AZ6-5 (V73197))	A-AJ, AL,A N-AW, AY-BA	6

57-53-51

ILLUSTRATED PARTS LIST
 01.1 Page 1051
 Nov 01/04

FIG. & ITEM	PART NO.	AIRLINE PART NUMBER	NOMENCLATURE 1234567	EFF CODE	QTY PER ASSY
01-652	HL1012AZ8-6		..BOLT- (VOPTK6) (SPEC BACB30NX8K6) (OPT HL12VAZ8-6 (V73197)) (OPT HL12VAZ8-6 (V92215)) (OPT HL12VAZ8-6 (V97928)) (OPT L802-8K6 (V06725)) (OPT HL12VAZ8-6 (V56878)) (OPT HL1012AZ8-6 (V06725)) (OPT HL1012AZ8-6 (V06950)) (OPT HL1012AZ8-6 (V17446)) (OPT HL1012AZ8-6 (V56878)) (OPT HL1012AZ8-6 (V60516)) (OPT HL1012AZ8-6 (V73197)) (OPT HL1012AZ8-6 (V97928))	A-AJ, AL,A N-AW, AY-BA	2
653	HL11VAZ6-6		..BOLT- (V60516) (SPEC BACB30NW6K6) (OPT B30NW6K6 (V97928)) (OPT HL11VAZ6-6 (V73197)) (OPT HL11VAZ6-6 (V92215)) (OPT HL11VAZ6-6 (V97928)) (OPT L803-6K6 (V06725)) (OPT HL11VAZ6-6 (VOPTK6)) (OPT HL11VAZ6-6 (V56878))	A-AJ, AL,A N-AW, AY-BA	13

57-53-51

ILLUSTRATED PARTS LIST

01.1

Page 1052

Nov 01/04


BOEING
 COMPONENT
 MAINTENANCE MANUAL

FIG. & ITEM	PART NO.	AIRLINE PART NUMBER	NOMENCLATURE 1234567	EFF CODE	QTY PER ASSY
01-653H	BACB30MY6K5		..BOLT	A-AJ, AL,A N-AW, AY-BA	1
653P	BACB30MY8K5		..BOLT	A-AJ, AL,A N-AW, AY-BA	2
654	HL79-8		..COLLAR- (V5M902) (SPEC BACC30M8) (OPT HL79-8 (V73197)) (OPT HL79-8 (V92215)) (OPT 66014-8 (V56878)) (OPT HL79-8 (V56878))	A-AJ, AL,A N-AW, AY-BA	16
-655 656	113T3160-33 HL79-10		DELETED ..COLLAR- (V5M902) (SPEC BACC30M10) (OPT HL79-10 (V73197)) (OPT HL79-10 (V92215)) (OPT 66014-10 (V56878)) (OPT HL79-10 (V56878))	A-AJ, AL,A N-AW	4

57-53-51

 ILLUSTRATED PARTS LIST
 01.1 Page 1052A
 Nov 01/04

FIG. & ITEM	PART NO.	AIRLINE PART NUMBER	NOMENCLATURE 1234567	EFF CODE	QTY PER ASSY
01-657	HL79-6		..COLLAR- (V5M902) (SPEC BACC30M6) (OPT HL79-6 (V73197)) (OPT HL79-6 (V92215)) (OPT 66014-6 (V56878)) (OPT HL79-6 (V56878))	A-AJ, AL,A N-AW, AY-BA	14
658	HL1187-8		..COLLAR- (V5M902) (SPEC BACC30X8) (OPT HL87-8 (V92215)) (OPT HL87-8 (V73197)) (OPT HL1187-8 (V56878)) (OPT HL1187-8 (V92215)) (OPT HL87-8 (V56878)) (OPT HL1187-8 (V73197))	A-AJ, AL,A N-AW, AY-BA	4
659	HL1187-6		..COLLAR- (V5M902) (SPEC BACC30X6) (OPT HL87-6 (V92215)) (OPT HL87-6 (V73197)) (OPT HL1187-6 (V56878)) (OPT HL1187-6 (V92215)) (OPT HL87-6 (V56878)) (OPT HL1187-6 (V73197))	A-AJ, AL,A N-AW, AY-BA	6

57-53-51

 ILLUSTRATED PARTS LIST
 01.1 Page 1052B
 Nov 01/04


BOEING
 COMPONENT
 MAINTENANCE MANUAL

FIG. & ITEM	PART NO.	AIRLINE PART NUMBER	NOMENCLATURE 1234567	EFF CODE	QTY PER ASSY
01- -660 661	113T3160-34 BACS40R11B26F		DELETED ..SHIM	A-AJ, AL,A N-AW, AY-BA	1
662	BACS40R21B32F		..SHIM	A-AJ, AL,A N-AW, AY-BA	1
663	BACS40R14B32F		..SHIM	A-AJ, AL,A N-AW, AY-BA	2
664	BACS40R19B32F		..SHIM	A-AJ, AL,A N-AW, AY-BA	2
665 666	BACR15CE6KE BACS40R11B14F		DELETED ..SHIM	A-AJ, AL,A N-AW, AY-BA	2
667	BACS40R15E26F		..SHIM	A-AJ, AL,A N-AW, AY-BA	1
668	BACS40R26B35F		..SHIM	A-AJ, AL,A N-AW, AY-BA	1

57-53-51

 ILLUSTRATED PARTS LIST
 01.1 Page 1052C
 Nov 01/04

FIG. & ITEM	PART NO.	AIRLINE PART NUMBER	NOMENCLATURE 1234567	EFF CODE	QTY PER ASSY
01-669	BACS40R12B26F		..SHIM	A-AJ, AL,A N-AW, AY-BA	1
670	NS103191-02-5		DELETED		
671	BACS40R25B29F		..SHIM	A-AJ, AL,A N-AW, AY-BA	1
672	BACS40R12E32F		DELETED		
672A	BACS40R17E32F		..SHIM	A-AJ, AL,A N-AW, AY-BA	1
673	BACS40R26B32F		..SHIM	A-AJ, AL,A N-AW, AY-BA	1
674	BACS40R15B29F		..SHIM	A-AJ, AL,A N-AW, AY-BA	1
675	BRFM22A3-3		DELETED		
676	BACS40R21B29F		..SHIM	A-AJ, AL,A N-AW, AY-BA	1
677	BACS40R11B25F		..SHIM	A-AJ, AL,A N-AW, AY-BA	1
680	BRFM22A5-3		DELETED		

57-53-51

 ILLUSTRATED PARTS LIST
 01.1 Page 1052D
 Nov 01/04

BOEING
 COMPONENT
 MAINTENANCE MANUAL

FIG. & ITEM	PART NO.	AIRLINE PART NUMBER	NOMENCLATURE 1234567	EFF CODE	QTY PER ASSY
01- 685 690 691	BACN10JQ45 113T3160-23 113T3173-1		DELETED DELETED .RIB ASSY	A,B, E,G, J,L, N,Q, S,U, W,Y, AA, AC, AE, AG, AJ, AN, AQ, AS, AT, AW, AY,BD	1
-693	113T3173-2		.RIB ASSY	C,D, F,H, K,M, P,R, T,V, X,Z, AB, AD, AF, AH, AL, AP, AR, AU, AV, AZ, BA,BE	1
-695 696	113T3160-24 BACR15BA3AD		DELETED ..RIVET- (SIZE DETERMINE ON INST)	A-AJ, AL,A N-AW, AY-BA	18

57-53-51

ILLUSTRATED PARTS LIST
 01.1 Page 1052E
 Nov 01/05

FIG. & ITEM	PART NO.	AIRLINE PART NUMBER	NOMENCLATURE 1234567	EFF CODE	QTY PER ASSY
01-698	BACN10JQ36		..NUTPLATE	A-AJ, AL, AN-AW AY-BA BD, BE	9
700 701	NAS1836A4N13 113T3173-3		DELETED ..RIB	A, B, E , G, J, L, N, Q , S, U, W, Y AA, AC , AE, A G, AJ, AN, AQ , AS AT, AW , AY C, D, F , H, K, M, P, R , T, V, X, Z AB, AD , AF, A H, AL, AP, AR , AU AV, AZ , BA	1
-703	113T3173-4		..RIB	C, D, F , H, K, M, P, R , T, V, X, Z AB, AD , AF, A H, AL, AP, AR , AU AV, AZ , BA	1
-705 -705A	113T3000-1 113T3002-1		DELETED .GENERATOR INSTL-VORTEX	N, U, AA, AC, AE, AJ, AN, BD	1

57-53-51

 ILLUSTRATED PARTS LIST
 01.1 Page 1052F
 Nov 01/05

BOEING
 COMPONENT
 MAINTENANCE MANUAL

FIG. & ITEM	PART NO.	AIRLINE PART NUMBER	NOMENCLATURE 1234567	EFF CODE	QTY PER ASSY
01- -707 -707A	113T3000-2 113T3002-2		DELETED .GENERATOR INSTL-VORTEX	P,V, A,B, AD, AF, AL, AP, BA,BE	1
709	BACB30NN3K8		..BOLT	N,P,U ,V,A A-AF, AJ,AL ,AN,A P BA	25
711 713	66-2955-71 113T3183-3		DELETED ..GENERATOR- (MFD FROM AND10133-1001 X 3.1 7075-T6511 QQ-A-200/11)	N,U,A A,AC, AE,AJ ,AN	2
-715	113T3183-4		..GENERATOR- (MFD FROM AND10133-1001 X 3.1 7075-T6511 QQ-A-200/11)	P,V,A B,AD, AF,AL ,AP, BA	2
717	113T3183-5		..GENERATOR- (MFD FROM AND10133-1001 X 3.7 7075-T6511 QQ-A-200/11)	N,U,A A,AC, AE,AJ ,AN	4
-719	113T3183-6		..GENERATOR- (MFD FROM AND10133-1001 X 3.7 7075-T6511 QQ-A-200/11)	P,V,A A,AB, AD,AF ,AL,A P,BA	4

57-53-51

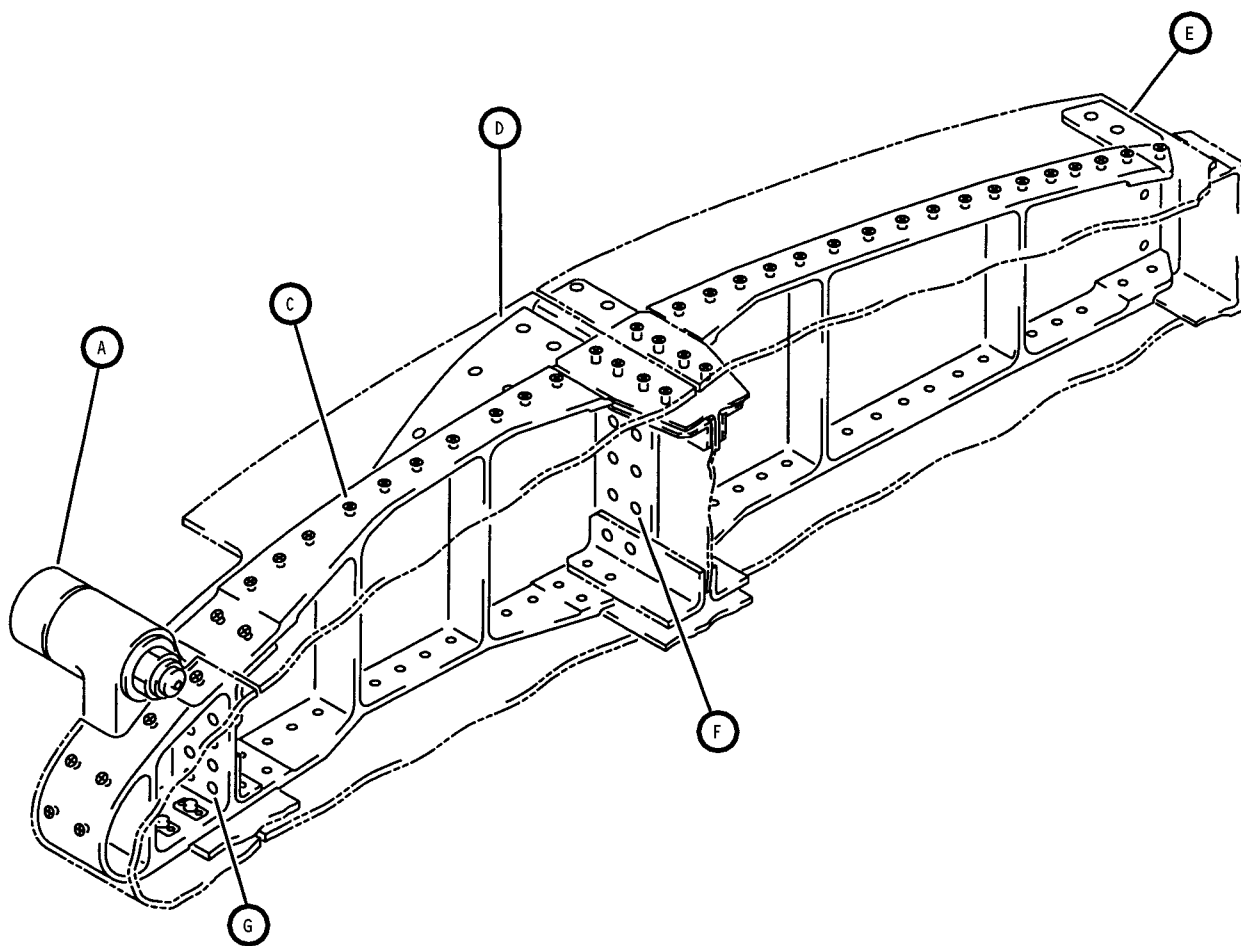
ILLUSTRATED PARTS LIST
 01.1 Page 1052G
 Nov 01/05

FIG. & ITEM	PART NO.	AIRLINE PART NUMBER	NOMENCLATURE	EFF CODE	QTY PER ASSY
01-721	113T3183-1		1234567 ..GENERATOR- (MFD FROM AND10133-1001 X 3.7 7075-T6511 QQ-A-200/11)	N,P,U ,V,A A-AF, AJ,AL ,AN,A P BA	19
723 725	113T3183-2 MS20604B3W2		DELETED .RIVET	A-AJ, AL, AN-AW AY-BA BD,BE	4
727	MS27253-1		.PLATE	A-AJ, AL, AN-AW AY-BA BD,BE	1

- Item Not Illustrated

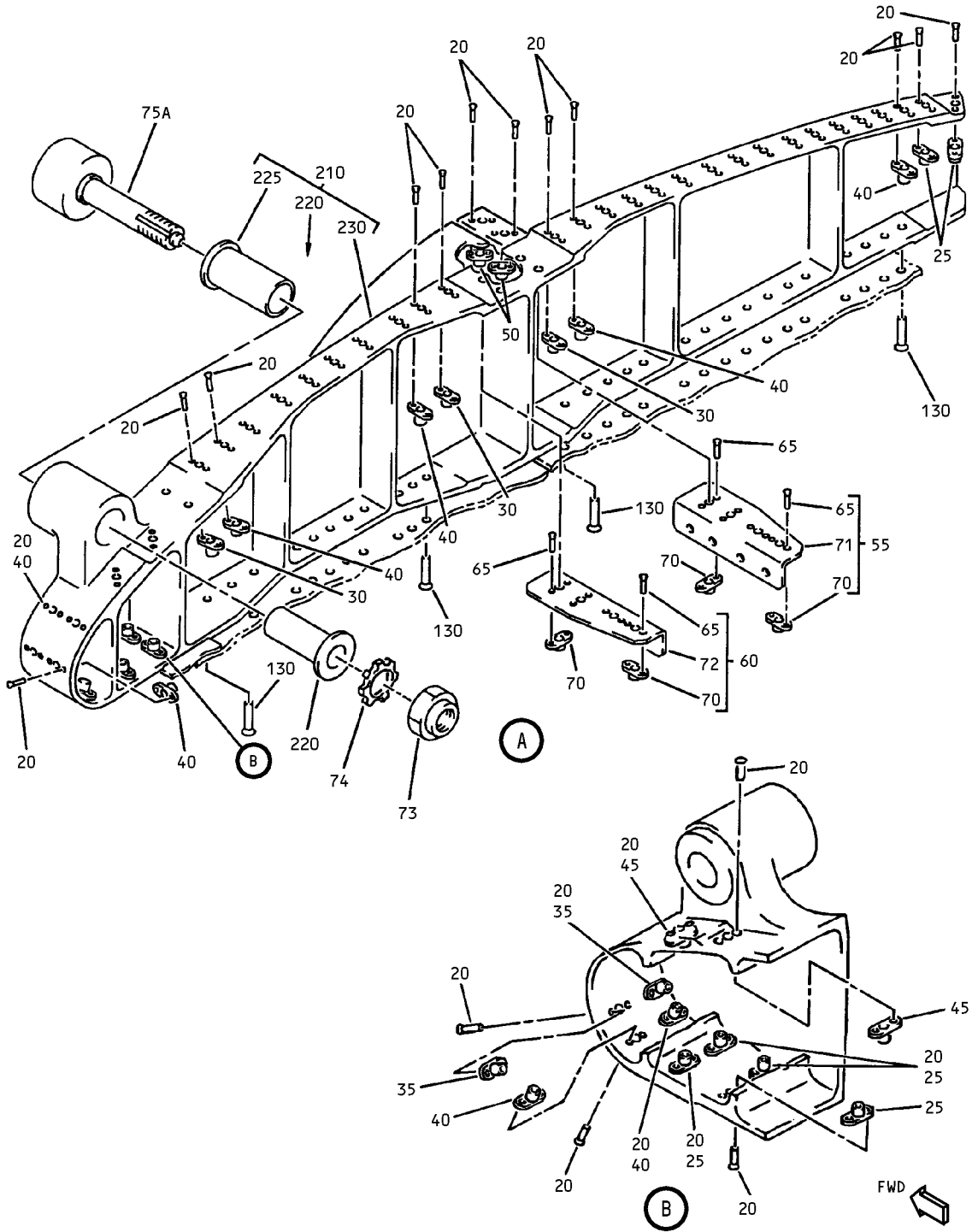
57-53-51

ILLUSTRATED PARTS LIST
 01.1 Page 1052H
 Nov 01/05



Inboard End Rib Installation
Figure 2 (Sheet 1)

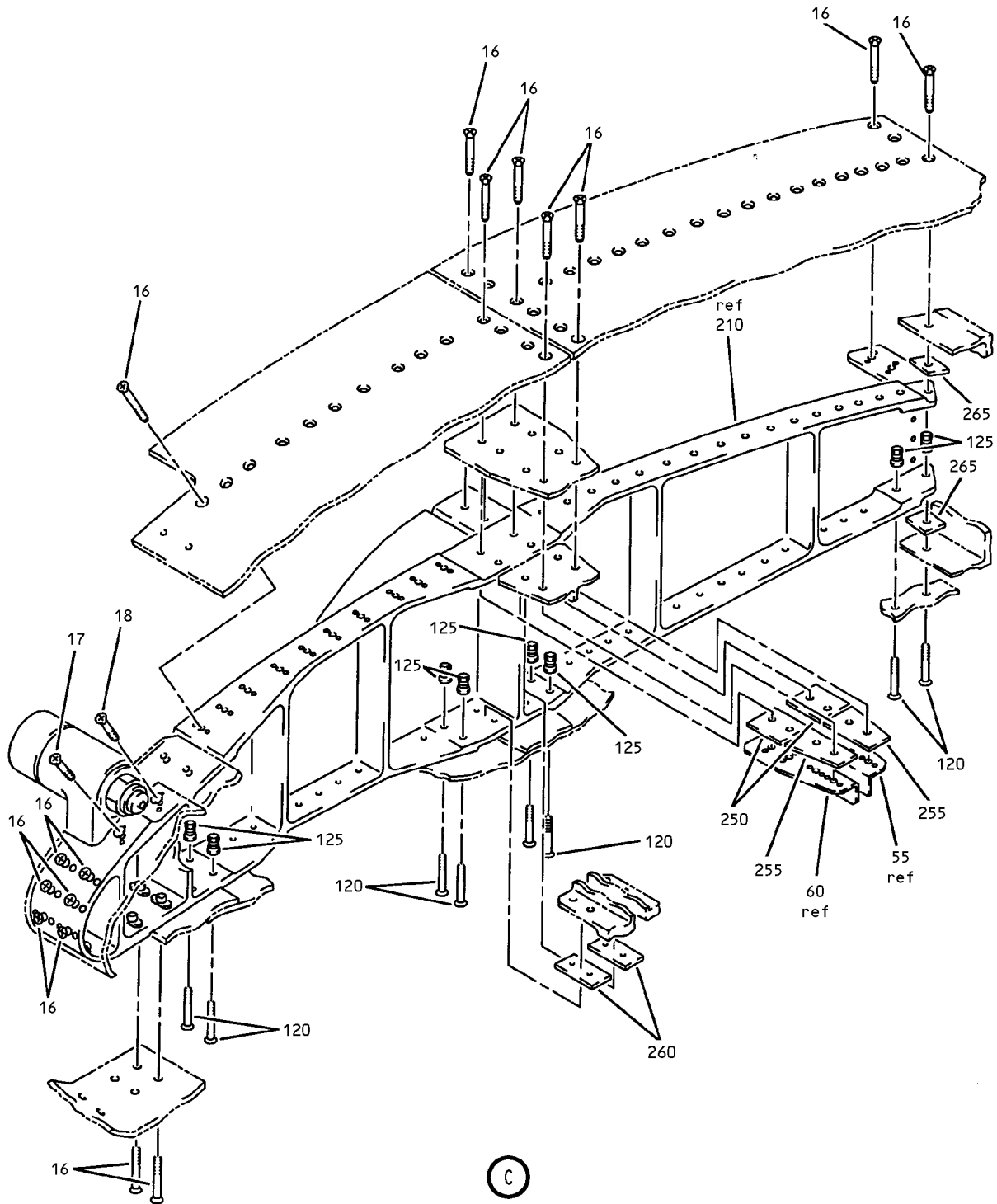
57-53-51
ILLUSTRATED PARTS LIST
01.101 Page 1052J
Nov 01/04



Inboard End Rib Installation
 Figure 2 (Sheet 2)

57-53-51

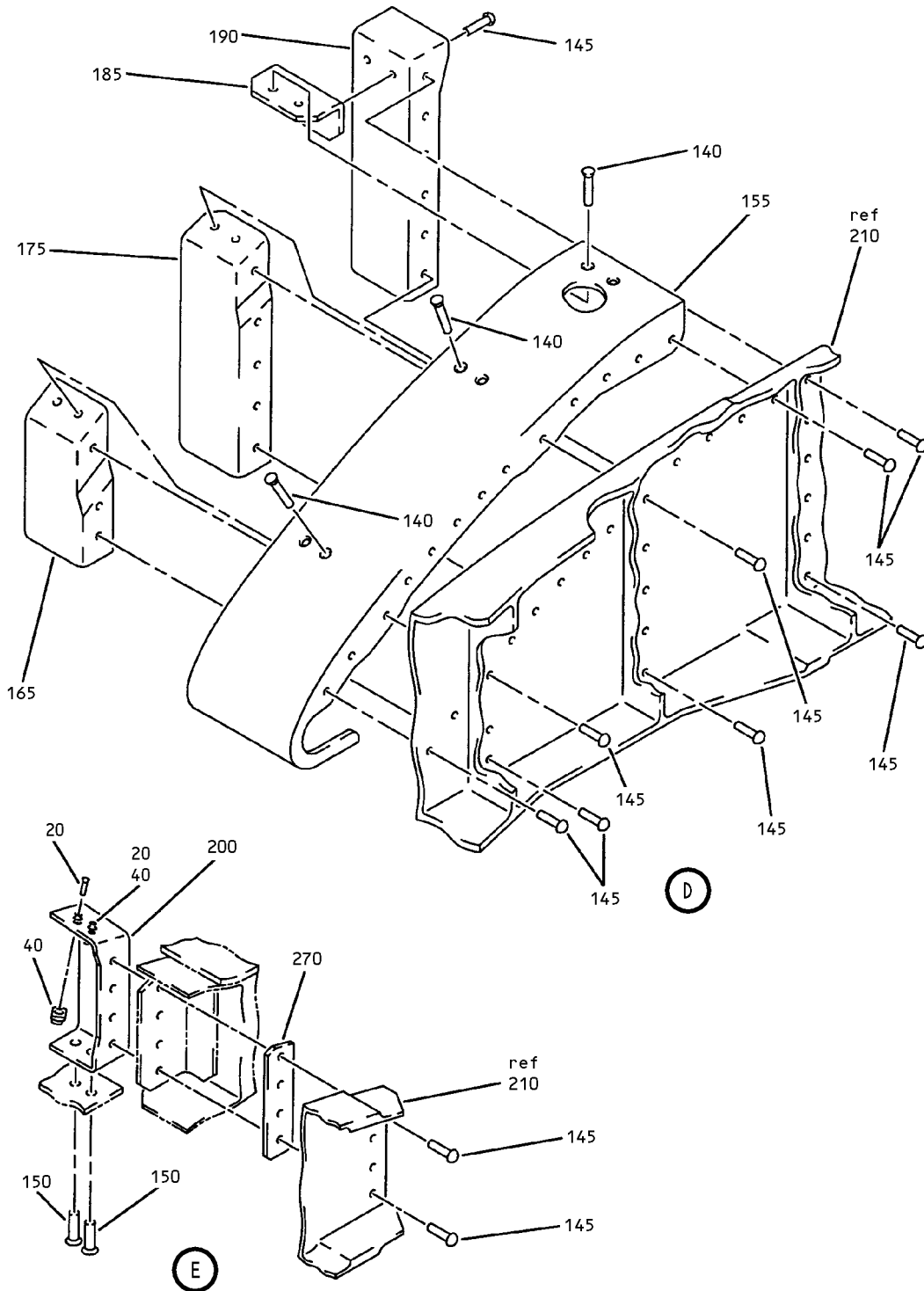
ILLUSTRATED PARTS LIST
 01.1 Page 1052K
 Nov 01/04



Inboard End Rib Installation
Figure 2 (Sheet 3)

57-53-51

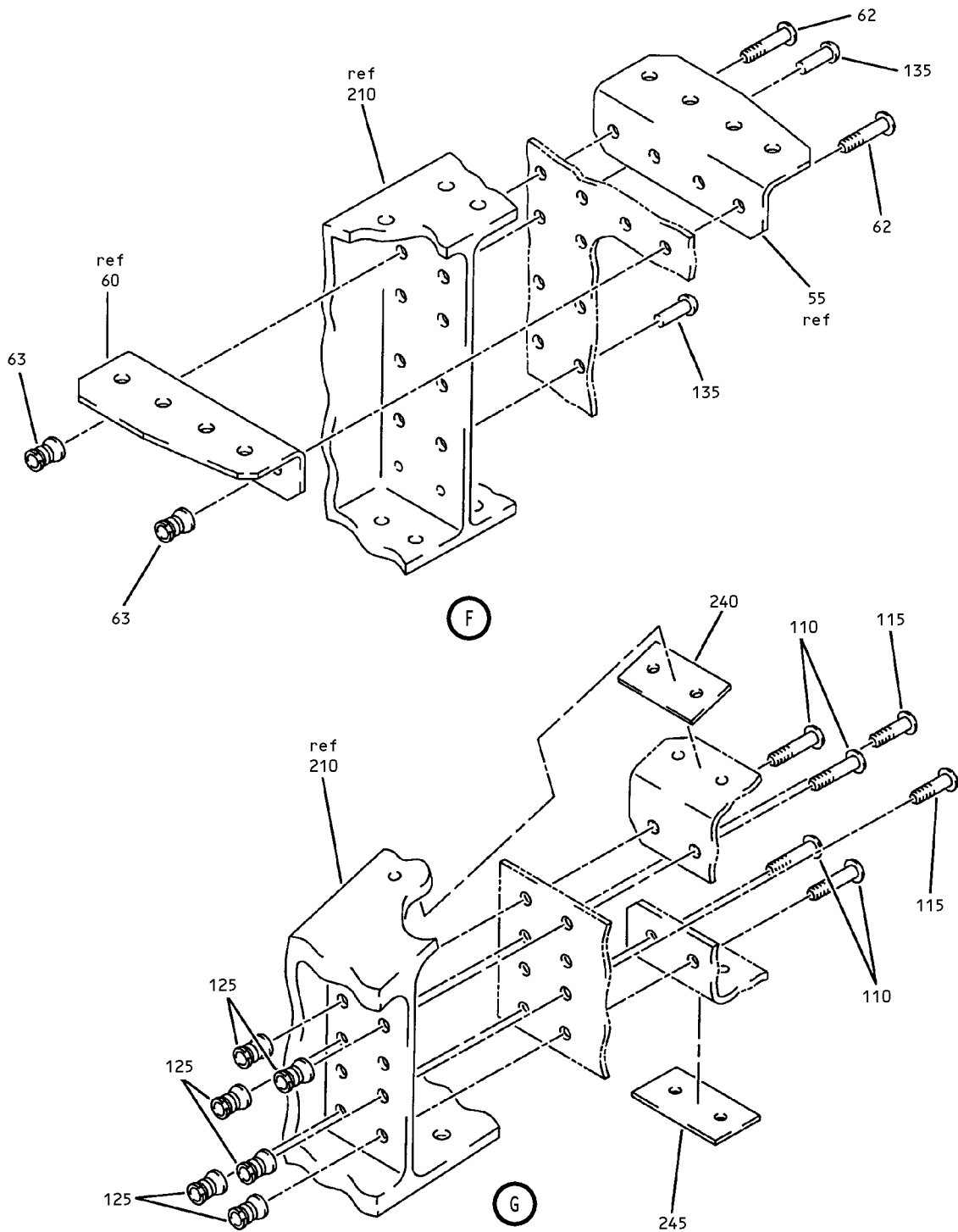
ILLUSTRATED PARTS LIST
01.101 Page 1052L
Nov 01/04



Inboard End Rib Installation
Figure 2 (Sheet 4)

57-53-51

ILLUSTRATED PARTS LIST
01.101 Page 1052M
Nov 01/04



Inboard End Rib Installation
 Figure 2 (Sheet 5)

57-53-51

ILLUSTRATED PARTS LIST
 01.101 Page 1052N
 Nov 01/04

BOEING
 COMPONENT
 MAINTENANCE MANUAL

FIG. & ITEM	PART NO.	AIRLINE PART NUMBER	NOMENCLATURE 1234567	EFF CODE	QTY PER ASSY
02- -1	113T3166-3		RIB INSTL-INBD END	B,E,G ,J,L N,Q,S ,U,W Y,AA AC,AE ,AG	RF
-5	113T3166-4		RIB INSTL-INBD END	D,F,H ,K,M P,R,T ,V,X Z,AB AD,AF ,AH	RF
-10	113T3166-5001		.RIB INSTL- (REPLD BY ITEM 10A)	B,E,G ,J,L N,Q,S ,U,W Y,AA AC,AE ,AG	1
-10A	113T3166-5003		.RIB INSTL- (REPLS ITEM 10)	B,E,G ,J,L N,Q,S ,U,W Y,AA AC,AE ,AG	1
-15	113T3166-5002		.RIB INSTL- (REPLD BY ITEM 15A)	D,F,H ,K,M P,R,T ,V,X Z,AB AD,AF ,AH	1
-15A	113T3166-5004		.RIB INSTL- (REPLS ITEM 15)	D,F,H ,K,M P,R,T ,V,X Z,AB AD,AF ,AH	1

57-53-51

ILLUSTRATED PARTS LIST
 01.1 Page 10520
 Nov 01/04

FIG. & ITEM	PART NO.	AIRLINE PART NUMBER	NOMENCLATURE 1234567	EFF CODE	QTY PER ASSY
02-16	BACB30NN3K8		..BOLT	B,D-A H	51
17	BACB30LR4-11		..BOLT	B,D-A H	1
18	BACB30NN4K11		..BOLT	B,D-A H	1
20	BACR15BA3AD		..RIVET- (SIZE DETERMINE ON INST)	B,D-A H	90
25	BACN10JQ32		..NUTPLATE	B,D-A H	6
30	BACN10JQ33		..NUTPLATE	B,D-A H	3
35	BACN10JQ34		..NUTPLATE	B,D-A H	2
40	BACN10JQ35		..NUTPLATE	B,D-A H	30
45	BACN10JQ43		..NUTPLATE	B,D-A H	2
50	BACN10JQ36		..NUTPLATE	B,D-A H	2
55	113T3177-1		..CLIP ASSY	B,D-A H	1
60	113T3177-2		..CLIP ASSY	B,D-A H	1
62	L8006K6		ATTACHING PARTS ..BOLT- (V06725) (SPEC BACB30MY6K6)	B,D-A H	4
63	HL79-6		..COLLAR- (V5M902) (SPEC BACC30M6) (OPT HL79-6 (V73197)) (OPT HL79-6 (V92215)) (OPT 66014-6 (V56878)) (OPT HL79-6 (V56878)) -----*	B,D-A H	4

57-53-51

 ILLUSTRATED PARTS LIST
 01.1 Page 1052P
 Nov 01/04


BOEING
 COMPONENT
 MAINTENANCE MANUAL

FIG. & ITEM	PART NO.	AIRLINE PART NUMBER	NOMENCLATURE 1234567	EFF CODE	QTY PER ASSY
02-65	BACR15BA3AD		...RIVET- (SIZE DETERMINE ON INST)	B,D-A H	8
70	BACN10JQ32		...NUTPLATE	B,D-A H	4
71	113T3177-5		...CLIP- (USED ON ITEM 55)	B,D-A H	1
72	113T3177-6		...CLIP- (USED ON ITEM 60)	B,D-A H	1
73	H10-1612BAC		..NUT- (V15653) (SPEC BACN10JC16) (OPT BMN4122A16 (V85495)) (OPT RMLH9074-16 (V72962)) (OPT 48FT1612 (V56878)) (OPT BMN4122AD3-16 (V97928))	B,D-A H	1
74	MS27111-10		..WASHER	B,D-A H	1
75	CFH370		DELETED		
75A	CR2XBC106		..BEARING- (V92563) (SPEC 60B00178-650)	B,D-A H	1
80	113T3133-1		DELETED		
-85	113T3133-2		DELETED		
90	113T3130-2		DELETED		
95	113T3130-3		DELETED		
100	MS27111-10		DELETED		
105	H10-1612BAC		DELETED		
110	BACB30MY6K5		..BOLT	B,D-A H	4
115	BACB30MY6K3		..BOLT	B,D-A H	4

57-53-51

 ILLUSTRATED PARTS LIST
 01.1 Page 1052Q
 Nov 01/04

FIG. & ITEM	PART NO.	AIRLINE PART NUMBER	NOMENCLATURE 1234567	EFF CODE	QTY PER ASSY
02-120	HL11VAZ6-6		..BOLT- (V60516) (SPEC BACB30NW6K6) (OPT B30NW6K6 (V97928)) (OPT HL11VAZ6-6 (V73197)) (OPT HL11VAZ6-6 (V92215)) (OPT HL11VAZ6-6 (V97928)) (OPT L803-6K6 (V06725)) (OPT HL11VAZ6-6 (V0PTK6)) (OPT HL11VAZ6-6 (V56878))	B,D-A H	8
125	HL79-6		..COLLAR- (V5M902) (SPEC BACC30M6) (OPT HL79-6 (V73197)) (OPT HL79-6 (V92215)) (OPT 66014-6 (V56878)) (OPT HL79-6 (V56878))	B,D-A H	16
130	BACR15CE6KE		..RIVET- (SIZE DETERMINE ON INST)	B,D-A H	27
135	BACR15FT6KE		..RIVET- (SIZE DETERMINE ON INST)	B,D-A H	6
140	BACR15BA6AD		..RIVET- (SIZE DETERMINE ON INST)	B,D-A H	6
145	BACR15FT6AD		..RIVET- (SIZE DETERMINE ON INST)	B,D-A H	31
150	BACR15CE6AD		..RIVET- (SIZE DETERMINE ON INST)	B,D-A H	2
155	113T3108-7		..FAIRING ASSY- (USED ON ITEM 10)	B,E,G ,J,L, N,Q,S ,U,W, Y,AA AC,AE ,AG	1

57-53-51

 ILLUSTRATED PARTS LIST
 01.1 Page 1052R
 Nov 01/04

BOEING
 COMPONENT
 MAINTENANCE MANUAL

FIG. & ITEM	PART NO.	AIRLINE PART NUMBER	NOMENCLATURE 1234567	EFF CODE	QTY PER ASSY
02- -155A	113T3108-1		..FAIRING ASSY- (USED ON ITEM 10A)	B,E,G ,J,L ,N,Q,S ,U,W ,Y,AA AC,AE ,AG	1
-160	113T3108-8		..FAIRING ASSY- (USED ON ITEM 15)	D,F,H ,K,M ,P,R,T ,V,X ,Z,AB AD,AF ,AH	1
-160A	113T3108-2		..FAIRING ASSY- (USED ON ITEM 15A)	D,F,H ,K,M ,P,R,T ,V,X ,Z,AB AD,AF ,AH	1
165	113T3175-13		..BRACKET	B,E,G ,J,L ,N,Q,S ,U,W ,Y,AA AC,AE ,AG	1
-170	113T3175-14		..BRACKET	D,F,H ,K,M ,P,R,T ,V,X ,Z,AB AD,AF ,AH	1
175	113T3175-15		..BRACKET	B,E,G ,J,L ,N,Q,S ,U,W ,Y,AA AC,AE ,AG	1

57-53-51

ILLUSTRATED PARTS LIST
 01.1 Page 1052S
 Nov 01/04

FIG. & ITEM	PART NO.	AIRLINE PART NUMBER	NOMENCLATURE 1234567	EFF CODE	QTY PER ASSY
02- -180	113T3175-16		..BRACKET	D,F,H ,K,M ,P,R,T ,V,X ,Z,AB ,AD,AF ,AH	1
185	113T3175-17		..ANGLE	B,D-A H	1
190	113T3175-9		..BRACKET	B,E,G ,J,L ,N,Q,S ,U,W ,Y,AA ,AC,AE ,AG	1
-195	113T3175-10		..BRACKET	D,F,H ,K,M ,P,R,T ,V,X ,Z,AB ,AD,AF ,AH	1
200	113T3175-11		..BRACKET- (USED ON ITEM 10)	B,E,G ,J,L ,N,Q,S ,U,W ,Y,AA ,AC,AE ,AG	1
-200A	113T3175-21		..BRACKET- (USED ON ITEM 10A)	B,E,G ,J,L ,N,Q,S ,U,W ,Y,AA ,AC,AE ,AG	1

57-53-51

 ILLUSTRATED PARTS LIST
 01.1 Page 1052T
 Nov 01/04


BOEING
 COMPONENT
 MAINTENANCE MANUAL

FIG. & ITEM	PART NO.	AIRLINE PART NUMBER	NOMENCLATURE 1234567	EFF CODE	QTY PER ASSY
02- -205	113T3175-12		..BRACKET- (USED ON ITEM 15)	D,F,H ,K,M P,R,T ,V,X Z,AB AD,AF ,AH	1
-205A	113T3175-22		..BRACKET- (USED ON ITEM 15A)	D,F,H ,K,M P,R,T ,V,X Z,AB AD,AF ,AH	1
210	113T3133-1		..RIB ASSY	B,E,G ,J,L N,Q,S ,U,W Y,AA AC,AE ,AG	1
-215	113T3133-2		..RIB ASSY	D,F,H ,K,M P,R,T ,V,X Z,AB AD,AF ,AH	1
220	113T3130-2		...BUSHING	B,D-A H	1
225	113T3130-3		...BUSHING	B,D-A H	1

57-53-51

ILLUSTRATED PARTS LIST

01.1 Page 1052U

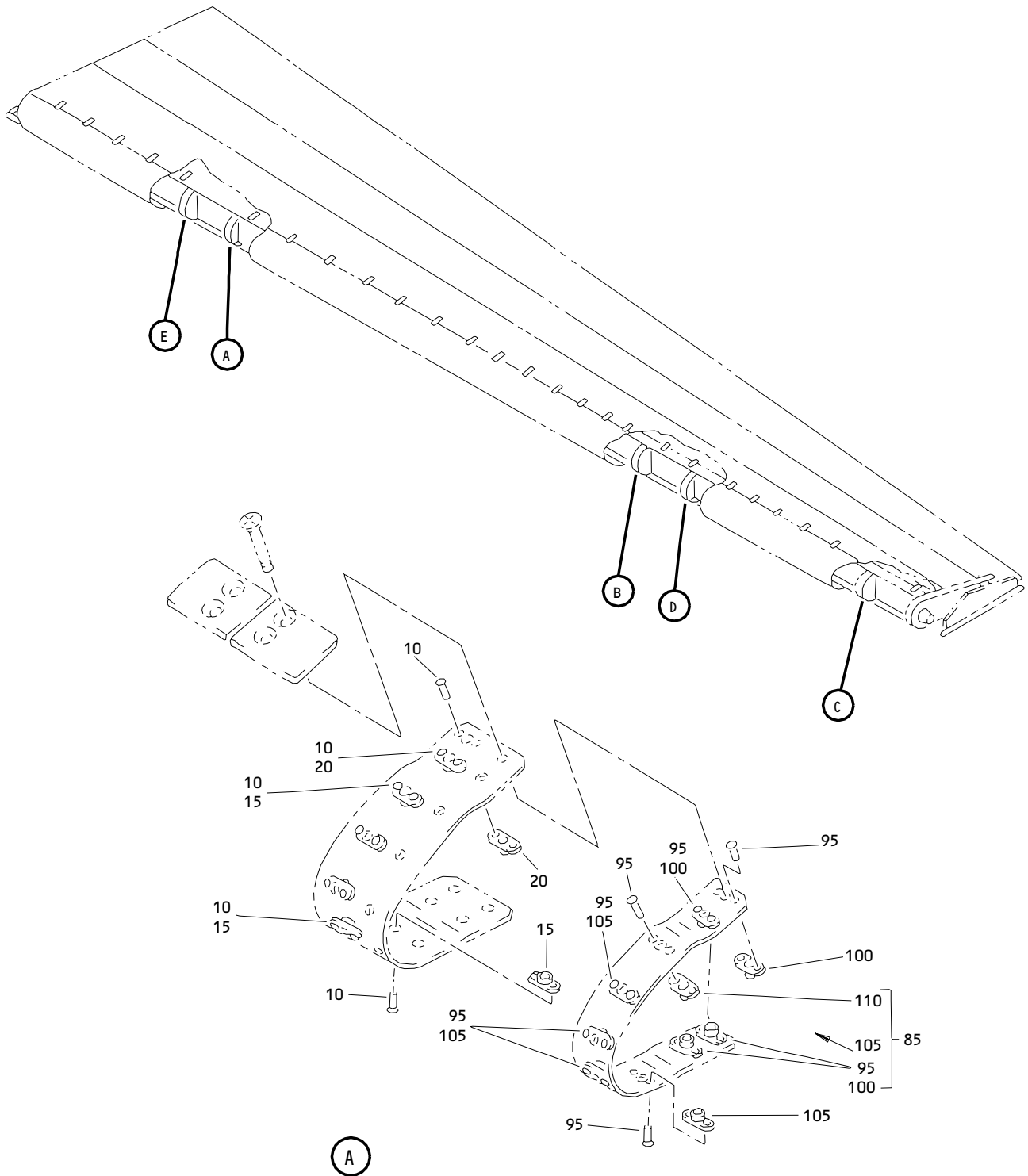
Nov 01/04

FIG. & ITEM	PART NO.	AIRLINE PART NUMBER	NOMENCLATURE 1234567	EFF CODE	QTY PER ASSY
02-230	113T3133-3		...RIB	B,E,G ,J,L, N,Q,S ,U,W, Y,AA AC,AE ,AG	1
-235	113T3133-4		...RIB	D,F,H ,K,M, P,R,T ,V,X, Z,AB AD,AF ,AH	1
240	BACS40R10C19F		..SHIM	B,D-A H	1
245	BACS40R09C19F		..SHIM	B,D-A H	1
250	BACS40R19B18F		..SHIM	B,D-A H	2
255	BACS40R16B20F		..SHIM	B,D-A H	2
260	BACS40R07E17F		..SHIM	B,D-A H	2
265	BACS40R09C09F		..SHIM	B,D-A H	2
270	BACS40R10B36F		..SHIM	B,D-A H	1

- Item Not Illustrated

57-53-51

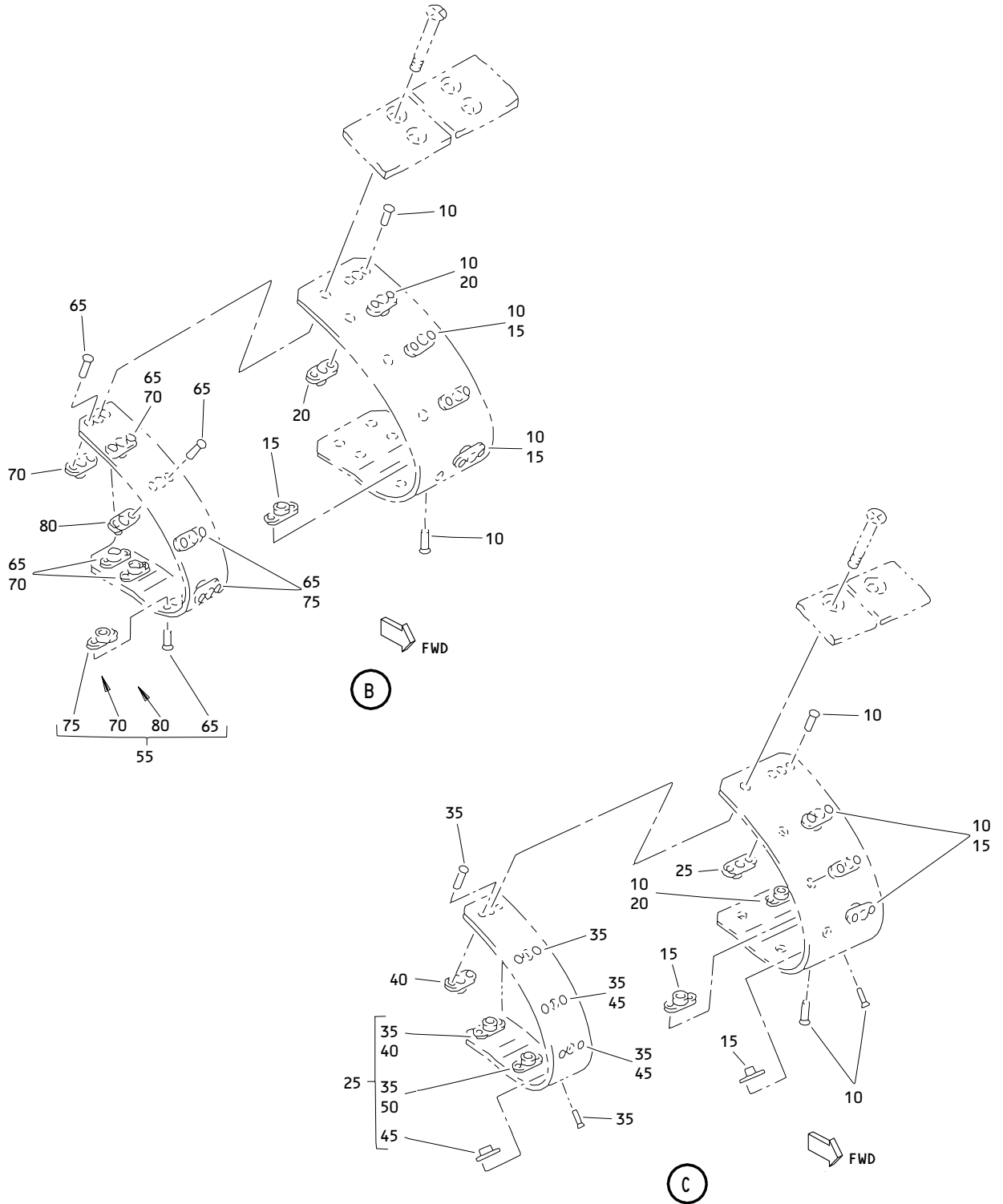
ILLUSTRATED PARTS LIST
 01.1 Page 1052V
 Nov 01/04



Leading Edge Installation (LH)
 Figure 3 (Sheet 1)

57-53-51

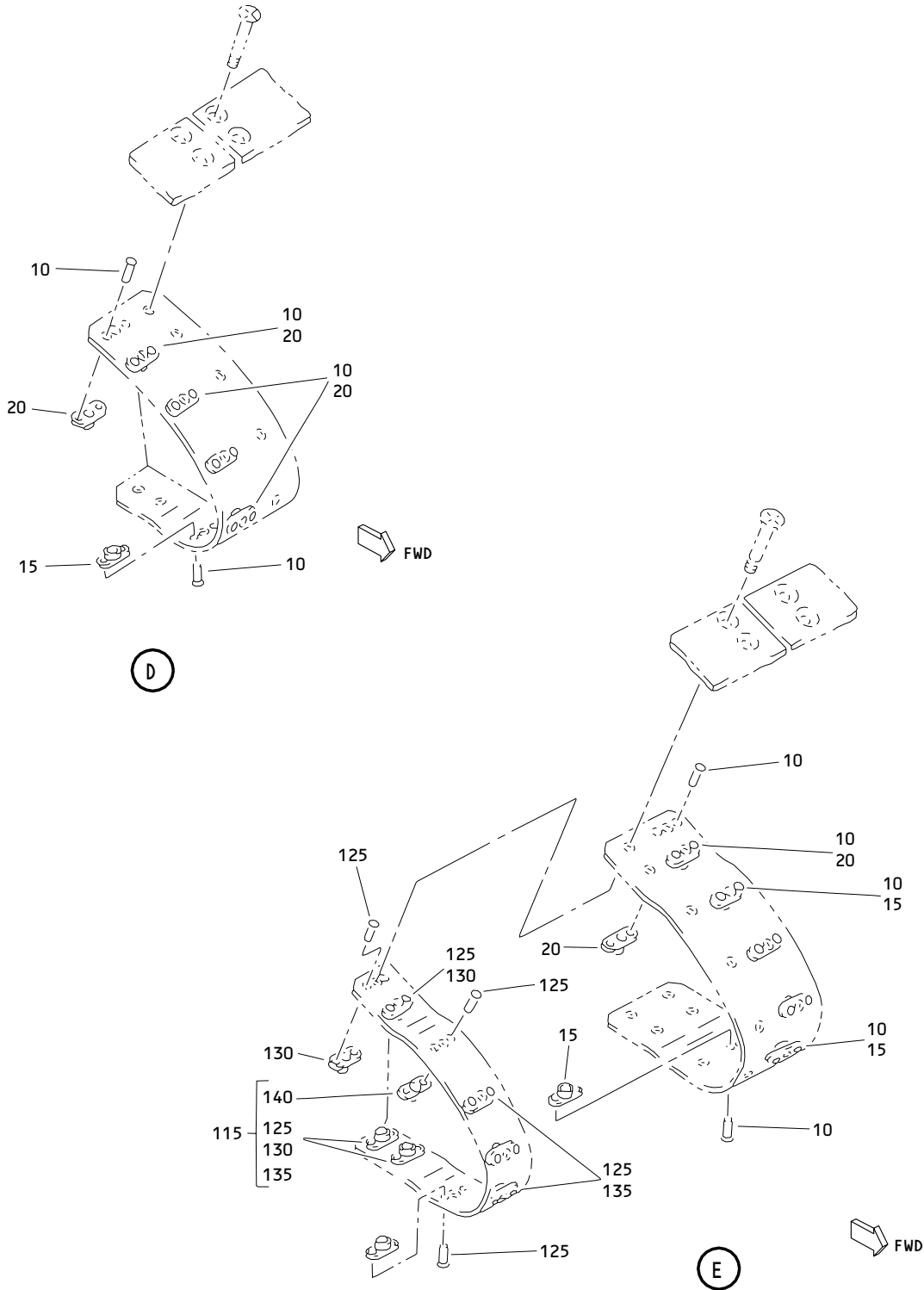
ILLUSTRATED PARTS LIST
 01.1 Page 1052X
 Nov 01/04



Leading Edge Installation (LH)
 Figure 3 (Sheet 2)

57-53-51

ILLUSTRATED PARTS LIST
 01.1 Page 1052Y
 Nov 01/04



Leading Edge Installation (LH)
 Figure 3 (Sheet 3)

57-53-51

ILLUSTRATED PARTS LIST
 01.1 Page 1052Z
 Nov 01/04


BOEING
 COMPONENT
 MAINTENANCE MANUAL

FIG. & ITEM	PART NO.	AIRLINE PART NUMBER	NOMENCLATURE 1234567	EFF CODE	QTY PER ASSY
03- -1	113T3112-7		EDGE INSTL-LEADING	J,U,W ,Y,AE ,AG	RF
-1A	113T3112-9		EDGE INSTL-LEADING (VARIABLE)	AA	RF
-1B	113T3112-11		EDGE INSTL-LEADING (VARIABLE)	AC	RF
-1C	113T3112-13G		EDGE INSTL-LEADING	AJ,AN ,AQ,A ,S,AW, AY	RF
-1D	113T3112-13J		EDGE INSTL-LEADING	AT	RF
-1E	113T3112-401G		EDGE INSTL-LEADING	AK,BB	RF
-1F	113T3112-5001		EDGE INSTL	A,B,E ,G,L, N,Q,S	RF
-5	113T3112-8		EDGE INSTL-LEADING	K,V,X ,Z,AF ,AH	RF
-5A	113T3112-10		EDGE INSTL-LEADING (VARIABLE)	AB	RF
-5B	113T3112-12		EDGE INSTL-LEADING (VARIABLE)	AD	RF
-5C	113T3112-14G		EDGE INSTL-LEADING	AL,AP ,AR,A U,AZ, BA	RF
-5D	113T3112-14J		EDGE INSTL-LEADING	AV	RF
-5E	113T3112-402G		EDGE INSTL-LEADING	AM,BC	RF
-5F	113T3112-5002		EDGE INSTL	C,D,F ,H,M, P,R,T	RF
10	BACR15BA3AD		.RIVET- (SIZE DETERMINE ON INST)		66
15	BACN10JQ35		.NUTPLATE	A-AJ, AL,A N-AW, AY-BA	23
-15A	MF19058-3-5BAC		.NUTPLATE- (V15653) (SPEC BACN10YF35)	AK,AM ,BB,B C	23
20	BACN10JQ34		.NUTPLATE	A-AJ, AL,A N-AW, AY-BA	10

57-53-51

ILLUSTRATED PARTS LIST

01.1

Page 1053

Nov 01/04

FIG. & ITEM	PART NO.	AIRLINE PART NUMBER	NOMENCLATURE 1234567	EFF CODE	QTY PER ASSY
03- -20A	MF19058-3-4BAC		.NUTPLATE- (V15653) (SPEC BACN10YF34)	AK,AM ,BB,B C	10
25	113T3111-9		.RIB ASSY	A,B,E ,G,J, L,N,Q ,S,U, W,Y AA,AC ,AE,A G,AJ, AK,AN ,AQ AS,AT ,AW,A Y,BB C,D,F ,H,K, M,P,R ,T,V, X,Z AB,AD ,AF,A H,AL, AM,AP ,AR AU,AV ,AZ, BA,BC	1
-30	113T3111-10		.RIB ASSY		1
35	BACR15BA3AD		..RIVET- (SIZE DETERMINE ON INST)		14
40	BACN10JQ33		..NUTPLATE		2
45	BACN10JQ34		..NUTPLATE		4
50	MF39453-4-7BAC		..NUTPLATE- (V15653) (SPEC BACN10JQ47) (OPT MT8260S428S7 (V11815))		1

57-53-51

ILLUSTRATED PARTS LIST

01.1

Page 1054

Nov 01/04

BOEING
 COMPONENT
 MAINTENANCE MANUAL

FIG. & ITEM	PART NO.	AIRLINE PART NUMBER	NOMENCLATURE	EFF CODE	QTY PER ASSY
03-55	113T3111-5		.RIB ASSY	A,B,E ,G,J, L,N,Q ,S,U, W,Y AA,AC ,AE,A G,AJ, AK,AN ,AQ AS,AT ,AW,A Y,BB	1
-60	113T3111-6		.RIB ASSY	C,D,F ,H,K, M,P,R ,T,V, X,Z AB,AD ,AF,A H,AL, AM,AP ,AR AU,AV ,AZ, BA,BC	1
65	BACR15BA3AD		..RIVET- (SIZE DETERMINE ON INST)		16
70	BACN10JQ33		..NUTPLATE		4
75	BACN10JQ34		..NUTPLATE		3
80	MF39453-4-7BAC		..NUTPLATE- (V15653) (SPEC BACN10JQ47) (OPT MT8260S428S7 (V11815))		1

57-53-51

ILLUSTRATED PARTS LIST
 01.1 Page 1054A
 Nov 01/04

FIG. & ITEM	PART NO.	AIRLINE PART NUMBER	NOMENCLATURE 1234567	EFF CODE	QTY PER ASSY
03-85	113T3111-3		.RIB ASSY	A,B,E ,G,J, L,N,Q ,S,U, W,Y AA,AC ,AE,A G,AJ, AK,AN ,AQ AS,AT ,AW,A Y,BB	1
-90	113T3111-4		.RIB ASSY	C,D,F ,H,K, M,P,R ,T,V, X,Z AB,AD ,AF,A H,AL, AM,AP ,AR AU,AV ,AZ, BA,BC	1
95	BACR15BA3AD		..RIVET- (SIZE DETERMINE ON INST)		18
100	BACN10JQ33		..NUTPLATE		4
105	BACN10JQ34		..NUTPLATE		4

57-53-51

 ILLUSTRATED PARTS LIST
 01.1 Page 1054B
 Nov 01/04

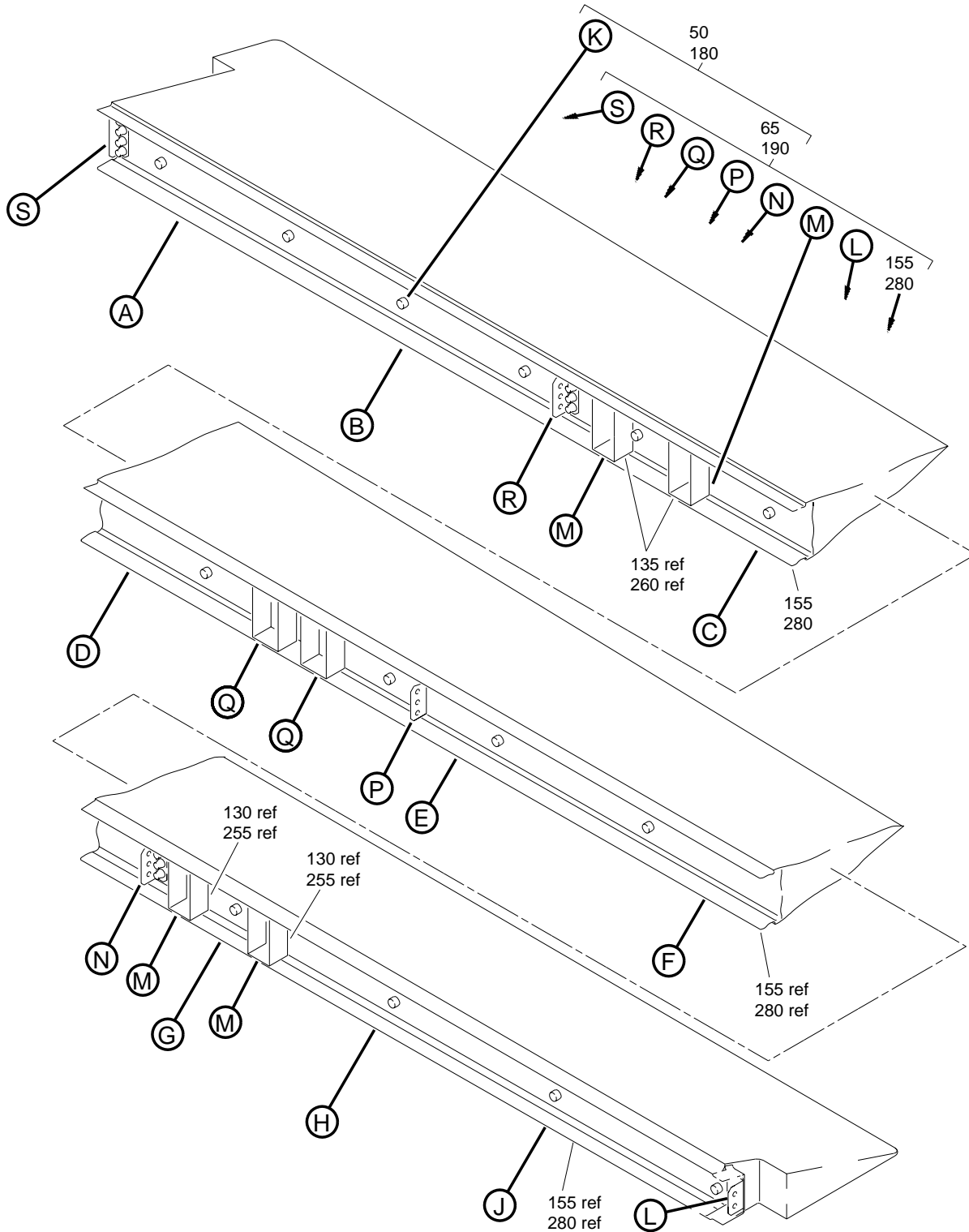
BOEING
 COMPONENT
 MAINTENANCE MANUAL

FIG. & ITEM	PART NO.	AIRLINE PART NUMBER	NOMENCLATURE 1234567	EFF CODE	QTY PER ASSY
03-110	MF39453-4-7BAC		..NUTPLATE- (V15653) (SPEC BACN10JQ47) (OPT MT8260S428S7 (V11815))		1
115	113T3111-1		.RIB ASSY	A,B,E ,G,J, L,N,Q ,S,U, W,Y AA,AC ,AE,A G,AJ, AK,AN ,AW AS,AT ,AW,A Y,BB	1
-120	113T3111-2		.RIB ASSY	C,D,F ,H,K, M,P,R ,T,V, X,Z AB,AD ,AF,A H,AL, AM,AP ,AR AU,AV ,AZ, BA,BC	1
125	BACR15BA3AD		..RIVET- (SIZE DETERMINE ON INST)		18
130	BACN10JQ33		..NUTPLATE		4
135	BACN10JQ34		..NUTPLATE		4
140	MF39453-4-7BAC		..NUTPLATE- (V15653) (SPEC BACN10JQ47) (OPT MT8260S428S7 (V11815))		1

- Item Not Illustrated

57-53-51

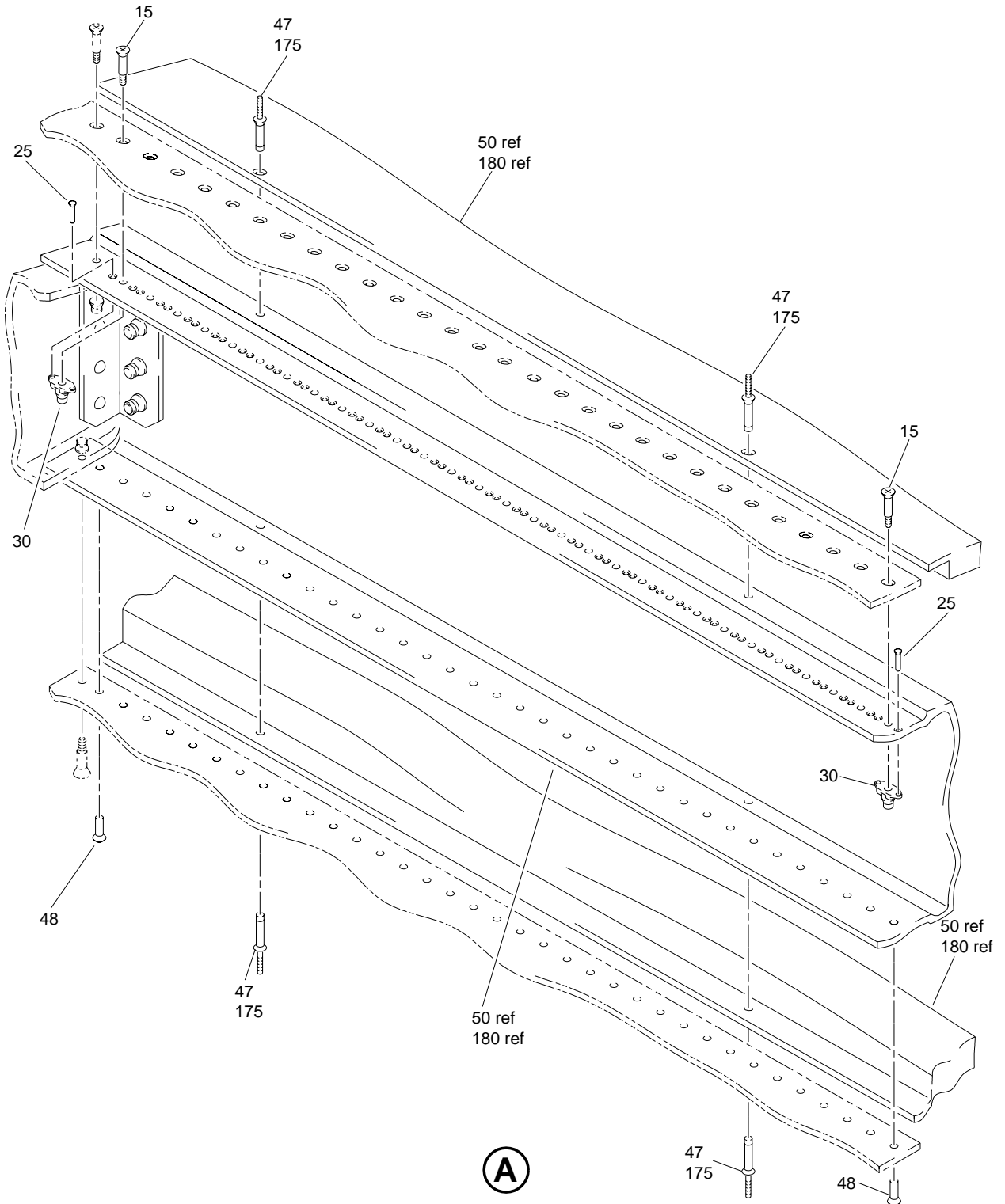
ILLUSTRATED PARTS LIST
 01.1 Page 1054C
 Nov 01/04



Trailing Edge Wedge Installation
 Figure 4 (Sheet 1)

57-53-51

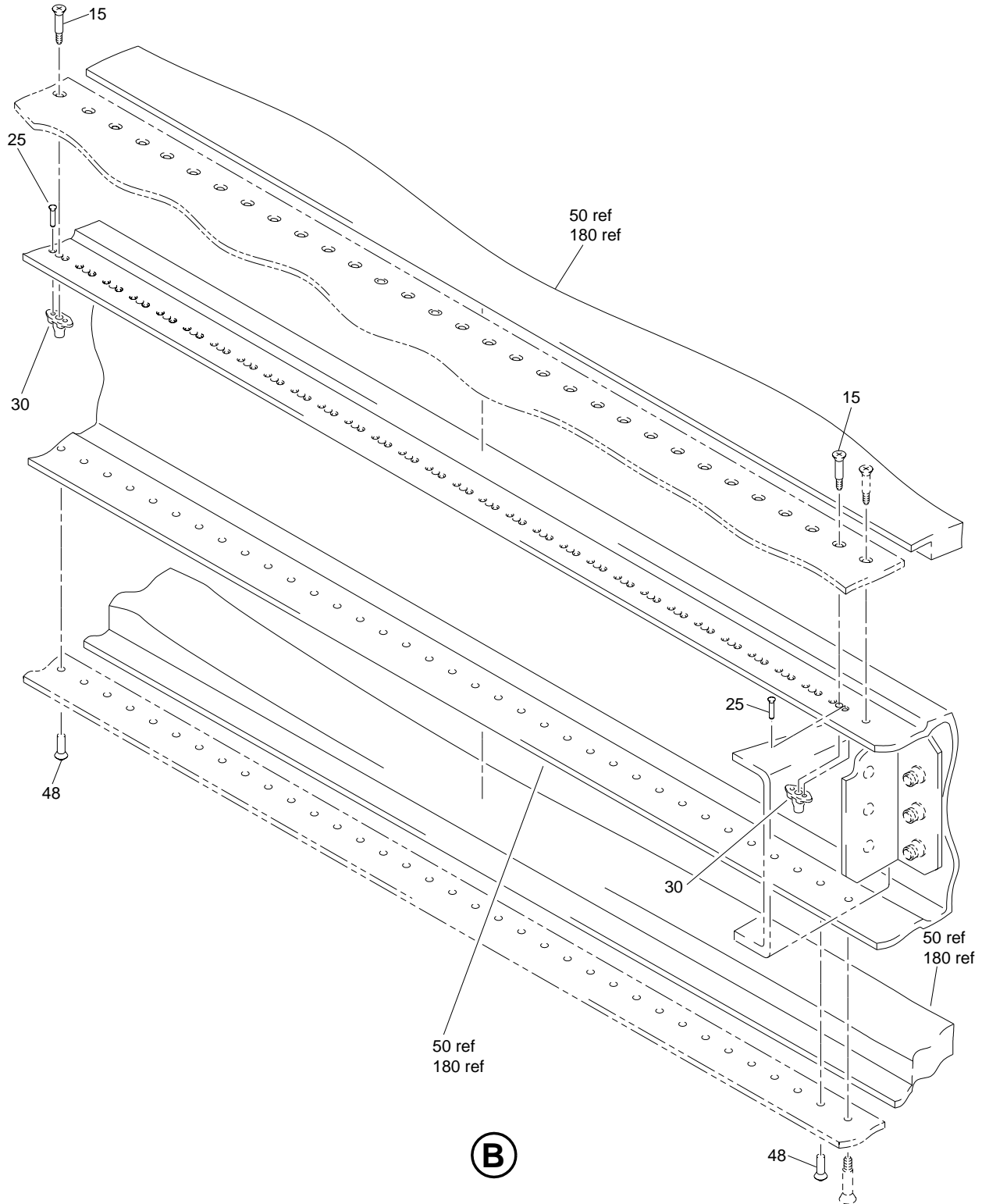
ILLUSTRATED PARTS LIST
 01.1 Page 1054D
 Nov 01/04



Trailing Edge Wedge Installation
Figure 4 (Sheet 2)

57-53-51

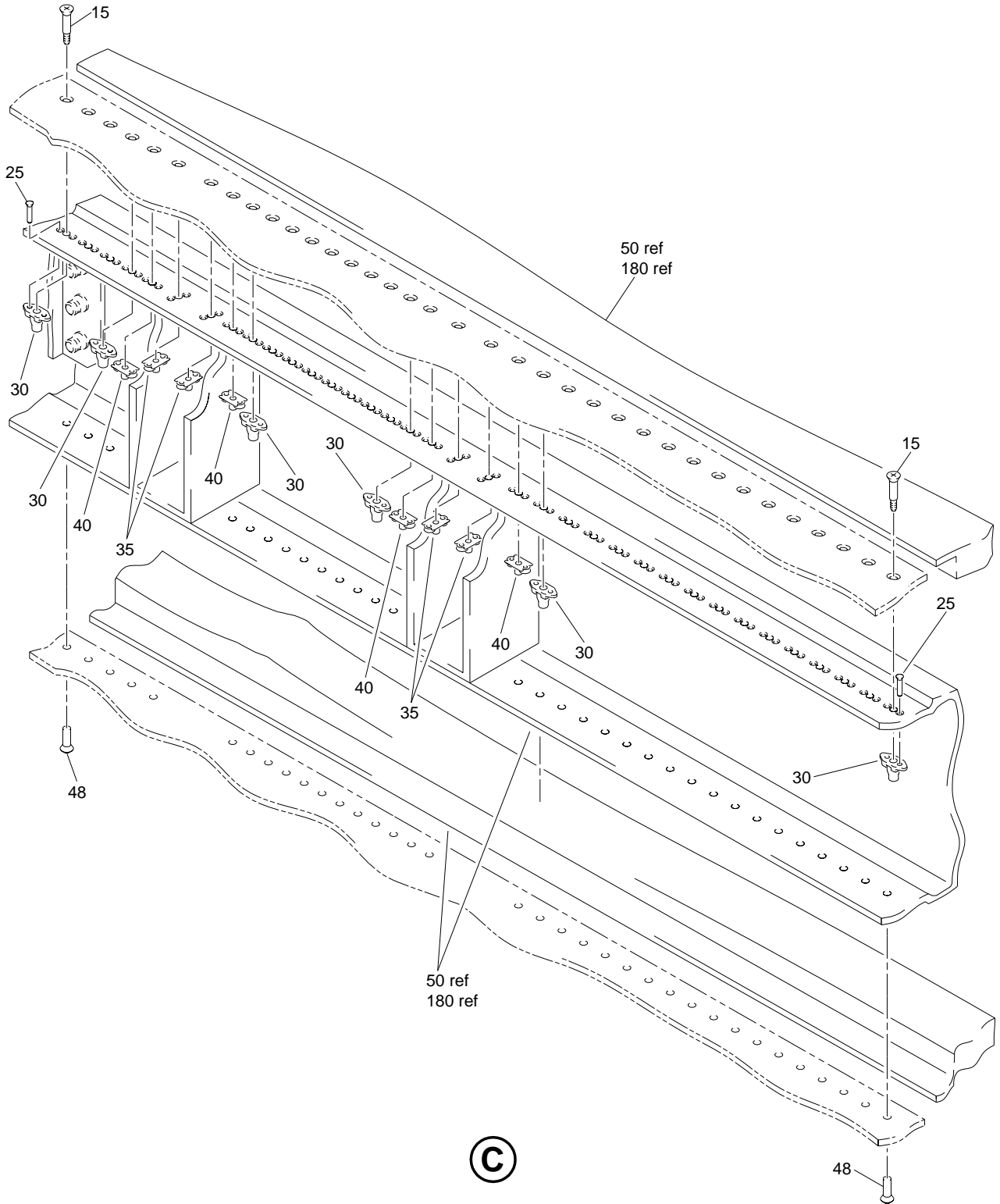
ILLUSTRATED PARTS LIST
01.1 Page 1054E
Nov 01/04



Trailing Edge Wedge Installation
 Figure 4 (Sheet 3)

57-53-51

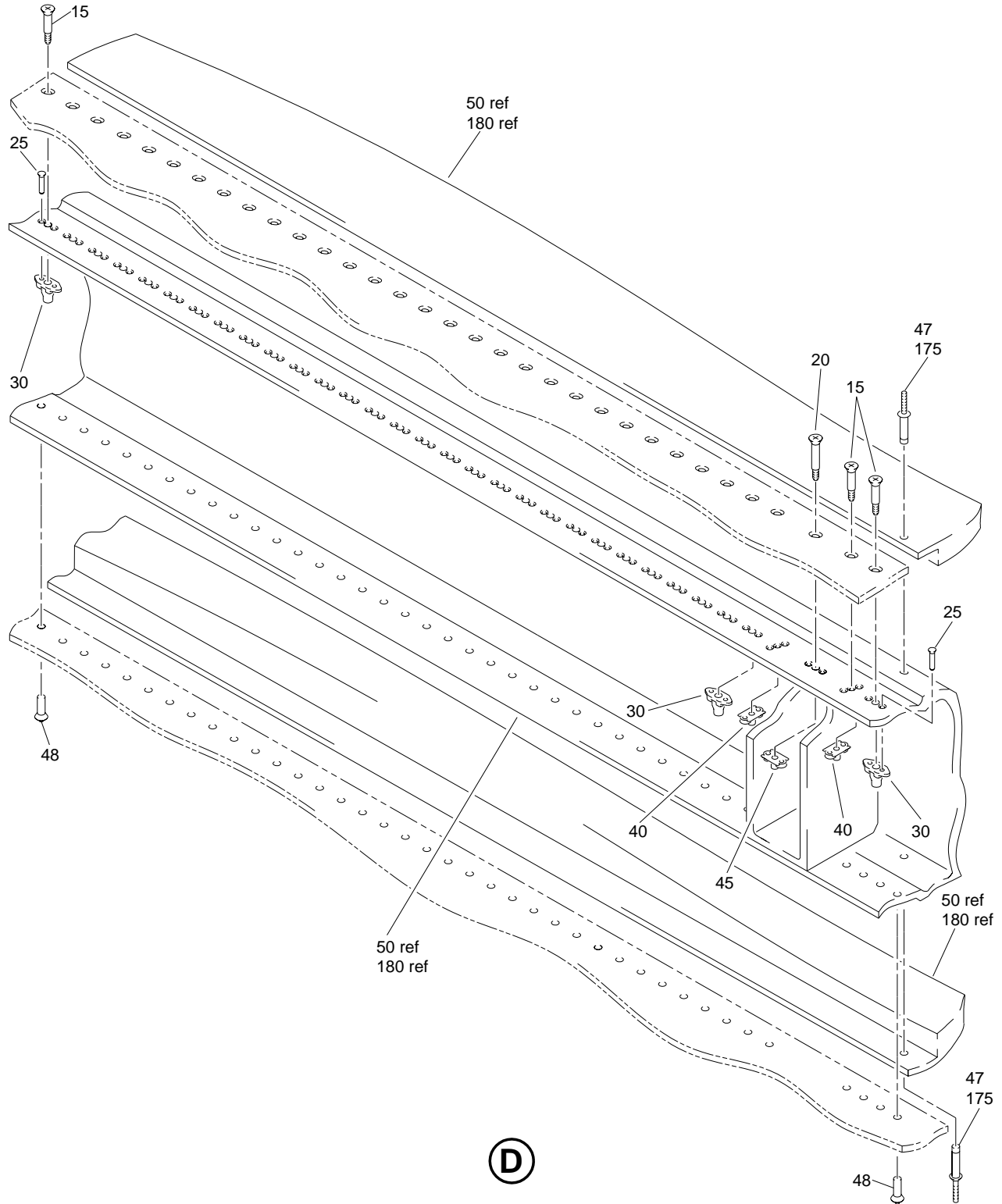
ILLUSTRATED PARTS LIST
 01.1 Page 1054F
 Nov 01/04



Trailing Edge Wedge Installation
Figure 4 (Sheet 4)

57-53-51

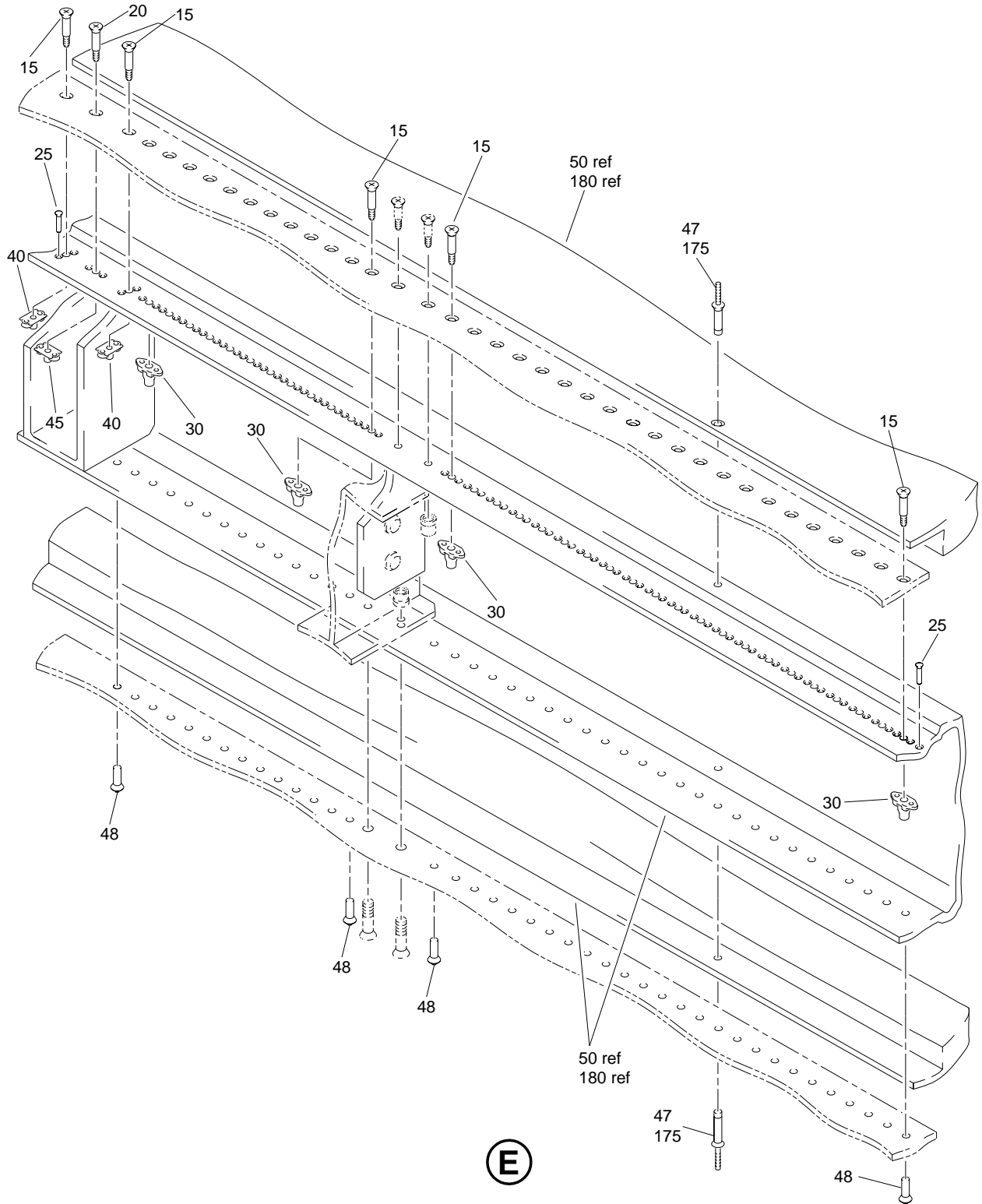
ILLUSTRATED PARTS LIST
01.1 Page 1054G
Nov 01/04



Trailing Edge Wedge Installation
Figure 4 (Sheet 5)

57-53-51

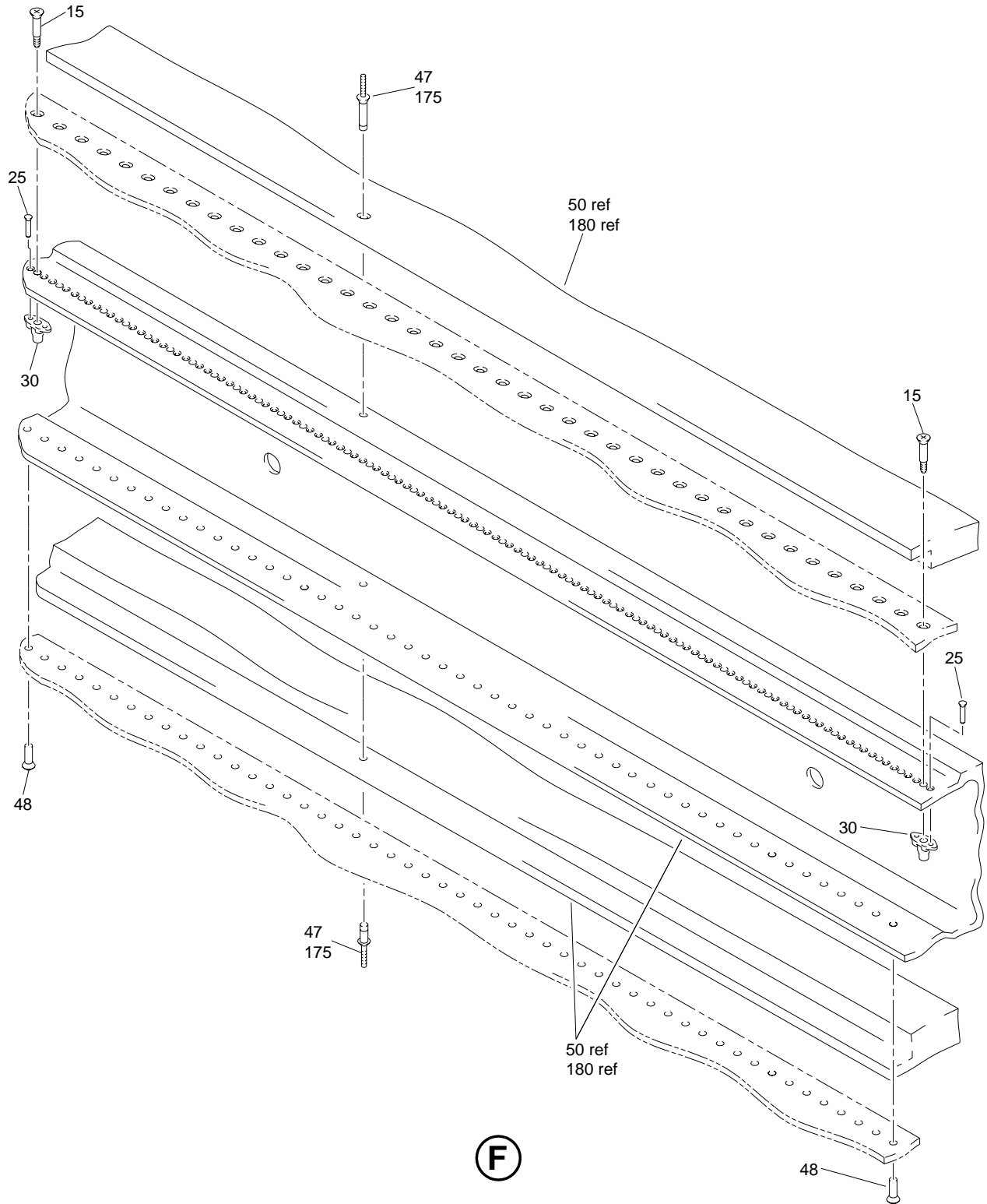
ILLUSTRATED PARTS LIST
01.1 Page 1054H
Nov 01/04



Trailing Edge Wedge Installation
Figure 4 (Sheet 6)

57-53-51

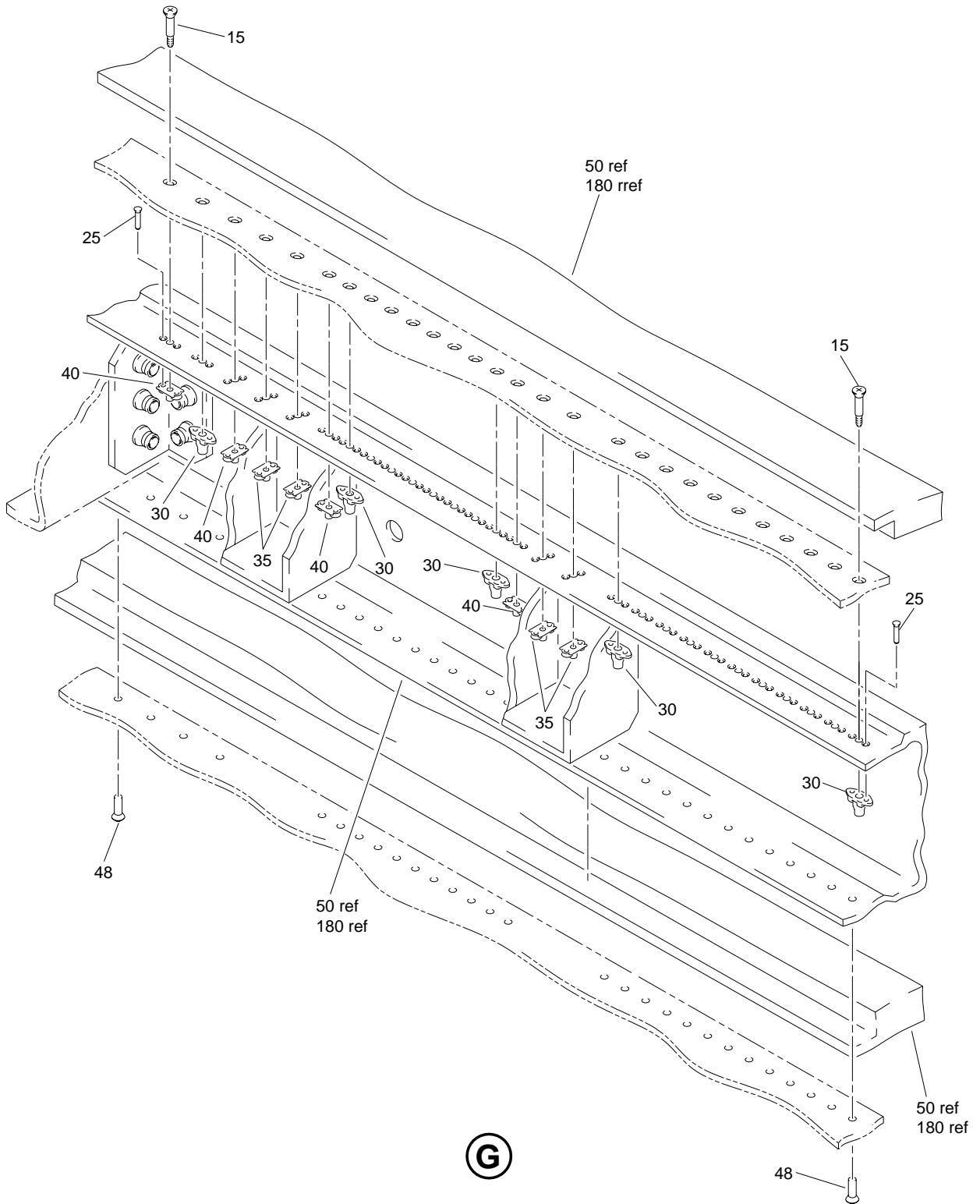
ILLUSTRATED PARTS LIST
01.1 Page 1054I
Nov 01/04



Trailing Edge Wedge Installation
 Figure 4 (Sheet 7)

57-53-51

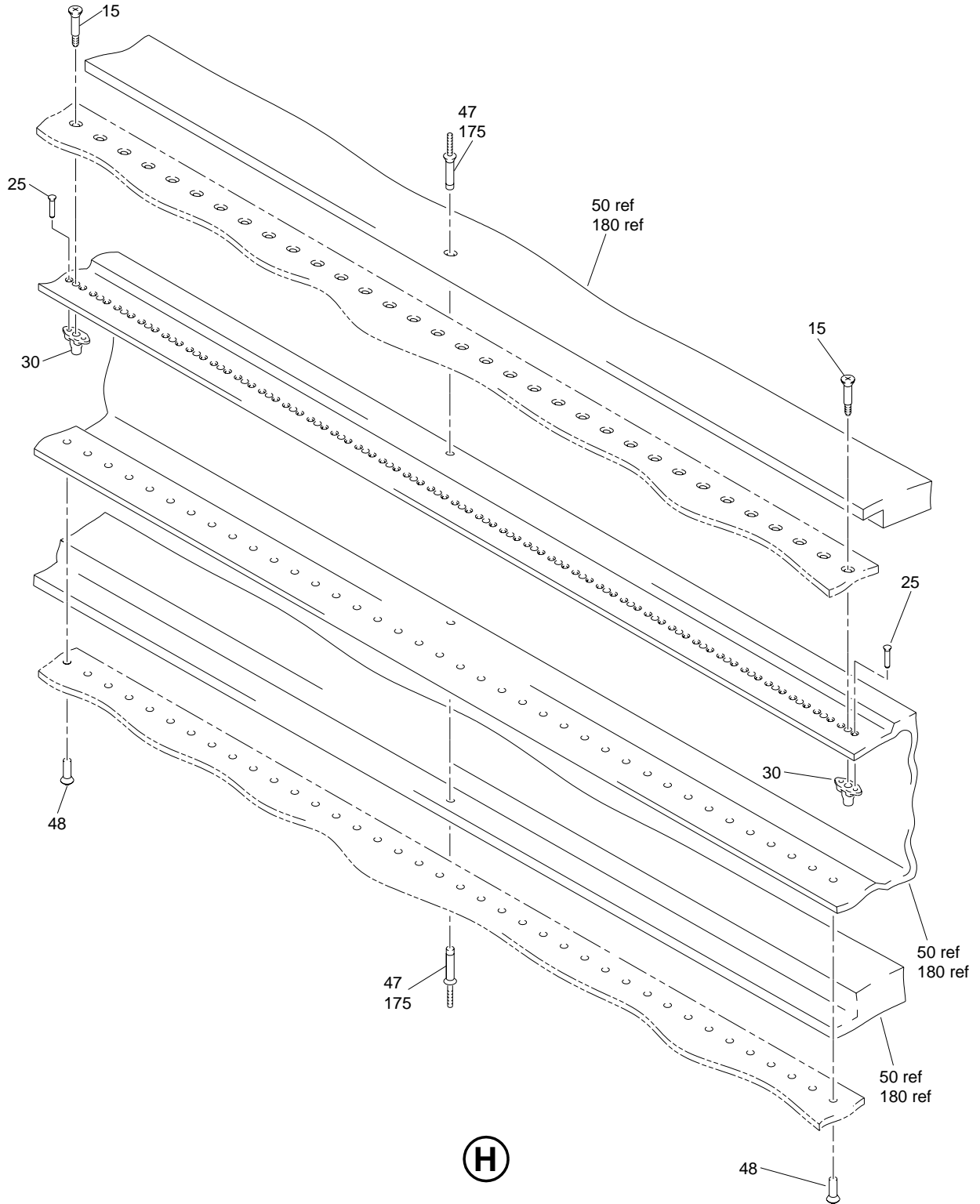
ILLUSTRATED PARTS LIST
 01.1 Page 1054J
 Nov 01/04



Trailing Edge Wedge Installation
Figure 4 (Sheet 8)

57-53-51

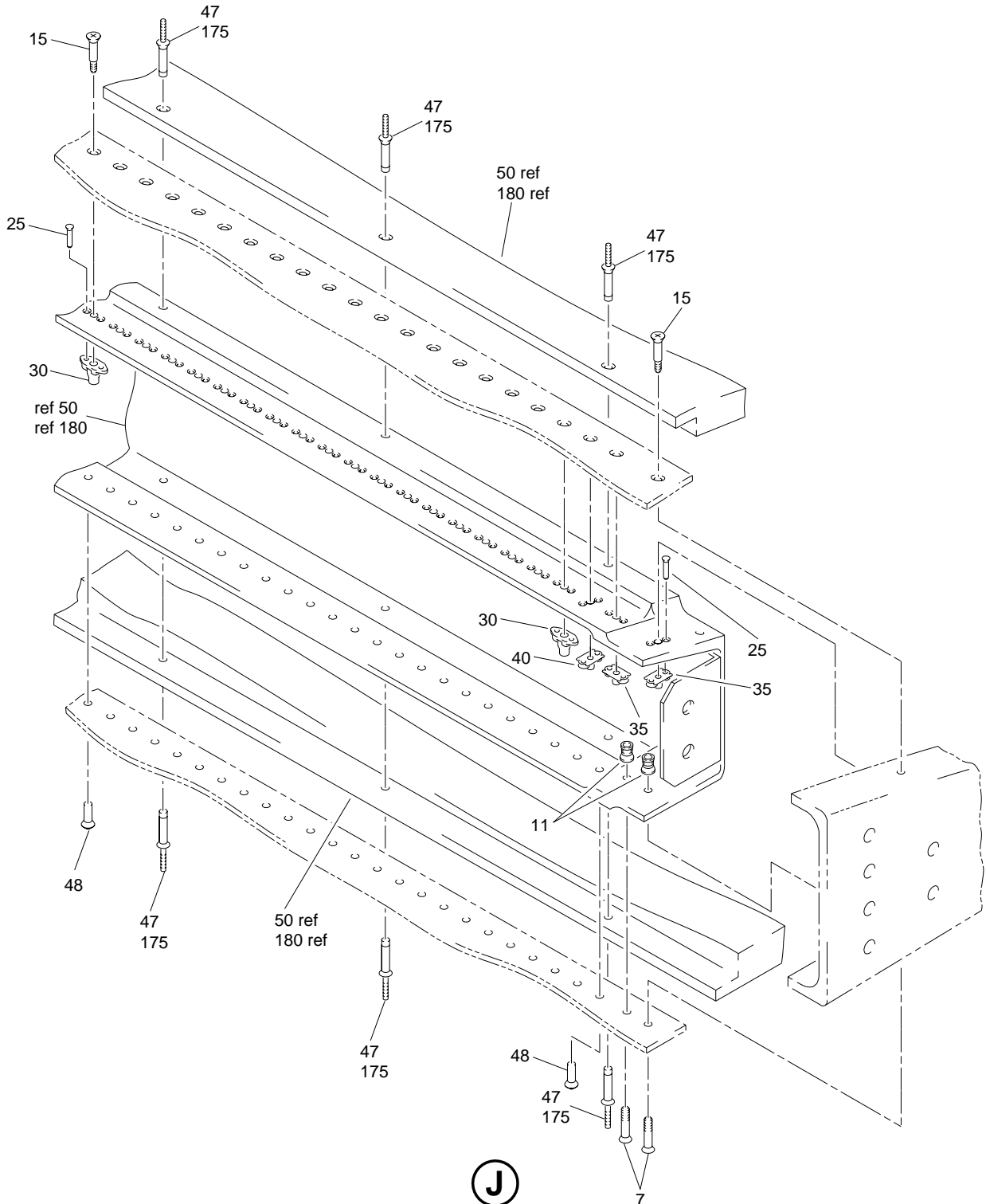
ILLUSTRATED PARTS LIST
01.1 Page 1054K
Nov 01/04



Trailing Edge Wedge Installation
Figure 4 (Sheet 9)

57-53-51

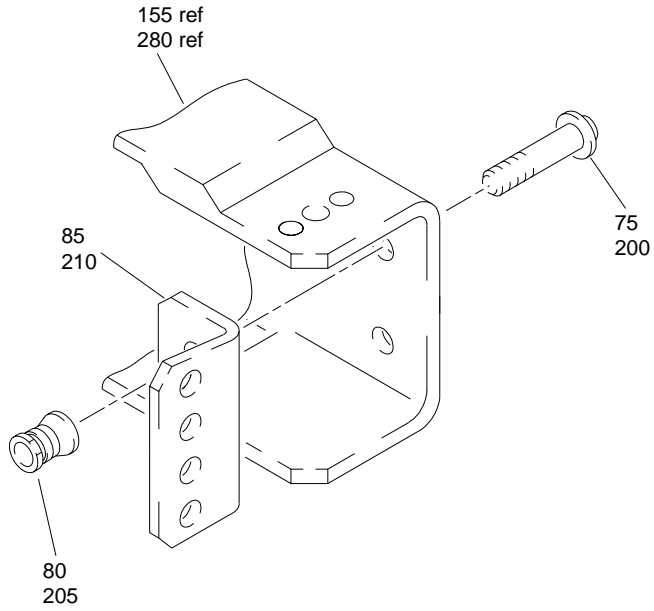
ILLUSTRATED PARTS LIST
01.1 Page 1054L
Nov 01/04



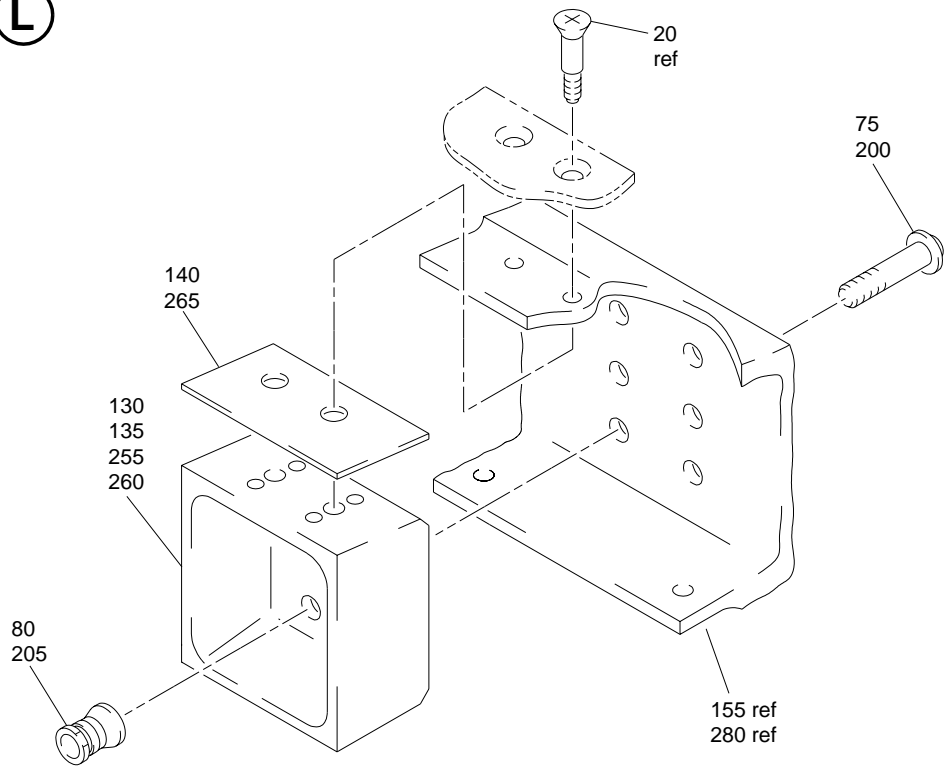
Trailing Edge Wedge Installation
Figure 4 (Sheet 10)

57-53-51

ILLUSTRATED PARTS LIST
01.1 Page 1054M
Nov 01/04



(L)

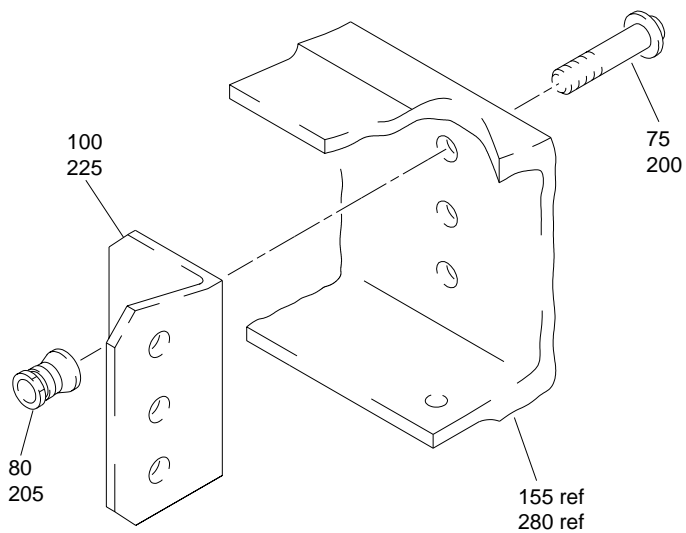
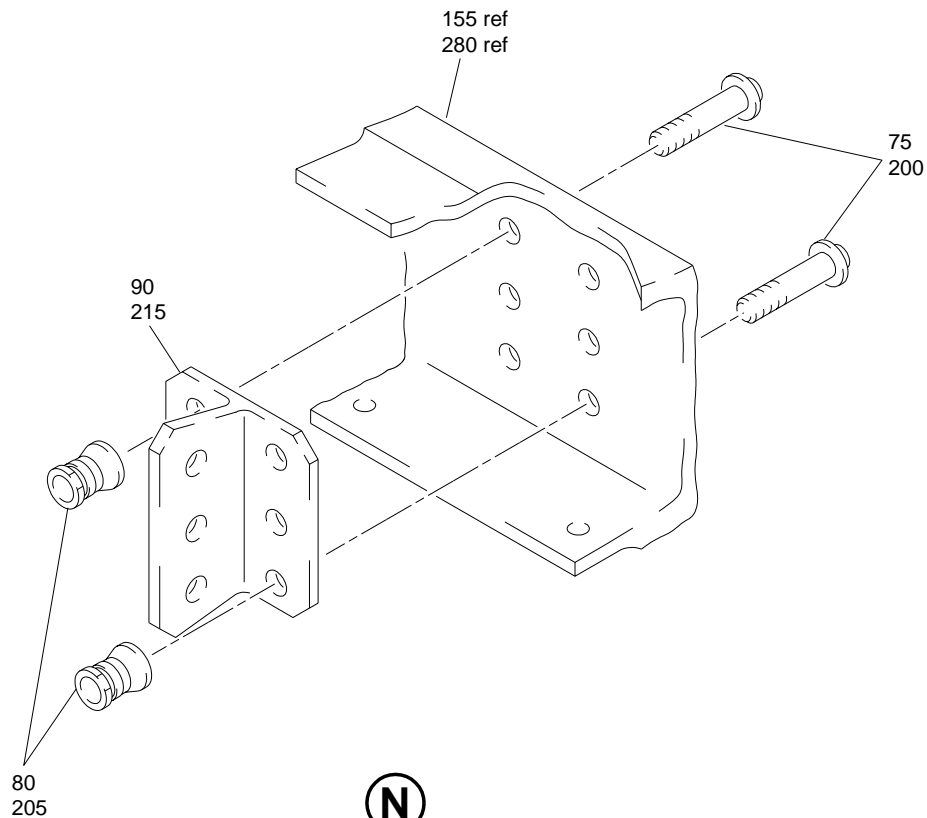


(M)

Trailing Edge Wedge Installation
Figure 4 (Sheet 12)

57-53-51

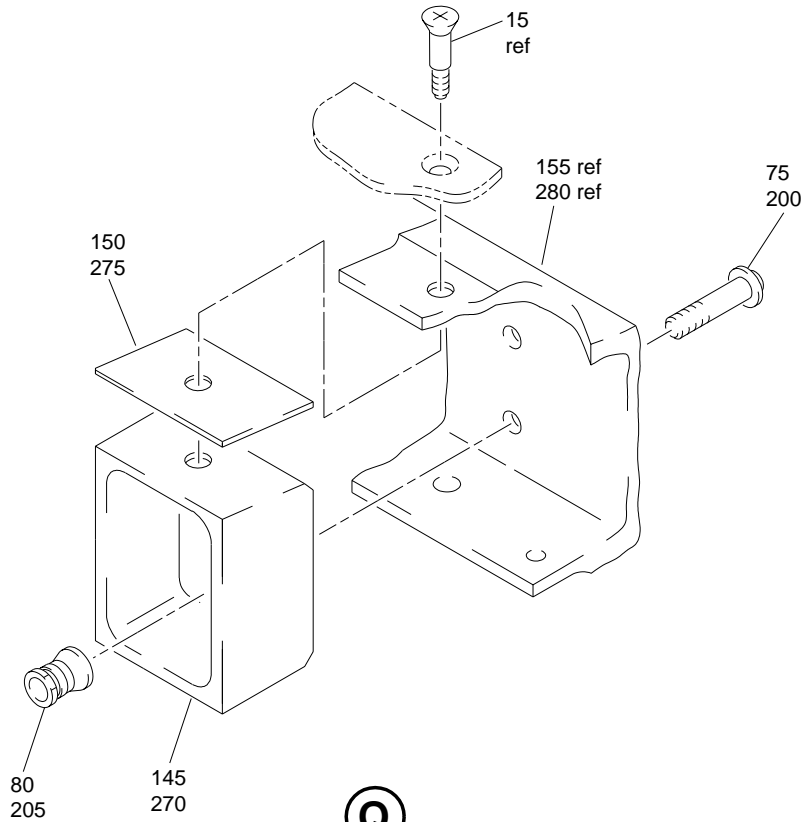
ILLUSTRATED PARTS LIST
01.1 Page 10540
Nov 01/04



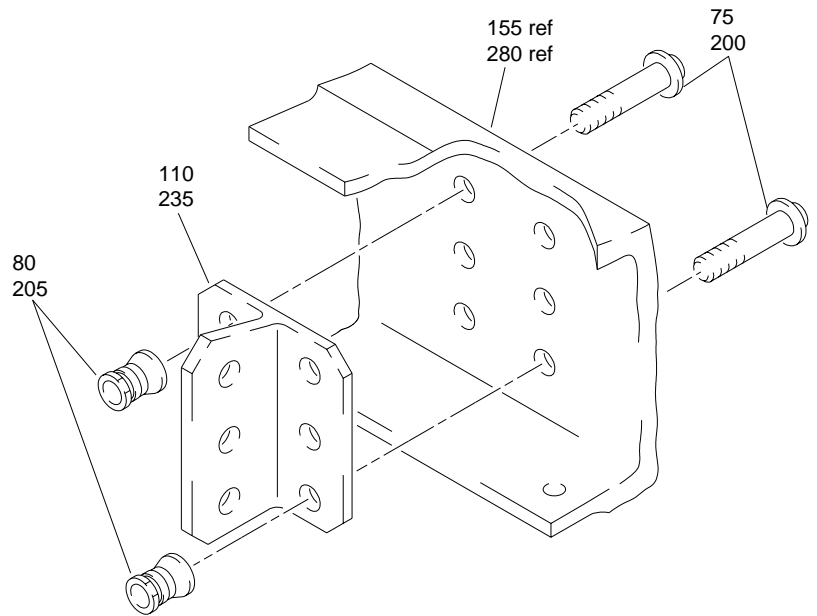
Trailing Edge Wedge Installation
 Figure 4 (Sheet 13)

57-53-51

ILLUSTRATED PARTS LIST
 01.1 Page 1054P
 Nov 01/04



Q

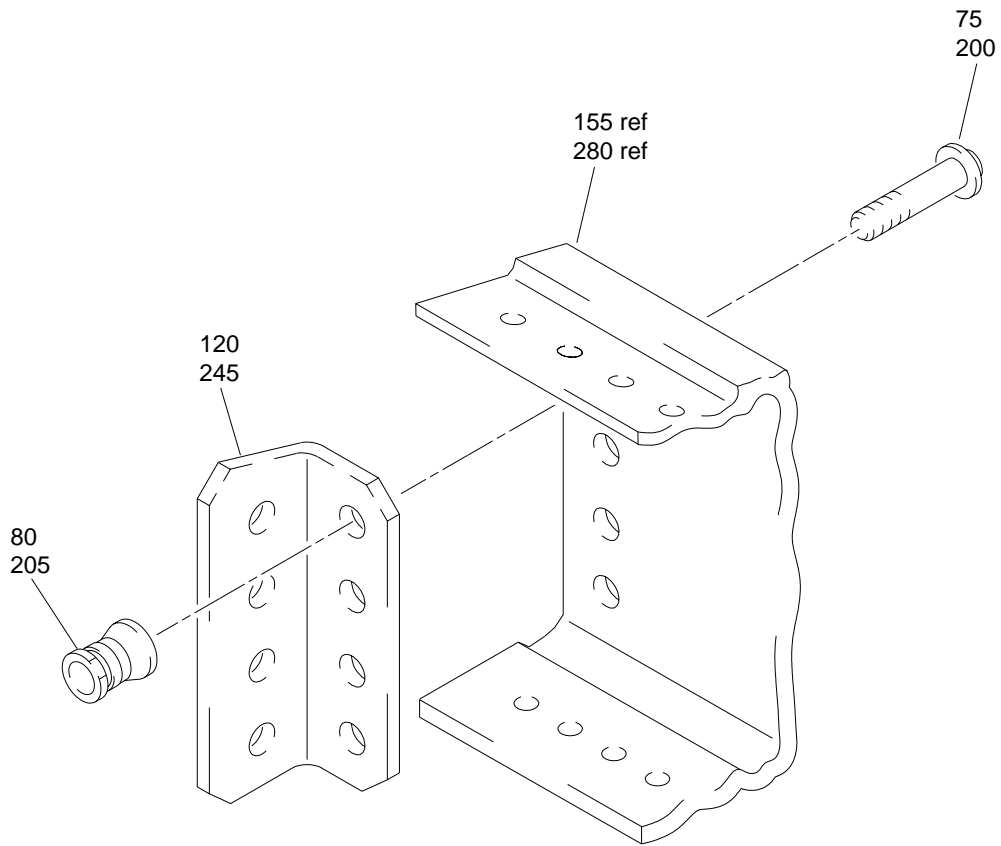


R

Trailing Edge Wedge Installation
Figure 4 (Sheet 14)

57-53-51

ILLUSTRATED PARTS LIST
01.1 Page 1054Q
Nov 01/04



Trailing Edge Wedge Installation
Figure 4 (Sheet 15)

57-53-51

ILLUSTRATED PARTS LIST
01.1 Page 1054R
Nov 01/04


BOEING
 COMPONENT
 MAINTENANCE MANUAL

FIG. & ITEM	PART NO.	AIRLINE PART NUMBER	NOMENCLATURE 1234567	EFF CODE	QTY PER ASSY
04- -1A	113T3160-67		WEDGE INSTL-TE	AE,AG ,AJ,A N,AQ, AS,AT ,AW AY	RF
-1B	113T3160-5001		WEDGE INSTL- (LIMITED)	A,B,E ,G,J, L,N,Q ,S,U, W,Y AA,AC	RF
-1C	113T3160-5003		WEDGE INSTL- (LIMITED)	A,B,E ,G,J, L,N,Q ,S,U, W,Y AA,AC	RF
-1D	113T3160-5005		WEDGE INSTL- (LIMITED) (PRE SB 767-57-0061)	A,B,E ,G,J, L,N,Q ,S,U, W,Y AA,AC	RF
-1E	113T3160-5007		WEDGE INSTL- (LIMITED) (PRE SB 767-57-0061)	A,B,E ,G,J, L,N,Q ,S,U, W,Y AA,AC	RF
-1F	113T3160-33		WEDGE INSTL-TE	AA,AC G	RF

57-53-51

ILLUSTRATED PARTS LIST

01.1 Page 1054S

Nov 01/04

FIG. & ITEM	PART NO.	AIRLINE PART NUMBER	NOMENCLATURE 1234567	EFF CODE	QTY PER ASSY
04- -1G	113T3160-77		WEDGE INSTL- (POST SB 767-57-0061)	A,B,E ,G,J, L,N,Q ,S,U, W,Y AA,AC	RF
R -1H	113T3160-51		WEDGE INSTL- (PRE SB 767-57-0061)	A,B,E ,G,J, L,N,Q ,S,U, W,Y AA,AC	RF
R -1J	113T3160-71		WEDGE INSTL-TE (POST SB 767-57-0061)	A,B,E ,G,J, L,N,Q ,S,U, W,Y AA,AC	RF
R -1K	113T3160-75		WEDGE INSTL- (PRE SB 767-57-0061)	A,B,E ,G,J, L,N,Q ,S,U, W,Y AA,AC	RF
-5	113T3160-68		WEDGE INSTL-TE	AF,AH ,AL,A P,AR, AU,AV ,AZ BA	RF

57-53-51

 ILLUSTRATED PARTS LIST
 01.1 Page 1054T
 Nov 01/04


BOEING
 COMPONENT
 MAINTENANCE MANUAL

FIG. & ITEM	PART NO.	AIRLINE PART NUMBER	NOMENCLATURE 1234567	EFF CODE	QTY PER ASSY
04- -5A	113T3160-5002		WEDGE INSTL- (LIMITED)	C,D,F ,H,K, M,P,R ,T,V, X,Z AB,AD	RF
-5B	113T3160-5004		WEDGE INSTL- (LIMITED)	C,D,F ,H,K, M,P,R ,T,V, X,Z AB,AD	RF
-5C	113T3160-5006		WEDGE INSTL- (LIMITED) (PRE SB 767-57-0061)	C,D,F ,H,K, M,P,R ,T,V, X,Z AB,AD	RF
-5D	113T3160-5008		WEDGE INSTL- (LIMITED) (PRE SB 767-57-0061)	C,D,F ,H,K, M,P,R ,T,V, X,Z AB,AD	RF
-5E	113T3160-34		WEDGE INSTL-TE	H	RF
-5F	113T3160-78		WEDGE INSTL- (POST SB 767-57-0061)	C,D,F ,H,K, M,P,R ,T,V, X,Z AB,AD	RF
R -5G	113T3160-72		WEDGE INSTL-TE (POST SB 767-57-0061)	C,D,F ,H,K, M,P,R ,T,V, X,Z AB,AD	RF

57-53-51

ILLUSTRATED PARTS LIST

01.1 Page 1054U

Nov 01/04

FIG. & ITEM	PART NO.	AIRLINE PART NUMBER	NOMENCLATURE 1234567	EFF CODE	QTY PER ASSY
R 04-5H	113T3160-52		WEDGE INSTL-TE (PRE SB 767-57-0061)	C,D,F H,K, M,P,R T,V, X,Z AB,AD	RF
R -5J	113T3160-76		WEDGE INSTL-TE (PRE SB 767-57-0061)	C,D,F H,K, M,P,R T,V, X,Z AB,AD	RF
7	HL11VAZ6-6		.BOLT- (V60516) (SPEC BACB30NW6K6) (OPT B30NW6K6 (V97928)) (OPT HL11VAZ6-6 (V73197)) (OPT HL11VAZ6-6 (V92215)) (OPT HL11VAZ6-6 (V97928)) (OPT L803-6K6 (V06725)) (OPT HL11VAZ6-6 (V0PTK6)) (OPT HL11VAZ6-6 (V56878))	A-AJ, AL,A N-AW, AY-BA	2
10 11	NAS1836A4N13 HL79-6		DELETED .COLLAR- (V5M902) (SPEC BACC30M6) (OPT HL79-6 (V73197)) (OPT HL79-6 (V92215)) (OPT 66014-6 (V56878)) (OPT HL79-6 (V56878))	A-AJ, AL,A N-AW, AY-BA	2
15	BACB30NN3K8		.BOLT	A-AJ, AL,A N-AW, AY-BA	286

57-53-51

 ILLUSTRATED PARTS LIST
 01.1 Page 1054V
 Nov 01/04

BOEING
 COMPONENT
 MAINTENANCE MANUAL

FIG. & ITEM	PART NO.	AIRLINE PART NUMBER	NOMENCLATURE 1234567	EFF CODE	QTY PER ASSY
R 04-20	BACB30NN4K11		.BOLT	A-AJ, AL,A N-AW, AY-BA	2
25	BACR15BA3AD		.RIVET- (SIZE DETERMINE ON INST)		576
30	NS103191-02-5		.NUTPLATE- (V80539) (SPEC BACN10KE3B5) (OPT F51750-3-5 (V15653)) (OPT RMF9213-5-3 (V72962)) (OPT BRFR220A3-5 (V52828))	A-AJ, AL,A N-AW, AY-BA	263
35	BACN10JQ33		.NUTPLATE- (USED ON ITEMS 1A, 1B, 1C, 1D, 1E, 1F, 1H, 1J, 1K, 5, 5A, 5B, 5C, 5D, 5E, 5G, 5H, 5J)	A-AJ, AL,A N-AW, AY-BA	10
R -35A	MF19058-3-3BAC		.NUTPLATE- (V15653) (SPEC BACN10YF33) (USED ON ITEMS 1G,5F)	A-AD	10
40	BACN10JQ35		.NUTPLATE- (USED ON ITEMS 1A, 1B, 1C, 1D, 1E, 1F, 1H, 1J, 1K, 5, 5A, 5B, 5C, 5D, 5E, 5G, 5H, 5J)	A-AJ, AL,A N-AW, AY-BA	13
R -40A	MF19058-3-5BAC		.NUTPLATE- (V15653) (SPEC BACN10YF35) (USED ON ITEMS 1G,5F)	A-AD	13

57-53-51

ILLUSTRATED PARTS LIST
 01.1 Page 1054W
 Nov 01/04

FIG. & ITEM	PART NO.	AIRLINE PART NUMBER	NOMENCLATURE 1234567	EFF CODE	QTY PER ASSY
04-45	BACN10JQ45		.NUTPLATE- (USED ON ITEMS 1A, 1B, 1C, 1D, 1E, 1F, 1H, 1J, 1K, 5, 5A, 5B, 5C, 5D, 5E, 5G, 5H, 5J)	A-AJ, AL,A N-AW, AY-BA	2
R -45A	MF19058-4-5BAC		.NUTPLATE- (V15653) (SPEC BACN10YF45) (USED ON ITEMS 1G,5F)	A-AD	2
47	NAS1399MW5-3		.RIVET- (USED ON ITEMS 1A, 1B, 1C, 1D, 1E, 1F, 1G, 5, 5A, 5B, 5C, 5D, 5E, 5F)	A-AJ, AL,A N-AW, AY-BA	18
48	BACR15CE6KE		.RIVET- (SIZE DETERMINE ON INST) (USED ON ITEMS 1A, 1B, 1C, 1D, 1E, 1F, 1G, 5, 5A, 5B, 5C, 5D, 5E, 5F)	A-AJ, AL,A N-AW, AY-BA	323
50	113T3160-69		.BOND ASSY-WEDGE (USED ON ITEMS 1A, 1G)	A,B,E ,G,J, L,N,Q ,S,U, W,Y AA,AC ,AE,A G,AJ, AN,AQ ,AS AT,AW	1

57-53-51

 ILLUSTRATED PARTS LIST
 01.1 Page 1054X
 Nov 01/04


BOEING
 COMPONENT
 MAINTENANCE MANUAL

FIG. & ITEM	PART NO.	AIRLINE PART NUMBER	NOMENCLATURE 1234567	EFF CODE	QTY PER ASSY
04- -50A	113T3160-3		.BOND ASSY-WEDGE (USED ON ITEM 1B)	A,B,E ,G,J, L,N,Q ,S,U, W,Y AA,AC	1
-50B	113T3160-23		.BOND ASSY-WEDGE (USED ON ITEMS 1C, 1F)	A,B,E ,G,J, L,N,Q ,S,U, W,Y AA,AC	1
-50C	113T3160-35		.BOND ASSY-WEDGE (USED ON ITEM 1D)	A,B,E ,G,J, L,N,Q ,S,U, W,Y AA,AC	1
-50D	113T3160-65		.BOND ASSY-WEDGE (USED ON ITEM 1E)	A,B,E ,G,J, L,N,Q ,S,U, W,Y AA,AC	1
-55	113T3160-70		.BOND ASSY-WEDGE (USED ON ITEMS 5, 5F)	C,D,F ,H,K, M,P,R ,T,V, X,Z AB,AD ,AF,A H,AL, AP,AR ,AU AV,AZ ,BA	1

57-53-51

ILLUSTRATED PARTS LIST

01.1 Page 1054Y

Nov 01/04

FIG. & ITEM	PART NO.	AIRLINE PART NUMBER	NOMENCLATURE 1234567	EFF CODE	QTY PER ASSY
04- -55A	113T3160-4		.BOND ASSY-WEDGE (USED ON ITEM 5A)	C,D,F ,H,K, M,P,R ,T,V, X,Z AB,AD	1
-55B	113T3160-24		.BOND ASSY-WEDGE (USED ON ITEMS 5B, 5E)	C,D,F ,H,K, M,P,R ,T,V, X,Z AB,AD	1
-55C	113T3160-36		.BOND ASSY-WEDGE (USED ON ITEM 5C)	C,D,F ,H,K, M,P,R ,T,V, X,Z AB,AD	1
-55D	113T3160-66		.BOND ASSY-WEDGE (USED ON ITEM 5D)	C,D,F ,H,K, M,P,R ,T,V, X,Z AB,AD	1
60	NAS1836A4N13		..INSERT	A-AJ, AL,A N-AW, AY-BA	15
65	113T3161-15		..SPAR ASSY- (USED ON ITEMS 50, 50B, 50C, 50D)	A,B,E ,G,J, L,N,Q ,S,U, W,Y AA,AC ,AE,A G,AJ, AN,AQ ,AS AT,AW ,AY	1

57-53-51

 ILLUSTRATED PARTS LIST
 01.1 Page 1054Z
 Nov 01/04


BOEING
 COMPONENT
 MAINTENANCE MANUAL

FIG. & ITEM	PART NO.	AIRLINE PART NUMBER	NOMENCLATURE 1234567	EFF CODE	QTY PER ASSY
04- -65A	113T3161-1		..SPAR ASSY- (USED ON ITEM 50A)	A,B,E ,G,J, L,N,Q ,S,U, W,Y AA,AC	1
-70	113T3161-16		..SPAR ASSY- (USED ON ITEMS 55, 55B, 55C, 55D)	C,D,F ,H,K, M,P,R ,T,V, X,Z AB,AD ,AF,A H,AL, AP,AR ,AU AV,AZ ,BA	1
-70A	113T3161-2		..SPAR ASSY- (USED ON ITEM 55A)	C,D,F ,H,K, M,P,R ,T,V, X,Z AB,AD	1
75	BACB30MY6K3		...BOLT	A-AJ, AL,A N-AW, AY-BA	49
80	HL79-6		...COLLAR- (V5M902) (SPEC BACC30M6) (OPT HL79-6 (V73197)) (OPT HL79-6 (V92215)) (OPT 66014-6 (V56878)) (OPT HL79-6 (V56878))	A-AJ, AL,A N-AW, AY-BA	49

57-53-51

ILLUSTRATED PARTS LIST

01.1

Page 1055

Nov 01/04

FIG. & ITEM	PART NO.	AIRLINE PART NUMBER	NOMENCLATURE 1234567	EFF CODE	QTY PER ASSY
04-85	113T3161-5		...CLIP	A-AJ, AL,A N-AW, AY-BA	1
90	113T3161-7		...CLIP	A,B,E ,G,J, L,N,Q ,S,U, W,Y AA,AC ,AE,A G,AJ, AN,AQ ,AS AT,AW ,AY	1
-95	113T3161-8		...CLIP	C,D,F ,H,K, M,P,R ,T,V, X,Z AB,AD ,AF,A H,AL, AP,AR ,AU AV,AZ ,BA	1
100	113T3161-9		...CLIP	A,B,E ,G,J, L,N,Q ,S,U, W,Y AA,AC ,AE,A G,AJ, AN,AQ ,AS AT,AW ,AY	1

57-53-51

 ILLUSTRATED PARTS LIST
 01.1 Page 1056
 Nov 01/04

BOEING
 COMPONENT
 MAINTENANCE MANUAL

FIG. & ITEM	PART NO.	AIRLINE PART NUMBER	NOMENCLATURE 1234567	EFF CODE	QTY PER ASSY
04- -105	113T3161-10		...CLIP	C,D,F ,H,K, M,P,R ,T,V, X,Z AB,AD ,AF,A H,AL, AP,AR ,AU AV,AZ ,BA	1
110	113T3161-11		...CLIP	A,B,E ,G,J, L,N,Q ,S,U, W,Y AA,AC ,AE,A G,AJ, AN,AQ ,AS AT,AW ,AY	1
-115	113T3161-12		...CLIP	C,D,F ,H,K, M,P,R ,T,V, X,Z AB,AD ,AF,A H,AL, AP,AR ,AU AV,AZ ,BA	1

57-53-51

ILLUSTRATED PARTS LIST
 01.1 Page 1056A
 Nov 01/04

FIG. & ITEM	PART NO.	AIRLINE PART NUMBER	NOMENCLATURE 1234567	EFF CODE	QTY PER ASSY
04-120	113T3161-13		...CLIP	A,B,E ,G,J, L,N,Q ,S,U, W,Y AA,AC ,AE,A G,AJ, AN,AQ ,AS AT,AW ,AY C,D,F ,H,K, M,P,R ,T,V, X,Z AB,AD ,AF,A H,AL, AP,AR ,AU AV,AZ ,BA A-AJ, AL,A N-AW, AY-BA A-AD	1
-125	113T3161-14		...CLIP		1
130	113T3107-15		...SUPPORT-FAIRING (USED ON ITEMS 65, 70)		2
-130A	113T3107-7		...SUPPORT-FAIRING (USED ON ITEMS 65A, 70A)		2

57-53-51

 ILLUSTRATED PARTS LIST
 01.1 Page 1056B
 Nov 01/04

BOEING
 COMPONENT
 MAINTENANCE MANUAL

FIG. & ITEM	PART NO.	AIRLINE PART NUMBER	NOMENCLATURE 1234567	EFF CODE	QTY PER ASSY
04-135	113T3107-13		...SUPPORT-FAIRING (USED ON ITEMS 65, 70)	A-AJ, AL,A N-AW, AY-BA	2
-135A	113T3107-5		...SUPPORT-FAIRING (USED ON ITEMS 65A, 70A)	A-AD	2
140	BACS40R015B024F		...SHIM	A-AJ, AL,A N-AW, AY-BA	AR
145	113T3162-3		...FITTING-HOIST (USED ON ITEMS 65, 70)	A-AJ, AL,A N-AW, AY-BA	2
-145A	113T3162-1		...FITTING-HOIST (USED ON ITEMS 65A, 70A)	A-AD	2
R 150	BACS40R14B18F		...SHIM	A-AJ, AL,A N-AW, AY-BA	AR
155	113T3161-17		...SPAR- (USED ON ITEM 65)	A,B,E ,G,J, L,N,Q ,S,U, W,Y AA,AC ,AE,A G,AJ, AN,AQ ,AS AT,AW ,AY	1

57-53-51

ILLUSTRATED PARTS LIST
 01.1 Page 1056C
 Nov 01/04

FIG. & ITEM	PART NO.	AIRLINE PART NUMBER	NOMENCLATURE 1234567	EFF CODE	QTY PER ASSY
04- -155A	113T3161-3		...SPAR- (USED ON ITEM 65A)	A,B,E ,G,J, L,N,Q ,S,U, W,Y AA,AC	1
-160	113T3161-18		...SPAR- (USED ON ITEM 70)	C,D,F ,H,K, M,P,R ,T,V, X,Z AB,AD ,AF,A H,AL, AP,AR ,AU AV,AZ ,BA	1
-160A	113T3161-4		...SPAR- (USED ON ITEM 70A)	C,D,F ,H,K, M,P,R ,T,V, X,Z AB,AD	1
R -165	113T3160-73		.SPARES ASSY- (USED ON ITEM 1J, 1K)	A,B,E ,G,J, L,N,Q ,S,U, W,Y AA,AC	1

57-53-51

 ILLUSTRATED PARTS LIST
 01.1 Page 1056D
 Nov 01/04


BOEING
 COMPONENT
 MAINTENANCE MANUAL

FIG. & ITEM	PART NO.	AIRLINE PART NUMBER	NOMENCLATURE 1234567	EFF CODE	QTY PER ASSY
R 04- -165A	113T3160-49		. SPARES ASSY- (USED ON ITEMS 1H, 1J)	A,B,E ,G,J, L,N,Q ,S,U, W,Y AA,AC	1
R -170	113T3160-74		. SPARES ASSY- (USED ON ITEMS 5G, 5J)	C,D,F ,H,K, M,P,R ,T,V, X,Z AB,AD	1
R -170A	113T3160-50		. SPARES ASSY- (USED ON ITEMS 5G, 5H)	C,D,F ,H,K, M,P,R ,T,V, X,Z AB,AD	1
R 175	NAS1399MW5-3		..RIVET	A-AD	18
R 180	113T3160-65		..BOND ASSY-WEDGE (USED ON ITEM 165)	A,B,E ,G,J, L,N,Q ,S,U, W,Y AA,AC	1
R -180A	113T3160-35		..BOND ASSY-WEDGE (USED ON ITEM 165A)	A,B,E ,G,J, L,N,Q ,S,U, W,Y AA,AC	1

57-53-51

ILLUSTRATED PARTS LIST

01.1 Page 1056E

Nov 01/04

FIG. & ITEM	PART NO.	AIRLINE PART NUMBER	NOMENCLATURE 1234567	EFF CODE	QTY PER ASSY
R 04-185	113T3160-66		..BOND ASSY-WEDGE (USED ON ITEM 170)	C,D,F H,K, M,P,R T,V, X,Z AB,AD	1
R -185A	113T3160-36		..BOND ASSY-WEDGE (USED ON ITEM 170A)	C,D,F H,K, M,P,R T,V, X,Z AB,AD	1
R 190	113T3161-15		...SPAR ASSY	A,B,E G,J, L,N,Q S,U, W,Y AA,AC	1
R -195	113T3161-16		...SPAR ASSY	C,D,F H,K, M,P,R T,V, X,Z AB,AD	1
R 200	BACB30MY6K3	BOLT	A-AD	49
R 205	HL79-6	COLLAR- (V5M902) (SPEC BACC30M6) (OPT HL79-6 (V73197)) (OPT HL79-6 (V92215)) (OPT 66014-6 (V56878)) (OPT HL79-6 (V56878))	A-AD	49

57-53-51

 ILLUSTRATED PARTS LIST
 01.1 Page 1056F
 Nov 01/04

BOEING
 COMPONENT
 MAINTENANCE MANUAL

FIG. & ITEM	PART NO.	AIRLINE PART NUMBER	NOMENCLATURE 1234567	EFF CODE	QTY PER ASSY
R 04-210	113T3161-5	CLIP	A-AD	1
R 215	113T3161-7	CLIP	A,B,E ,G,J, L,N,Q ,S,U, W,Y AA,AC	1
R -220	113T3161-8	CLIP	C,D,F ,H,K, M,P,R ,T,V, X,Z AB,AD	1
R 225	113T3161-9	CLIP	A,B,E ,G,J, L,N,Q ,S,U, W,Y AA,AC	1
R -230	113T3161-10	CLIP	C,D,F ,H,K, M,P,R ,T,V, X,Z AB,AD	1
R 235	113T3161-11	CLIP	A,B,E ,G,J, L,N,Q ,S,U, W,Y AA,AC	1

57-53-51

ILLUSTRATED PARTS LIST
 01.1 Page 1056G
 Nov 01/04

FIG. & ITEM	PART NO.	AIRLINE PART NUMBER	NOMENCLATURE 1234567	EFF CODE	QTY PER ASSY
R 04- -240	113T3161-12	CLIP	C,D,F ,H,K, M,P,R ,T,V, X,Z AB,AD	1
R 245	113T3161-13	CLIP	A,B,E ,G,J, L,N,Q ,S,U, W,Y AA,AC	1
R -250	113T3161-14	CLIP	C,D,F ,H,K, M,P,R ,T,V, X,Z AB,AD	1
R 255	113T3107-15	SUPPORT-FAIRING	A-AD	2
R 260	113T3107-13	SUPPORT-FAIRING	A-AD	2
R 265	BACS40R015B024F	SHIM	A-AD	AR
R 270	113T3162-3	FITTING-HOIST	A-AD	2
R 275	BACS40R14B18F	SHIM	A-AD	AR
R 280	113T3161-17	SPAR	A,B,E ,G,J, L,N,Q ,S,U, W,Y AA,AC	1

57-53-51

 ILLUSTRATED PARTS LIST
 01.1 Page 1056H
 Nov 01/04


BOEING
 COMPONENT
 MAINTENANCE MANUAL

FIG. & ITEM	PART NO.	AIRLINE PART NUMBER	NOMENCLATURE 1234567	EFF CODE	QTY PER ASSY
R 04- -285	113T3161-18	SPAR	C,D,F H,K, M,P,R T,V, X,Z AB,AD	1
R -290	113T3160-79		.KIT ASSY-SUBSTITUTION (USED ON ITEMS 1G, 5F)	A-AD	1
R -295	BACB30MY6K3X		..BOLT	A-AD	6
R -300	BACB30MY6K3Y		..BOLT	A-AD	2
R -305	BACB30MY6K4X		..BOLT	A-AD	4
R -310	BACB30MY6K4Y		..BOLT	A-AD	2
R -315	BACB30NN3K8		..BOLT	A-AD	375
R -320	BACB30NN4K2		..BOLT	A-AD	4
R -325	HL111VAZ6-3		..BOLT- (V60516) (SPEC BACB30NW6K3X) (OPT HL11VAZ6-3X (V0PTK6)) (OPT HL11VAZ6-3X (V97928)) (OPT B30NW6K3X (V97928)) (OPT L803-6K3X (V06725)) (OPT HL11VAZ6-3X (V92215)) (OPT HL11VAZ6-3X (V73197)) (OPT HL11VAZ6-3X (V56878)) (OPT HL11VAZ6-3X (V60516))	A-AD	4
R -330	HL411VAZ6-3		..BOLT- (V60516) (SPEC BACB30NW6K3Y)	A-AD	2

57-53-51

 ILLUSTRATED PARTS LIST
 01.1 Page 1056I
 Nov 01/04

FIG. & ITEM	PART NO.	AIRLINE PART NUMBER	NOMENCLATURE 1234567	EFF CODE	QTY PER ASSY
R 04-335	HL111VAZ6-5		..BOLT- (V60516) (SPEC BACB30NW6K5X) (OPT HL11VAZ6-5X (V73197)) (OPT HL11VAZ6-5X (V92215)) (OPT L803-6K5X (V06725)) (OPT B30NW6K5X (V97928)) (OPT HL11VAZ6-5X (V97928)) (OPT HL11VAZ6-5X (V0PTK6)) (OPT HL11VAZ6-5X (V60516)) (OPT HL11VAZ6-5X (V56878))	A-AD	4
R -340	HL411VAZ6-5		..BOLT- (V60516) (SPEC BACB30NW6K5Y) (OPT HL11VAZ6-5Y (V73197)) (OPT HL11VAZ6-5Y (V92215)) (OPT L803-6K5Y (V06725)) (OPT HL11VAZ6-5Y (V97928)) (OPT B30NW6K5Y (V97928)) (OPT HL11VAZ6-5Y (V0PTK6)) (OPT HL11VAZ6-5Y (V60516)) (OPT HL11VAZ6-5Y (V56878))	A-AD	2

57-53-51

 ILLUSTRATED PARTS LIST
 01.1 Page 1056J
 Nov 01/04


BOEING
 COMPONENT
 MAINTENANCE MANUAL

FIG. & ITEM	PART NO.	AIRLINE PART NUMBER	NOMENCLATURE 1234567	EFF CODE	QTY PER ASSY
R 04-345	HL111VAZ6-6		..BOLT- (V60516) (SPEC BACB30NW6K6X) (OPT HL11VAZ6-6X (VOPTK6)) (OPT HL11VAZ6-6X (V97928)) (OPT B30NW6K6X (V97928)) (OPT L803-6K6X (V06725)) (OPT HL11VAZ6-6X (V92215)) (OPT HL11VAZ6-6X (V73197)) (OPT HL11VAZ6-6X (V56878)) (OPT HL11VAZ6-6X (V60516))	A-AD	8
R -350	HL11VAZ6-6Y		..BOLT- (V60516) (SPEC BACB30NW6K6Y) (OPT HL11VAZ6-6Y (VOPTK6)) (OPT HL11VAZ6-6Y (V97928)) (OPT B30NW6K6Y (V97928)) (OPT L803-6K6Y (V06725)) (OPT HL11VAZ6-6Y (V92215)) (OPT HL11VAZ6-6Y (V73197)) (OPT HL11VAZ6-6Y (V56878))	A-AD	2

57-53-51

 ILLUSTRATED PARTS LIST
 01.1 Page 1056K
 Nov 01/04

FIG. & ITEM	PART NO.	AIRLINE PART NUMBER	NOMENCLATURE 1234567	EFF CODE	QTY PER ASSY
R 04-355	HL1022AZ6-9		..BOLT- (V97928) (SPEC BACB30NX6K9X) (OPT HL112AZ6-9 (V06725)) (OPT HL112AZ6-9 (V56878)) (OPT HL112AZ6-9 (V60516)) (OPT HL112AZ6-9 (V73197)) (OPT HL112AZ6-9 (V92215)) (OPT HL112AZ6-9 (V97928)) (OPT HL1022AZ6-9 (V0PTK6)) (OPT HL1022AZ6-9 (V06725)) (OPT HL1022AZ6-9 (V06950)) (OPT HL1022AZ6-9 (V17446)) (OPT HL1022AZ6-9 (V56878)) (OPT HL1022AZ6-9 (V73197))	A-AD	10

57-53-51

 ILLUSTRATED PARTS LIST
 01.1 Page 1056L
 Nov 01/04

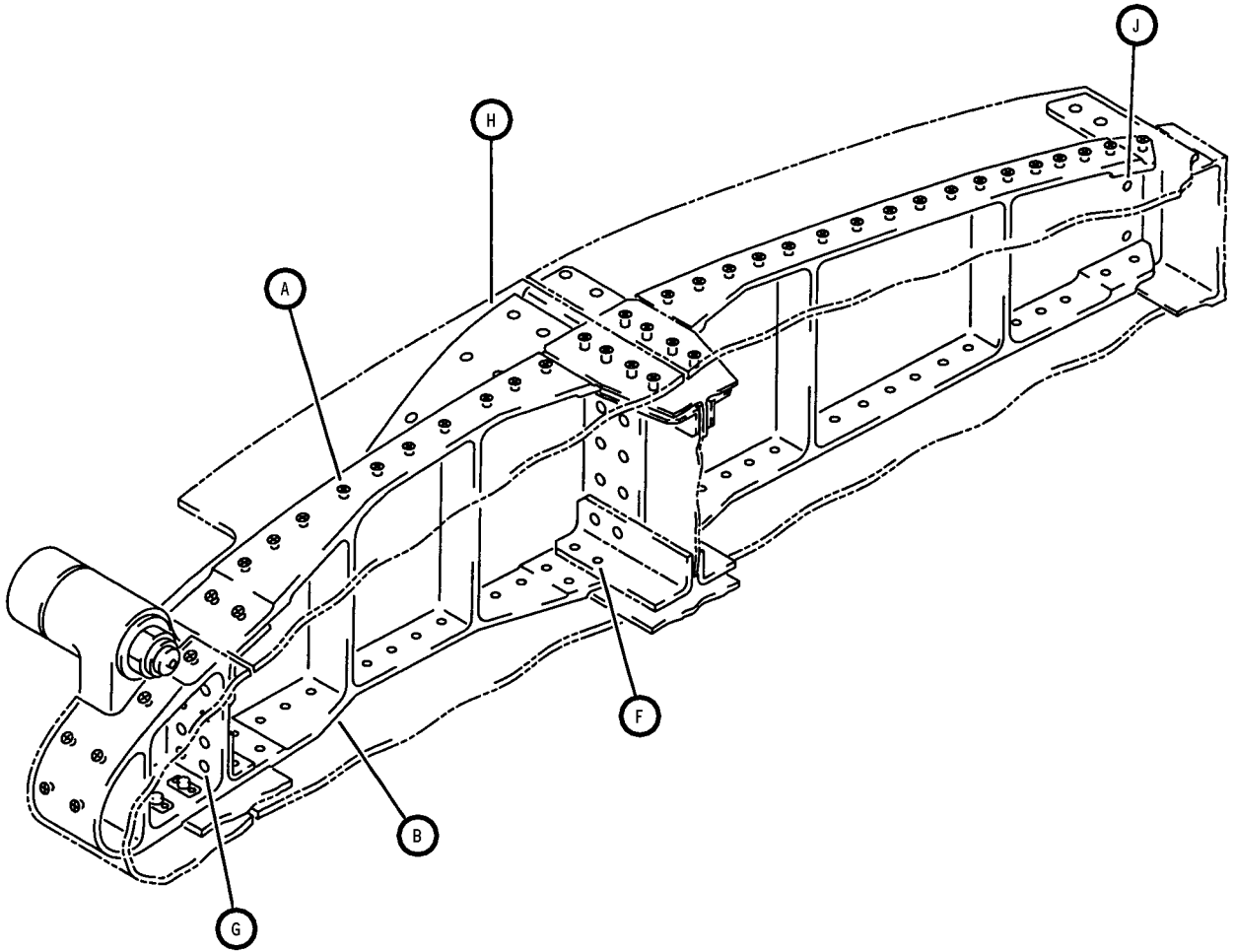
BOEING
 COMPONENT
 MAINTENANCE MANUAL

FIG. & ITEM	PART NO.	AIRLINE PART NUMBER	NOMENCLATURE 1234567	EFF CODE	QTY PER ASSY
R 04- -360	HL1032AZ6-9		..BOLT- (V97928) (SPEC BACB30NX6K9Y) (OPT HL412AZ6-9 (V92215)) (OPT HL412VAZ6-9 (V06725)) (OPT HL412VAZ6-9 (V56878)) (OPT HL412VAZ6-9 (V73197)) (OPT HL412VAZ6-9 (V92215)) (OPT HL412VAZ6-9 (V97928)) (OPT HL1032AZ6-9 (V0PTK6)) (OPT HL1032AZ6-9 (V06725)) (OPT HL1032AZ6-9 (V06950)) (OPT HL1032AZ6-9 (V17446)) (OPT HL1032AZ6-9 (V56878)) (OPT HL1032AZ6-9 (V60516)) (OPT HL1032AZ6-9 (V73197))	A-AD	2
R -365	BACR15CE8AD7		..RIVET	A-AD	2
R -370	BACR15CE8AD8		..RIVET	A-AD	2
R -375	BACR15CE8KE10		..RIVET	A-AD	2
R -380	BACR15CE8KE7		..RIVET	A-AD	2
R -385	BACR15CE8KE8		..RIVET	A-AD	35
R -390	BACR15DS7D7		..RIVET	A-AD	4
R -395	BACR15DS7D8		..RIVET	A-AD	4
R -400	BACR15DS7KE10		..RIVET	A-AD	4
R -405	BACR15DS7KE7		..RIVET	A-AD	6
R -410	BACR15DS7KE9		..RIVET	A-AD	355
R -415	BACR15ET7AD7		..RIVET	A-AD	6
R -420	BACR15FT8AD7		..RIVET	A-AD	2
R -425	NAS1739MW5-3		..RIVET	A-AD	20
R -430	NAS1739MW6-3		..RIVET	A-AD	2

- Item Not Illustrated

57-53-51

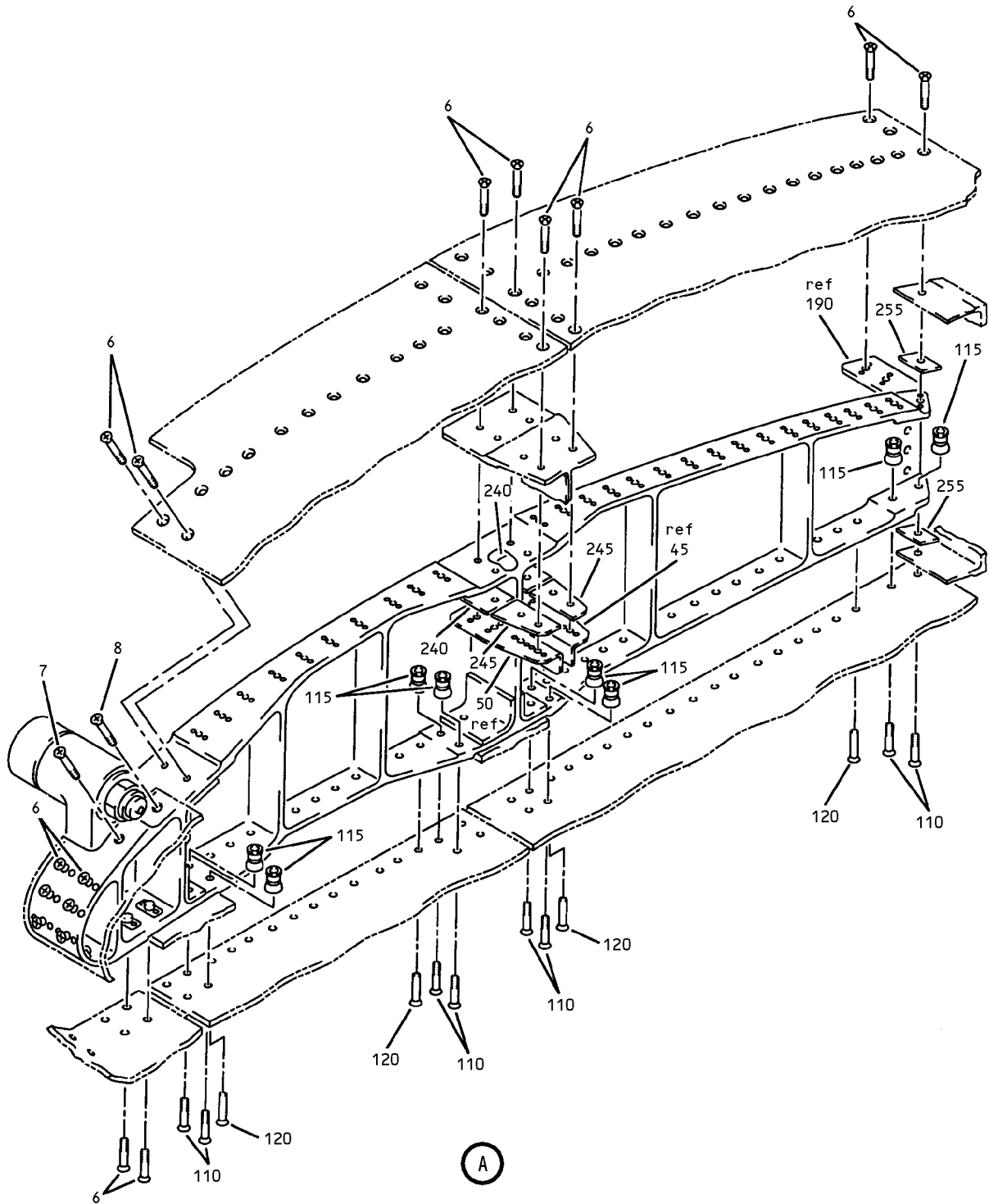
ILLUSTRATED PARTS LIST
 01.1 Page 1056M
 Nov 01/04



Inboard End Rib Installation
Figure 5 (Sheet 1)

57-53-51

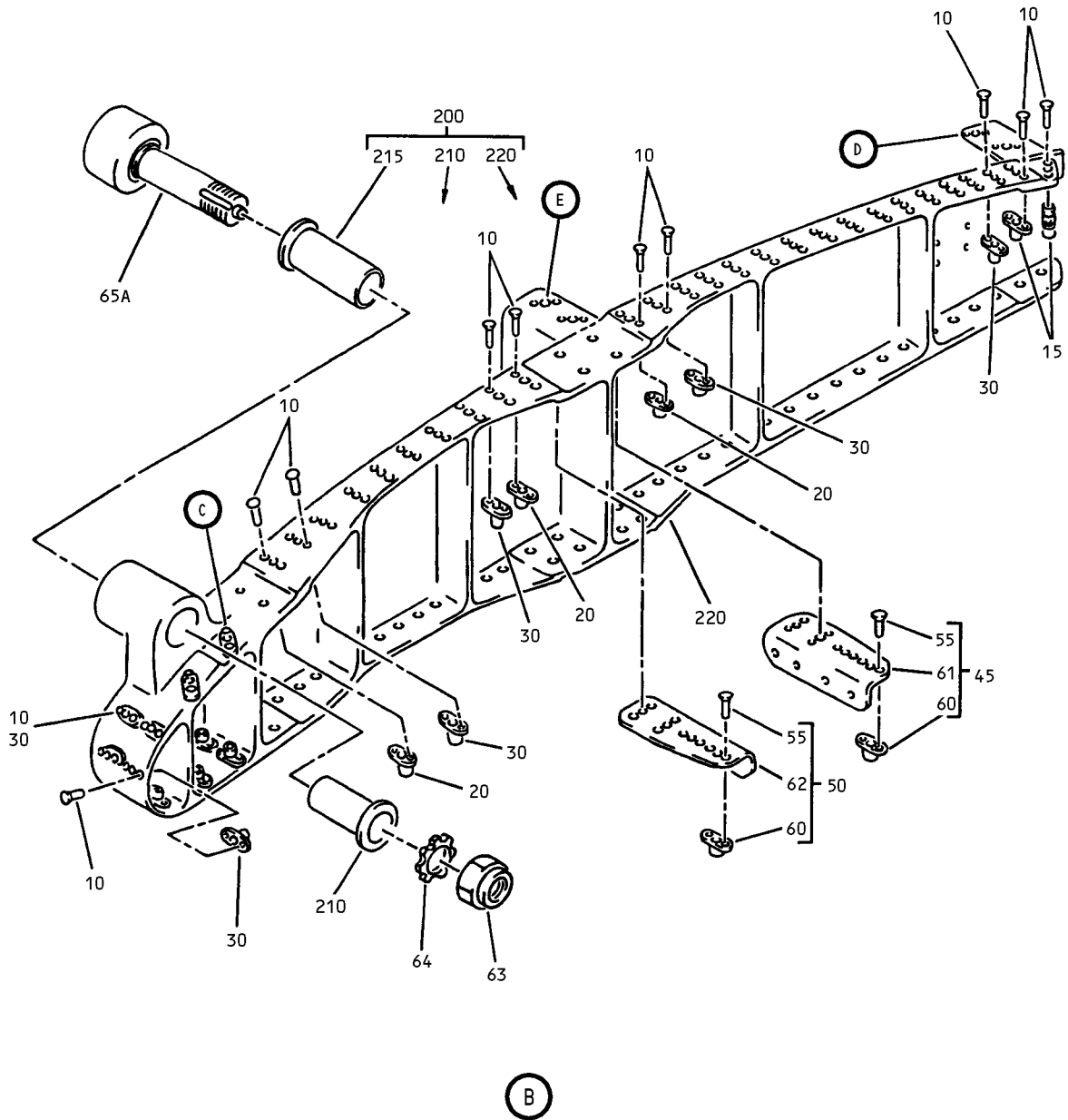
ILLUSTRATED PARTS LIST
01.1 Page 10560
Nov 01/04



Inboard End Rib Installation
Figure 5 (Sheet 2)

57-53-51

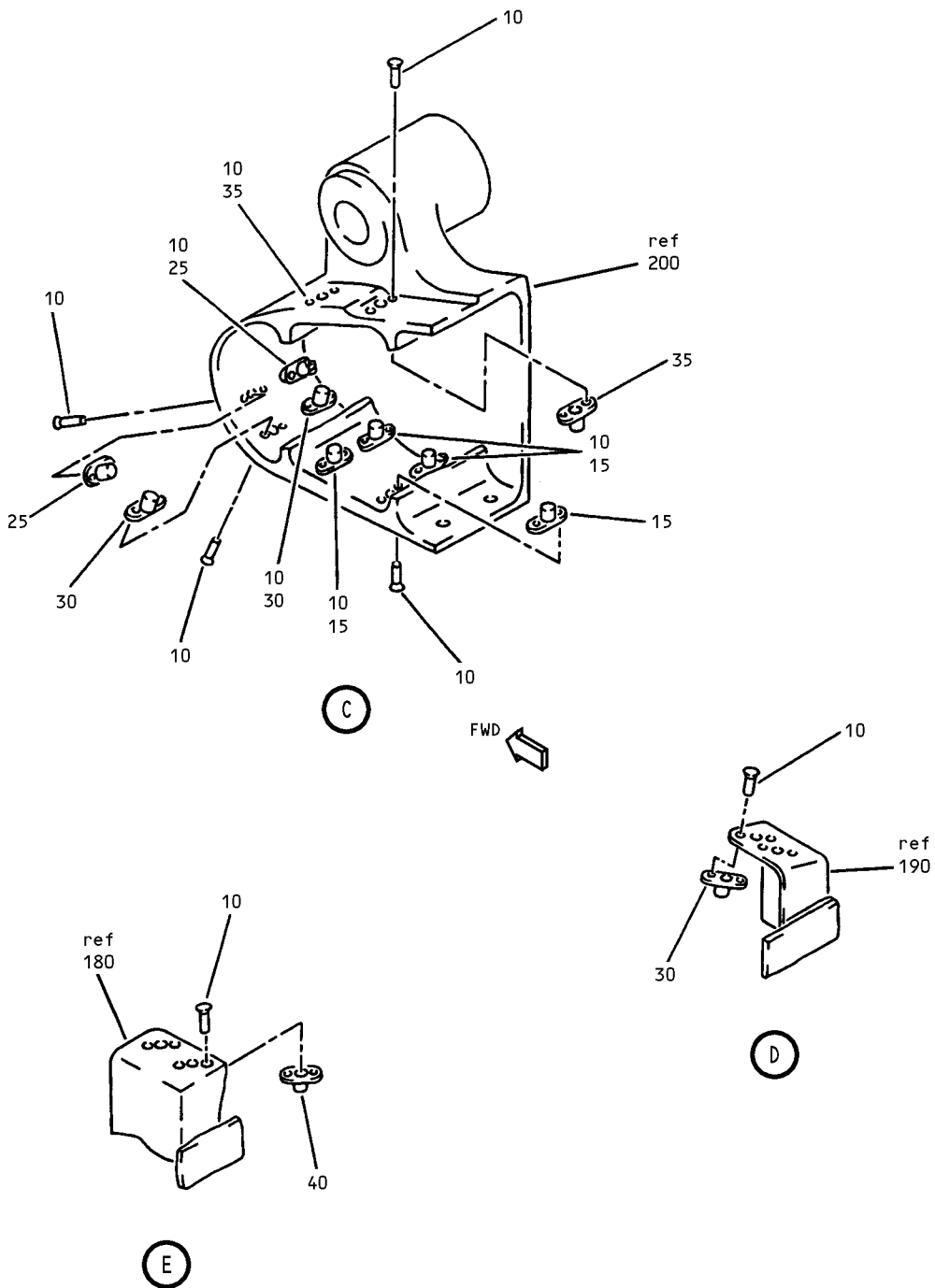
ILLUSTRATED PARTS LIST
01.1 Page 1056P
Nov 01/04



Inboard End Rib Installation
 Figure 5 (Sheet 3)

57-53-51

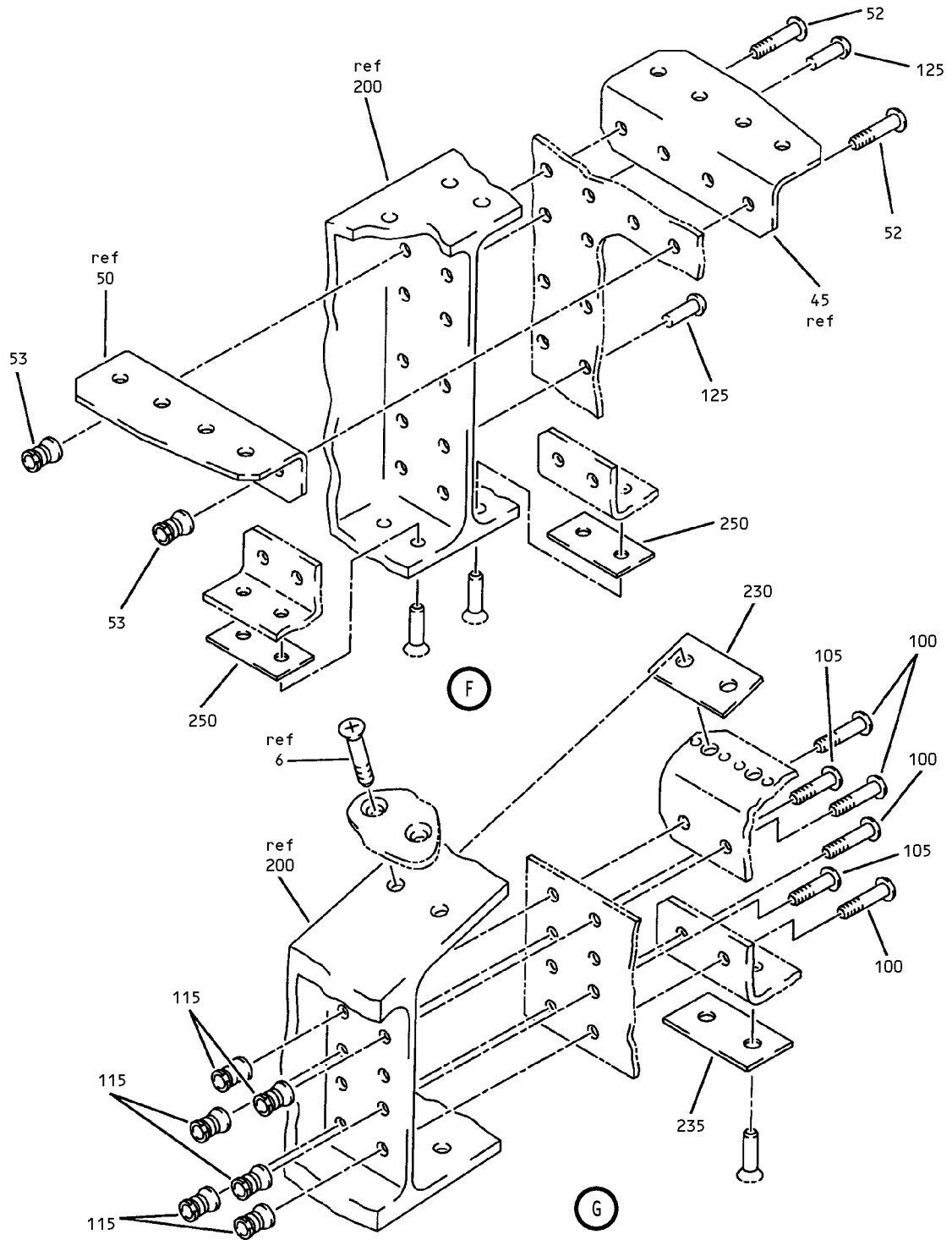
ILLUSTRATED PARTS LIST
 01.1 Page 1056Q
 Nov 01/04



Inboard End Rib Installation
 Figure 5 (Sheet 4)

57-53-51

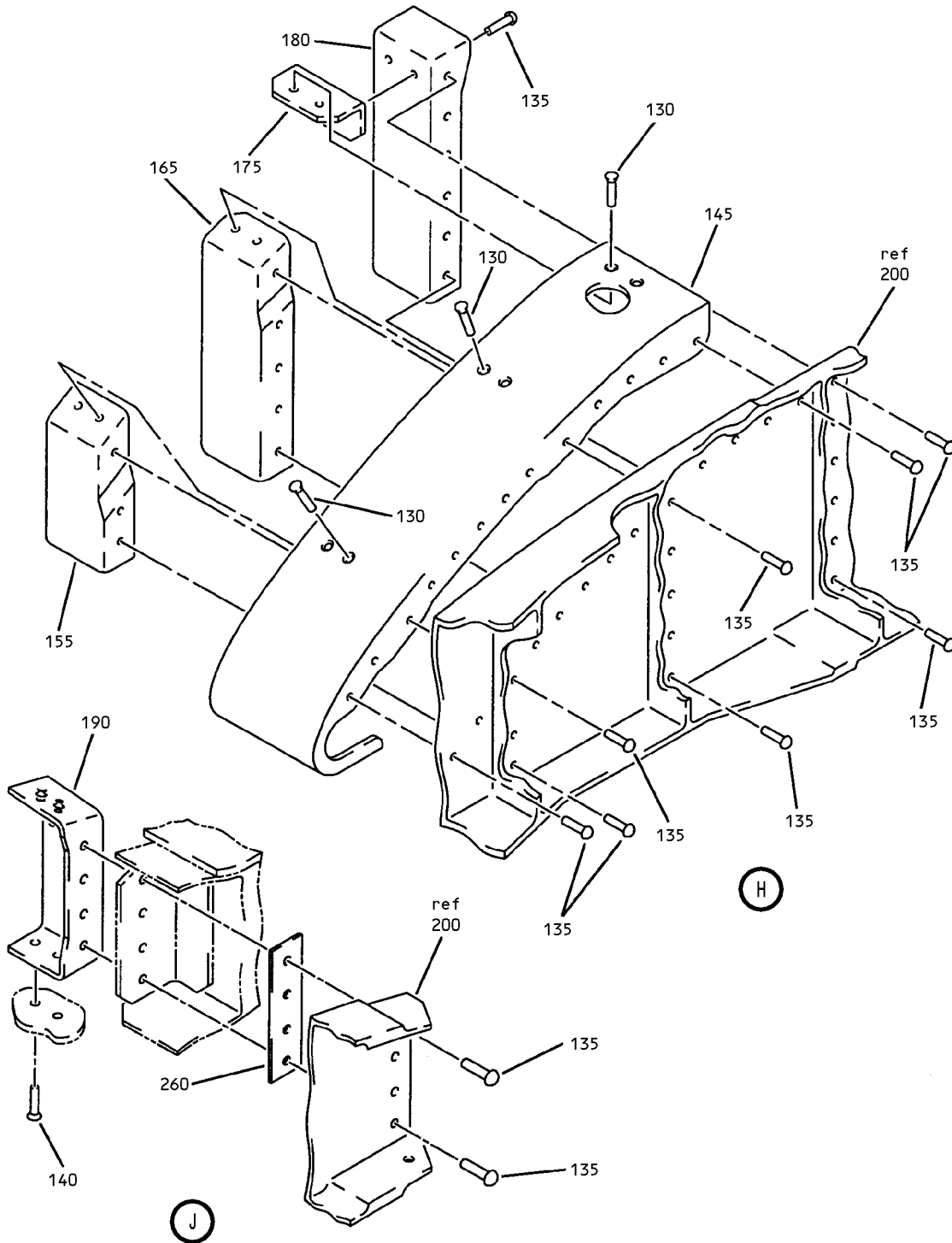
ILLUSTRATED PARTS LIST
 01.1 Page 1056R
 Nov 01/04



Inboard End Rib Installation
Figure 5 (Sheet 5)

57-53-51

ILLUSTRATED PARTS LIST
01.1 Page 1056S
Nov 01/04



Inboard End Rib Installation
 Figure 5 (Sheet 6)

57-53-51

ILLUSTRATED PARTS LIST
 01.1 Page 1056T
 Nov 01/04


BOEING
 COMPONENT
 MAINTENANCE MANUAL

FIG. & ITEM	PART NO.	AIRLINE PART NUMBER	NOMENCLATURE 1234567	EFF CODE	QTY PER ASSY
05- -1A	113T3166-5		RIB INSTL-INBD END	AJ,AN ,AQ,A S,AT, AW,AY	RF
-5	113T3166-6		RIB INSTL-INBD END	AL,AP ,AR,A U,AV, AZ,BA	RF
6	BACB30NN3K8		.BOLT	AJ,AL ,AN-A W,A Y-BA	51
7	BACB30LR4-11		.BOLT	AJ,AL ,AN-A W,A Y-BA	1
8	BACB30NN4K11		.BOLT	AJ,AL ,AN-A W,A Y-BA	1
10	BACR15BA3AD		.RIVET- (SIZE DETERMINE ON INST)	AJ,AL ,AN-A W,A Y-BA	90
15	BACN10JQ32		.NUTPLATE	AJ,AL ,AN-A W,A Y-BA	6
20	BACN10JQ33		.NUTPLATE	AJ,AL ,AN-A W,A Y-BA	3

57-53-51

ILLUSTRATED PARTS LIST

01.1 Page 1056U

Nov 01/04

FIG. & ITEM	PART NO.	AIRLINE PART NUMBER	NOMENCLATURE 1234567	EFF CODE	QTY PER ASSY
05-25	BACN10JQ34		.NUTPLATE	AJ,AL ,AN-A W,A Y-BA	2
30	BACN10JQ35		.NUTPLATE	AJ,AL ,AN-A W,A Y-BA	30
35	BACN10JQ43		.NUTPLATE	AJ,AL ,AN-A W,A Y-BA	2
40	BACN10JQ36		.NUTPLATE	AJ,AL ,AN-A W,A Y-BA	2
45	113T3177-1		.CLIP ASSY	AJ,AL ,AN-A W,A Y-BA	1
50	113T3177-2		.CLIP ASSY	AJ,AL ,AN-A W,A Y-BA	1
52	L8006K6		ATTACHING PARTS .BOLT- (V06725) (SPEC BACB30MY6K6)	AJ,AL ,AN-A W,A Y-BA	4
53	HL79-6		.COLLAR- (V5M902) (SPEC BACC30M6) (OPT HL79-6 (V73197)) (OPT HL79-6 (V92215)) (OPT 66014-6 (V56878)) (OPT HL79-6 (V56878)) -----*	AJ,AL ,AN-A W,A Y-BA	4

57-53-51

 ILLUSTRATED PARTS LIST
 01.1 Page 1056V
 Nov 01/04


BOEING
 COMPONENT
 MAINTENANCE MANUAL

FIG. & ITEM	PART NO.	AIRLINE PART NUMBER	NOMENCLATURE 1234567	EFF CODE	QTY PER ASSY
05-55	BACR15BA3AD		..RIVET- (SIZE DETERMINE ON INST)	AJ,AL ,AN-A W,A Y-BA	8
60	BACN10JQ32		..NUTPLATE	AJ,AL ,AN-A W,A Y-BA	4
61	113T3177-5		..CLIP- (USED ON ITEM 45)	AJ,AL ,AN-A W,A Y-BA	1
62	113T3177-6		..CLIP- (USED ON ITEM 50)	AJ,AL ,AN-A W,A Y-BA	1
63	H10-1612BAC		.NUT- (V15653) (SPEC BACN10JC16) (OPT BMN4122A16 (V85495)) (OPT RMLH9074-16 (V72962)) (OPT 48FT1612 (V56878)) (OPT BMN4122AD3-16 (V97928))	AJ,AL ,AN-A W,A Y-BA	1
64	MS27111-10		.WASHER	AJ,AL ,AN-A W,A Y-BA	1
65	CFH370		DELETED		

57-53-51

 ILLUSTRATED PARTS LIST
 01.1 Page 1056W
 Nov 01/04

FIG. & ITEM	PART NO.	AIRLINE PART NUMBER	NOMENCLATURE 1234567	EFF CODE	QTY PER ASSY
05-65A	CR2XBC106		.BEARING- (V92563) (SPEC 60B00178-650)	AJ,AL ,AN-A W,A Y-BA	1
70	113T3133-1		DELETED		
-75	113T3133-2		DELETED		
80	113T3130-2		DELETED		
85	113T3130-3		DELETED		
90	MS27111-10		DELETED		
95	H10-1612BAC		DELETED		
100	BACB30MY6K5		.BOLT	AJ,AL ,AN-A W	4
105	BACB30MY6K3		.BOLT	AJ,AL ,AN-A W,A Y-BA	4
110	HL11VAZ6-6		.BOLT- (V60516) (SPEC BACB30NW6K6) (OPT B30NW6K6 (V97928)) (OPT HL11VAZ6-6 (V73197)) (OPT HL11VAZ6-6 (V92215)) (OPT HL11VAZ6-6 (V97928)) (OPT L803-6K6 (V06725)) (OPT HL11VAZ6-6 (V0PTK6)) (OPT HL11VAZ6-6 (V56878))	AJ,AL ,AN-A W,A Y-BA	8
115	HL79-6		.COLLAR- (V5M902) (SPEC BACC30M6) (OPT HL79-6 (V73197)) (OPT HL79-6 (V92215)) (OPT 66014-6 (V56878)) (OPT HL79-6 (V56878))	AJ,AL ,AN-A W,A Y-BA	16

57-53-51

 ILLUSTRATED PARTS LIST
 01.1 Page 1056X
 Nov 01/04


BOEING
 COMPONENT
 MAINTENANCE MANUAL

FIG. & ITEM	PART NO.	AIRLINE PART NUMBER	NOMENCLATURE 1234567	EFF CODE	QTY PER ASSY
05-120	BACR15CE6KE		.RIVET- (SIZE DETERMINE ON INST)	AJ,AL ,AN-A W,A Y-BA	27
125	BACR15FT6KE		.RIVET- (SIZE DETERMINE ON INST)	AJ,AL ,AN-A W,A Y-BA	6
130	BACR15BA6AD		.RIVET- (SIZE DETERMINE ON INST)	AJ,AL ,AN-A W,A Y-BA	6
135	BACR15FT6AD		.RIVET- (SIZE DETERMINE ON INST)	AJ,AL ,AN-A W,A Y-BA	31
140	BACR15CE6AD		.RIVET- (SIZE DETERMINE ON INST)	AJ,AL ,AN-A W,A Y-BA	2
145	113T3108-1		.FAIRING ASSY	AJ,AN ,AQ,A S,AT, AW,AY	1
-150	113T3108-2		.FAIRING ASSY	AL,AP ,AR,A U,AV, AZ,BA	1
155	113T3175-13		.BRACKET	AJ,AN ,AQ,A S,AT, AW,AY	1
-160	113T3175-14		.BRACKET	AL,AP ,AR,A U,AV, AZ,BA	1
165	113T3175-15		.BRACKET	AJ,AN ,AQ,A S,AT, AW,AY	1

57-53-51

 ILLUSTRATED PARTS LIST
 01.1 Page 1056Y
 Nov 01/04

FIG. & ITEM	PART NO.	AIRLINE PART NUMBER	NOMENCLATURE 1234567	EFF CODE	QTY PER ASSY
05- -170	113T3175-16		.BRACKET	AL,AP ,AR,A U,AV, AZ,BA	1
175	113T3175-17		.ANGLE	AJ,AL ,AN-A W,A Y-BA	1
180	113T3175-9		.BRACKET	AJ,AN ,AQ,A S,AT, AW,AY	1
-185	113T3175-10		.BRACKET	AL,AP ,AR,A U,AV, AZ,BA	1
190	113T3175-21		.BRACKET	AJ,AN ,AQ,A S,AT, AW,AY	1
-195	113T3175-10		.BRACKET	AL,AP ,AR,A U,AV, AZ,BA	1
200	113T3133-1		.RIB ASSY	AJ,AN ,AQ,A S,AT, AW,AY	1
-205	113T3133-2		.RIB ASSY	AL,AP ,AR,A U,AV, AZ,BA	1

57-53-51

 ILLUSTRATED PARTS LIST
 01.1 Page 1056Z
 Nov 01/04


BOEING
 COMPONENT
 MAINTENANCE MANUAL

FIG. & ITEM	PART NO.	AIRLINE PART NUMBER	NOMENCLATURE 1234567	EFF CODE	QTY PER ASSY
05-210	113T3130-2		..BUSHING	AJ,AL ,AN-A W,A Y-BA	1
215	113T3130-3		..BUSHING	AJ,AL ,AN-A W,A Y-BA	1
220	113T3133-3		..RIB	AJ,AN ,AQ,A S,AT, AW,AY	1
-225	113T3133-4		..RIB	AL,AP ,AR,A U,AV, AZ,BA	1
230	BACS40R10C19F		.SHIM	AJ,AL ,AN-A W,A Y-BA	1
235	BACS40R09C19F		.SHIM	AJ,AL ,AN-A W,A Y-BA	1
240	BACS40R16B18F		.SHIM	AJ,AL ,AN-A W,A Y-BA	2
245	BACS40R16B20F		.SHIM	AJ,AL ,AN-A W,A Y-BA	2

57-53-51

ILLUSTRATED PARTS LIST

01.1

Page 1057

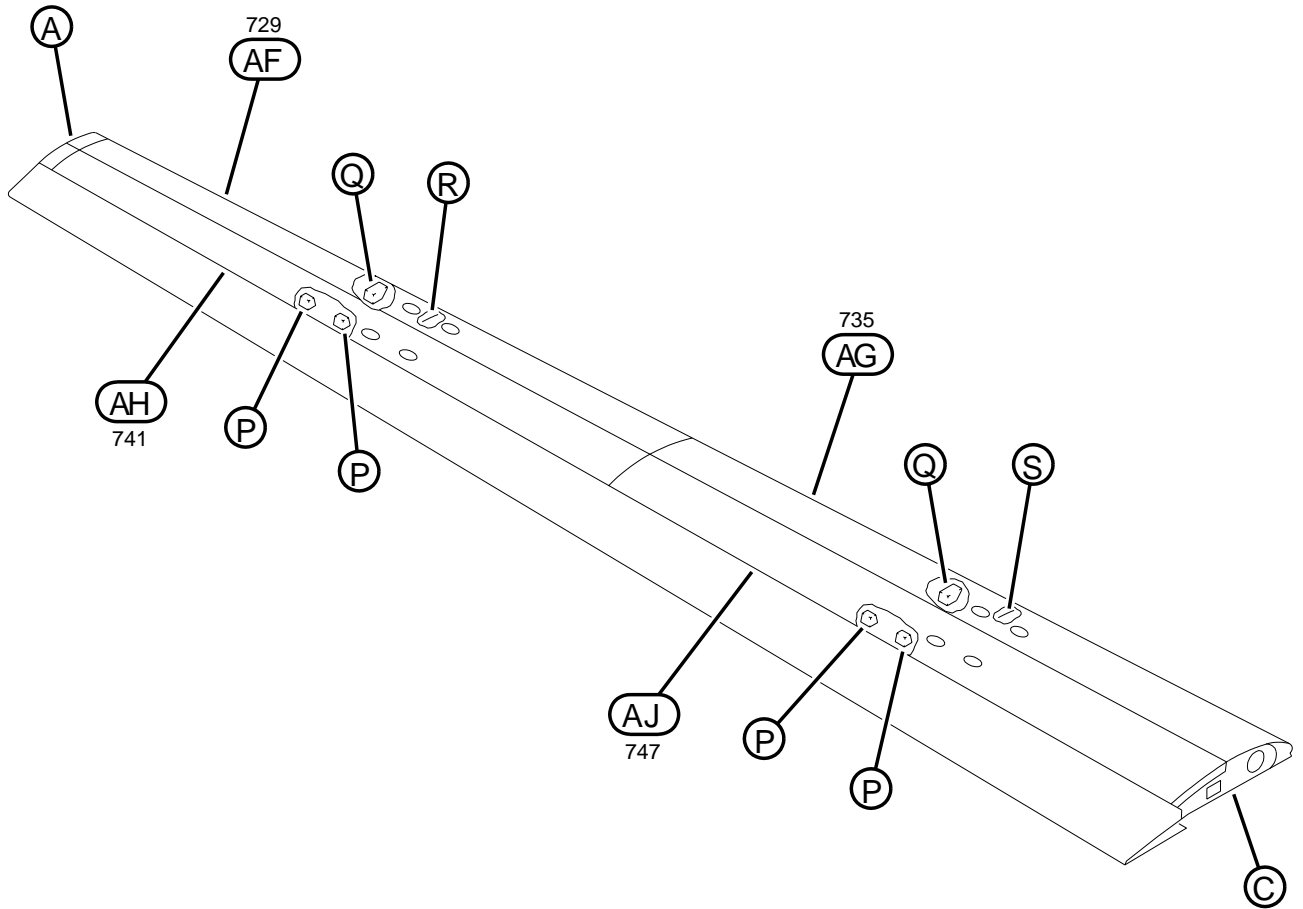
Nov 01/04

FIG. & ITEM	PART NO.	AIRLINE PART NUMBER	NOMENCLATURE 1234567	EFF CODE	QTY PER ASSY
05-250	BACS40R07E17F		.SHIM	AJ,AL ,AN-A W,A Y-BA	2
255	BACS40R09C09F		.SHIM	AJ,AL ,AN-A W,A Y-BA	2
260	BACS40R10B36F		.SHIM	AJ,AL ,AN-A W,A Y-BA	1

- Item Not Illustrated

57-53-51

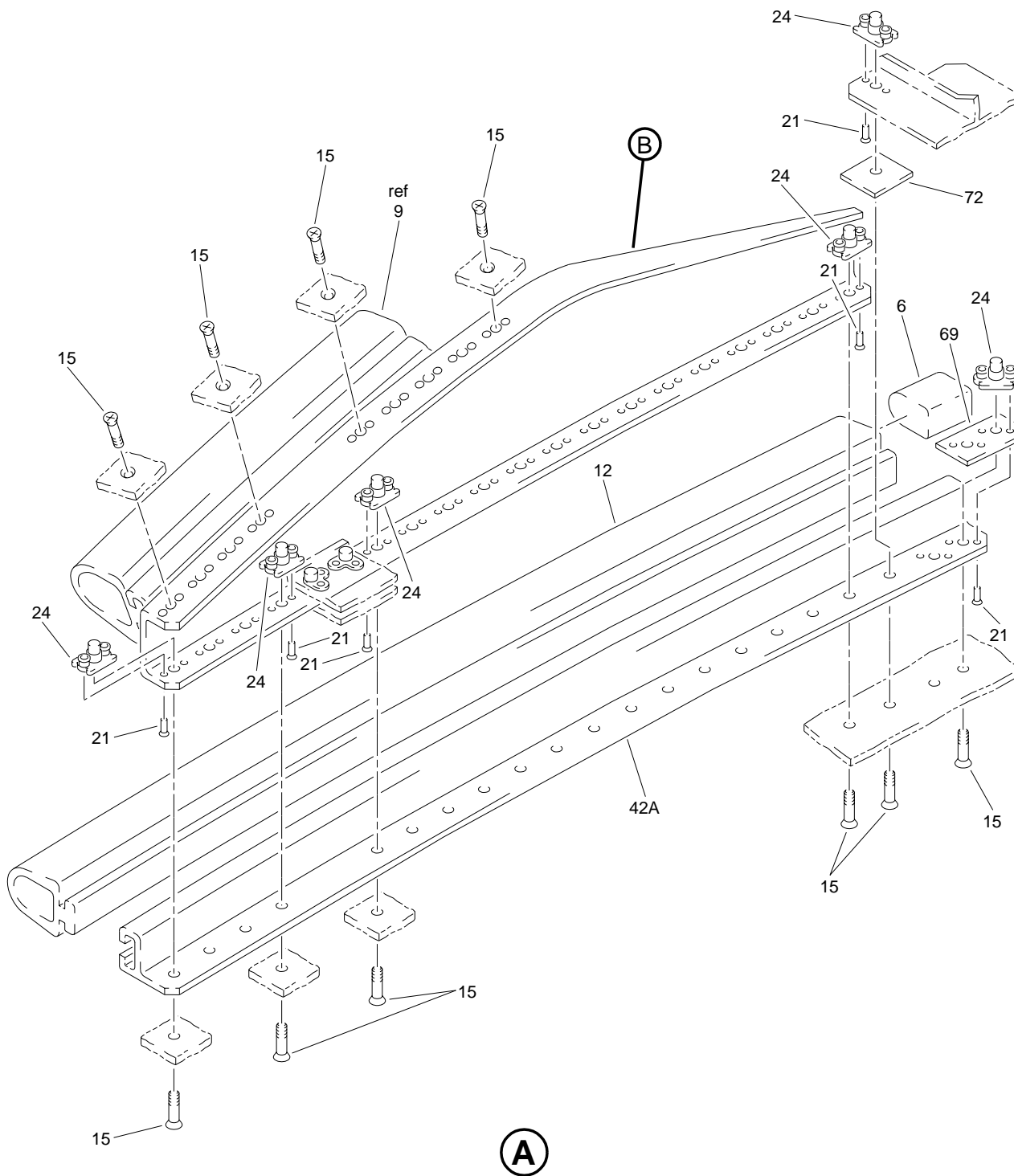
ILLUSTRATED PARTS LIST
 01.1 Page 1058
 Nov 01/04



Outboard Trailing Edge Flap Assembly
Figure 6 (Sheet 1)

57-53-51

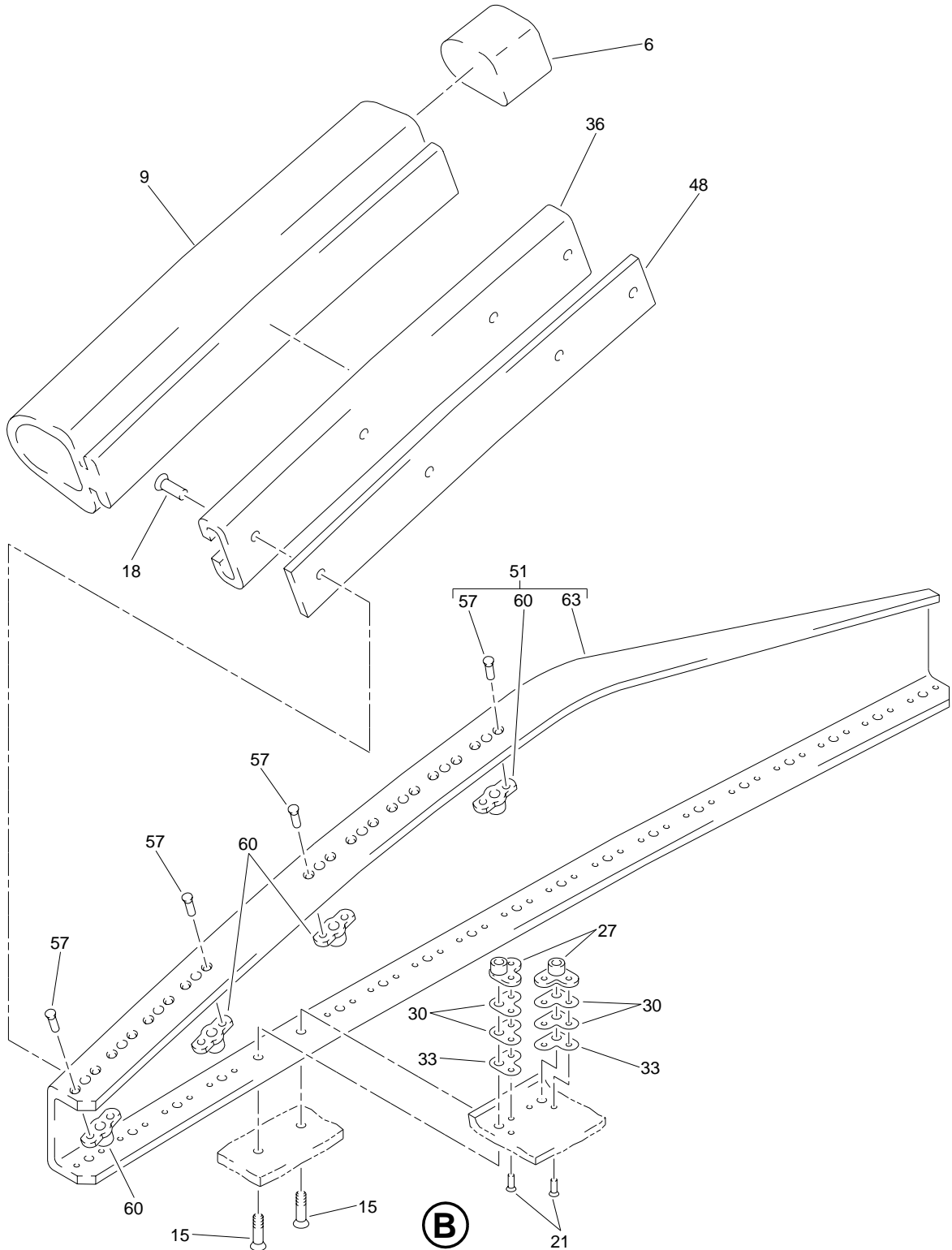
ILLUSTRATED PARTS LIST
01.1 Page 1058A
Nov 01/04



Outboard Trailing Edge Flap Assembly
Figure 6 (Sheet 2)

57-53-51

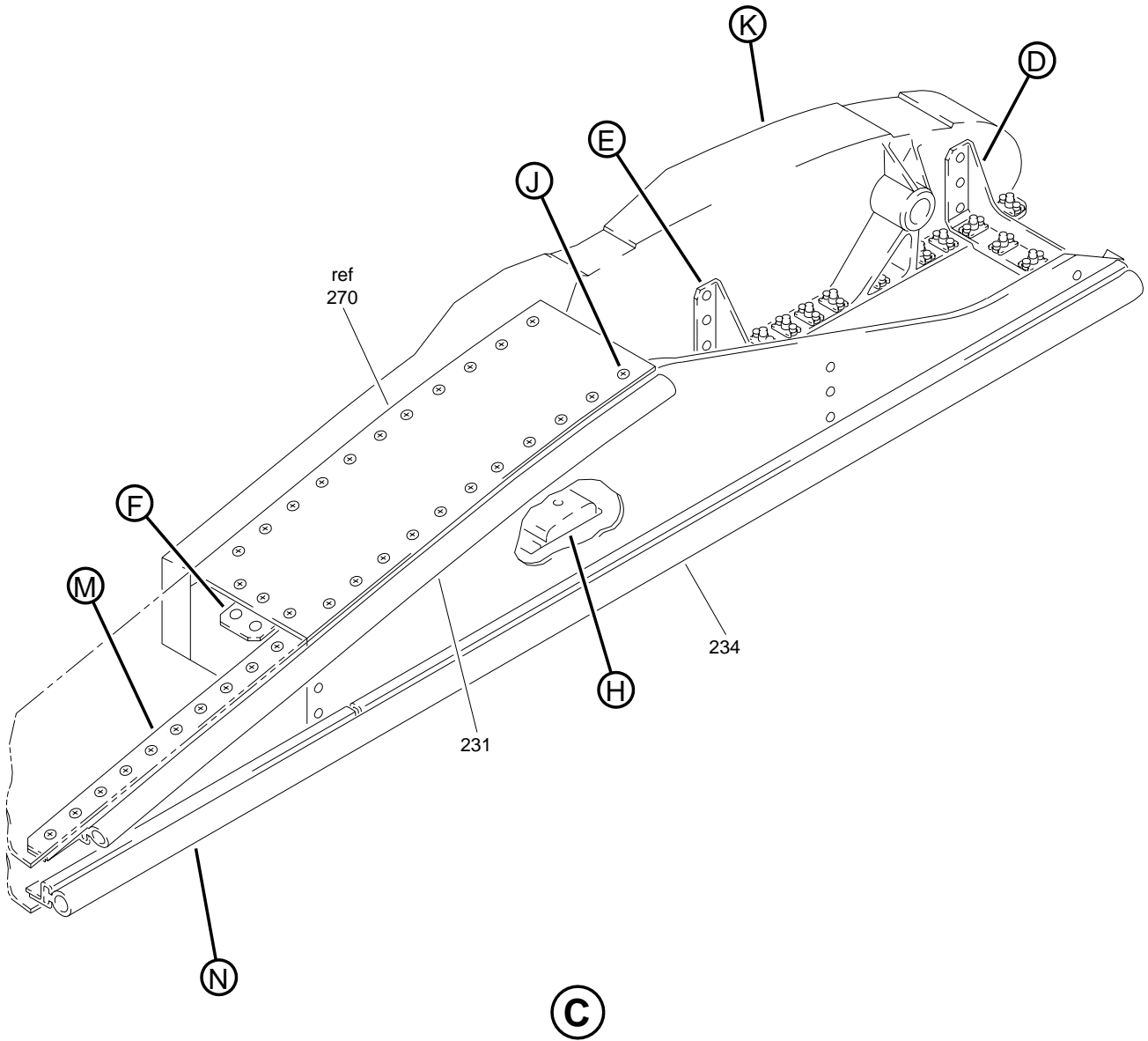
ILLUSTRATED PARTS LIST
01.1 Page 1058B
Nov 01/04



Outboard Trailing Edge Flap Assembly
Figure 6 (Sheet 3)

57-53-51

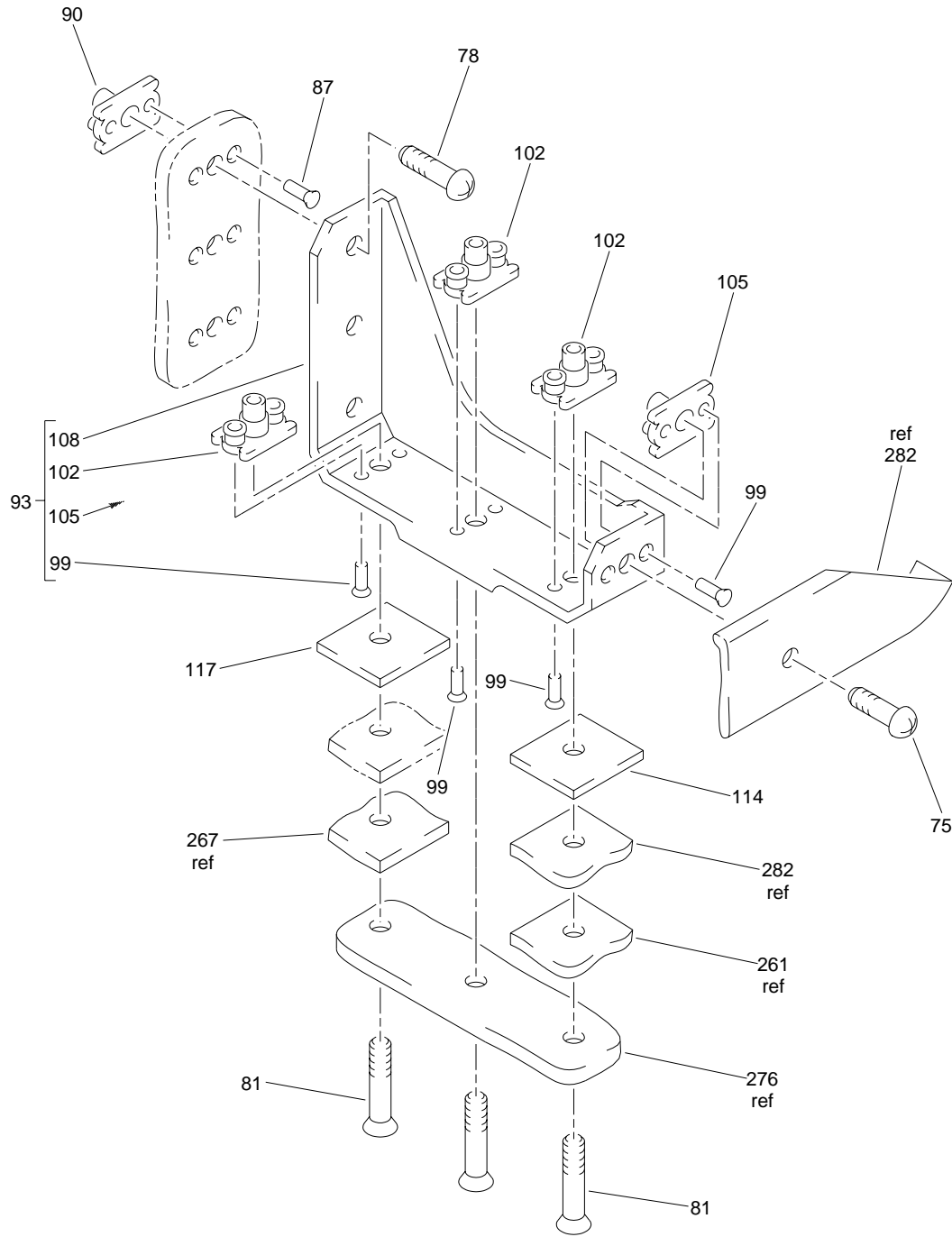
ILLUSTRATED PARTS LIST
01.1 Page 1058C
Nov 01/04



Outboard Trailing Edge Flap Assembly
Figure 6 (Sheet 4)

57-53-51

ILLUSTRATED PARTS LIST
01.1 Page 1058D
Nov 01/04

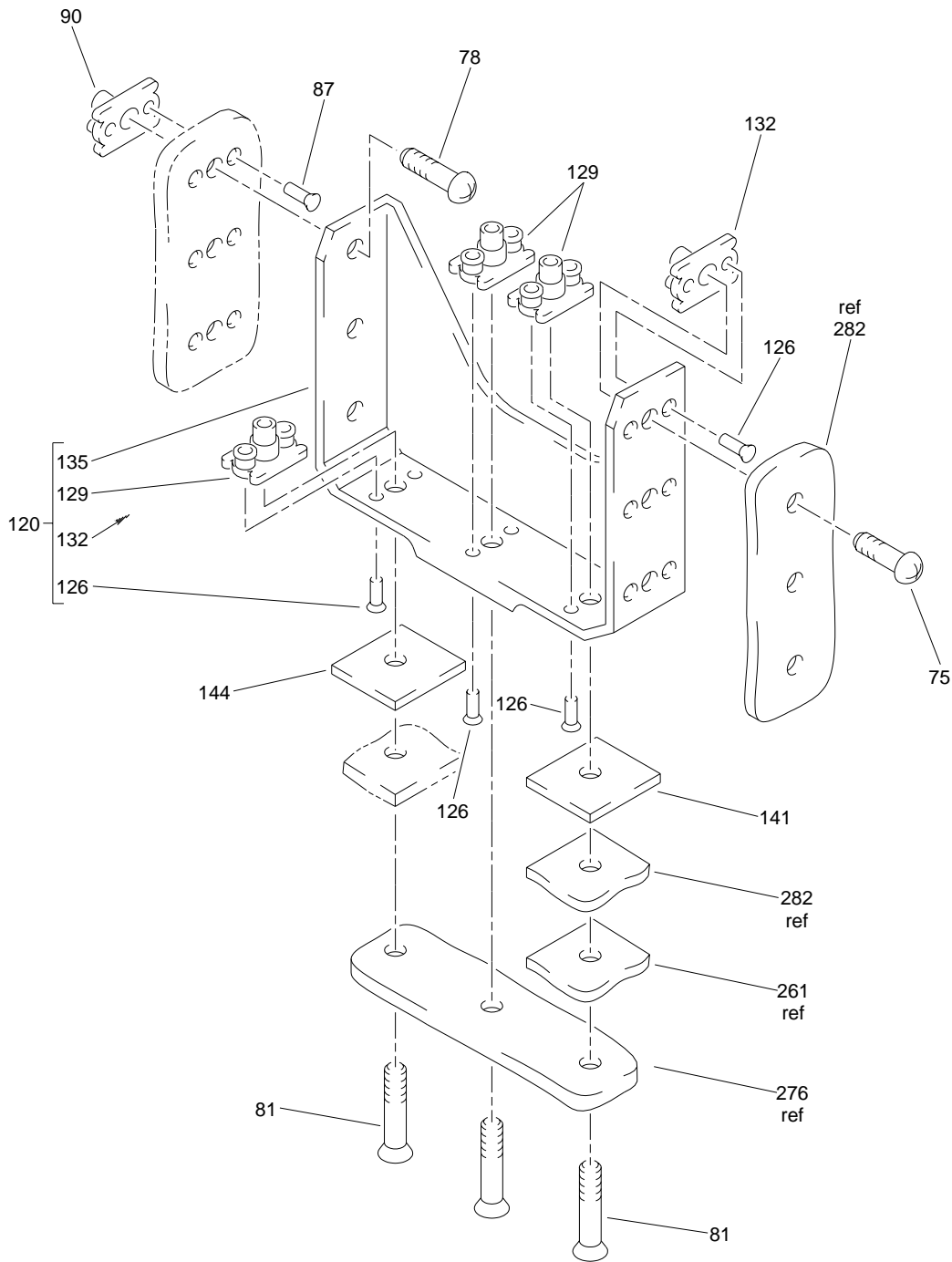


(D)

Outboard Trailing Edge Flap Assembly
 Figure 6 (Sheet 5)

57-53-51

ILLUSTRATED PARTS LIST
 01.1 Page 1058E
 Nov 01/04

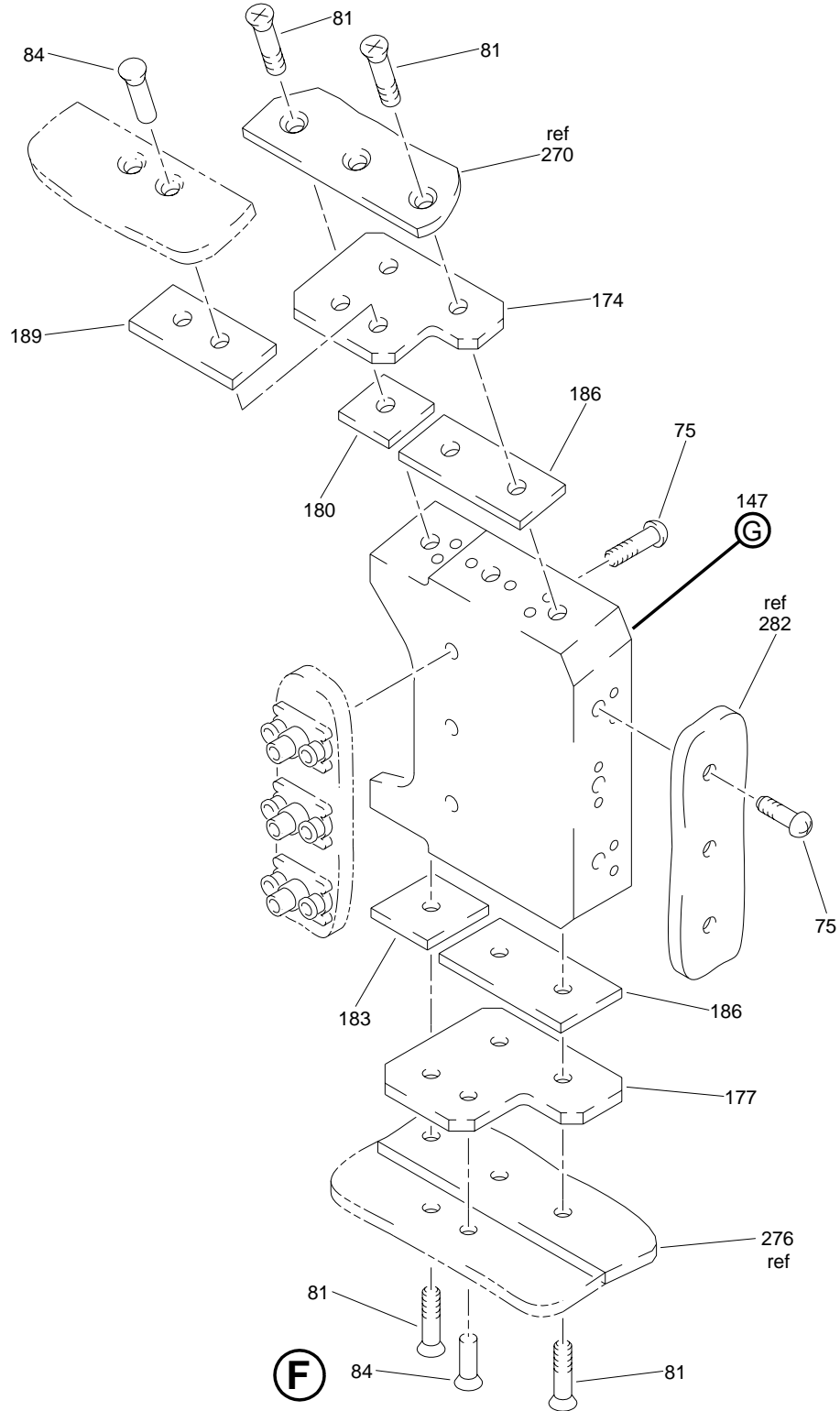


(E)

Outboard Trailing Edge Flap Assembly
 Figure 6 (Sheet 6)

57-53-51

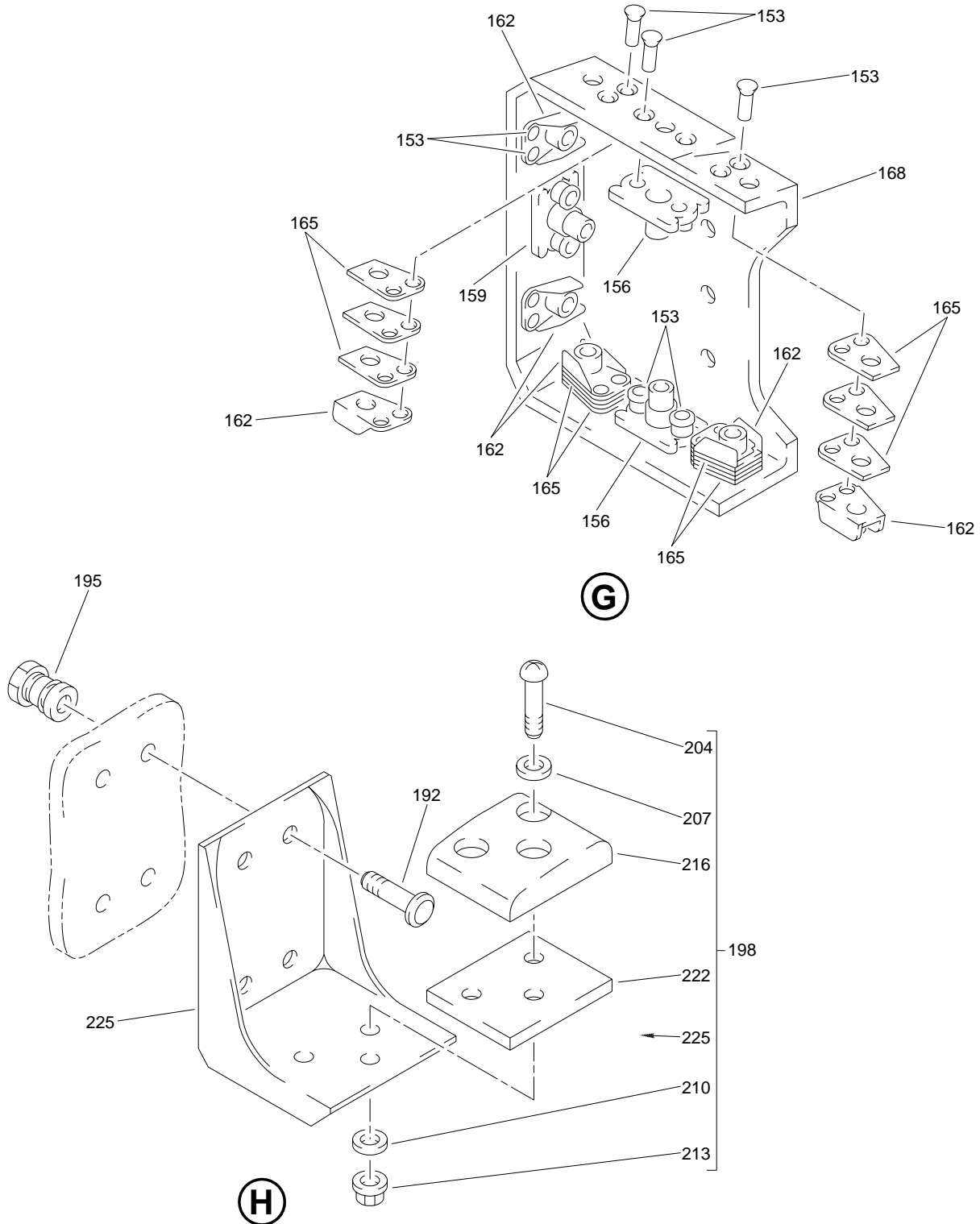
ILLUSTRATED PARTS LIST
 01.1 Page 1058F
 Nov 01/04



Outboard Trailing Edge Flap Assembly
Figure 6 (Sheet 7)

57-53-51

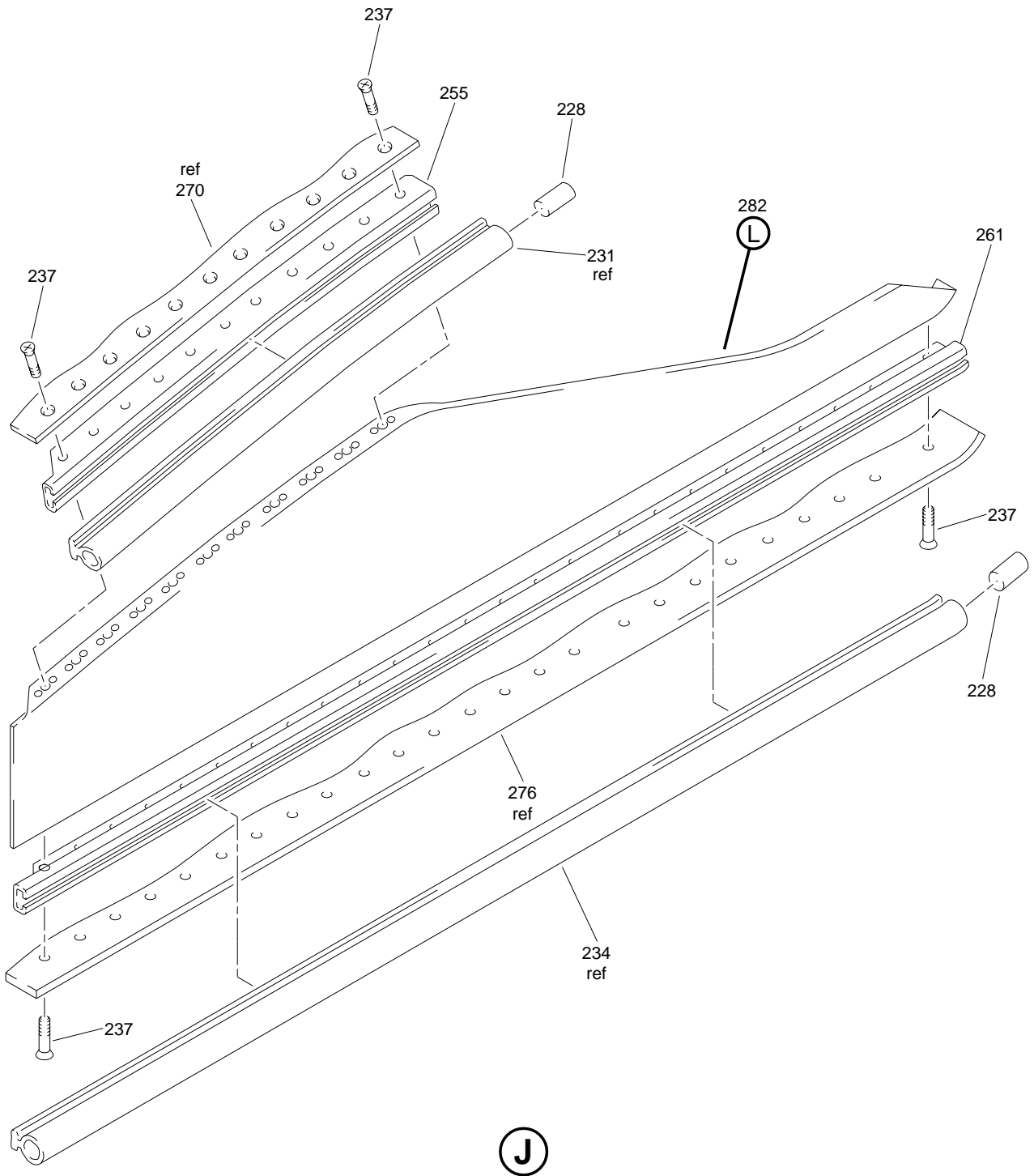
ILLUSTRATED PARTS LIST
01.1 Page 1058G
Nov 01/04



**Outboard Trailing Edge Flap Assembly
 Figure 6 (Sheet 8)**

57-53-51

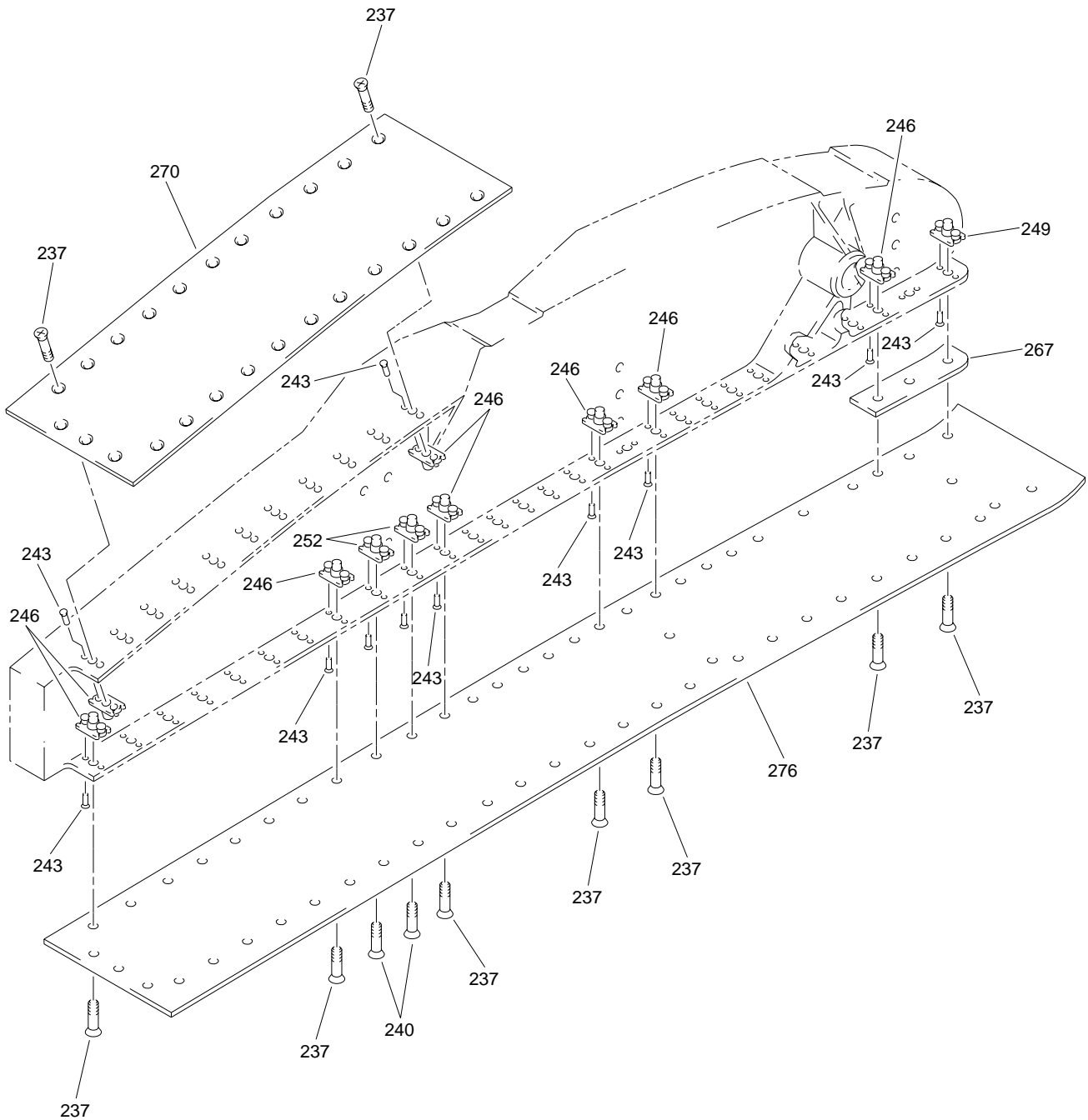
ILLUSTRATED PARTS LIST
 01.1 Page 1058H
 Nov 01/04



Outboard Trailing Edge Flap Assembly
Figure 6 (Sheet 9)

57-53-51

ILLUSTRATED PARTS LIST
01.1 Page 1058I
Nov 01/04

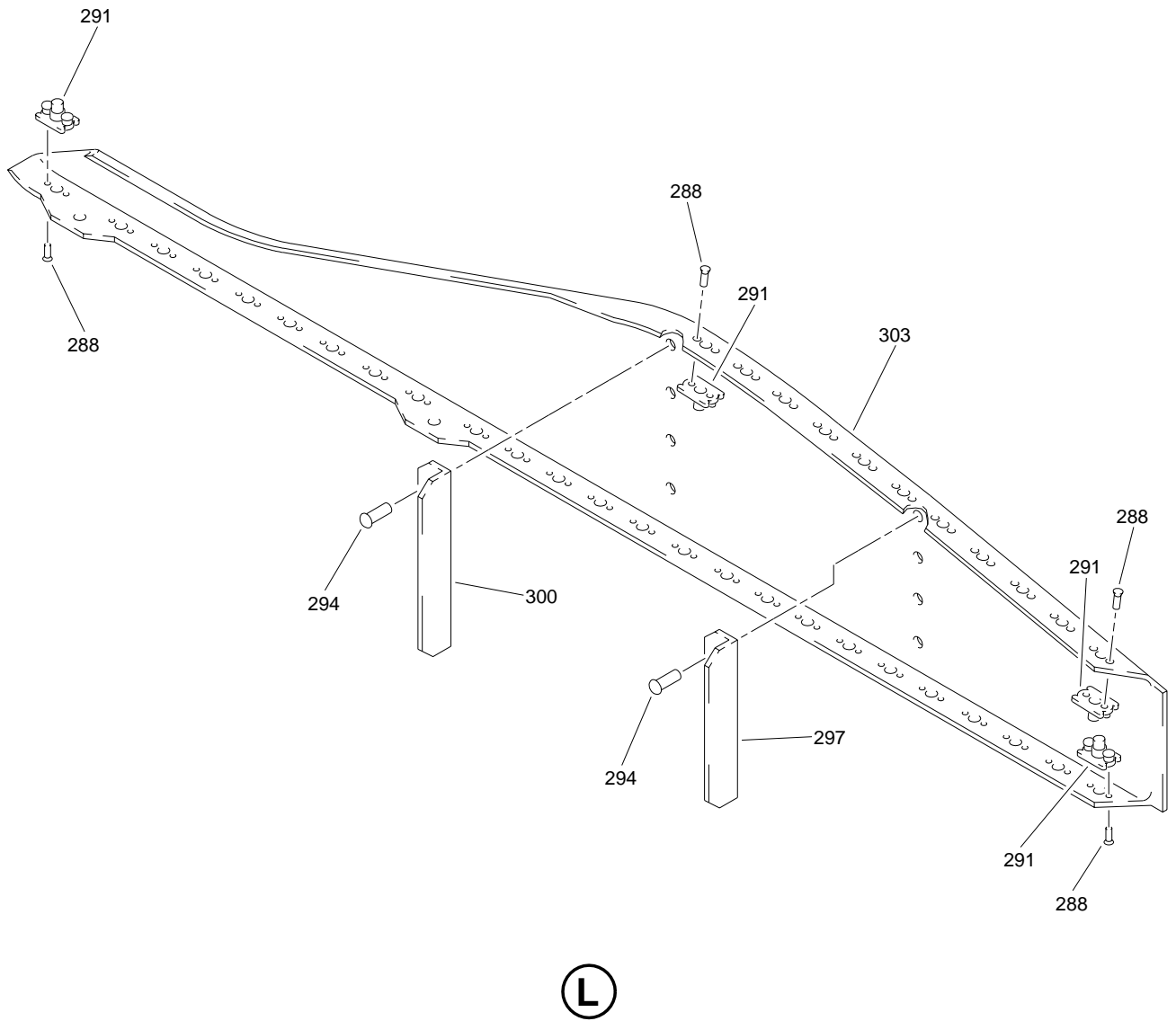


(K)

Outboard Trailing Edge Flap Assembly
Figure 6 (Sheet 10)

57-53-51

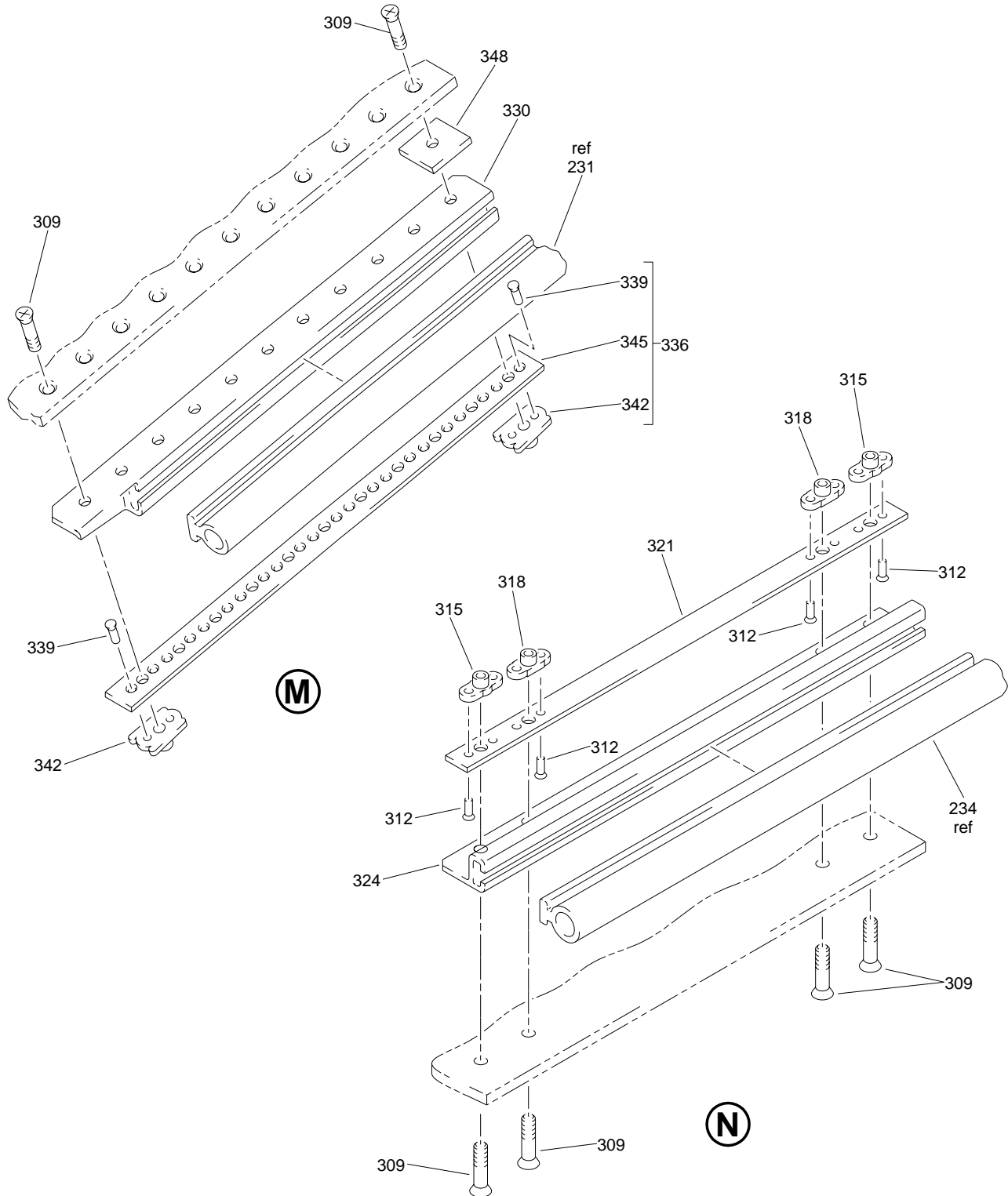
ILLUSTRATED PARTS LIST
01.1 Page 1058J
Nov 01/04



Outboard Trailing Edge Flap Assembly
Figure 6 (Sheet 11)

57-53-51

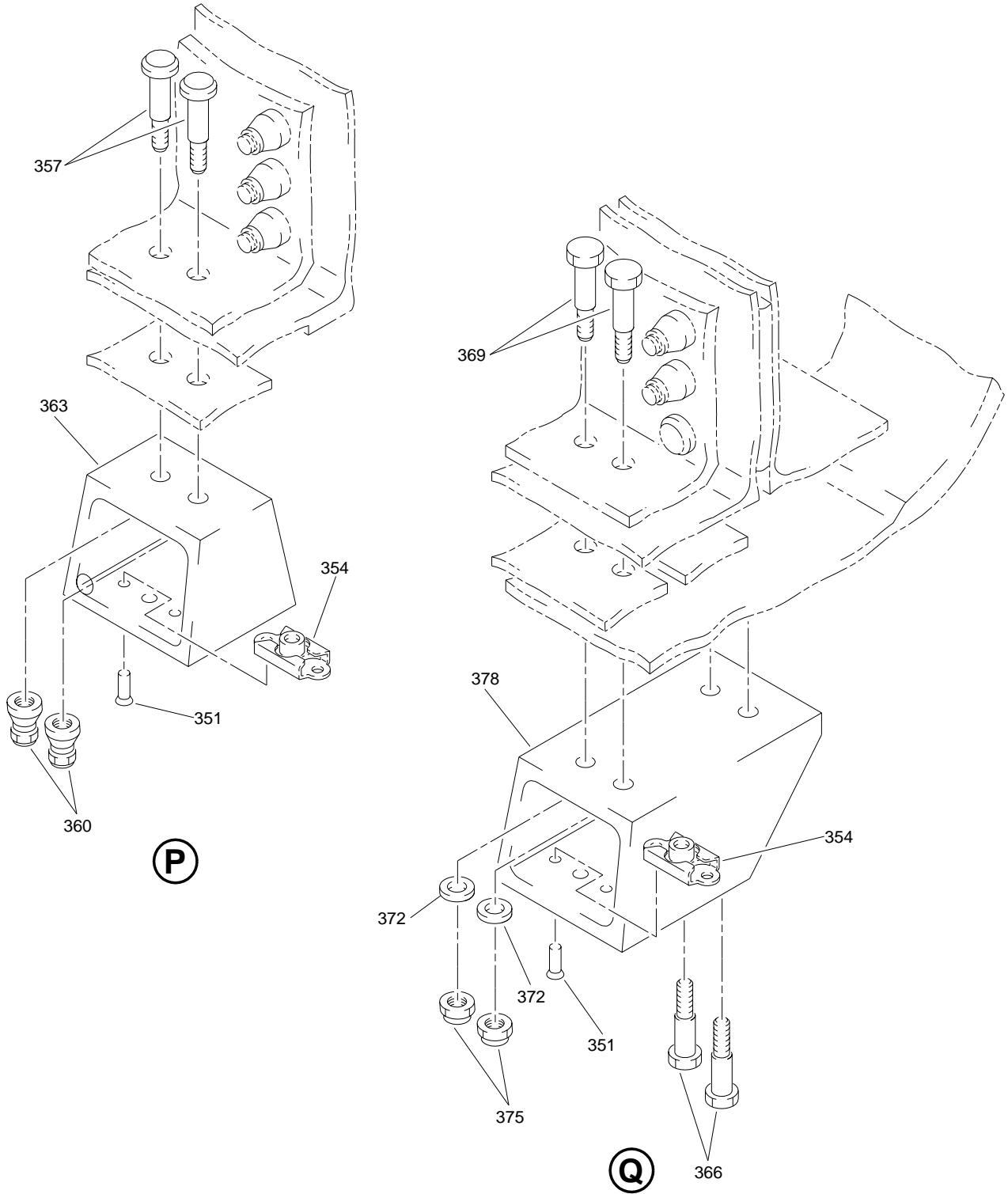
ILLUSTRATED PARTS LIST
01.1 Page 1058K
Nov 01/04



Outboard Trailing Edge Flap Assembly
 Figure 6 (Sheet 12)

57-53-51

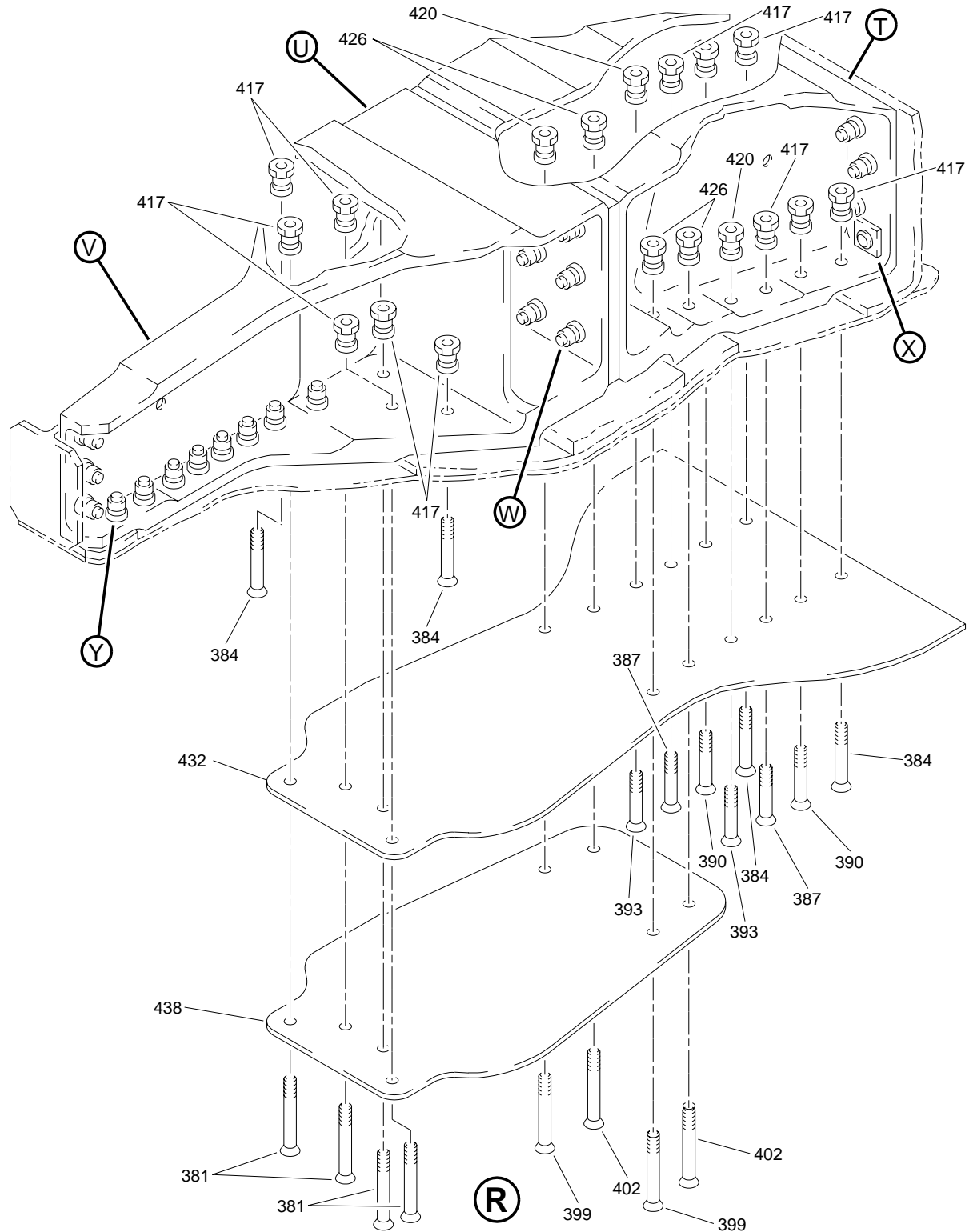
ILLUSTRATED PARTS LIST
 01.1 Page 1058L
 Nov 01/04



Outboard Trailing Edge Flap Assembly
Figure 6 (Sheet 13)

57-53-51

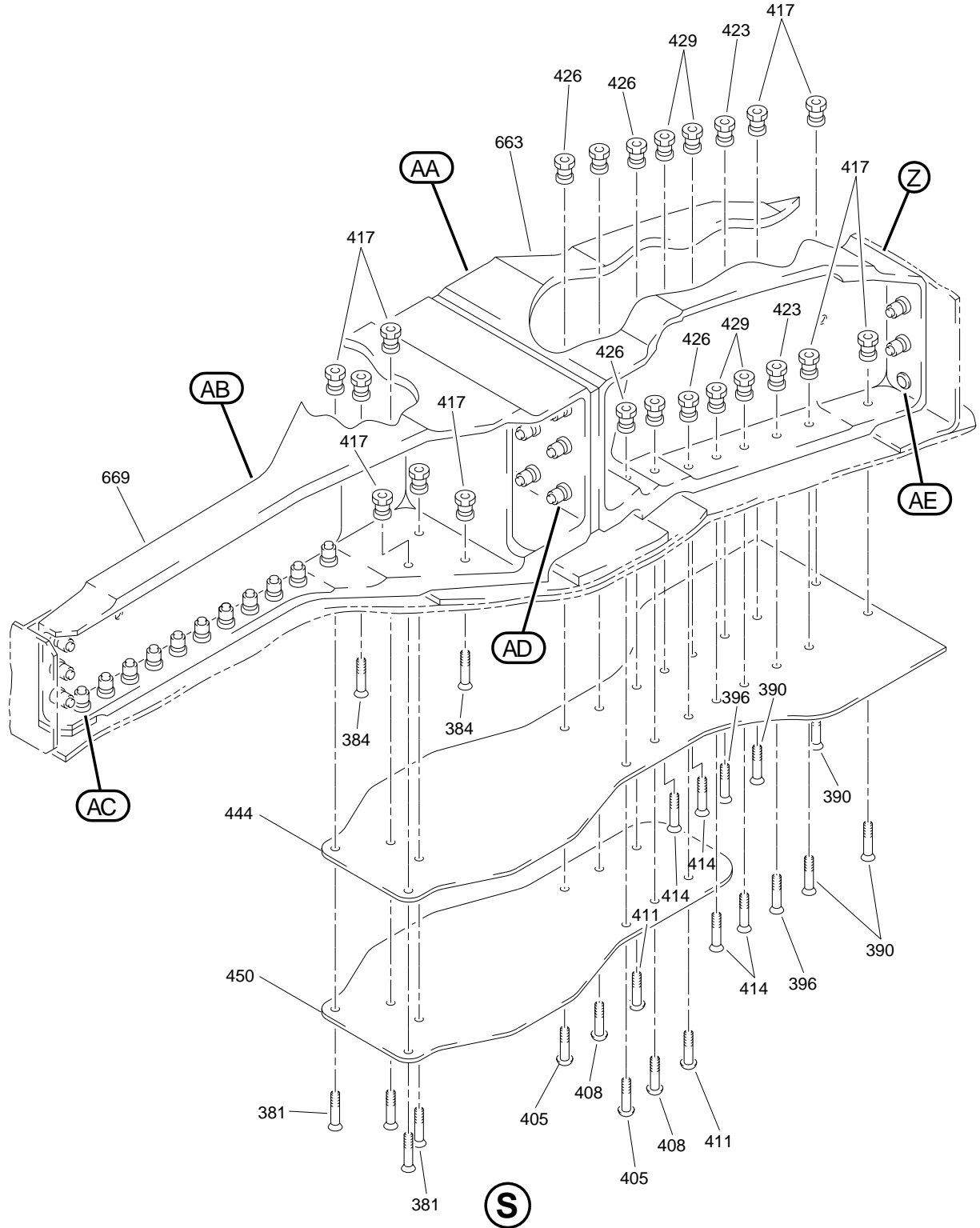
ILLUSTRATED PARTS LIST
01.1 Page 1058M
Nov 01/04



Outboard Trailing Edge Flap Assembly
Figure 6 (Sheet 14)

57-53-51

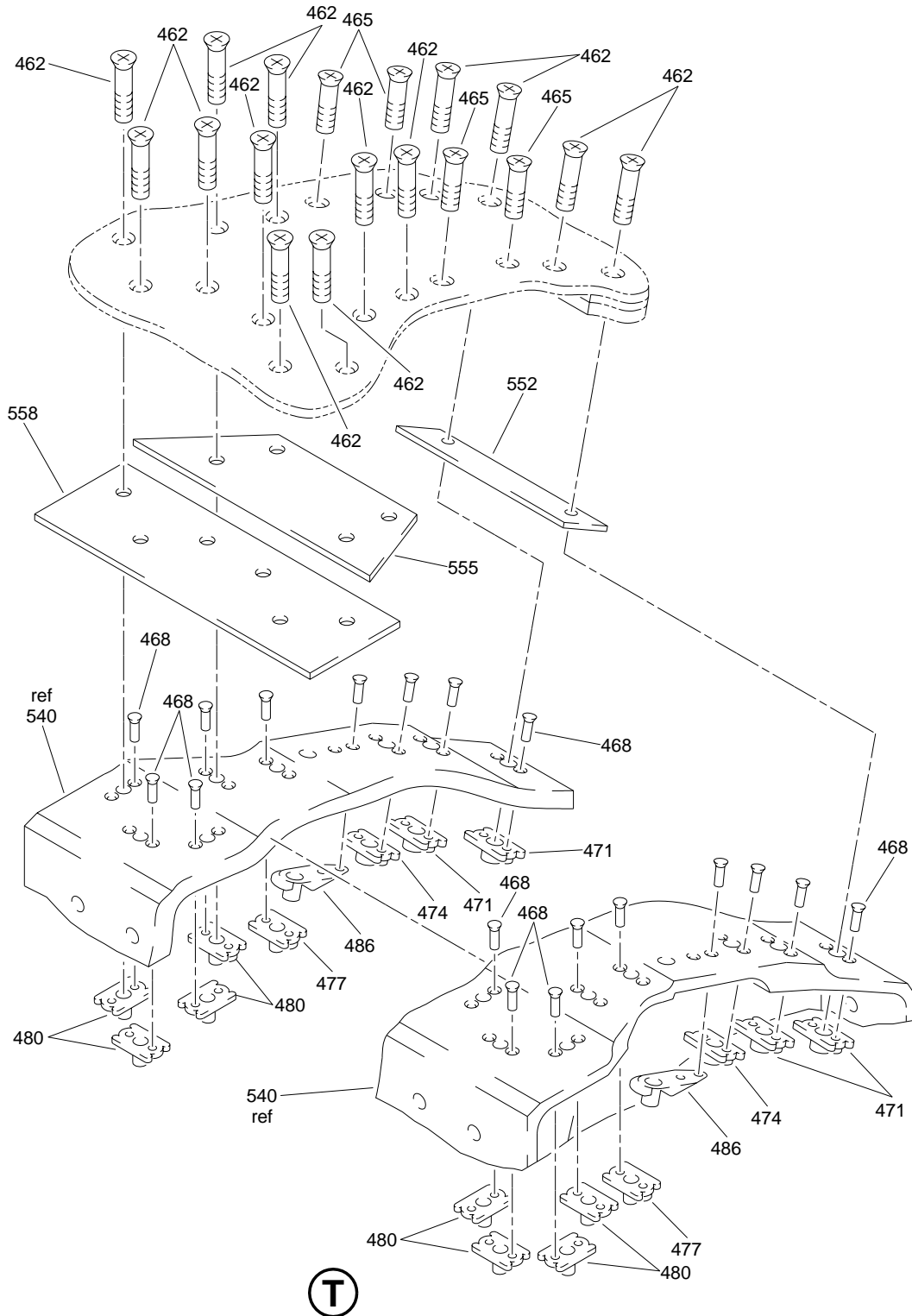
ILLUSTRATED PARTS LIST
01.1 Page 1058N
Nov 01/04



Outboard Trailing Edge Flap Assembly
Figure 6 (Sheet 15)

57-53-51

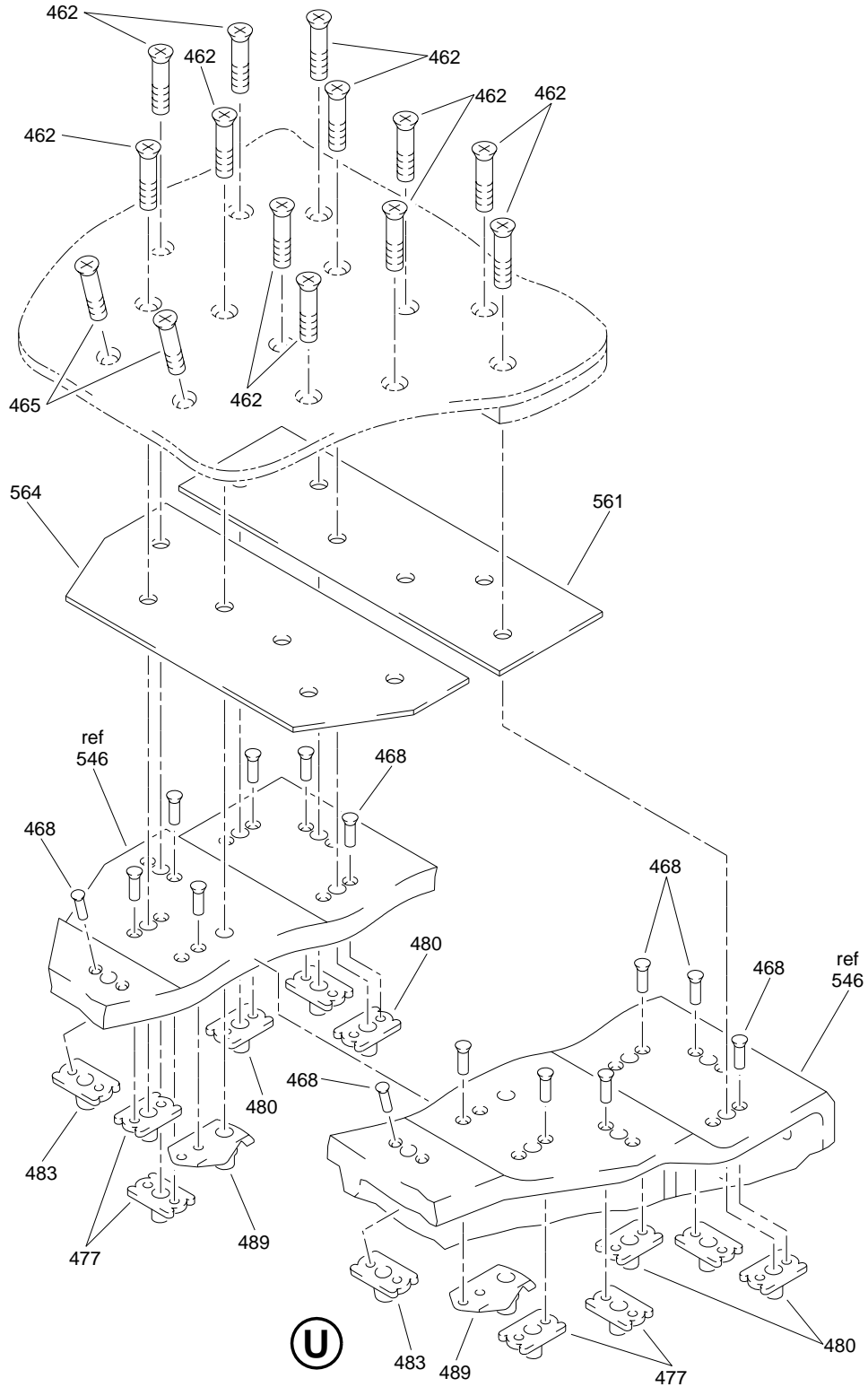
ILLUSTRATED PARTS LIST
01.1 Page 10580
Nov 01/04



Outboard Trailing Edge Flap Assembly
 Figure 6 (Sheet 16)

57-53-51

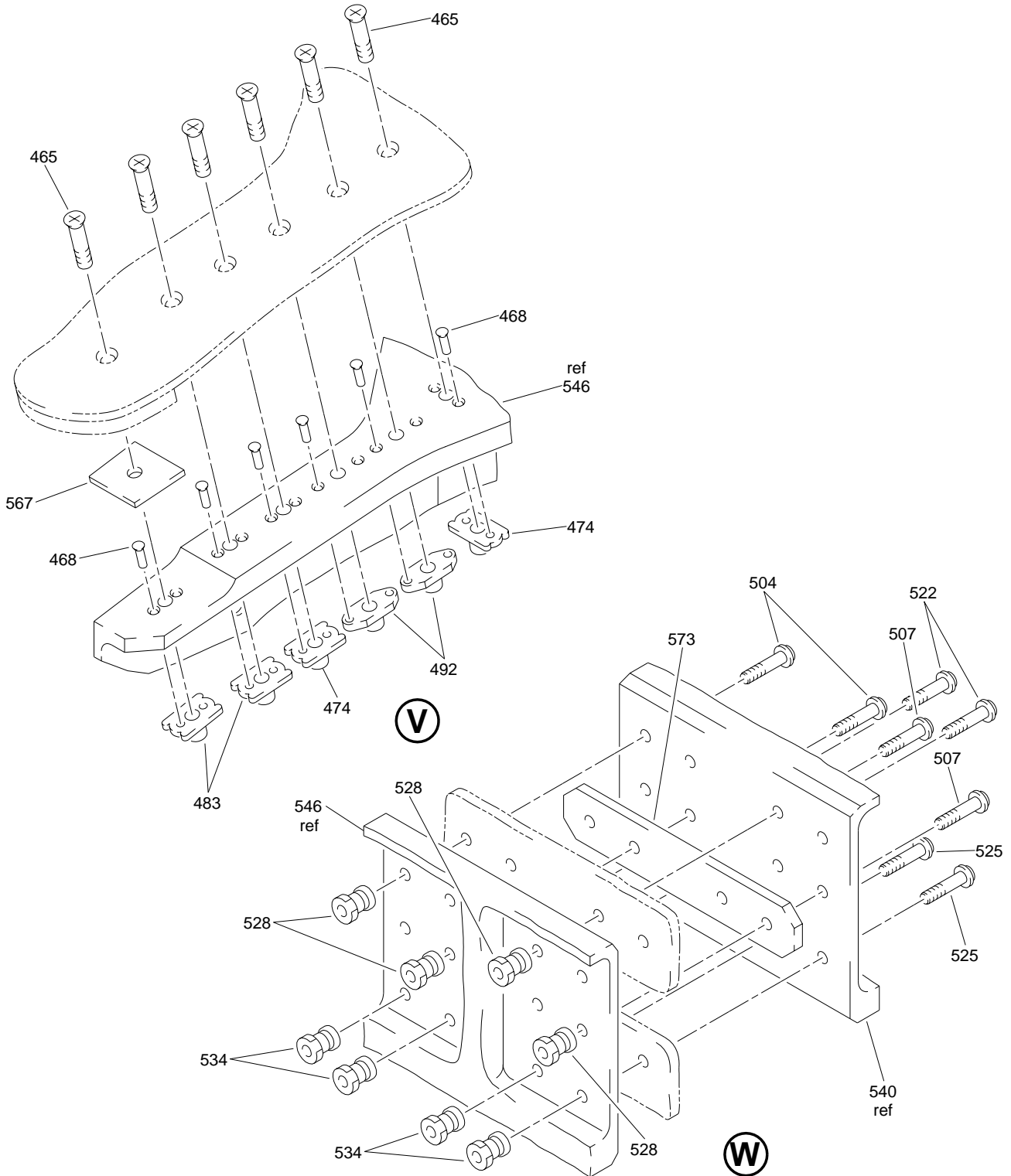
ILLUSTRATED PARTS LIST
 01.1 Page 1058P
 Nov 01/04



Outboard Trailing Edge Flap Assembly
Figure 6 (Sheet 17)

57-53-51

ILLUSTRATED PARTS LIST
01.1 Page 1058Q
Nov 01/04

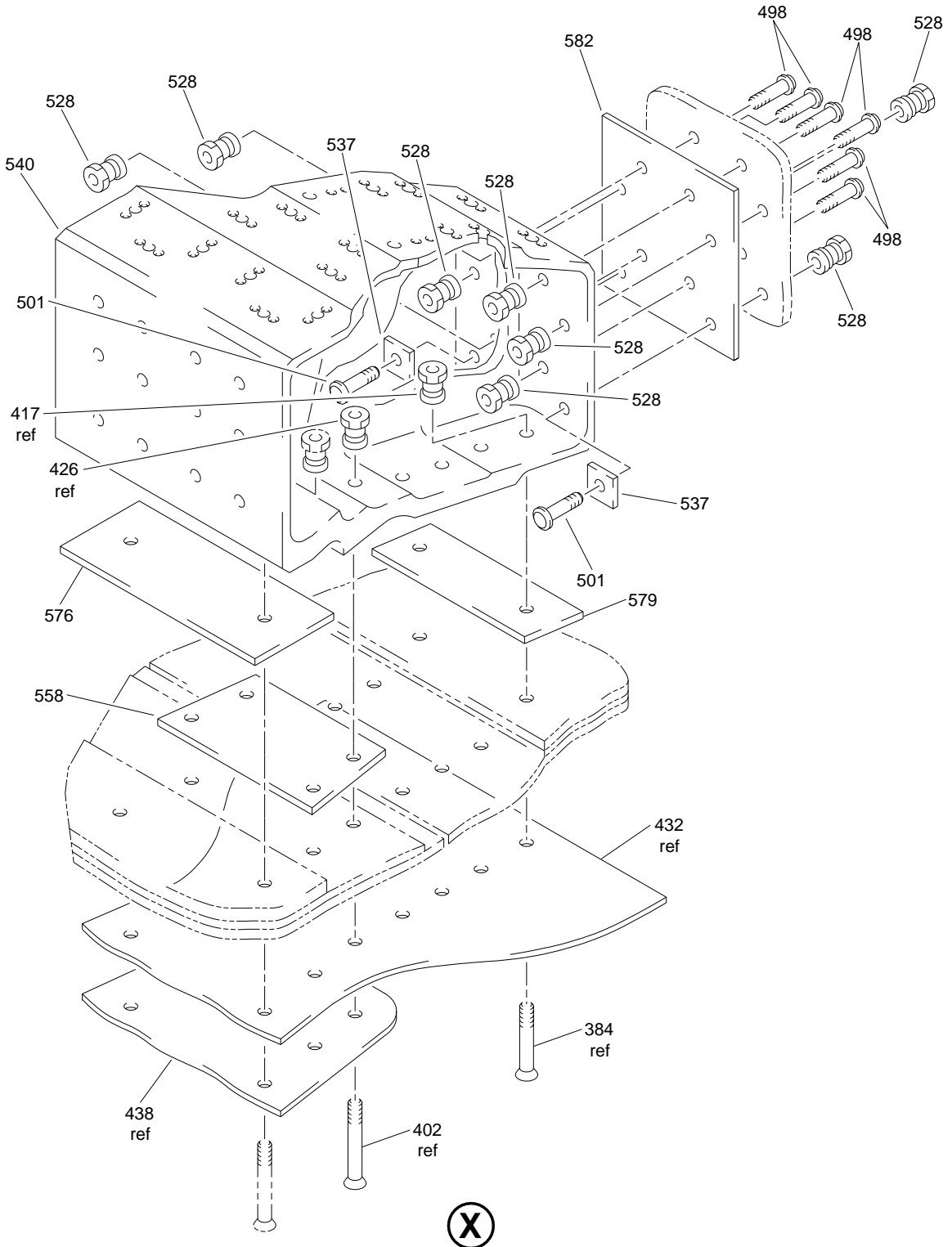


**Outboard Trailing Edge Flap Assembly
 Figure 6 (Sheet 18)**

57-53-51

ILLUSTRATED PARTS LIST
 01.1 Page 1058R
 Nov 01/04

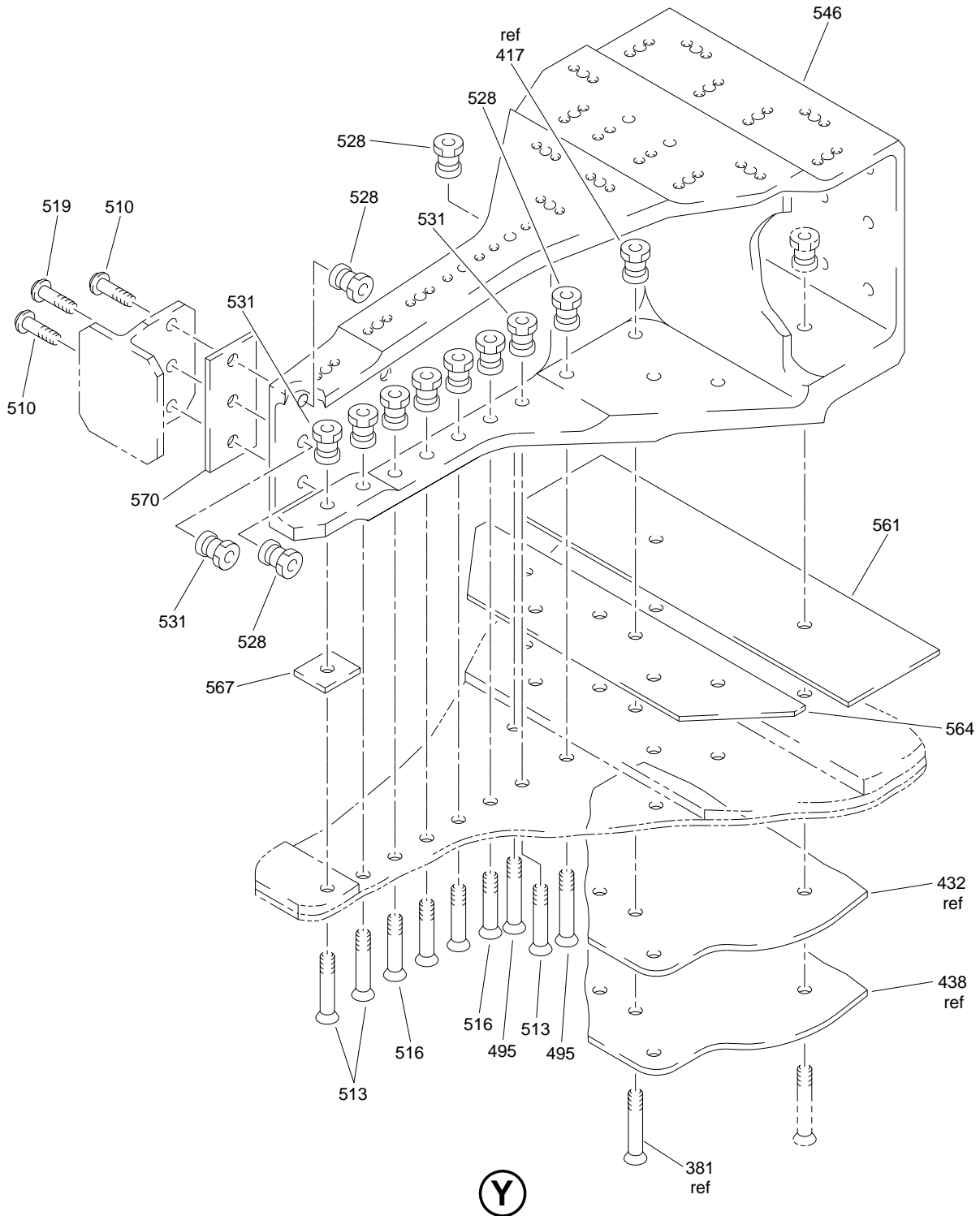
K33345



Outboard Trailing Edge Flap Assembly
 Figure 6 (Sheet 19)

57-53-51

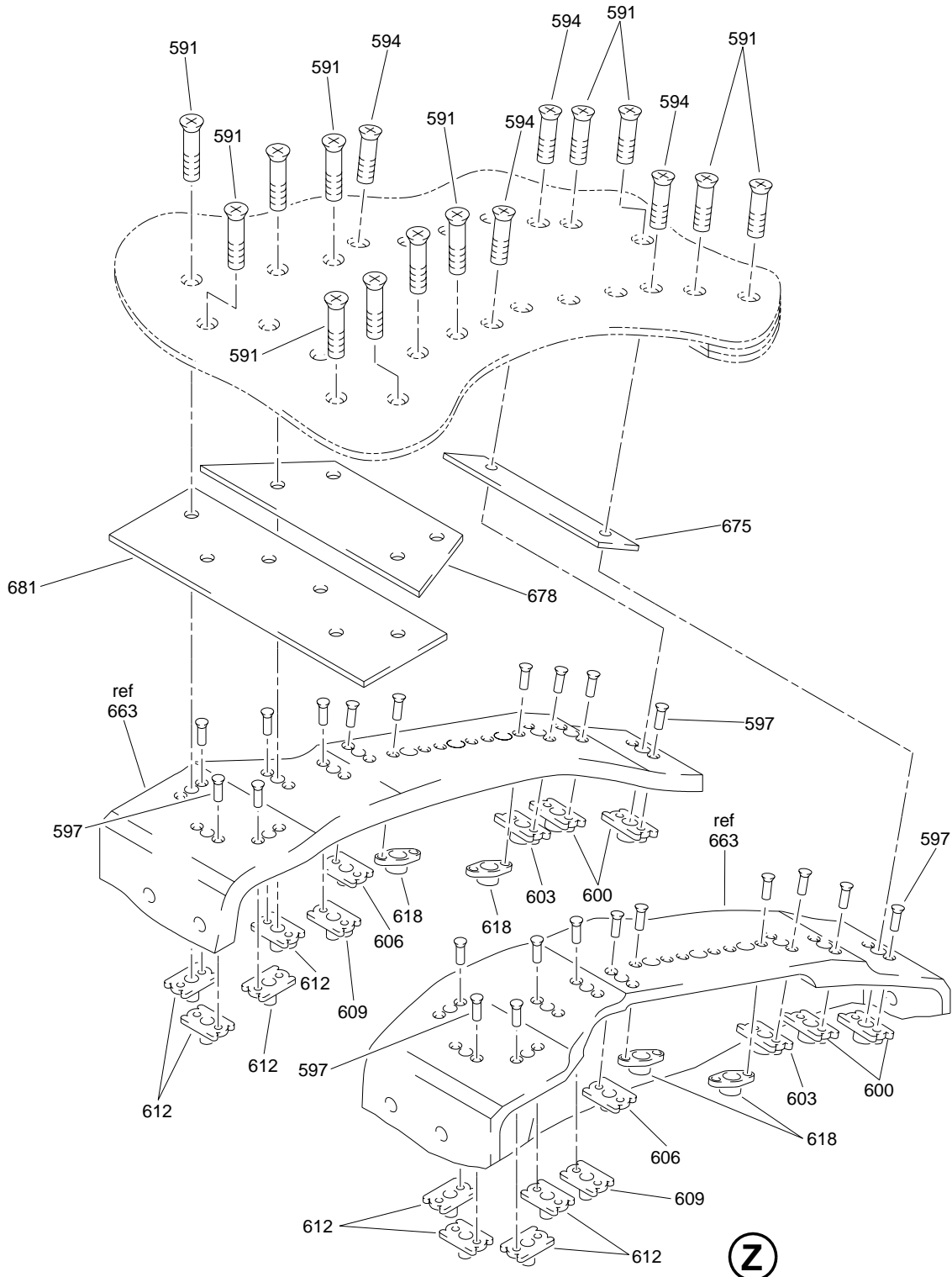
ILLUSTRATED PARTS LIST
 01.1 Page 1058S
 Nov 01/04



Outboard Trailing Edge Flap Assembly
Figure 6 (Sheet 20)

57-53-51

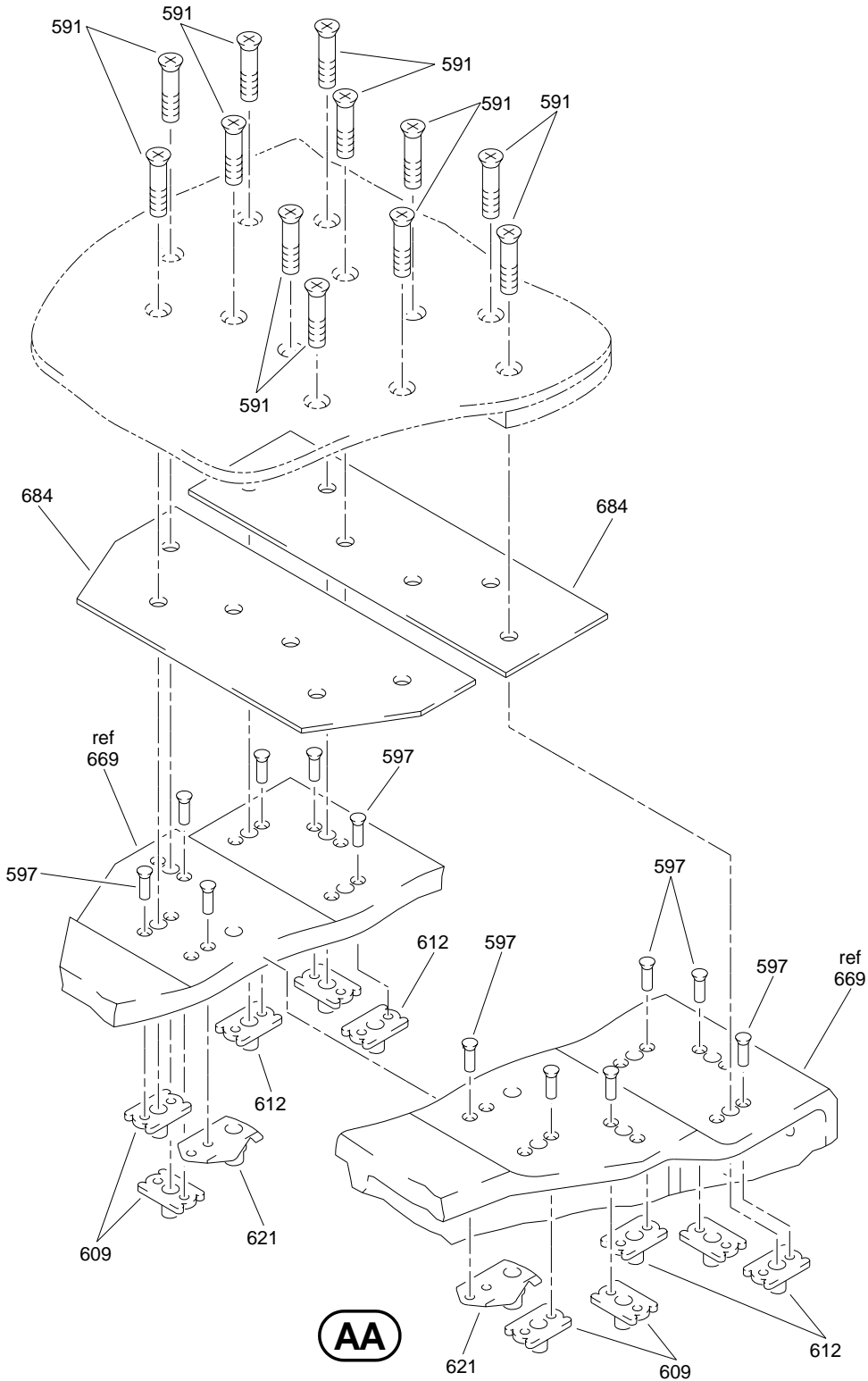
ILLUSTRATED PARTS LIST
01.1 Page 1058T
Nov 01/04



Outboard Trailing Edge Flap Assembly
Figure 6 (Sheet 21)

57-53-51

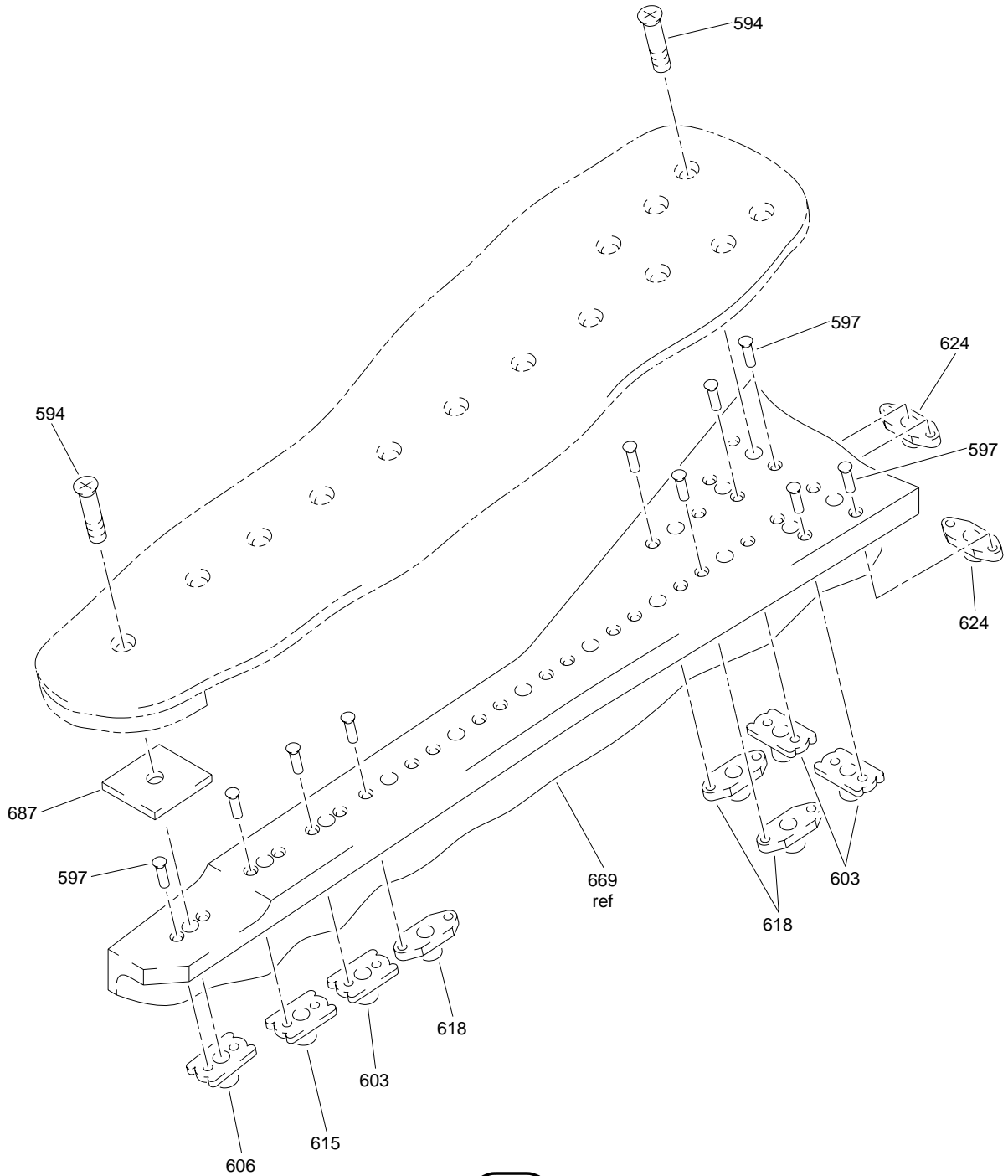
ILLUSTRATED PARTS LIST
01.1 Page 1058U
Nov 01/04



Outboard Trailing Edge Flap Assembly
 Figure 6 (Sheet 22)

57-53-51

ILLUSTRATED PARTS LIST
 01.1 Page 1058V
 Nov 01/04

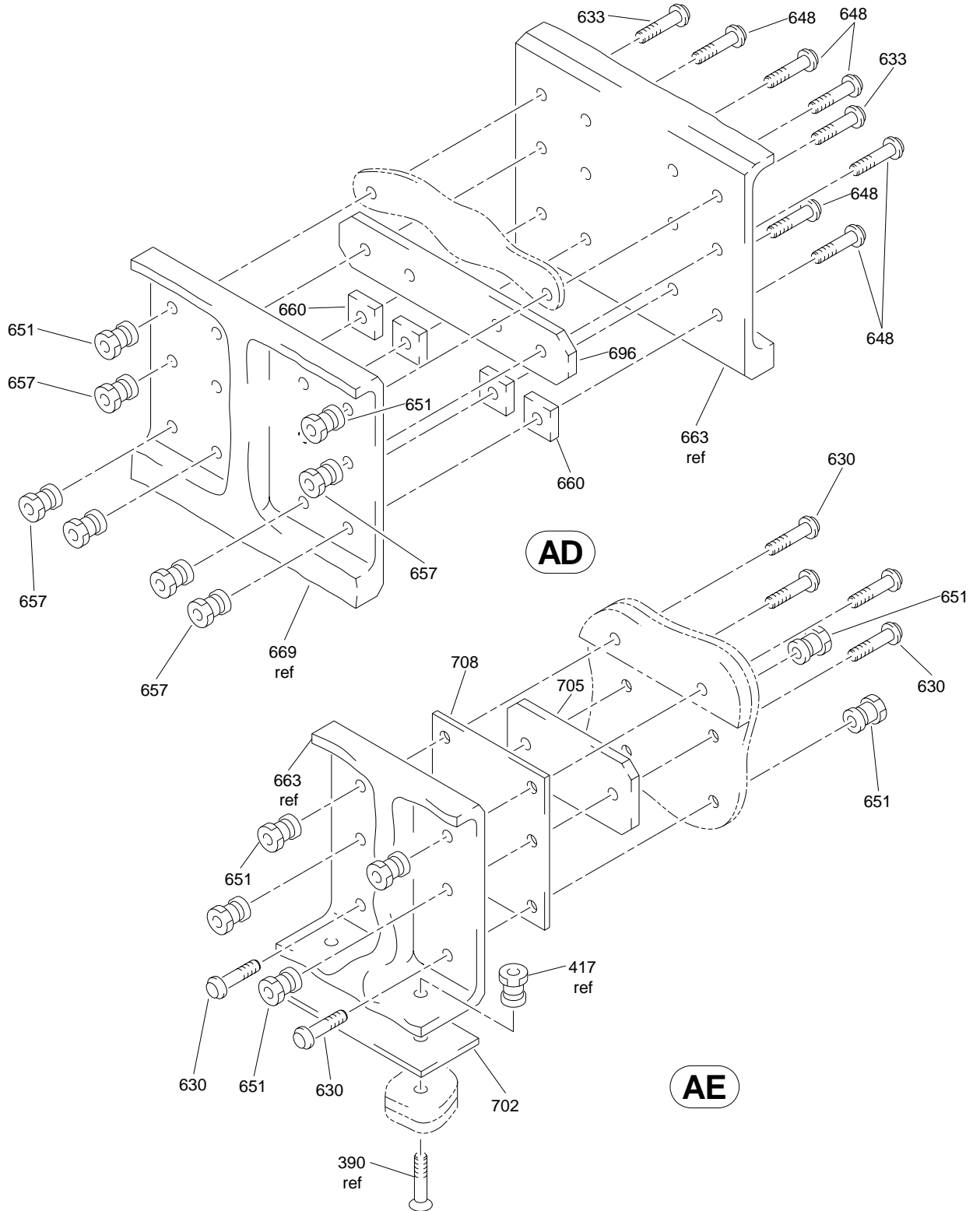


AB

Outboard Trailing Edge Flap Assembly
Figure 6 (Sheet 23)

57-53-51

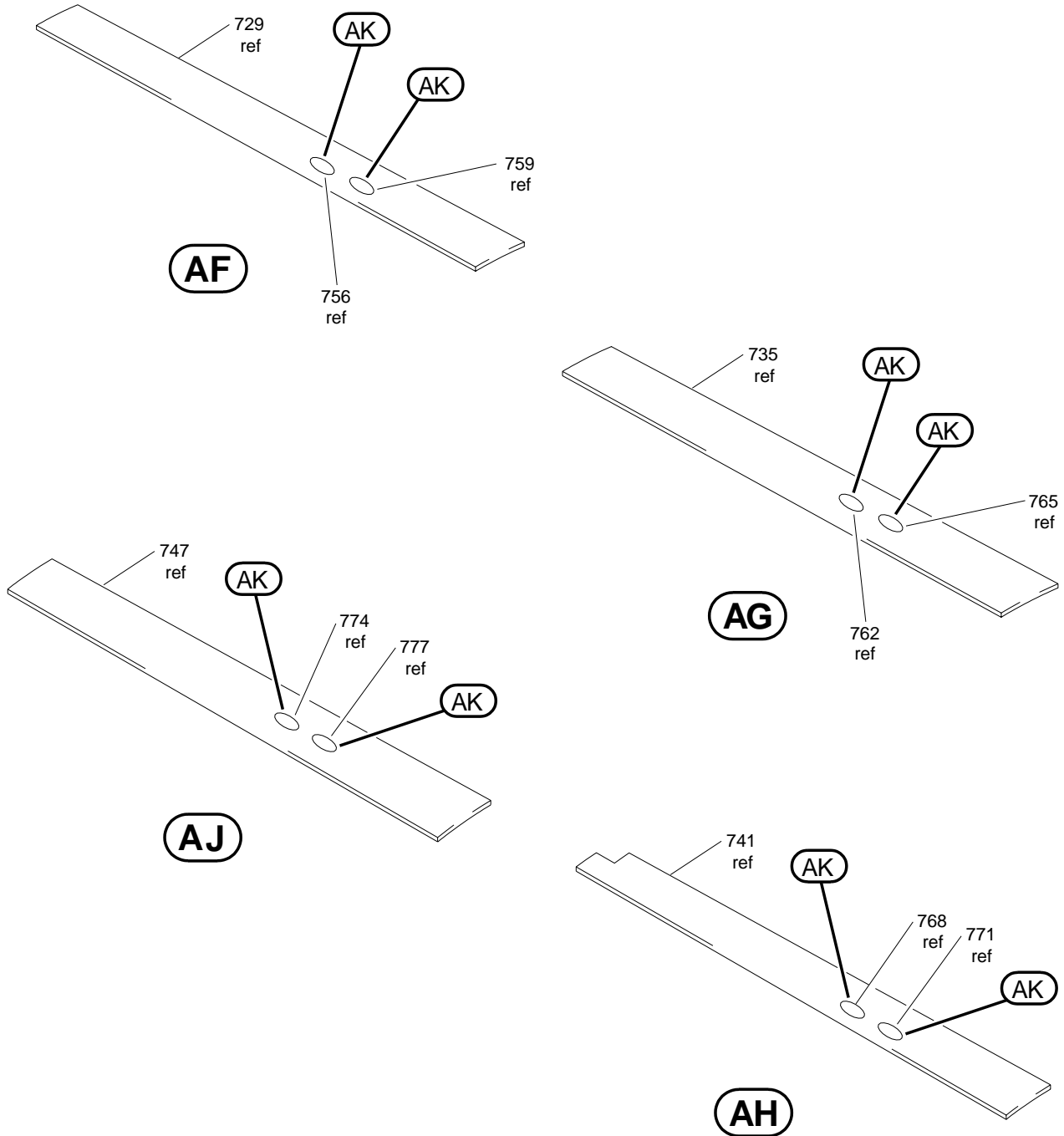
ILLUSTRATED PARTS LIST
01.1 Page 1058W
Nov 01/04



Outboard Trailing Edge Flap Assembly
Figure 6 (Sheet 25)

57-53-51

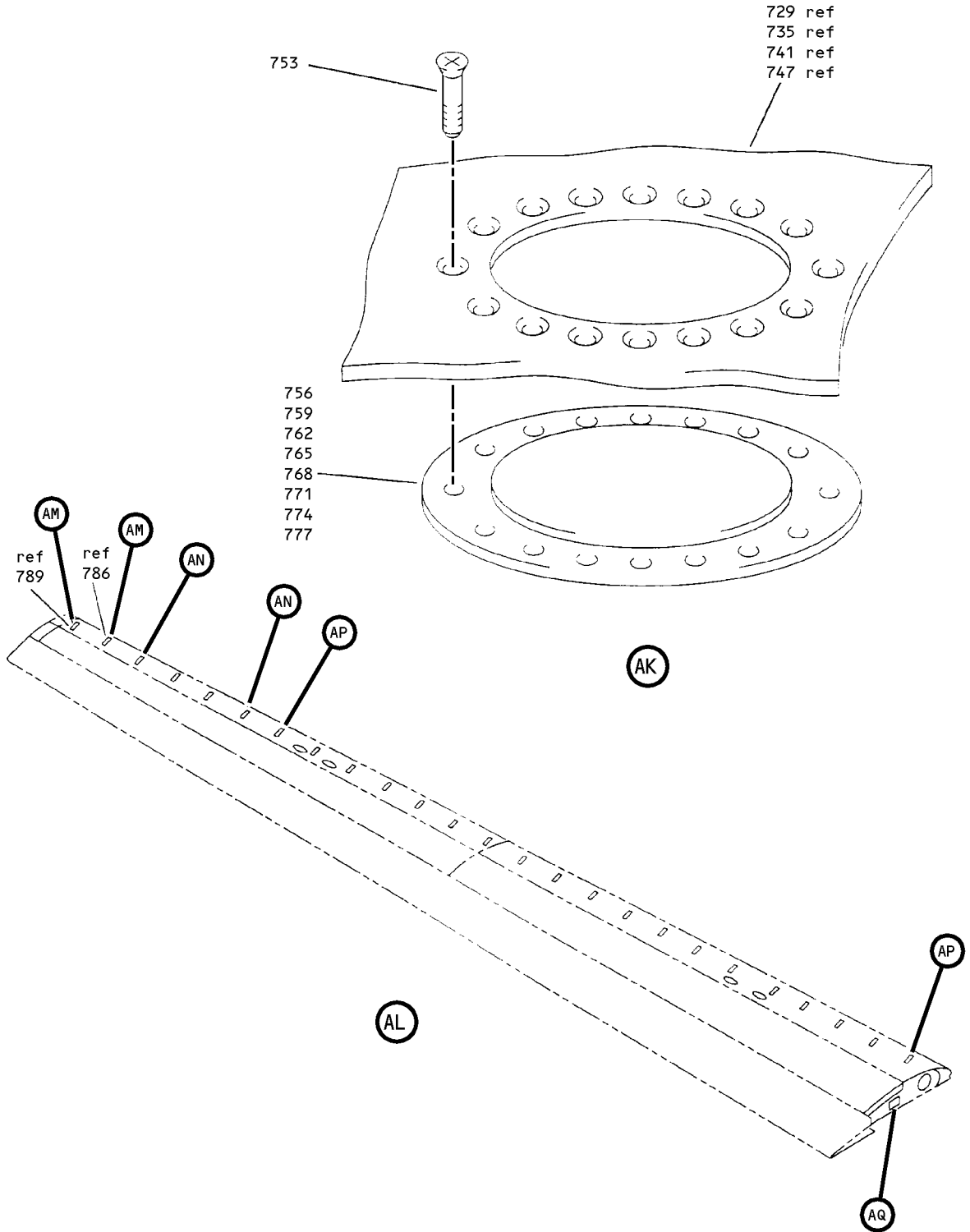
ILLUSTRATED PARTS LIST
01.1 Page 1058Y
Nov 01/04



Outboard Trailing Edge Flap Assembly
Figure 6 (Sheet 26)

57-53-51

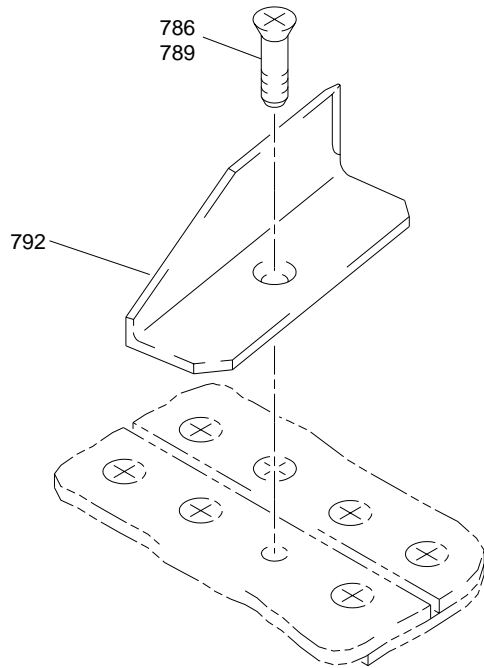
ILLUSTRATED PARTS LIST
01.1 Page 1058Z
Nov 01/04



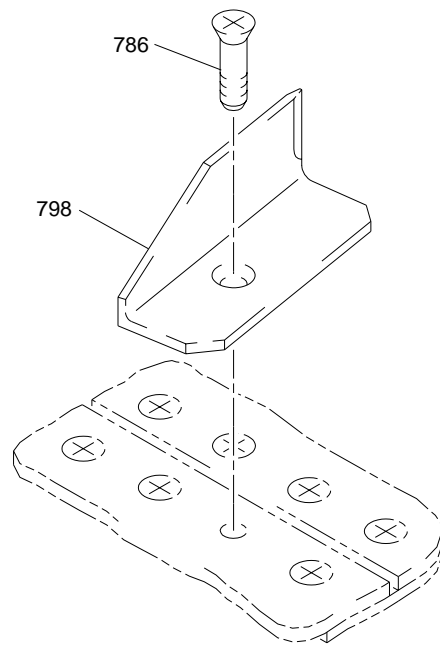
Outboard Trailing Edge Flap Assembly
Figure 6 (Sheet 27)

57-53-51

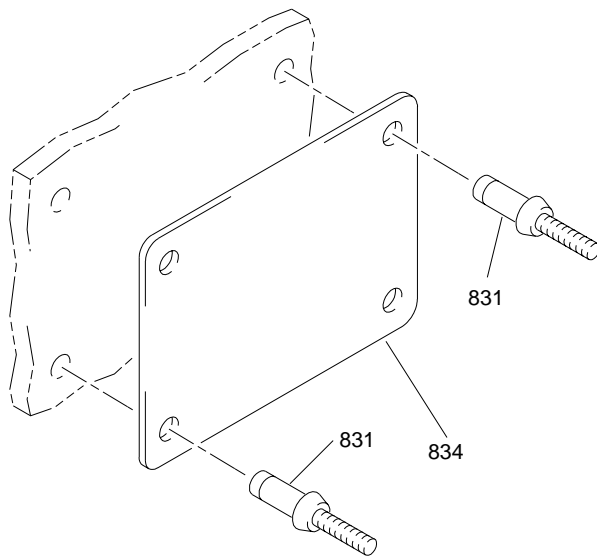
ILLUSTRATED PARTS LIST
01.1 Page 1059
Nov 01/04



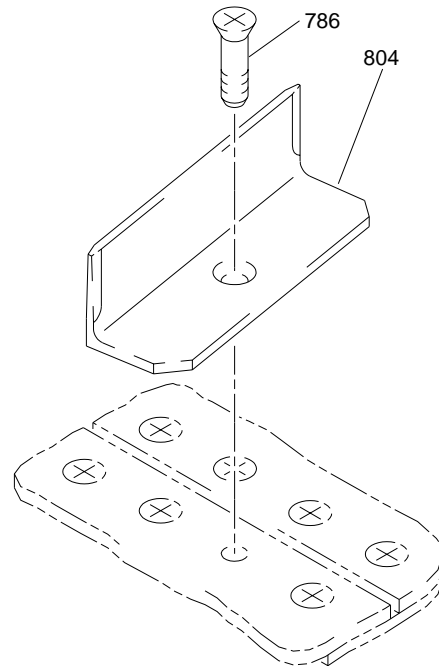
AM



AN



AQ



AP

Outboard Trailing Edge Flap Assembly
 Figure 6 (Sheet 28)

57-53-51

ILLUSTRATED PARTS LIST
 01.1 Page 1060
 Nov 01/04


BOEING
 COMPONENT
 MAINTENANCE MANUAL

FIG. & ITEM	PART NO.	AIRLINE PART NUMBER	NOMENCLATURE 1234567	EFF CODE	QTY PER ASSY
06-			DELETED		
-1A	113T3100-401SP		FLAP ASSY-OUTBD TE (LH)	AK	RF
-1B	113T3100-401G		FLAP ASSY-OUTBD TE (LH)	BB	RF
R -1C	113T3100-451G		DELETED		
-3	113T3100-402SP		FLAP ASSY-OUTBD TE (RH)	AM	RF
-3A	113T3100-402G		FLAP ASSY-OUTBD TE (RH)	BC	RF
R -3B	113T3100-452G		.PLUG-END	AK,AM	2
6	113T3100-50		(MFD FROM SH RUBBER BMS1-23 0.65 X 1.0 X 1.5 IN)	,BB,B C	
9	113T3100-49		.SEAL-	AK,AM	1
			(MFD FROM EXTR RUBBER 10-60754-93 9.2 IN)	,BB,B C	
12	113T3100-48		.SEAL-	AK,AM	1
			(MFD FROM EXTR RUBBER 10-60754-93 22.3 IN)	,BB,B C	
15	BACB30NN3K8		.BOLT	AK,AM	32
				,BB,B C	
18	BACR15BA6AD		.RIVET-	AK,AM	4
			(SIZE DETERMINE ON INST)	,BB,B C	
21	BACR15BA3AD		.RIVET-	AK,AM	46
			(SIZE DETERMINE ON INST)	,BB,B C	
24	MF51594-3-5BAC		.NUTPLATE-	AK,AM	21
			(V15653)	,BB,B C	
			(SPEC BACN10YF35CD)		
27	NS103193-02		.NUTPLATE-	AK,AM	2
			(V80539)	,BB,B C	
			(SPEC BACN10KE3D)		
			(OPT F51754-3 (V15653))		

57-53-51

 ILLUSTRATED PARTS LIST
 01.1 Page 1060A
 Nov 01/04

FIG. & ITEM	PART NO.	AIRLINE PART NUMBER	NOMENCLATURE 1234567	EFF CODE	QTY PER ASSY
06-30	NAS463FDD10H		.SHIM	AK,AM ,BB,B C	4
33	NAS463FDD10		.SPACER	AK,AM ,BB,B C	2
36	113T3101-7		.RETAINER-SEAL	AK,BB	1
-39	113T3101-8		.RETAINER-SEAL	AM,BC	1
42	113T3101-23		DELETED		
42A	113T3100-23		.RETAINER-SEAL	AK,BB	1
-45	113T3101-24		DELETED		
-45A	113T3100-24		.RETAINER-SEAL	AM,BC	1
48	113T3109-1		.FILLER	AK,AM ,BB,B C	1
51	113T3173-1		.RIB ASSY	AK,BB	1
-54	113T3173-2		.RIB ASSY	AM,BC	1
57	BACR15BA3AD		..RIVET- (SIZE DETERMINE ON INST)	AK,AM ,BB,B C	18
60	BACN10JQ36		..NUTPLATE	AK,AM ,BB,B C	9
63	113T3173-3		..RIB	AK,BB	1
-66	113T3173-4		..RIB	AM,BC	1
69	113T3100-18		.STRIP	AK,AM ,BB,B C	1
72	BACS40R008B008F		.SHIM	AK,AM ,BB,B C	1
75	BACB30NT3K3		.BOLT	AK,AM ,BB,B C	10
78	BACB30NT3K6		.BOLT	AK,AM ,BB,B C	6
81	BACB30NN3K8		.BOLT	AK,AM ,BB,B C	12

57-53-51

 ILLUSTRATED PARTS LIST
 01.1 Page 1060B
 Nov 01/04


BOEING
 COMPONENT
 MAINTENANCE MANUAL

FIG. & ITEM	PART NO.	AIRLINE PART NUMBER	NOMENCLATURE 1234567	EFF CODE	QTY PER ASSY
06-84	BACR15BA6AD		.RIVET- (SIZE DETERMINE ON INST)	AK,AM ,BB,B C	4
87	BACR15BA3AD		.RIVET- (SIZE DETERMINE ON INST)	AK,AM ,BB,B C	12
90	BRF200C3D		.NUTPLATE- (V52828) (SPEC BACN10JR3CFD) (OPT K51602-3BAC (V15653)) (OPT NS202476-02 (V80539)) (OPT 102F9201-3 (V72962)) (OPT T8092C1032CD (V11815))	AK,AM ,BB,B C	6
93	113T3175-401		.BRACKET ASSY	AK,BB	1
-96	113T3175-402		.BRACKET ASSY	AM,BC	1
99	BACR15BA3AD		..RIVET- (SIZE DETERMINE ON INST)	AK,AM ,BB,B C	8
102	MF51594-3-3BAC		..NUTPLATE- (V15653) (SPEC BACN10YF33CD)	AK,AM ,BB,B C	3
105	MF51594-3-2BAC		..NUTPLATE- (V15653) (SPEC BACN10YF32CD)	AK,AM ,BB,B C	1
108	113T3175-403		..BRACKET	AK,BB	1
-111	113T3175-404		..BRACKET	AM,BC	1
114	BACS40R008C010F		.SHIM	AK,AM ,BB,B C	AR

57-53-51

 ILLUSTRATED PARTS LIST
 01.1 Page 1060C
 Nov 01/04

FIG. & ITEM	PART NO.	AIRLINE PART NUMBER	NOMENCLATURE 1234567	EFF CODE	QTY PER ASSY
06- 117	BACS40R009C010F		.SHIM	AK,AM ,BB,B C	AR
120	113T3175-405		.BRACKET ASSY	AK,BB	1
-123	113T3175-406		.BRACKET ASSY	AM,BC	1
126	BACR15BA3AD		..RIVET- (SIZE DETERMINE ON INST)	AK,AM ,BB,B C	12
129	MF51594-3-3BAC		..NUTPLATE- (V15653) (SPEC BACN10YF33CD)	AK,AM ,BB,B C	3
132	MF51594-3-2BAC		..NUTPLATE- (V15653) (SPEC BACN10YF32CD)	AK,AM ,BB,B C	3
135	113T3175-407		..BRACKET	AK,BB	1
-138	113T3175-408		..BRACKET	AM,BC	1
141	BACS40R008C010F		.SHIM	AK,AM ,BB,B C	AR
144	BACS40R009C010F		.SHIM	AK,AM ,BB,B C	AR
147	113T3175-409		.BRACKET ASSY	AK,BB	1
-150	113T3175-410		.BRACKET ASSY	AM,BC	1
153	BACR15BA3AD		..RIVET- (SIZE DETERMINE ON INST)	AK,AM ,BB,B C	18
156	MF51594-3-3BAC		..NUTPLATE- (V15653) (SPEC BACN10YF33CD)	AK,AM ,BB,B C	2
159	MF51594-3-2BAC		..NUTPLATE- (V15653) (SPEC BACN10YF32CD)	AK,AM ,BB,B C	1

57-53-51

ILLUSTRATED PARTS LIST

01.1 Page 1060D

Nov 01/04


BOEING
 COMPONENT
 MAINTENANCE MANUAL

FIG. & ITEM	PART NO.	AIRLINE PART NUMBER	NOMENCLATURE 1234567	EFF CODE	QTY PER ASSY
06- 162	102F9209M3		..NUTPLATE- (V72962) (SPEC BACN10KH3CD) (OPT FS1651-3 (V15653)) (OPT NS202496-02 (V80539))	AK,AM ,BB,B C	6
165	NAS1195DD3KH		..SHIM	AK,AM ,BB,B C	12
168	113T3175-411		..BRACKET	AK,BB	1
-171	113T3175-412		..BRACKET	AM,BC	1
174	113T3100-411		.SHIM-UPR	AK,AM ,BB,B C	1
177	113T3100-409		.SHIM-LWR	AK,AM ,BB,B C	1
180	BACS40R006C008F		.SHIM	AK,AM ,BB,B C	AR
183	BACS40R007C009F		.SHIM	AK,AM ,BB,B C	AR
186	BACS40R009C020F		.SHIM	AK,AM ,BB,B C	AR
189	BACS40R008B014F		.SHIM	AK,AM ,BB,B C	AR
192	HST10AG6-5		.BOLT- (VOPTK6) (SPEC BACB30VT6K5) (OPT HST10AG6-5 (V06725)) (OPT HST10AG6-5 (V56878)) (OPT HST10AG6-5 (V73197))	AK,AM ,BB,B C	4

57-53-51

 ILLUSTRATED PARTS LIST
 01.1 Page 1060E
 Nov 01/04

FIG. & ITEM	PART NO.	AIRLINE PART NUMBER	NOMENCLATURE 1234567	EFF CODE	QTY PER ASSY
06-195	HST79CY6		.COLLAR- (V73197) (SPEC BACC30BL6) (OPT HST79-6 (V92215)) (OPT HST79CY6 (V56878)) (OPT HST79CY6 (V5M902))	AK,AM ,BB,B C	4
198	113T3175-417		.BUMPER ASSY	AK, BB	1
-201	113T3175-418		.BUMPER ASSY	AM, BC	1
204	BACB30NT3K8		..BOLT	AK,AM ,BB,B C	3
207	BACW10BN3AC		..WASHER	AK,AM ,BB,B C	3
210	NAS1149D0332J		..WASHER	AK,AM ,BB,B C	3
213	H52732-3CD		..NUT- (V15653) (SPEC BACN10YR3CD) (OPT PLH53CD (V62554))	AK,AM ,BB,B C	3
216	113T3175-415		..PAD-BUMPER	AK, BB	1
-219	113T3175-416		..PAD-BUMPER	AM, BC	1
222	BACS40R018E022P		..SHIM	AK,AM ,BB,B C	1
225	113T3175-413		..BUMPER	AK,AM ,BB,B C	1
228	113T3100-51		.PLUG-END (MFD FROM SH RUBBER BMS1-23 0.88 DIA X 1.60 IN)	AK,AM ,BB,B C	2
231	113T3100-405		.SEAL-UPR	AK,AM ,BB,B C	1
234	113T3100-403		.SEAL-LWR	AK,AM ,BB,B C	1

57-53-51

ILLUSTRATED PARTS LIST

01.1 Page 1060F

Nov 01/04


BOEING
 COMPONENT
 MAINTENANCE MANUAL

FIG. & ITEM	PART NO.	AIRLINE PART NUMBER	NOMENCLATURE 1234567	EFF CODE	QTY PER ASSY
06- 237	BACB30NN3K8		.BOLT	AK,AM ,BB,B C	71
240	BACB30NN4K4		.BOLT	AK,AM ,BB,B C	2
243	BACR15BA3AD		.RIVET- (SIZE DETERMINE ON INST)	AK,AM ,BB,B C	74
246	MF51594-3-5BAC		.NUTPLATE- (V15653) (SPEC BACN10YF35CD)	AK,AM ,BB,B C	34
249	MF51594-3-4BAC		.NUTPLATE- (V15653) (SPEC BACN10YF34CD)	AK,AM ,BB,B C	1
252	BACN10YF41CD		.NUTPLATE	AK,AM ,BB,B C	2
255	113T3101-401		.RETAINER-SEAL	AK,BB	1
-258	113T3101-402		.RETAINER-SEAL	AM,BC	1
261	113T3101-403		.RETAINER-SEAL	AK,BB	1
-264	113T3101-404		.RETAINER-SEAL	AM,BC	1
267	113T3100-407		.FILLER-FWD	AK,AM ,BB,B C	1
270	113T3108-403		.PANEL-UPR	AK,BB	1
-273	113T3108-404		.PANEL-UPR	AM,BC	1
276	113T3108-401		.PANEL-LWR	AK,BB	1
-279	113T3108-402		.PANEL-LWR	AM,BC	1
282	113T3173-401		.RIB ASSY	AK,BB	1

57-53-51

 ILLUSTRATED PARTS LIST
 01.1 Page 1060G
 Nov 01/04

FIG. & ITEM	PART NO.	AIRLINE PART NUMBER	NOMENCLATURE 1234567	EFF CODE	QTY PER ASSY
06-					
-285	113T3173-402		.RIB ASSY	AM,BC	1
288	BACR15BA3AD		..RIVET- (SIZE DETERMINE ON INST)	AK,AM ,BB,B C	72
291	MF51594-3-4BAC		..NUTPLATE- (V15653) (SPEC BACN10YF34CD)	AK,AM ,BB,B C	36
294	BACR15BB6AD		..RIVET- (SIZE DETERMINE ON INST)	AK,AM ,BB,B C	8
297	113T3173-407		..STIFFENER	AK,AM ,BB,B C	1
300	113T3173-405		..STIFFENER	AK,AM ,BB,B C	1
303	113T3173-403		..RIB	AK,BB	1
-306	113T3173-404		..RIB	AM,BC	1
309	BACB30NN3K8		.BOLT	AK,AM ,BB,B C	15
312	BACR15BA3AD		.RIVET- (SIZE DETERMINE ON INST)	AK,AM ,BB,B C	8
315	BACN10JQ36		.NUTPLATE	AK,AM ,BB,B C	2
318	NS103191-02-6		.NUTPLATE- (V80539) (SPEC BACN10KE3B6) (OPT RMF9213-6-3 (V72962)) (OPT F51750-3-6 (V15653)) (OPT BRFR220A3-6 (V52828))	AK,AM ,BB,B C	2

57-53-51

 ILLUSTRATED PARTS LIST
 01.1 Page 1060H
 Nov 01/04


BOEING
 COMPONENT
 MAINTENANCE MANUAL

FIG. & ITEM	PART NO.	AIRLINE PART NUMBER	NOMENCLATURE 1234567	EFF CODE	QTY PER ASSY
06-321	113T3100-17		.STRIP	AK,AM ,BB,B C	1
324	113T3100-55		.RETAINER-SEAL	AK,BB	1
-327	113T3100-56		.RETAINER-SEAL	AM,BC	1
330	113T3101-11		.RETAINER-SEAL	AK,BB	1
-333	113T3101-12		.RETAINER-SEAL	AM,BC	1
336	113T3113-13		.STRIP ASSY	AK,AM ,BB,B C	1
339	BACR15BA3AD		..RIVET- (SIZE DETERMINE ON INST)	AK,AM ,BB,B C	22
342	MF19058-3-5BAC		..NUTPLATE- (V15653) (SPEC BACN10YF35)	AK,AM ,BB,B C	11
345	113T3113-12		..STRIP	AK,AM ,BB,B C	1
348	BACS40R09B27F		.SHIM	AK,AM ,BB,B C	1
351	BACR15BA4AD		.RIVET- (SIZE DETERMINE ON INST)	AK,AM ,BB,B C	12
354	F171-5		.NUTPLATE- (V72962) (SPEC BACN10JB5) (OPT 43600-054 (V80539)) (OPT BRF210A5 (V52828))	AK,AM ,BB,B C	6

57-53-51

ILLUSTRATED PARTS LIST

01.1 Page 1060I

Nov 01/04

FIG. & ITEM	PART NO.	AIRLINE PART NUMBER	NOMENCLATURE 1234567	EFF CODE	QTY PER ASSY
06-357	HL1012AZ6-10		.BOLT- (V97928) (SPEC BACB30NX6K10) (OPT HL12VAZ6-10 (V73197)) (OPT HL12VAZ6-10 (V92215)) (OPT HL12VAZ6-10 (V97928)) (OPT L802-6K10 (V06725)) (OPT HL12VAZ6-10 (V56878)) (OPT HL1012AZ6-10 (V0PTK6)) (OPT HL1012AZ6-10 (V06725)) (OPT HL1012AZ6-10 (V06950)) (OPT HL1012AZ6-10 (V17446)) (OPT HL1012AZ6-10 (V56878)) (OPT HL1012AZ6-10 (V60516)) (OPT HL1012AZ6-10 (V73197))	AK,AM ,BB,B C	8
360	HL1087-6		.COLLAR- (V73197) (SPEC BACC30BH6) (OPT HL1087-6 (V56878)) (OPT HL1087-6 (V92215)) (OPT HL1087-6 (V9N513))	AK,AM ,BB,B C	8
363	113T3106-1		.SUPPORT-EXT FAIRING	AK,AM ,BB,B C	4
366	BACB30NM4K10		.BOLT	AK,AM ,BB,B C	4
369	BACB30NM4K11		.BOLT	AK,AM ,BB,B C	4

57-53-51

ILLUSTRATED PARTS LIST

01.1 Page 1060J

Nov 01/04


BOEING
 COMPONENT
 MAINTENANCE MANUAL

FIG. & ITEM	PART NO.	AIRLINE PART NUMBER	NOMENCLATURE 1234567	EFF CODE	QTY PER ASSY
06-372	BACW10BN4SP		.WASHER	AK,AM ,BB,B C	4
375	BRH10C4D		.NUT- (V52828) (SPEC BACN10JC4CD) (OPT T6C428JCD (V11815)) (OPT NS202486-048 (V80539)) (OPT 102LH9075-4W (V72962)) (OPT H51650-4BAC (V15653))	AK,AM ,BB,B C	4
378	113T3106-3		.SUPPORT-EXT FAIRING	AK,AM ,BB,B C	2
381	WC311K8-12		.BOLT- (V60516) (SPEC BACB30YP8K12)	AK,AM ,BB,B C	8
384	WC331K8-10		.BOLT- (V60516) (SPEC BACB30YP8K10)	AK,AM ,BB,B C	6
387	WC331K8-8		.BOLT- (V60516) (SPEC BACB30YP8K8)	AK,AM ,BB,B C	2
390	WC331K8-9		.BOLT- (V60516) (SPEC BACB30YP8K9)	AK,AM ,BB,B C	6
393	WC331K10-8		.BOLT- (V60516) (SPEC BACB30YP10K8)	AK,AM ,BB,B C	2
396	WC331K6-6		.BOLT- (V60516) (SPEC BACB30YP6K6)	AK,AM ,BB,B C	2

57-53-51

 ILLUSTRATED PARTS LIST
 01.1 Page 1060K
 Nov 01/04

FIG. & ITEM	PART NO.	AIRLINE PART NUMBER	NOMENCLATURE 1234567	EFF CODE	QTY PER ASSY
06-399	HL1012AZ10-16		.BOLT- (VOPTK6) (SPEC BACB30NX10K16) (OPT HL12VAZ10-16 (V73197)) (OPT HL12VAZ10-16 (V92215)) (OPT HL12VAZ10-16 (V97928)) (OPT L802-10K16 (V06725)) (OPT HL12VAZ10-16 (V56878)) (OPT HL1012AZ10-16 (V06725)) (OPT HL1012AZ10-16 (V06950)) (OPT HL1012AZ10-16 (V17446)) (OPT HL1012AZ10-16 (V56878)) (OPT HL1012AZ10-16 (V60516)) (OPT HL1012AZ10-16 (V73197)) (OPT HL1012AZ10-16 (V97928))	AK,AM ,BB,B C	2

57-53-51

 ILLUSTRATED PARTS LIST
 01.1 Page 1060L
 Nov 01/04



BOEING
 COMPONENT
 MAINTENANCE MANUAL

FIG. & ITEM	PART NO.	AIRLINE PART NUMBER	NOMENCLATURE	EFF CODE	QTY PER ASSY
06-402	HL1012AZ10-12		1234567 .BOLT- (VOPTK6) (SPEC BACB30NX10K12) (OPT HL12VAZ10-12 (V73197)) (OPT HL12VAZ10-12 (V92215)) (OPT HL12VAZ10-12 (V97928)) (OPT L802-10K12 (V06725)) (OPT HL12VAZ10-12 (V56878)) (OPT HL1012AZ10-12 (V06725)) (OPT HL1012AZ10-12 (V06950)) (OPT HL1012AZ10-12 (V17446)) (OPT HL1012AZ10-12 (V56878)) (OPT HL1012AZ10-12 (V60516)) (OPT HL1012AZ10-12 (V73197)) (OPT HL1012AZ10-12 (V97928))	AK,AM ,BB,B C	2

57-53-51

ILLUSTRATED PARTS LIST
 01.1 Page 1060M
 Nov 01/04

FIG. & ITEM	PART NO.	AIRLINE PART NUMBER	NOMENCLATURE 1234567	EFF CODE	QTY PER ASSY
06-405	HL1012AZ10-14		.BOLT- (VOPTK6) (SPEC BACB30NX10K14) (OPT HL12VAZ10-14 (V73197)) (OPT HL12VAZ10-14 (V92215)) (OPT HL12VAZ10-14 (V97928)) (OPT L802-10K14 (V06725)) (OPT HL12VAZ10-14 (V56878)) (OPT HL1012AZ10-14 (V06725)) (OPT HL1012AZ10-14 (V06950)) (OPT HL1012AZ10-14 (V17446)) (OPT HL1012AZ10-14 (V56878)) (OPT HL1012AZ10-14 (V60516)) (OPT HL1012AZ10-14 (V73197)) (OPT HL1012AZ10-14 (V97928))	AK,AM ,BB,B C	2

57-53-51

 ILLUSTRATED PARTS LIST
 01.1 Page 1060N
 Nov 01/04

BOEING
 COMPONENT
 MAINTENANCE MANUAL

FIG. & ITEM	PART NO.	AIRLINE PART NUMBER	NOMENCLATURE	EFF CODE	QTY PER ASSY
06-408	HL1012AZ10-11		1234567 .BOLT- (VOPTK6) (SPEC BACB30NX10K11) (OPT HL12VAZ10-11 (V73197)) (OPT HL12VAZ10-11 (V92215)) (OPT HL12VAZ10-11 (V97928)) (OPT L802-10K11 (V06725)) (OPT HL1012AZ10-11 (V06725)) (OPT HL1012AZ10-11 (V06950)) (OPT HL1012AZ10-11 (V17446)) (OPT HL1012AZ10-11 (V56878)) (OPT HL1012AZ10-11 (V60516)) (OPT HL1012AZ10-11 (V73197)) (OPT HL1012AZ10-11 (V97928)) (OPT HL12VAZ10-11 (V56878))	AK,AM ,BB,B C	2

57-53-51

ILLUSTRATED PARTS LIST
 01.1 Page 10600
 Nov 01/04

FIG. & ITEM	PART NO.	AIRLINE PART NUMBER	NOMENCLATURE 1234567	EFF CODE	QTY PER ASSY
06-411	HL1012AZ10-9		.BOLT- (VOPTK6) (SPEC BACB30NX10K9) (OPT HL12VAZ10-9 (V73197)) (OPT HL12VAZ10-9 (V92215)) (OPT HL12VAZ10-9 (V97928)) (OPT L802-10K9 (V06725)) (OPT HL12VAZ10-9 (V56878)) (OPT HL1012AZ10-9 (V06725)) (OPT HL1012AZ10-9 (V06950)) (OPT HL1012AZ10-9 (V17446)) (OPT HL1012AZ10-9 (V56878)) (OPT HL1012AZ10-9 (V60516)) (OPT HL1012AZ10-9 (V73197)) (OPT HL1012AZ10-9 (V97928))	AK,AM ,BB,B C	2

57-53-51

 ILLUSTRATED PARTS LIST
 01.1 Page 1060P
 Nov 01/04


BOEING
 COMPONENT
 MAINTENANCE MANUAL

FIG. & ITEM	PART NO.	AIRLINE PART NUMBER	NOMENCLATURE 1234567	EFF CODE	QTY PER ASSY
06-414	HL1012AZ6-6		.BOLT- (V97928) (SPEC BACB30NX6K6) (OPT HL12VAZ6-6 (V73197)) (OPT HL12VAZ6-6 (V92215)) (OPT HL12VAZ6-6 (V97928)) (OPT L802-6K6 (V06725)) (OPT HL12VAZ6-6 (V56878)) (OPT HL1012AZ6-6 (V0PTK6)) (OPT HL1012AZ6-6 (V06725)) (OPT HL1012AZ6-6 (V06950)) (OPT HL1012AZ6-6 (V17446)) (OPT HL1012AZ6-6 (V56878)) (OPT HL1012AZ6-6 (V60516)) (OPT HL1012AZ6-6 (V73197))	AK,AM ,BB,B C	4
417	HST79CY8		.COLLAR- (V73197) (SPEC BACC30BL8) (OPT HST79-8 (V92215)) (OPT HST79CY8 (V56878)) (OPT HST79CY8 (V5M902))	AK,AM ,BB,B C	22
420	HST79CY10		.COLLAR- (V73197) (SPEC BACC30BL10) (OPT HST79-10 (V92215)) (OPT HST79CY10 (V56878)) (OPT HST79CY10 (V5M902))	AK,AM ,BB,B C	2

57-53-51

 ILLUSTRATED PARTS LIST
 01.1 Page 1060Q
 Nov 01/04

FIG. & ITEM	PART NO.	AIRLINE PART NUMBER	NOMENCLATURE 1234567	EFF CODE	QTY PER ASSY
06-423	HST79CY6		.COLLAR- (V73197) (SPEC BACC30BL6) (OPT HST79-6 (V92215)) (OPT HST79CY6 (V56878)) (OPT HST79CY6 (V5M902))	AK,AM ,BB,B C	2
426	HL1087-10		.COLLAR- (V9N513) (SPEC BACC30BH10) (OPT HL1087-10 (V92215)) (OPT HL1087-10 (V73197)) (OPT HL1087-10 (V56878))	AK,AM ,BB,B C	10
429	HL1087-6		.COLLAR- (V73197) (SPEC BACC30BH6) (OPT HL1087-6 (V56878)) (OPT HL1087-6 (V92215)) (OPT HL1087-6 (V9N513))	AK,AM ,BB,B C	4
432	113T3176-401		.STRAP-UPR, OUTBD	AK,BC	1
-435	113T3176-402		.STRAP-UPR, OUTBD	AM,BC	1
438	113T3176-405		.STRAP-LWR, OUTBD	AK,BB	1
-441	113T3176-406		.STRAP-LWR, OUTBD	AM,BC	1
444	113T3176-403		.STRAP-UPR, INBD	AK,BB	1
-447	113T3176-404		.STRAP-UPR, INBD	AM,BC	1
450	113T3176-407		.STRAP-LWR, INBD	AK,BB	1
-453	113T3176-408		.STRAP-LWR, INBD	AM,BC	1
-456	113T3165-401		.RIB INSTL-SPRT, OUTBD	AK,BB	1
-459	113T3165-402		.RIB INSTL-SPRT, OUTBD	AM,BC	1
462	BACB30NN4K11		..BOLT	AK,AM ,BB,B C	26
465	BACB30NN3K8		..BOLT	AK,AM ,BB,B C	12

57-53-51

ILLUSTRATED PARTS LIST

01.1 Page 1060R

Nov 01/04


BOEING
 COMPONENT
 MAINTENANCE MANUAL

FIG. & ITEM	PART NO.	AIRLINE PART NUMBER	NOMENCLATURE 1234567	EFF CODE	QTY PER ASSY
06-468	BACR15BA3AD		..RIVET- (SIZE DETERMINE ON INST)	AK,AM ,BB,B C	76
471	MF19058-4-3BAC		..NUTPLATE- (V15653) (SPEC BACN10YF43)	AK,AM ,BB,B C	4
474	MF19058-3-4BAC		..NUTPLATE- (V15653) (SPEC BACN10YF34)	AK,AM ,BB,B C	4
477	MF19058-4-5BAC		..NUTPLATE- (V15653) (SPEC BACN10YF45)	AK,AM ,BB,B C	6
480	MF19058-4-2BAC		..NUTPLATE- (V15653) (SPEC BACN10YF42)	AK,AM ,BB,B C	14
483	MF19058-3-2BAC		..NUTPLATE- (V15653) (SPEC BACN10YF32)	AK,AM ,BB,B C	4
486	NS103194-02-4		..NUTPLATE- (V80539) (SPEC BACN10KE3E4) (OPT RMF9216-4-3 (V72962)) (OPT F51752-3-4 (V15653)) (OPT BRFR120A3-4 (V52828))	AK,AM ,BB,B C	2
489	F51752-4-6		..NUTPLATE- (V15653) (SPEC BACN10KE4E6) (OPT NS103194-048-6 (V80539)) (OPT RMF9216-6-4 (V72962)) (OPT BRFR120A4-6 (V52828))	AK,AM ,BB,B C	2

57-53-51

 ILLUSTRATED PARTS LIST
 01.1 Page 1060S
 Nov 01/04

FIG. & ITEM	PART NO.	AIRLINE PART NUMBER	NOMENCLATURE 1234567	EFF CODE	QTY PER ASSY
06-492	NS103191-02-4		..NUTPLATE- (V80539) (SPEC BACN10KE3B4) (OPT RMF9213-4-3 (V72962)) (OPT F51750-3-4 (V15653)) (OPT BRFR220A3-4 (V52828))	AK,AM ,BB,B C	2
495	WC331K8-10		..BOLT- (V60516) (SPEC BACB30YP8K10)	AK,AM ,BB,B C	2
498	HST10AG8-7		..BOLT- (VOPTK6) (SPEC BACB30VT8K7) (OPT HST10AG8-7 (V06725)) (OPT HST10AG8-7 (V56878)) (OPT HST10AG8-7 (V73197))	AK,AM ,BB,B C	6
501	HST10AG8-8		..BOLT- (VOPTK6) (SPEC BACB30VT8K8) (OPT HST10AG8-8 (V06725)) (OPT HST10AG8-8 (V56878)) (OPT HST10AG8-8 (V73197))	AK,AM ,BB,B C	2

57-53-51

 ILLUSTRATED PARTS LIST
 01.1 Page 1060T
 Nov 01/04


BOEING
 COMPONENT
 MAINTENANCE MANUAL

FIG. & ITEM	PART NO.	AIRLINE PART NUMBER	NOMENCLATURE 1234567	EFF CODE	QTY PER ASSY
06-504	HST10AG8-11		..BOLT- (VOPTK6) (SPEC BACB30VT8K11) (OPT HST10AG8-11 (V06725)) (OPT HST10AG8-11 (V56878)) (OPT HST10AG8-11 (V73197))	AK,AM ,BB,B C	4
507	HST10AG8-12		..BOLT- (VOPTK6) (SPEC BACB30VT8K12) (OPT HST10AG8-12 (V06725)) (OPT HST10AG8-12 (V56878)) (OPT HST10AG8-12 (V73197))	AK,AM ,BB,B C	4
510	HST10AG8-5		..BOLT- (VOPTK6) (SPEC BACB30VT8K5) (OPT HST10AG8-5 (V06725)) (OPT HST10AG8-5 (V56878)) (OPT HST10AG8-5 (V73197))	AK,AM ,BB,B C	2
513	WC331K6-6		..BOLT- (V60516) (SPEC BACB30YP6K6)	AK,AM ,BB,B C	3
516	WC331K6-4		..BOLT- (V60516) (SPEC BACB30YP6K4)	AK,AM ,BB,B C	4

57-53-51

 ILLUSTRATED PARTS LIST
 01.1 Page 1060U
 Nov 01/04

FIG. & ITEM	PART NO.	AIRLINE PART NUMBER	NOMENCLATURE 1234567	EFF CODE	QTY PER ASSY
06-519	HST10AG6-5		..BOLT- (VOPTK6) (SPEC BACB30VT6K5) (OPT HST10AG6-5 (V06725)) (OPT HST10AG6-5 (V56878)) (OPT HST10AG6-5 (V73197))	AK,AM ,BB,B C	1
522	HST10AG10-11		..BOLT- (VOPTK6) (SPEC BACB30VT10K11) (OPT HST10AG10-11 (V06725)) (OPT HST10AG10-11 (V56878)) (OPT HST10AG10-11 (V73197))	AK,AM ,BB,B C	2
525	HST10AG10-12		..BOLT- (VOPTK6) (SPEC BACB30VT10K12) (OPT HST10AG10-12 (V06725)) (OPT HST10AG10-12 (V56878)) (OPT HST10AG10-12 (V73197))	AK,AM ,BB,B C	2
528	HST79CY8		..COLLAR- (V73197) (SPEC BACC30BL8) (OPT HST79-8 (V92215)) (OPT HST79CY8 (V56878)) (OPT HST79CY8 (V5M902))	AK,AM ,BB,B C	20
531	HST79CY6		..COLLAR- (V73197) (SPEC BACC30BL6) (OPT HST79-6 (V92215)) (OPT HST79CY6 (V56878)) (OPT HST79CY6 (V5M902))	AK,AM ,BB,B C	8

57-53-51

ILLUSTRATED PARTS LIST

01.1 Page 1060V

Nov 01/04


BOEING
 COMPONENT
 MAINTENANCE MANUAL

FIG. & ITEM	PART NO.	AIRLINE PART NUMBER	NOMENCLATURE 1234567	EFF CODE	QTY PER ASSY
06-534	HST79CY10		..COLLAR- (V73197) (SPEC BACC30BL10) (OPT HST79-10 (V92215)) (OPT HST79CY10 (V56878)) (OPT HST79CY10 (V5M902))	AK,AM ,BB,B C	4
537	BACF3H06JP006HG		..FILLER	AK,AM ,BB,B C	2
540	113T3136-401		..RIB	AK,BB	1
-543	113T3136-402		..RIB	AM,BC	1
546	113T3132-401		..RIB	AK,BB	1
-549	113T3132-402		..RIB	AM,BC	1
552	BACS40R011C032F		..SHIM	AK,AM ,BB,B C	1
555	BACS40R021C048F		..SHIM	AK,AM ,BB,B C	1
558	BACS40R015C055F		..SHIM	AK,AM ,BB,B C	2
561	BACS40R019C055F		..SHIM	AK,AM ,BB,B C	2
564	BACS40R022C055F		..SHIM	AK,AM ,BB,B C	2
567	BACS40R011B013F		..SHIM	AK,AM ,BB,B C	2
570	BACS40R010C023F		..SHIM	AK,AM ,BB,B C	1
573	BACS40R009E055F		..SHIM	AK,AM ,BB,B C	1
576	BACS40R020C044F		..SHIM	AK,AM ,BB,B C	1

57-53-51

 ILLUSTRATED PARTS LIST
 01.1 Page 1060W
 Nov 01/04

FIG. & ITEM	PART NO.	AIRLINE PART NUMBER	NOMENCLATURE 1234567	EFF CODE	QTY PER ASSY
06-579	BACS40R012C032F		..SHIM	AK,AM ,BB,B C	1
582	BACS40R032C032F		..SHIM	AK,AM ,BB,B C	1
-585	113T3168-401		.RIB INSTL-SPRT, INBD	AK,BB	1
-588	113T3168-402		.RIB INSTL-SPRT, INBD	AM,BC	1
591	BACB30NN4K11		..BOLT	AK,AM ,BB,B C	26
594	BACB30NN3K8		..BOLT	AK,AM ,BB,B C	24
597	BACR15BA3AD		..RIVET- (SIZE DETERMINE ON INST)	AK,AM ,BB,B C	100
600	MF19058-4-3BAC		..NUTPLATE- (V15653) (SPEC BACN10YF43)	AK,AM ,BB,B C	4
603	MF19058-3-4BAC		..NUTPLATE- (V15653) (SPEC BACN10YF34)	AK,AM ,BB,B C	5
606	MF19058-3-2BAC		..NUTPLATE- (V15653) (SPEC BACN10YF32)	AK,AM ,BB,B C	3
609	MF19058-4-5BAC		..NUTPLATE- (V15653) (SPEC BACN10YF45)	AK,AM ,BB,B C	6

57-53-51

 ILLUSTRATED PARTS LIST
 01.1 Page 1060X
 Nov 01/04


BOEING
 COMPONENT
 MAINTENANCE MANUAL

FIG. & ITEM	PART NO.	AIRLINE PART NUMBER	NOMENCLATURE 1234567	EFF CODE	QTY PER ASSY
06-612	MF19058-4-2BAC		..NUTPLATE- (V15653) (SPEC BACN10YF42)	AK,AM ,BB,B C	14
615	MF19058-3-3BAC		..NUTPLATE- (V15653) (SPEC BACN10YF33)	AK,AM ,BB,B C	1
618	NS103191-02-5		..NUTPLATE- (V80539) (SPEC BACN10KE3B5) (OPT RMF9213-5-3 (V72962)) (OPT F51750-3-5 (V15653)) (OPT BRFR220A3-5 (V52828))	AK,AM ,BB,B C	13
621	F51752-4-6		..NUTPLATE- (V15653) (SPEC BACN10KE4E6) (OPT NS103194-048-6 (V80539)) (OPT RMF9216-6-4 (V72962)) (OPT BRFR120A4-6 (V52828))	AK,AM ,BB,B C	2
624	NS103191-02-2		..NUTPLATE- (V80539) (SPEC BACN10KE3B2) (OPT RMF9213-2-3 (V72962)) (OPT F51750-3-2 (V15653)) (OPT BRFR220A3-2 (V52825))	AK,AM ,BB,B C	2

57-53-51

ILLUSTRATED PARTS LIST

01.1 Page 1060Y

Nov 01/04

FIG. & ITEM	PART NO.	AIRLINE PART NUMBER	NOMENCLATURE 1234567	EFF CODE	QTY PER ASSY
06-627	WC331K8-10		..BOLT- (V60516) (SPEC BACB30YP8K10)	AK,AM ,BB,B C	2
630	HST10AG8-7		..BOLT- (VOPTK6) (SPEC BACB30VT8K7) (OPT HST10AG8-7 (V06725)) (OPT HST10AG8-7 (V56878)) (OPT HST10AG8-7 (V73197))	AK,AM ,BB,B C	6
633	HST10AG8-11		..BOLT- (VOPTK6) (SPEC BACB30VT8K11) (OPT HST10AG8-11 (V06725)) (OPT HST10AG8-11 (V56878)) (OPT HST10AG8-11 (V73197))	AK,AM ,BB,B C	4
636	HST10AG8-5		..BOLT- (VOPTK6) (SPEC BACB30VT8K5) (OPT HST10AG8-5 (V06725)) (OPT HST10AG8-5 (V56878)) (OPT HST10AG8-5 (V73197))	AK,AM ,BB,B C	2
639	WC331K6-6		..BOLT- (V60516) (SPEC BACB30YP6K6)	AK,AM ,BB,B C	4
642	WC331K6-4		..BOLT- (V60516) (SPEC BACB30YP6K4)	AK,AM ,BB,B C	9

57-53-51

 ILLUSTRATED PARTS LIST
 01.1 Page 1060Z
 Nov 01/04


BOEING
 COMPONENT
 MAINTENANCE MANUAL

FIG. & ITEM	PART NO.	AIRLINE PART NUMBER	NOMENCLATURE 1234567	EFF CODE	QTY PER ASSY
06-645	HST10AG6-5		..BOLT- (VOPTK6) (SPEC BACB30VT6K5) (OPT HST10AG6-5 (V06725)) (OPT HST10AG6-5 (V56878)) (OPT HST10AG6-5 (V73197))	AK,AM ,BB,B C	1
648	HST10AG10-11		..BOLT- (VOPTK6) (SPEC BACB30VT10K11) (OPT HST10AG10-11 (V06725)) (OPT HST10AG10-11 (V56878)) (OPT HST10AG10-11 (V73197))	AK,AM ,BB,B C	8
651	HST79CY8		..COLLAR- (V73197) (SPEC BACC30BL8) (OPT HST79-8 (V92215)) (OPT HST79CY8 (V56878)) (OPT HST79CY8 (V5M902))	AK,AM ,BB,B C	14
654	HST79CY6		..COLLAR- (V73197) (SPEC BACC30BL6) (OPT HST79-6 (V92215)) (OPT HST79CY6 (V56878)) (OPT HST79CY6 (V5M902))	AK,AM ,BB,B C	14
657	HST79CY10		..COLLAR- (V73197) (SPEC BACC30BL10) (OPT HST79-10 (V92215)) (OPT HST79CY10 (V56878)) (OPT HST79CY10 (V5M902))	AK,AM ,BB,B C	8

57-53-51

ILLUSTRATED PARTS LIST

01.1

Page 1061

Nov 01/04

FIG. & ITEM	PART NO.	AIRLINE PART NUMBER	NOMENCLATURE 1234567	EFF CODE	QTY PER ASSY
06- 660	BACF3H06DP006HG		.. FILLER	AK, AM , BB, B C	4
663	113T3135-401		.. RIB	AK, BB	1
-666	113T3135-402		.. RIB	AM, BC	1
669	113T3131-401		.. RIB	AK, BB	1
-672	113T3131-402		.. RIB	AM, BC	1
675	BACS4OR011C026F		.. SHIM	AK, AM , BB, B C	1
678	BACS4OR021C050F		.. SHIM	AK, AM , BB, B C	1
681	BACS4OR014C055F		.. SHIM	AK, AM , BB, B C	2
684	BACS4OR019C055F		.. SHIM	AK, AM , BB, B C	3
687	BACS4OR011B014F		.. SHIM	AK, AM , BB, B C	2
690	BACS4OR011C025F		.. SHIM	AK, AM , BB, B C	1
693	BACS4OR020C055F		.. SHIM	AK, AM , BB, B C	1
696	BACS4OR014B055F		.. SHIM	AK, AM , BB, B C	1

57-53-51

 ILLUSTRATED PARTS LIST
 01.1 Page 1062
 Nov 01/04


BOEING
 COMPONENT
 MAINTENANCE MANUAL

FIG. & ITEM	PART NO.	AIRLINE PART NUMBER	NOMENCLATURE 1234567	EFF CODE	QTY PER ASSY
06-699	BACS40R023C048F		..SHIM	AK,AM ,BB,B C	1
702	BACS40R012C026F		..SHIM	AK,AM ,BB,B C	1
705	BACS40R012E026F		..SHIM	AK,AM ,BB,B C	1
708	BACS40R026C035F		..SHIM	AK,AM ,BB,B C	1
-711	113T3167-401		.RIB INSTL-END, OUTBD (FOR DETAILS SEE FIG. 7)	AK,BB	1
-714	113T3167-402		.RIB INSTL-END, OUTBD (FOR DETAILS SEE FIG. 7)	AM,BC	1
-717	113T3166-401		.RIB INSTL-END, INBD (FOR DETAILS SEE FIG. 8)	AK,BB	1
-720	113T3166-402		.RIB INSTL-END, INBD (FOR DETAILS SEE FIG. 8)	AM,BC	1
-723	113T3163-401		.RIB INSTL-SPLICE (FOR DETAILS SEE FIG. 9)	AK,BB	1
-726	113T3163-402		.RIB INSTL-SPLICE (FOR DETAILS SEE FIG. 9)	AM,BC	1
729	113T3142-403		.PANEL ASSY-UPR FWD (OPT ITEM 729A)	AK,BB	1
-729A	113T3142-453		.PANEL ASSY-UPR FWD (OPT ITEM 729)	AK,BB	1
-732	113T3142-404		.PANEL ASSY-UPR FWD (OPT ITEM 732A)	AM,BC	1

57-53-51

 ILLUSTRATED PARTS LIST
 01.1 Page 1062A
 Nov 01/04

FIG. & ITEM	PART NO.	AIRLINE PART NUMBER	NOMENCLATURE 1234567	EFF CODE	QTY PER ASSY
06-					
-732A	113T3142-454		.PANEL ASSY-UPR FWD (OPT ITEM 732)	AM,BC	1
735	113T3142-401		.PANEL ASSY-UPR FWD (OPT ITEM 735A)	AK,BB	1
-735A	113T3142-451		.PANEL ASSY-UPR FWD (OPT ITEM 735)	AK,BB	1
-738	113T3142-402		.PANEL ASSY-UPR FWD (OPT ITEM 738A)	AM,BC	1
-738A	113T3142-452		.PANEL ASSY-UPR FWD (OPT ITEM 738)	AM,BC	1
741	113T3140-403		.PANEL ASSY-UPR AFT (OPT ITEM 741A)	AK,BB	1
-741A	113T3140-453		.PANEL ASSY-UPR AFT (OPT ITEM 741)	AK,BB	1
-744	113T3140-404		.PANEL ASSY-UPR AFT (OPT ITEM 744A)	AM,BC	1
-744A	113T3140-454		.PANEL ASSY-UPR AFT (OPT ITEM 744)	AM,BC	1
747	113T3140-401		.PANEL ASSY-UPR AFT (OPT ITEM 747A)	AK,BB	1
-747A	113T3140-451		.PANEL ASSY-UPR AFT (OPT ITEM 747)	AK,BB	1
-750	113T3140-402		.PANEL ASSY-UPR AFT (OPT ITEM 750A)	AM,BC	1
-750A	113T3140-452		.PANEL ASSY-UPR AFT (OPT ITEM 750)	AM,BC	1
R 753	BACB30NN3K8		DELETED		
753A	BACB30NN3K7		..BOLT	AK,AM ,BB,B C	32
756	113T3142-18		..DOOR- (USED ON ITEMS 729, 729A 732, 730A)	AK,AM ,BB,B C	1
759	113T3142-17		..DOOR- (USED ON ITEMS 729, 729A 732, 732A)	AK,AM ,BB,B C	1
762	113T3142-30		..DOOR- (USED ON ITEMS 735, 735A 738, 738A)	AK,AM ,BB,B C	1
765	113T3142-29		..DOOR- (USED ON ITEMS 735, 735A 738, 738A)	AK,AM ,BB,B C	1
768	113T3140-428		..DOOR- (USED ON ITEMS 741, 741A 744, 744A)	AK,AM ,BB,B C	1

57-53-51

ILLUSTRATED PARTS LIST

01.1 Page 1062B

Nov 01/04


BOEING
 COMPONENT
 MAINTENANCE MANUAL

FIG. & ITEM	PART NO.	AIRLINE PART NUMBER	NOMENCLATURE 1234567	EFF CODE	QTY PER ASSY
06-771	113T3140-427		..DOOR- (USED ON ITEMS 741, 741A 744, 744A)	AK,AM ,BB,B C	1
774	113T3140-426		..DOOR- (USED ON ITEMS 747, 747A 750, 750A)	AK,AM ,BB,B C	1
777	113T3140-425		..DOOR- (USED ON ITEMS 747, 747A 750, 750A)	AK,AM ,BB,B C	1
-780	113T3002-401		.GENERATOR INSTL-VORTEX	AK	1
-783	113T3002-402		.GENERATOR INSTL-VORTEX	AM	1
786	BACB30NN3K8		..BOLT	AK,AM	24
789	BACB30NN3K9		..BOLT	AK,AM	1
792	113T3183-3		..GENERATOR- (MFD FROM AND10133-1001 X 3.1 7075-T6511 QQ-A-200/11)	AK	2
-795	113T3183-4		..GENERATOR- (MFD FROM AND10133-1001 X 3.1 7075-T6511 QQ-A-200/11)	AM	2
798	113T3183-5		..GENERATOR- (MFD FROM AND10133-1001 X 3.7 7075-T6511 QQ-A-200/11)	AK	4
-801	113T3183-6		..GENERATOR- (MFD FROM AND10133-1001 X 3.7 7075-T6511 QQ-A-200/11)	AM	4
804	113T3183-1		..GENERATOR- (MFD FROM AND10133-1001 X 3.7 7075-T6511 QQ-A-200/11)	AK,AM	19
-807	113T3112-401G		.EDGE INSTL-LEADING (FOR DETAILS SEE FIG. 3)	AK,BB	1
-810	113T3112-402G		.EDGE INSTL-LEADING (FOR DETAILS SEE FIG. 3)	AM,BC	1
-813	113T3122-401		.SPAR INSTL-FRONT (FOR DETAILS SEE FIG. 10)	AK,BB	1
-816	113T3122-402		.SPAR INSTL-FRONT (FOR DETAILS SEE FIG. 10)	AM,BC	1

57-53-51

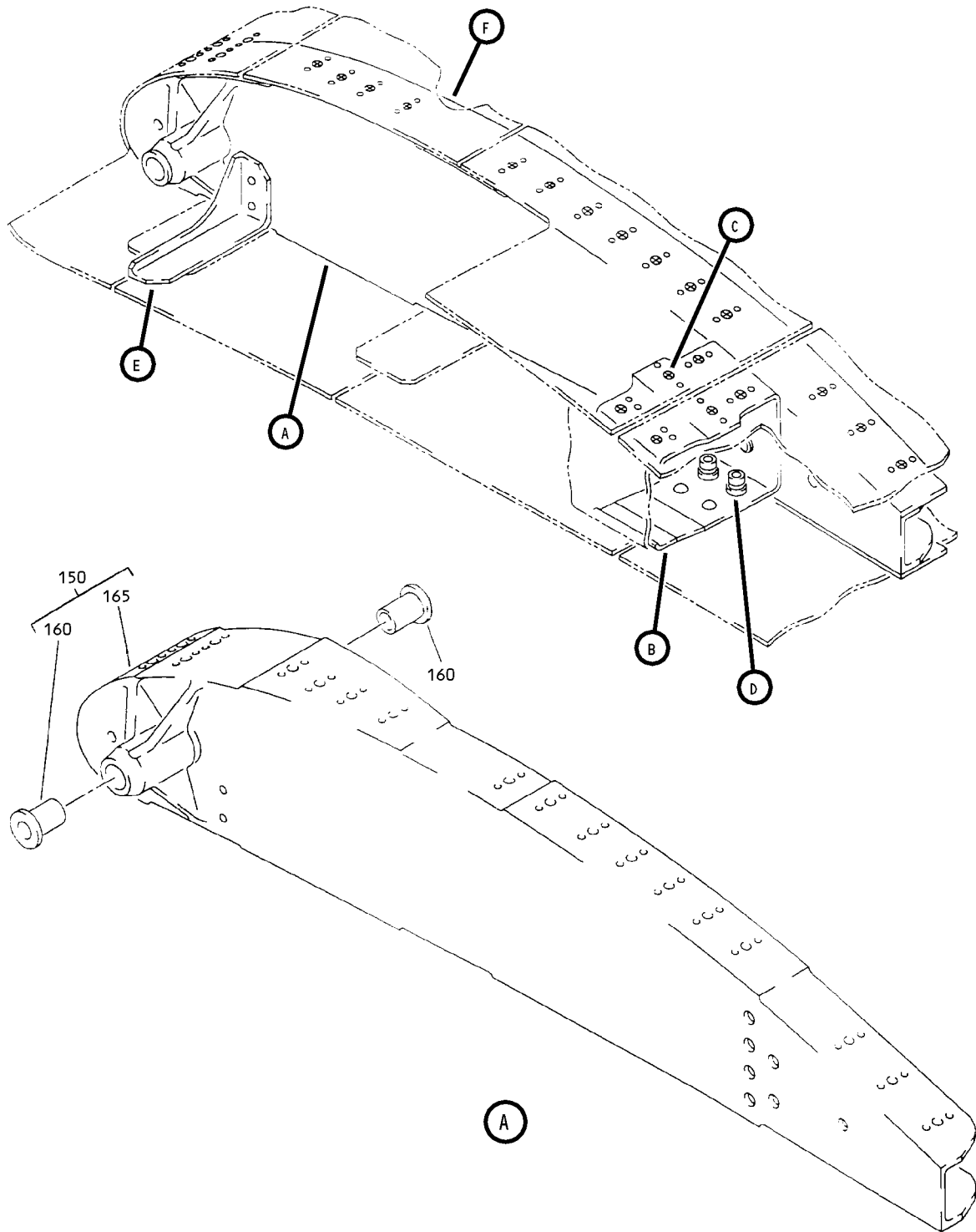
 ILLUSTRATED PARTS LIST
 01.1 Page 1062C
 Nov 01/04

FIG. & ITEM	PART NO.	AIRLINE PART NUMBER	NOMENCLATURE 1234567	EFF CODE	QTY PER ASSY
06- -819	113T3120-401		.SPAR INSTL-MID (FOR DETAILS SEE FIG. 11)	AK, BB	1
-822	113T3120-402		.SPAR INSTL-MID (FOR DETAILS SEE FIG. 11)	AM, BC	1
-825	113T3160-401		.WEDGE INSTL-TE (FOR DETAILS SEE FIG. 12)	AK, BB	1
-828	113T3160-402		.WEDGE INSTL-TE (FOR DETAILS SEE FIG. 12)	AM, BC	1
831	MS20604B3W2		.RIVET	AK, AM , BB, B C	4
834	MS27253-1		.PLATE-IDENT	AK, AM , BB, B C	1

- Item Not Illustrated

57-53-51

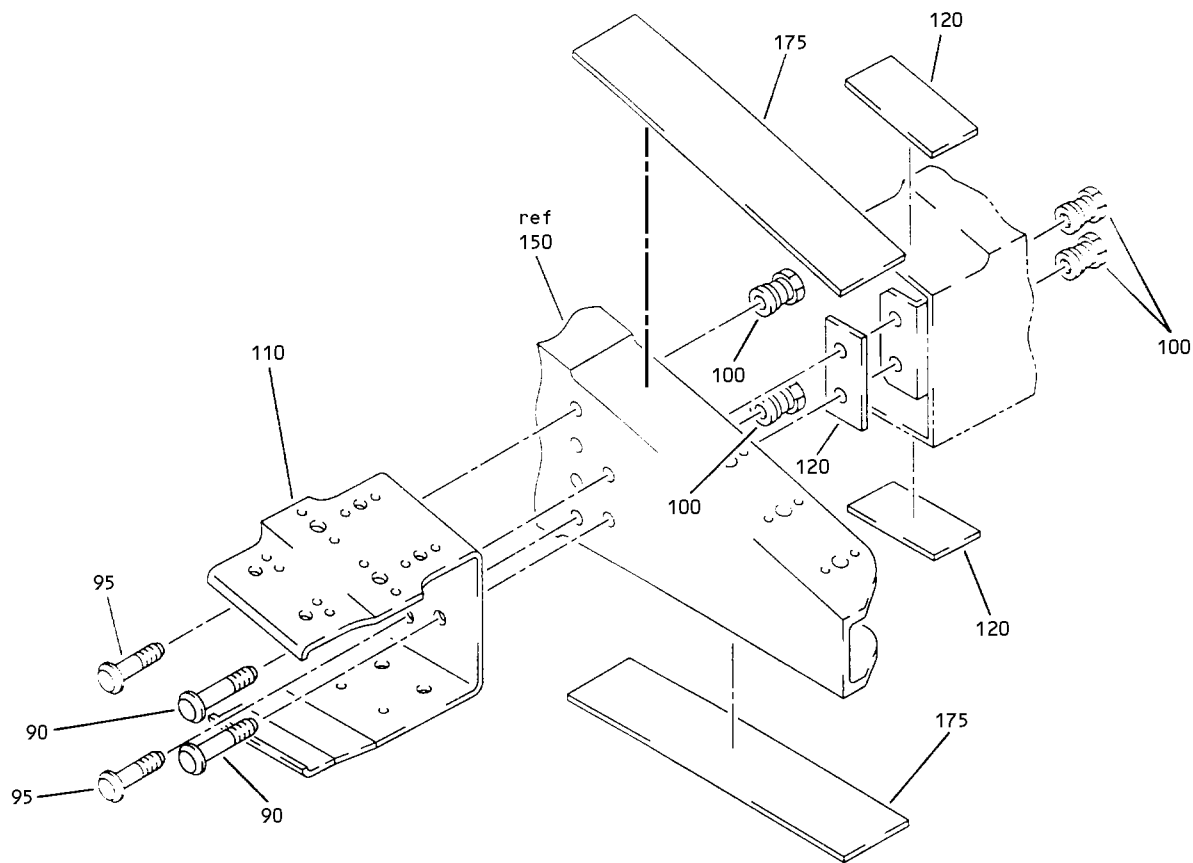
ILLUSTRATED PARTS LIST
 01.1 Page 1062D
 Nov 01/04



Outboard End Rib Installation
Figure 7 (Sheet 1)

57-53-51

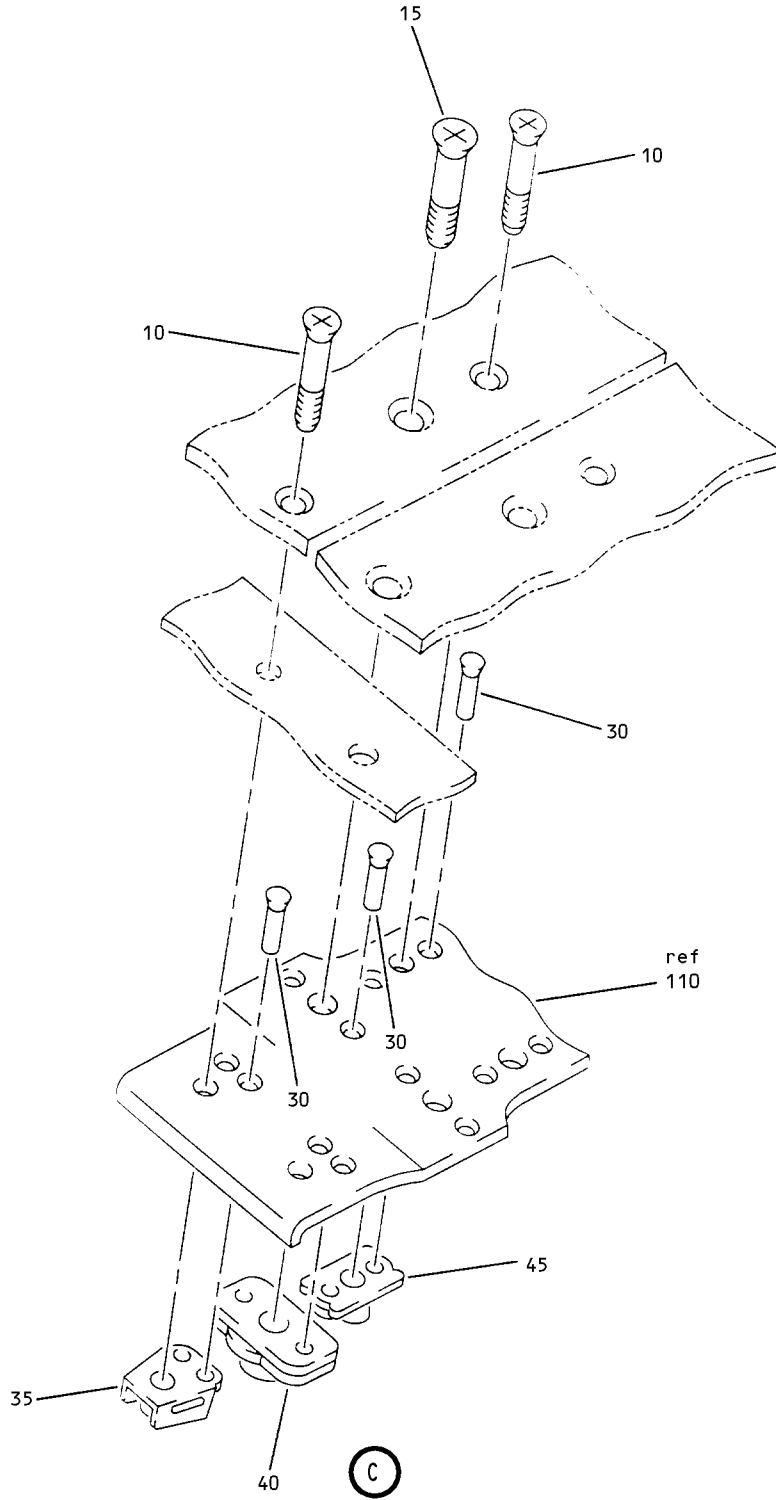
ILLUSTRATED PARTS LIST
01.1 Page 1062E
Nov 01/04



(B)

Outboard End Rib Installation
Figure 7 (Sheet 2)

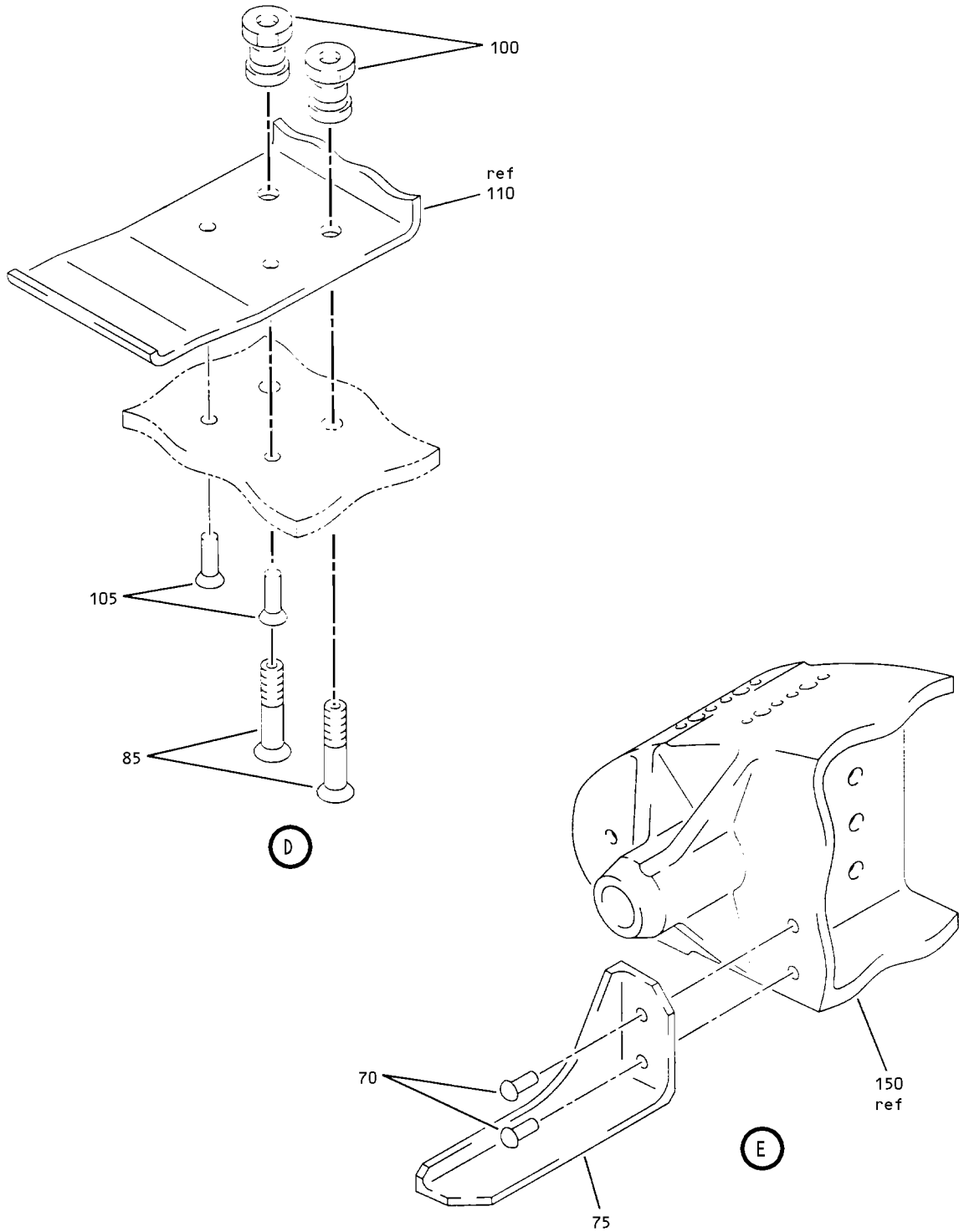
57-53-51
ILLUSTRATED PARTS LIST
01.1 Page 1062F
Nov 01/04



Outboard End Rib Installation
Figure 7 (Sheet 3)

57-53-51

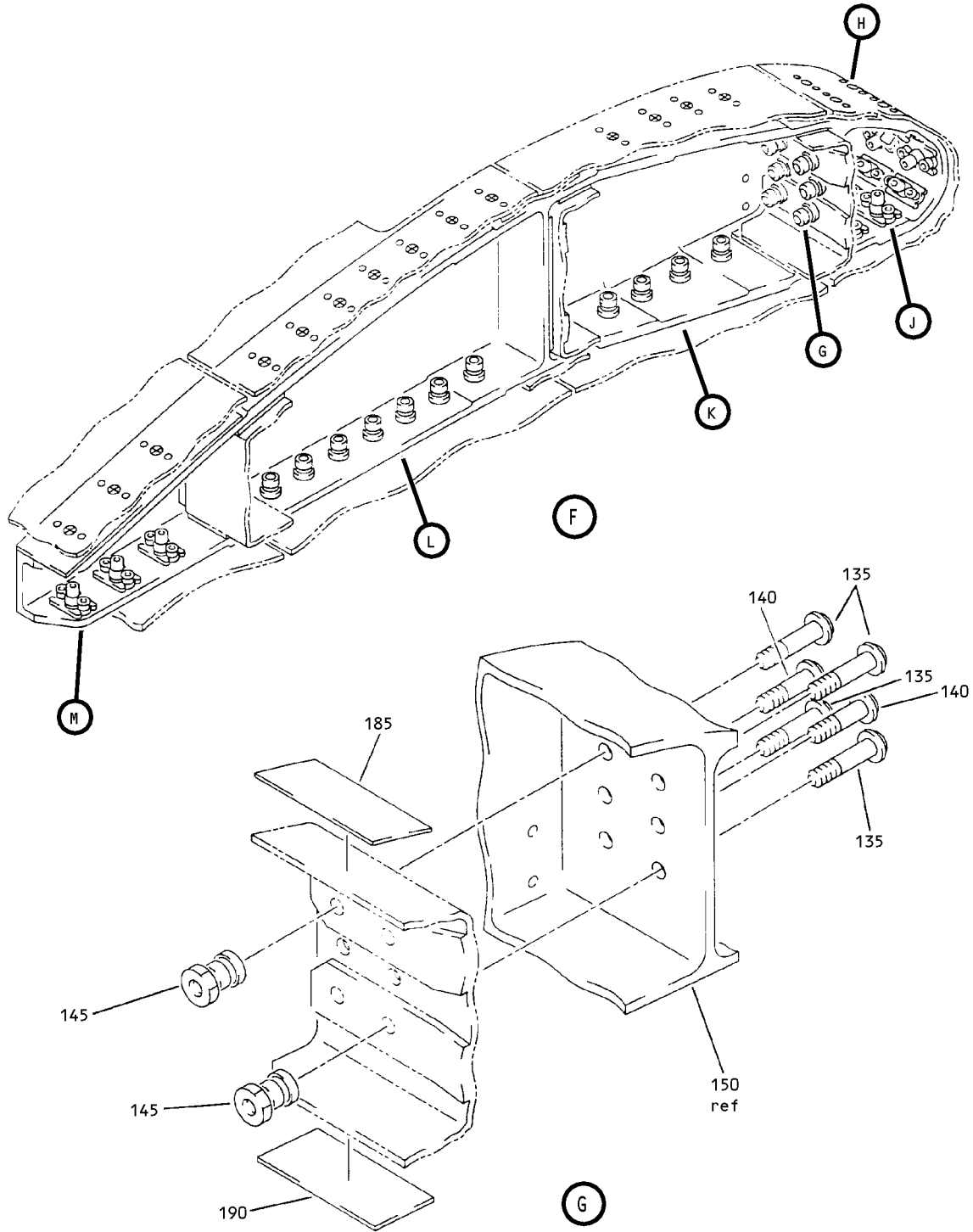
ILLUSTRATED PARTS LIST
01.1 Page 1062G
Nov 01/04



Outboard End Rib Installation
Figure 7 (Sheet 4)

57-53-51

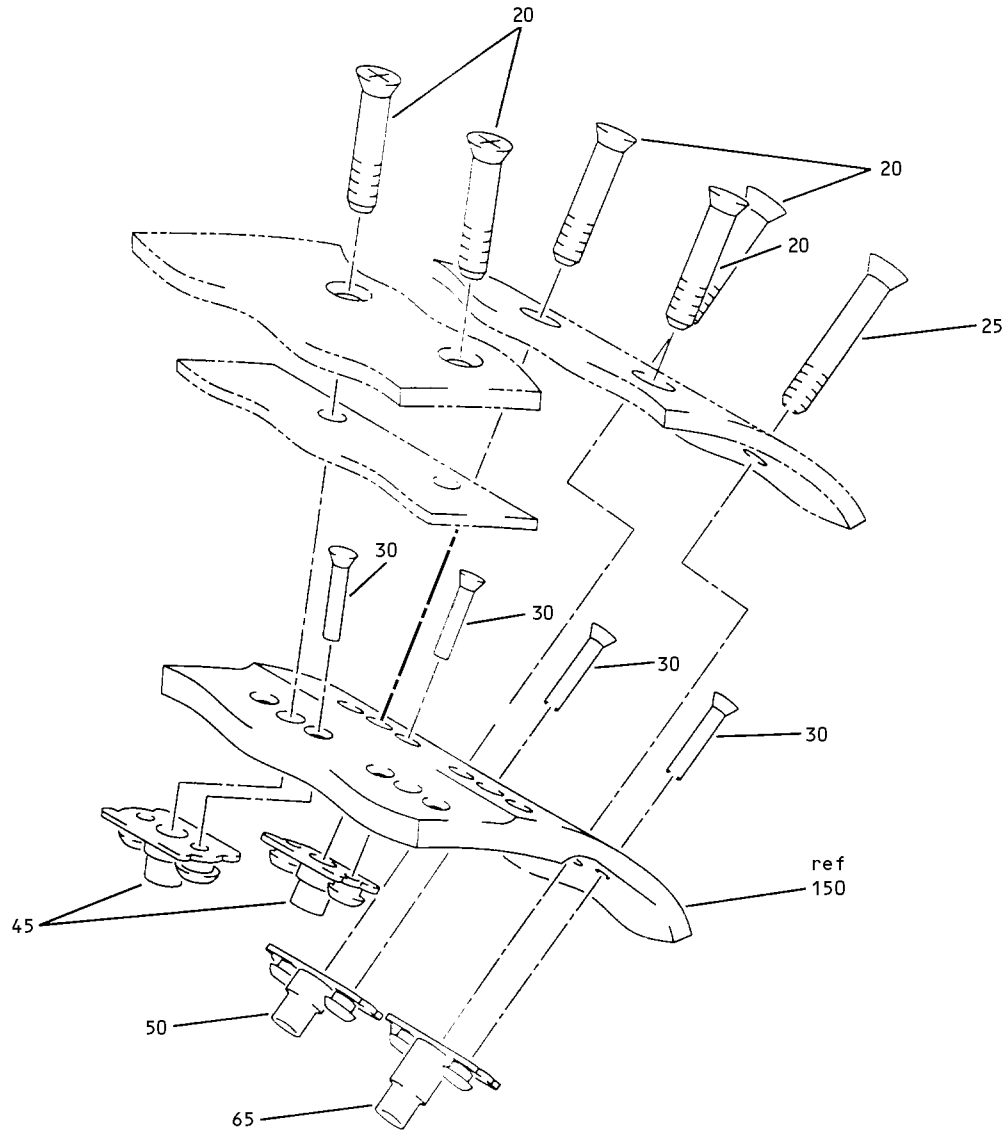
ILLUSTRATED PARTS LIST
01.1 Page 1062H
Nov 01/04



Outboard End Rib Installation
Figure 7 (Sheet 5)

57-53-51

ILLUSTRATED PARTS LIST
01.1 Page 1062I
Nov 01/04

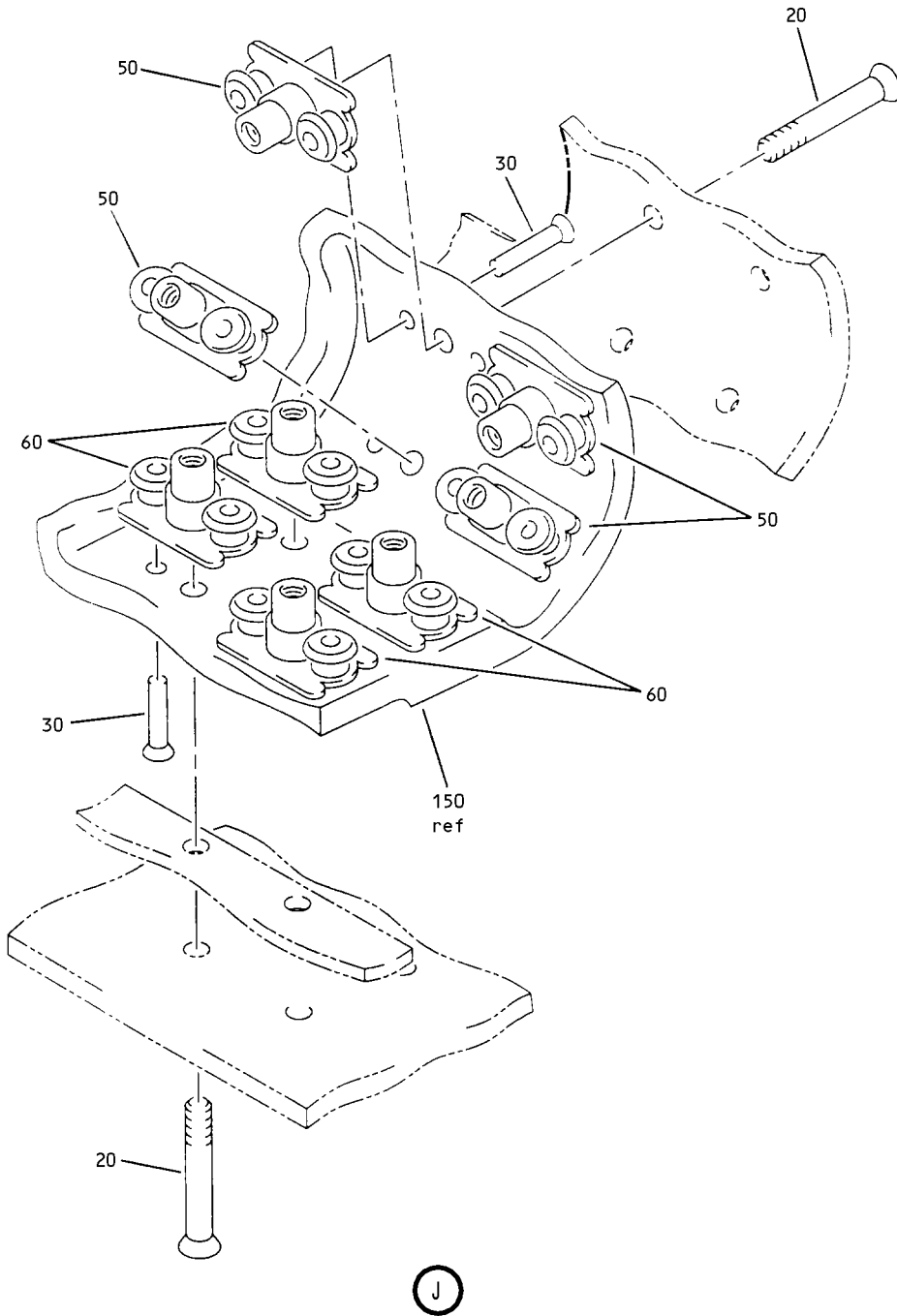


(H)

Outboard End Rib Installation
Figure 7 (Sheet 6)

57-53-51

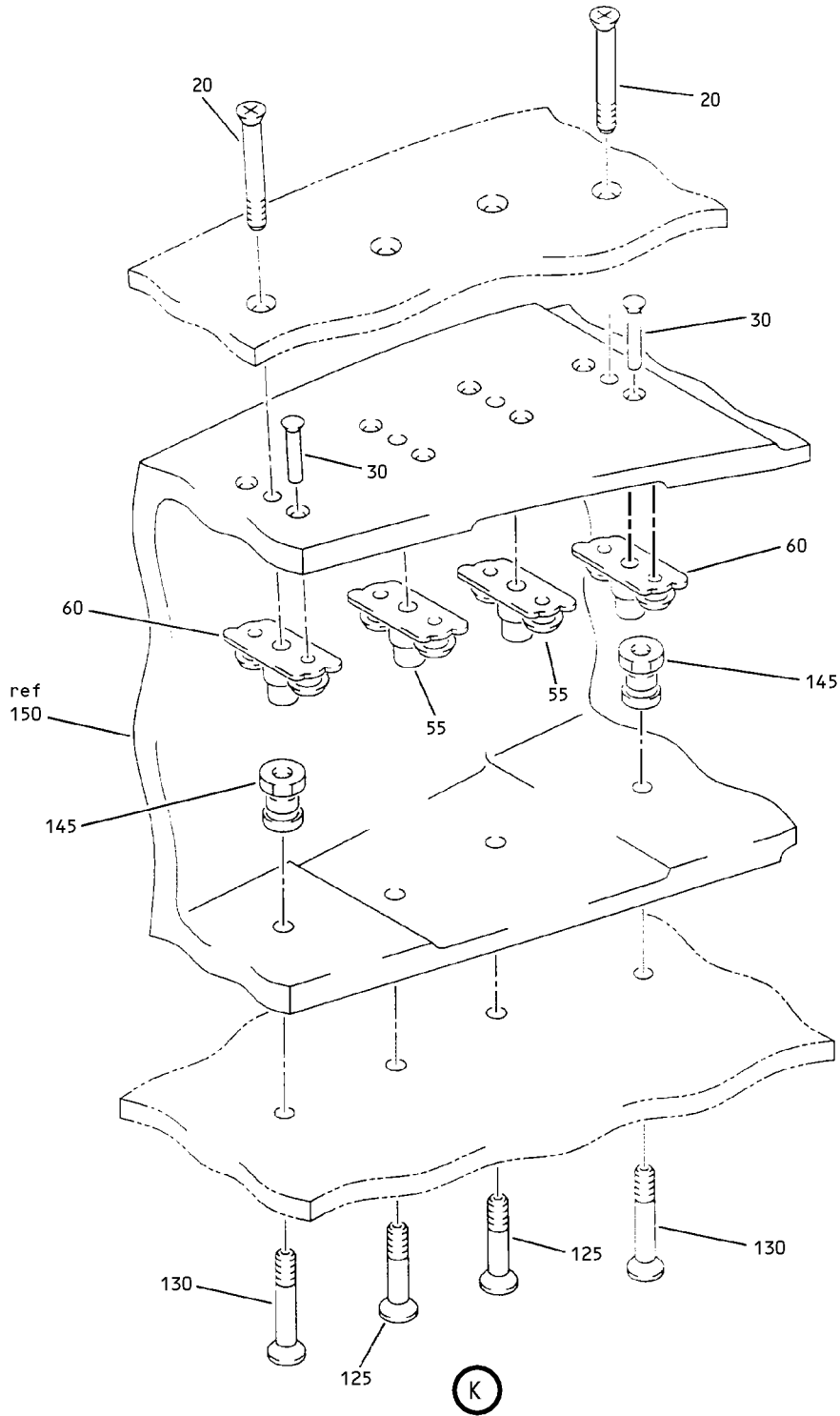
ILLUSTRATED PARTS LIST
01.1 Page 1062J
Nov 01/04



Outboard End Rib Installation
Figure 7 (Sheet 7)

57-53-51

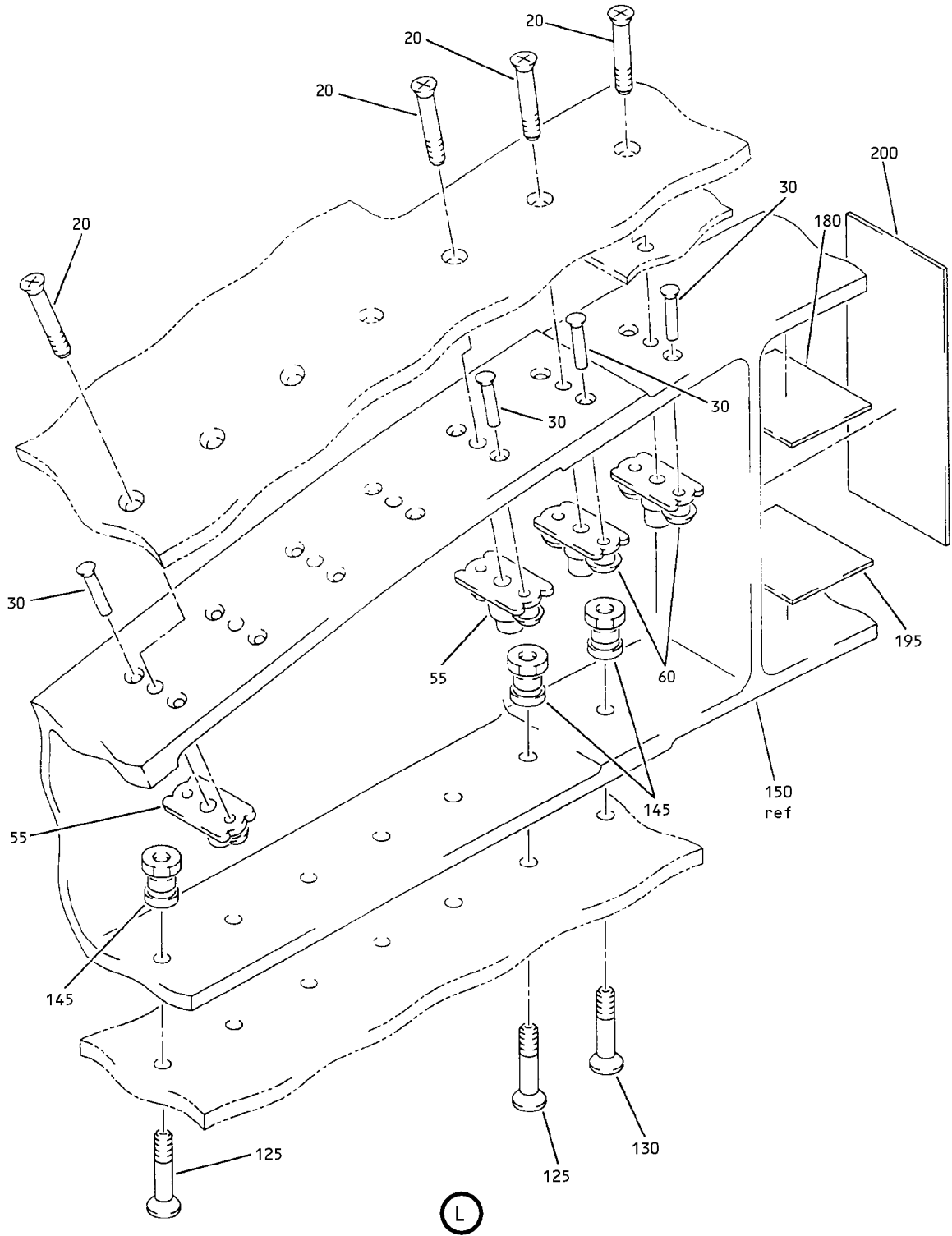
ILLUSTRATED PARTS LIST
01.1 Page 1062K
Nov 01/04



Outboard End Rib Installation
Figure 7 (Sheet 8)

57-53-51

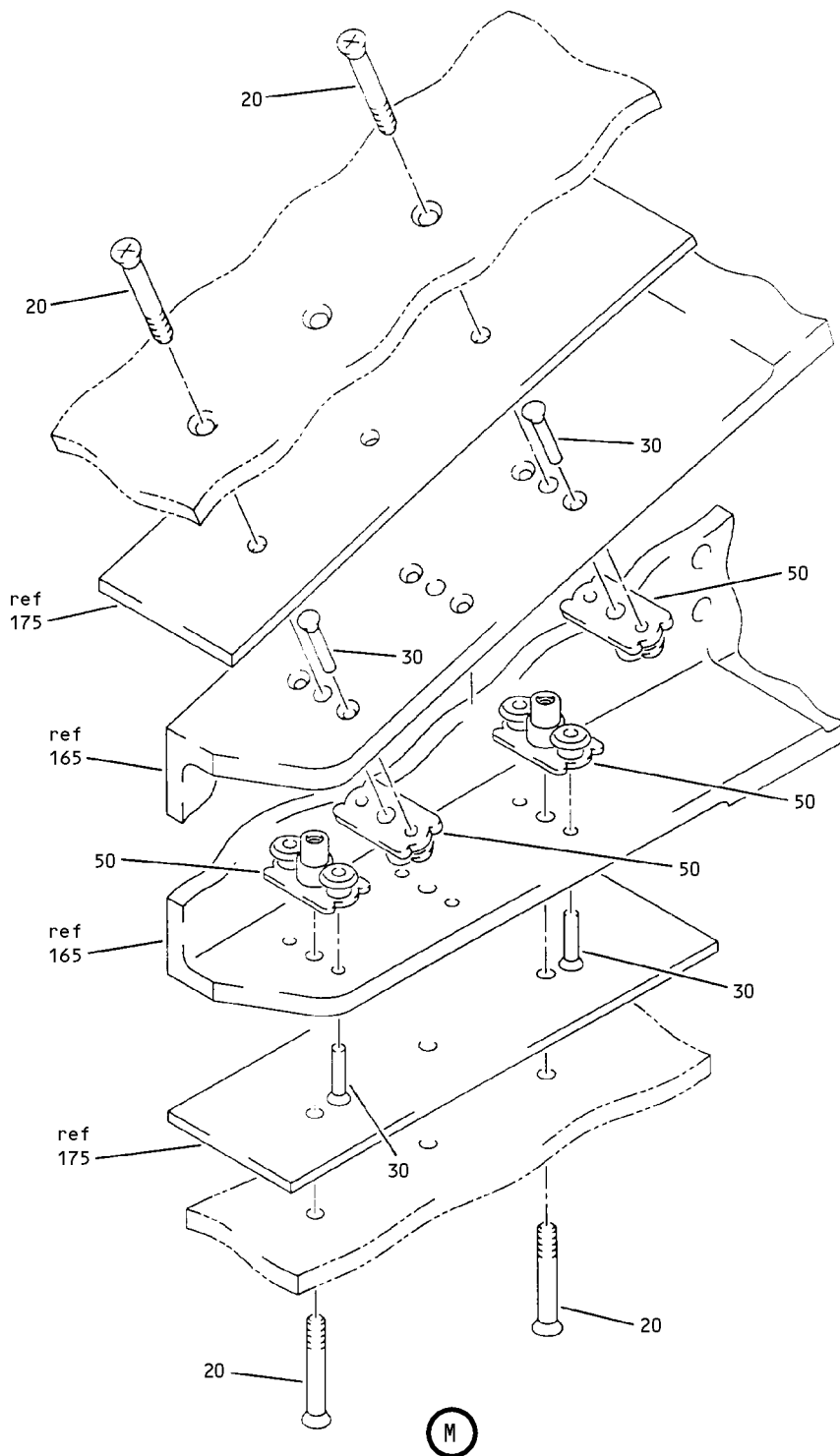
ILLUSTRATED PARTS LIST
01.1 Page 1062L
Nov 01/04



Outboard End Rib Installation
Figure 7 (Sheet 9)

57-53-51

ILLUSTRATED PARTS LIST
01.1 Page 1062M
Nov 01/04



Outboard End Rib Installation
Figure 7 (Sheet 10)

57-53-51

ILLUSTRATED PARTS LIST
01.1 Page 1062N
Nov 01/04


BOEING
 COMPONENT
 MAINTENANCE MANUAL

FIG. & ITEM	PART NO.	AIRLINE PART NUMBER	NOMENCLATURE 1234567	EFF CODE	QTY PER ASSY
07-					
-1A	113T3167-401		RIB INSTL-END, OUTBD	AK, BB	RF
-5	113T3167-402		RIB INSTL-END, OUTBD	AM, BC	RF
10	BACB30NN3K4		.BOLT	AK, AM , BB, B C	4
15	BACB30NN4K2		.BOLT	AK, AM , BB, B C	2
20	BACB30NN3K8		.BOLT	AK, AM , BB, B C	30
25	BACB30LR4-11		.BOLT	AK, AM , BB, B C	1
30	BACR15BA3AD		.RIVET- (SIZE DETERMINE ON INST)	AK, AM , BB, B C	74
35	102F9209M3		.NUTPLATE- (V72962) (SPEC BACN10KH3CD) (OPT FS1651-3 (V15653)) (OPT NS202496-02 (V80539))	AK, AM , BB, B C	2
40	BRFM20C4D		.NUTPLATE- (V52828) (SPEC BACN10JN4CD) (OPT T8301C428CD (V11815)) (OPT 102F9201M4 (V72962)) (OPT NS202487-048 (V80539)) (OPT MF51637-4 (V15653)) (OPT MF53050-4CD (V15653))	AK, AM , BB, B C	2

57-53-51

 ILLUSTRATED PARTS LIST
 01.1 Page 10620
 Nov 01/04

FIG. & ITEM	PART NO.	AIRLINE PART NUMBER	NOMENCLATURE 1234567	EFF CODE	QTY PER ASSY
07-45	MF51594-3-2BAC		.NUTPLATE- (V15653) (SPEC BACN10YF32CD)	AK,AM ,BB,B C	6
50	MF51594-3-4BAC		.NUTPLATE- (V15653) (SPEC BACN10YF34CD)	AK,AM ,BB,B C	11
55	MF51594-3-5BAC		.NUTPLATE- (V15653) (SPEC BACN10YF35CD)	AK,AM ,BB,B C	7
60	MF51594-3-3BAC		.NUTPLATE- (V15653) (SPEC BACN10YF33CD)	AK,AM ,BB,B C	8
65	BACN10YF48CD		.NUTPLATE	AK,AM ,BB,B C	1
70	BACR15FT6AD		.RIVET- (SIZE DETERMINE ON INST)	AK,AM ,BB,B C	2
75	113T3175-419		.BRACKET	AK,BB	1
-80	113T3175-420		.BRACKET	AM,BC	1
85	WC331K6-3		.BOLT- (V60516) (SPEC BACB30YP6K3)	AK,AM ,BB,B C	2
90	HST10AG6-4		.BOLT- (V06725) (SPEC BACB30VT6K4) (OPT HST10AG6-4 (V73197)) (OPT HST10AG6-4 (V56878)) (OPT HST10AG6-4 (VOPTK6))	AK,AM ,BB,B C	2
95	HST10AG6-3		.BOLT- (VOPTK6) (SPEC BACB30VT6K3) (OPT HST10AG6-3 (V06725)) (OPT HST10AG6-3 (V56878)) (OPT HST10AG6-3 (V73197))	AK,AM ,BB,B C	4

57-53-51

 ILLUSTRATED PARTS LIST
 01.1 Page 1062P
 Nov 01/04


BOEING
 COMPONENT
 MAINTENANCE MANUAL

FIG. & ITEM	PART NO.	AIRLINE PART NUMBER	NOMENCLATURE 1234567	EFF CODE	QTY PER ASSY
07-100	HST79CY6		.COLLAR- (V73197) (SPEC BACC30BL6) (OPT HST79-6 (V92215)) (OPT HST79CY6 (V56878)) (OPT HST79CY6 (V5M902))	AK,AM ,BB,B C	8
105	BACR15CE6KE		.RIVET- (SIZE DETERMINE ON INST)	AK,AM ,BB,B C	2
110	113T3175-19		.BRACKET	AK,BB	1
-115	113T3175-20		.BRACKET	AM,BC	1
120	BACS40R008B018F		.SHIM	AK,AM ,BB,B C	3
125	WC331K6-4		.BOLT- (V60516) (SPEC BACB30YP6K4)	AK,AM ,BB,B C	8
130	WC331K6-5		.BOLT- (V60516) (SPEC BACB30YP6K5)	AK,AM ,BB,B C	3
135	HST10AG6-5		.BOLT- (V0PTK6) (SPEC BACB30VT6K5) (OPT HST10AG6-5 (V06725)) (OPT HST10AG6-5 (V56878)) (OPT HST10AG6-5 (V73197))	AK,AM ,BB,B C	4

57-53-51

ILLUSTRATED PARTS LIST

01.1 Page 1062Q

Nov 01/04

FIG. & ITEM	PART NO.	AIRLINE PART NUMBER	NOMENCLATURE 1234567	EFF CODE	QTY PER ASSY
07-140	HST10AG6-3		.BOLT- (VOPTK6) (SPEC BACB30VT6K3) (OPT HST10AG6-3 (V06725)) (OPT HST10AG6-3 (V56878)) (OPT HST10AG6-3 (V73197))	AK,AM ,BB,B C	2
145	HST79CY6		.COLLAR- (V73197) (SPEC BACC30BL6) (OPT HST79-6 (V92215)) (OPT HST79CY6 (V56878)) (OPT HST79CY6 (V5M902))	AK,AM ,BB,B C	17
150	113T3134-401		.RIB ASSY	AK, BB	1
-155	113T3134-402		.RIB ASSY	AM, BC	1
160	BACB28AP08P091		..BUSHING	AK,AM ,BB,B C	2
165	113T3134-403		..RIB	AK, BB	1
-170	113T3134-404		..RIB	AM, BC	1
175	BACS40R012C050F		.SHIM	AK,AM ,BB,B C	2
180	BACS40R009C009F		.SHIM	AK,AM ,BB,B C	1
185	BACS40R009C020F		.SHIM	AK,AM ,BB,B C	1

57-53-51

 ILLUSTRATED PARTS LIST
 01.1 Page 1062R
 Nov 01/04


BOEING
 COMPONENT
 MAINTENANCE MANUAL

FIG. & ITEM	PART NO.	AIRLINE PART NUMBER	NOMENCLATURE 1234567	EFF CODE	QTY PER ASSY
07-190	BACS40R007C020F		.SHIM	AK,AM ,BB,B C	1
195	BACS40R008C009F		.SHIM	AK,AM ,BB,B C	1
200	BACS40R009C032F		.SHIM	AK,AM ,BB,B C	1

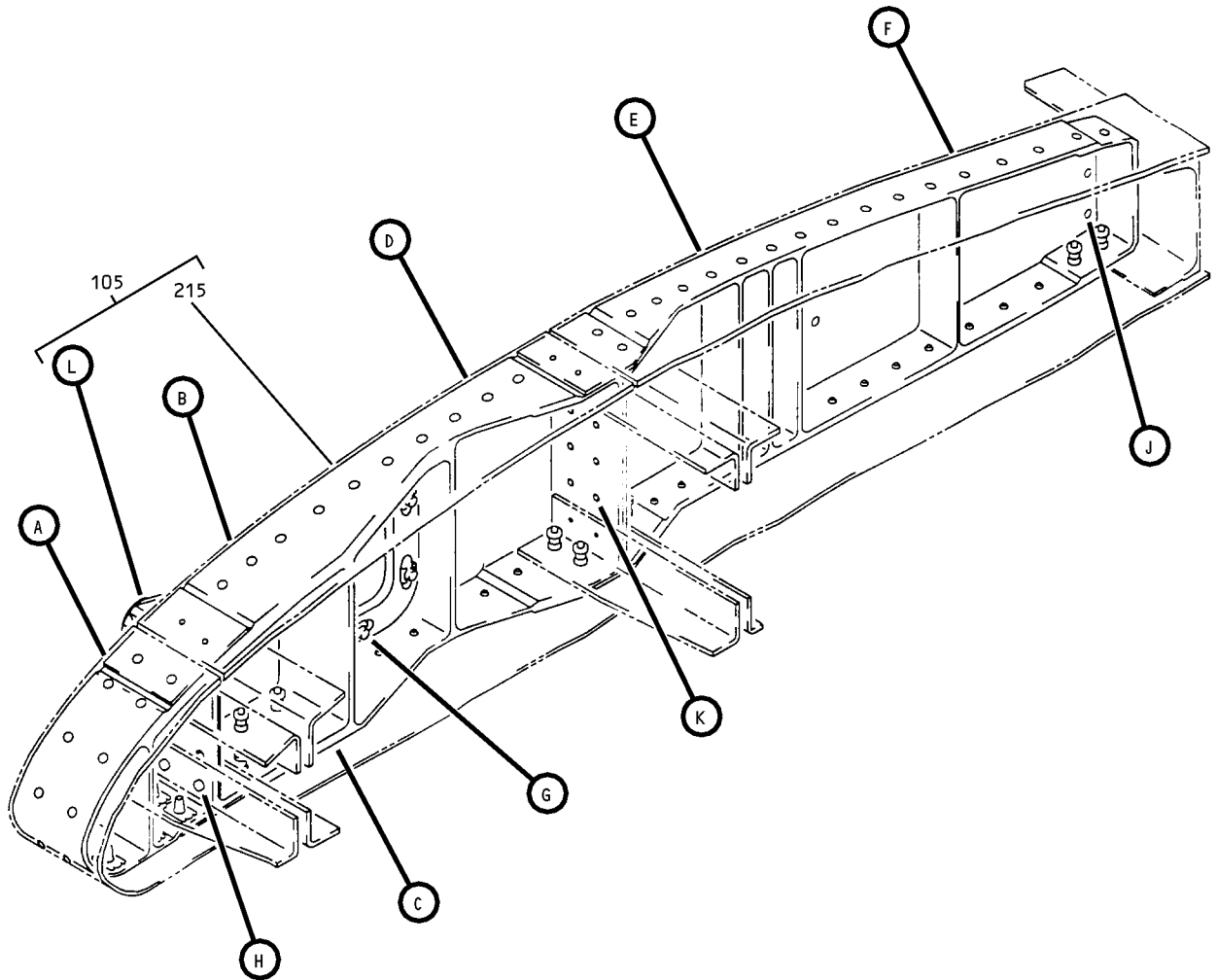
- Item Not Illustrated

57-53-51

ILLUSTRATED PARTS LIST

01.1 Page 1062S

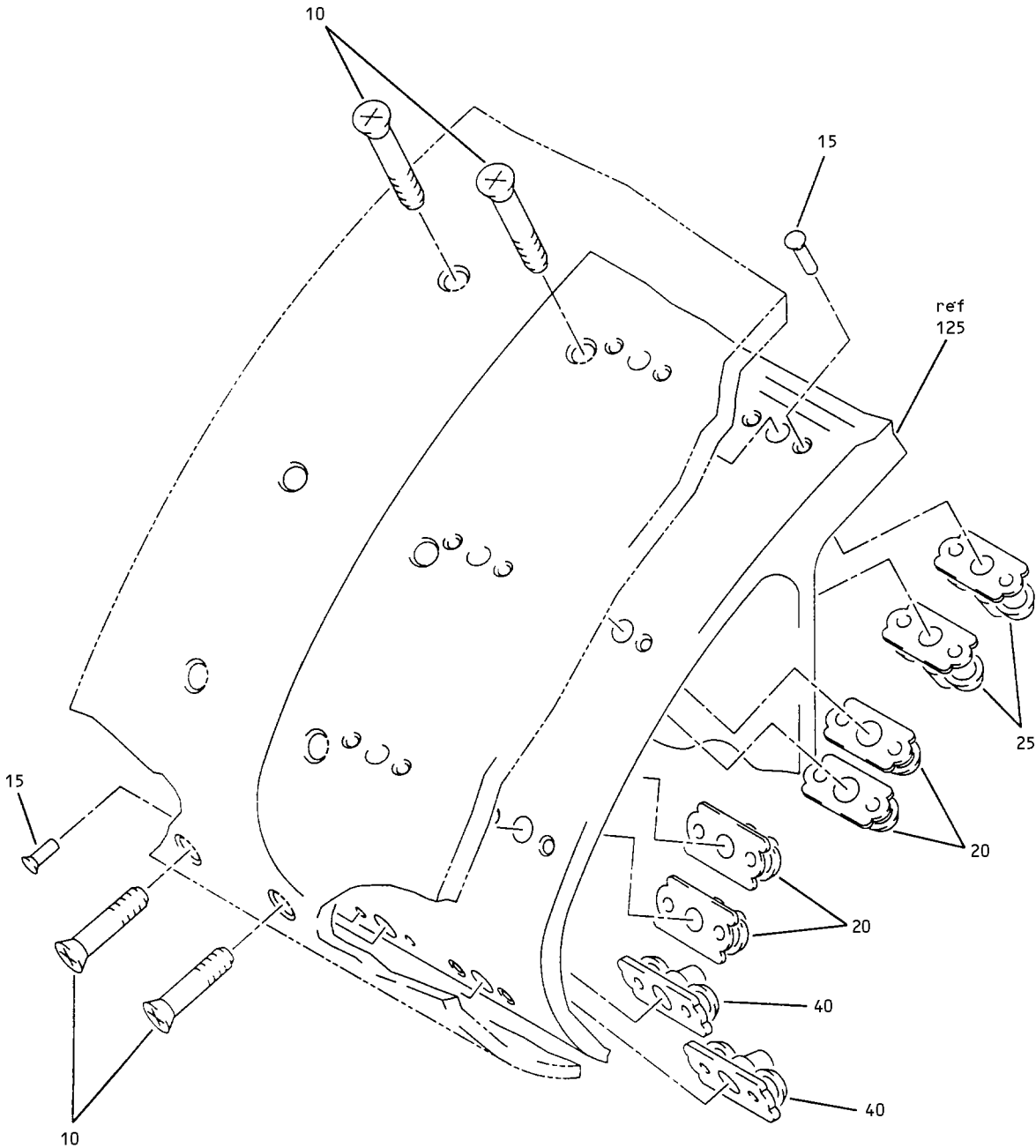
Nov 01/04



Inboard End Rib Installation
Figure 8 (Sheet 1)

57-53-51

ILLUSTRATED PARTS LIST
01.1 Page 1062U
Nov 01/04

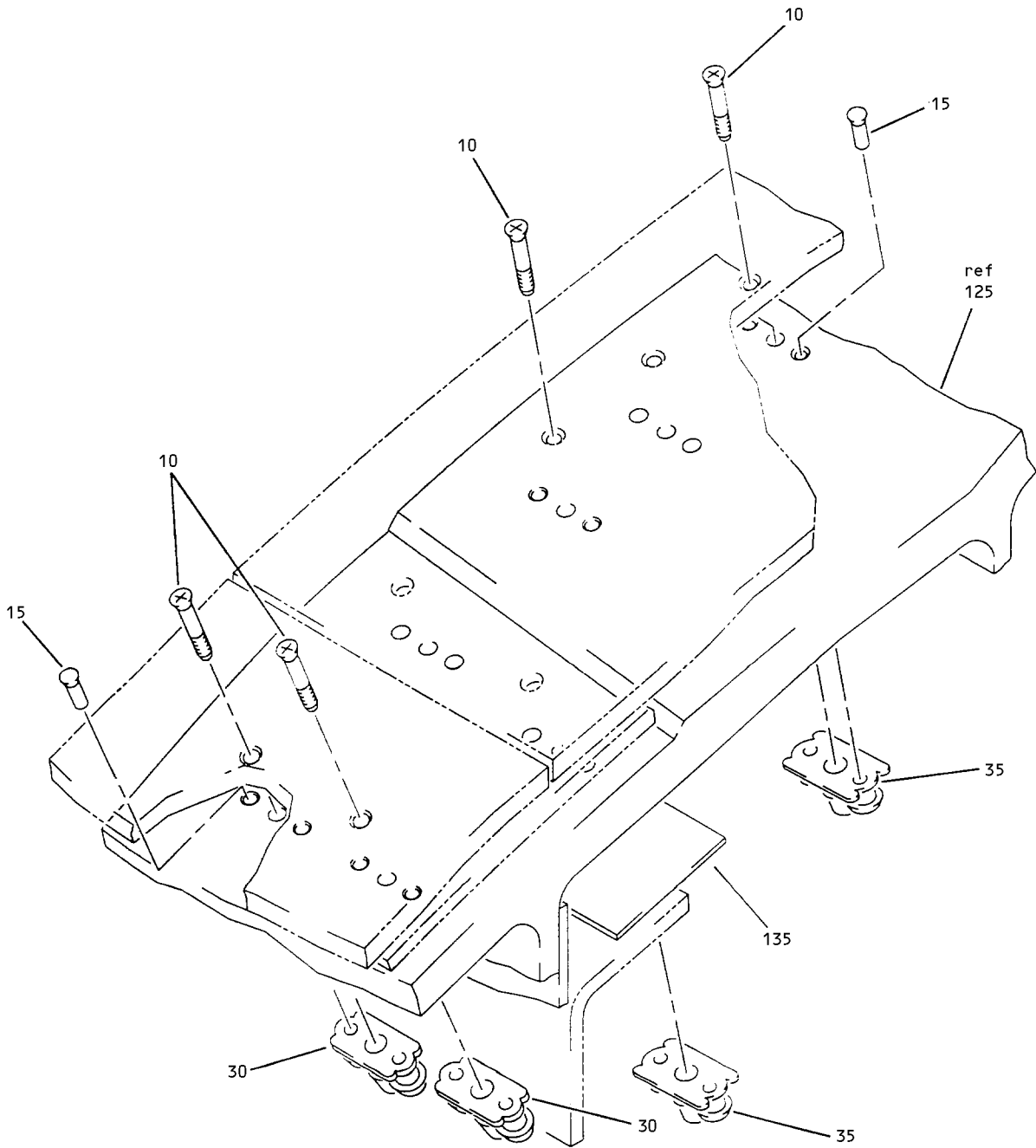


(A)

Inboard End Rib Installation
Figure 8 (Sheet 2)

57-53-51

ILLUSTRATED PARTS LIST
01.1 Page 1062V
Nov 01/04

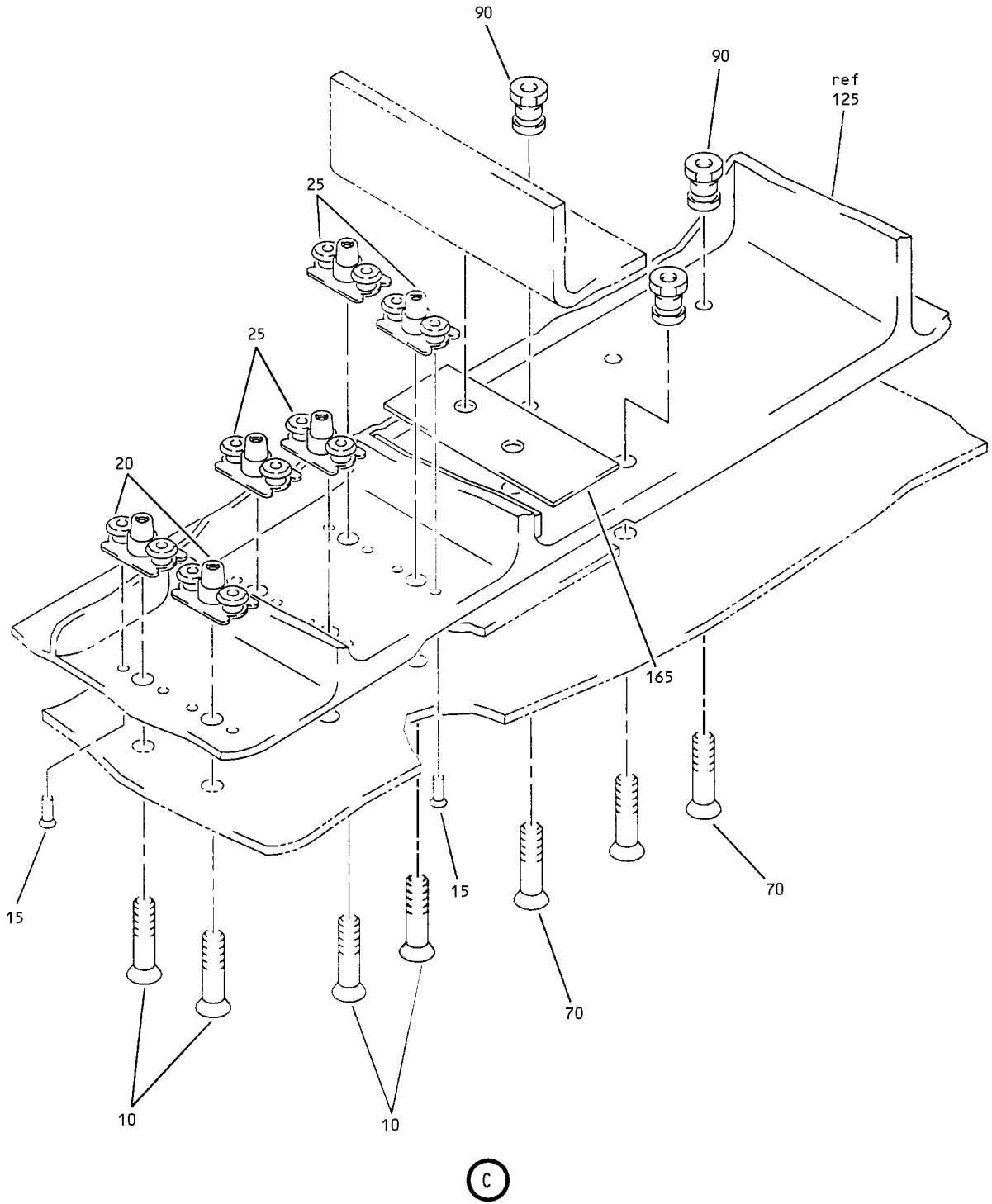


(B)

Inboard End Rib Installation
Figure 8 (Sheet 3)

57-53-51

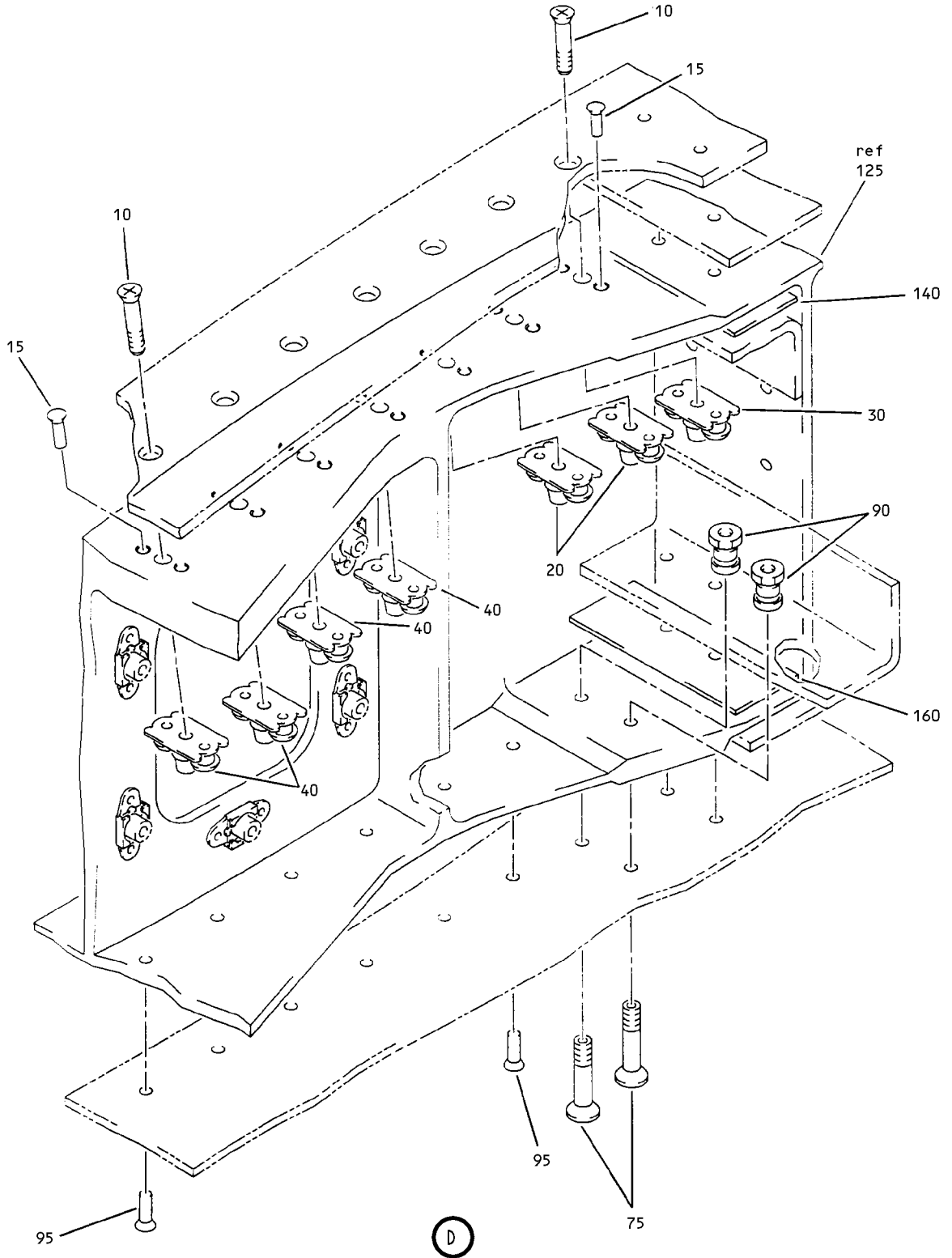
ILLUSTRATED PARTS LIST
01.1 Page 1062W
Nov 01/04



Inboard End Rib Installation
Figure 8 (Sheet 4)

57-53-51

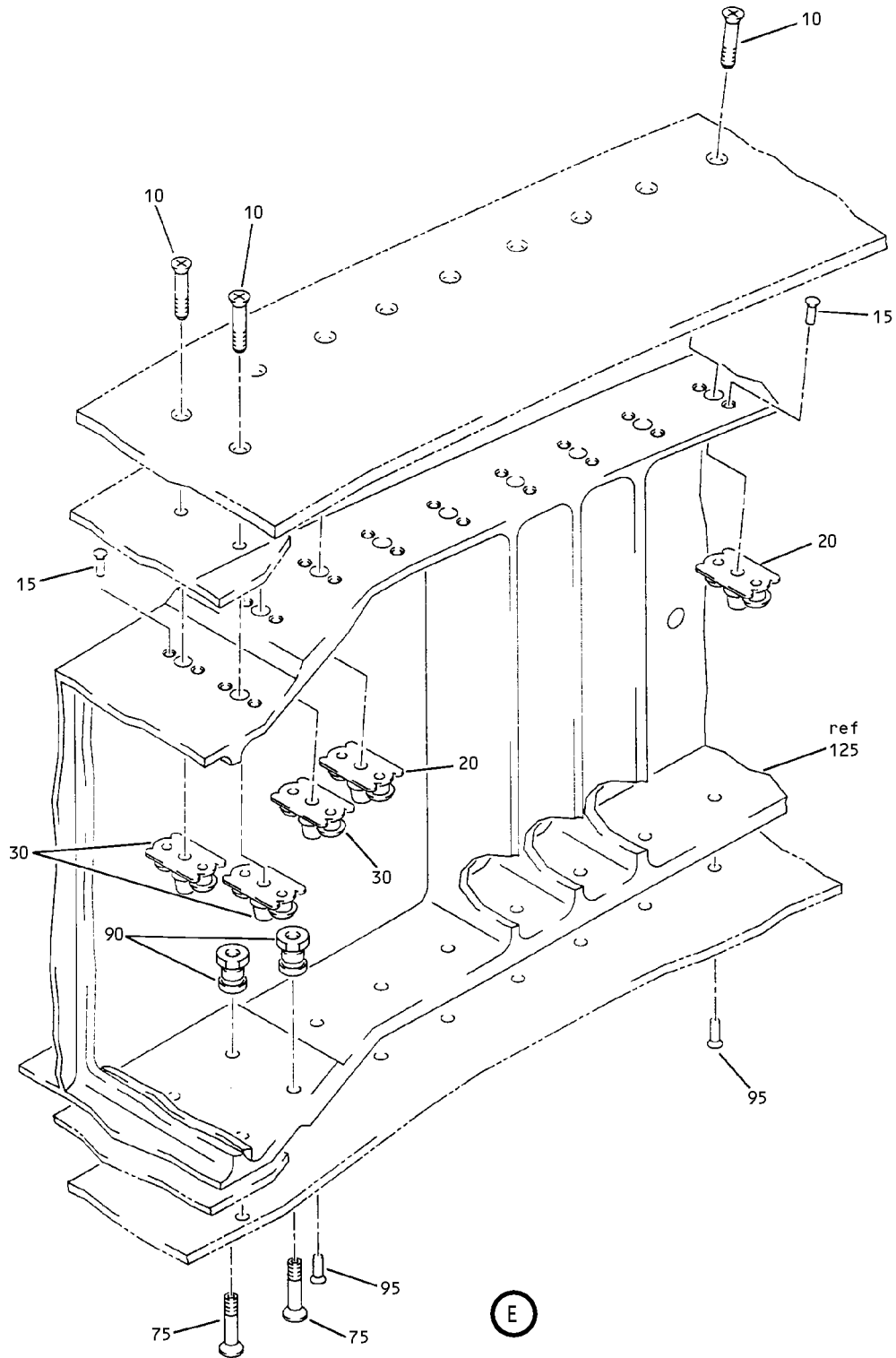
ILLUSTRATED PARTS LIST
01.1 Page 1062X
Nov 01/04



Inboard End Rib Installation
Figure 8 (Sheet 5)

57-53-51

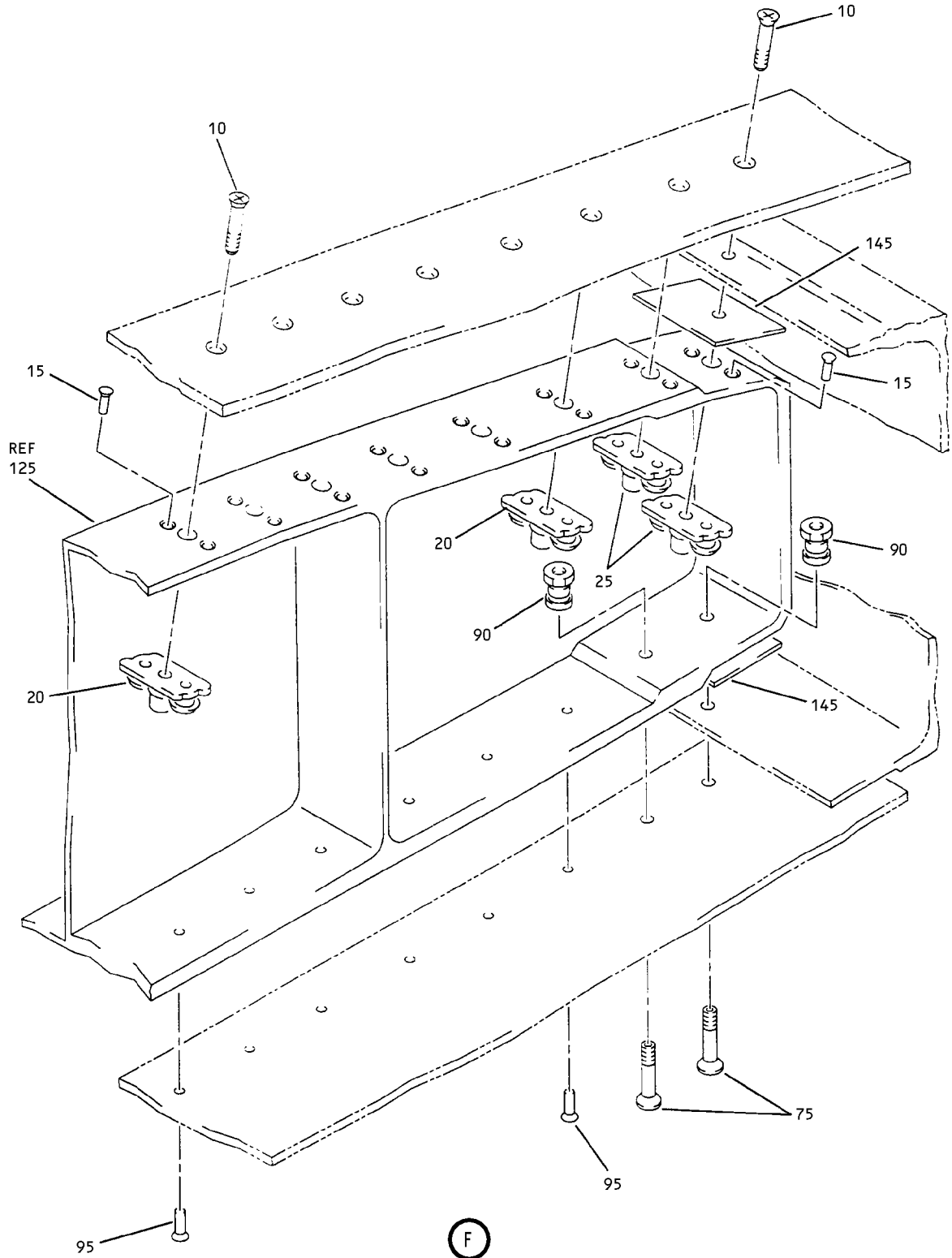
ILLUSTRATED PARTS LIST
01.1 Page 1062Y
Nov 01/04



Inboard End Rib Installation
Figure 8 (Sheet 6)

57-53-51

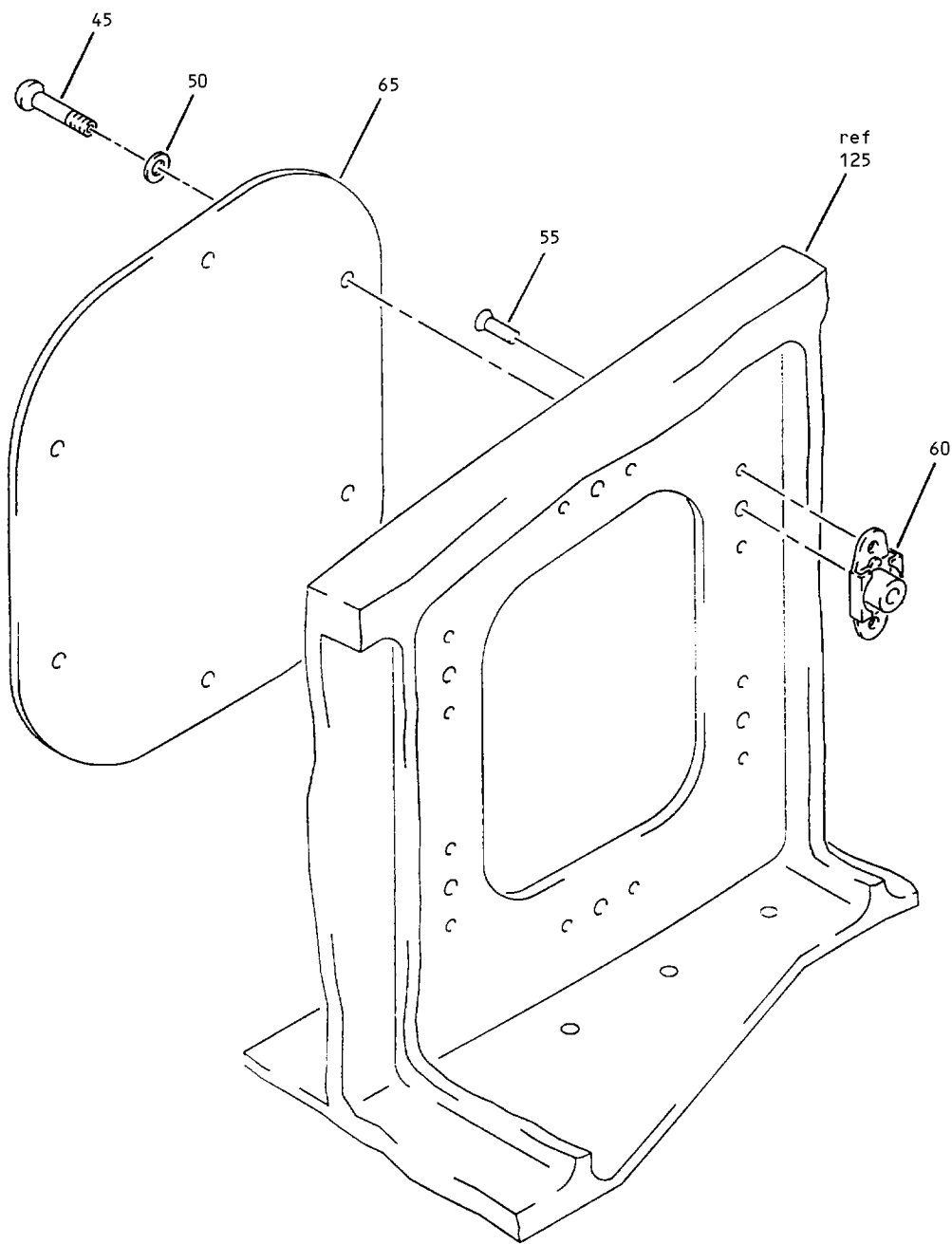
ILLUSTRATED PARTS LIST
01.1 Page 1062Z
Nov 01/04



Inboard End Rib Installation
Figure 8 (Sheet 7)

57-53-51

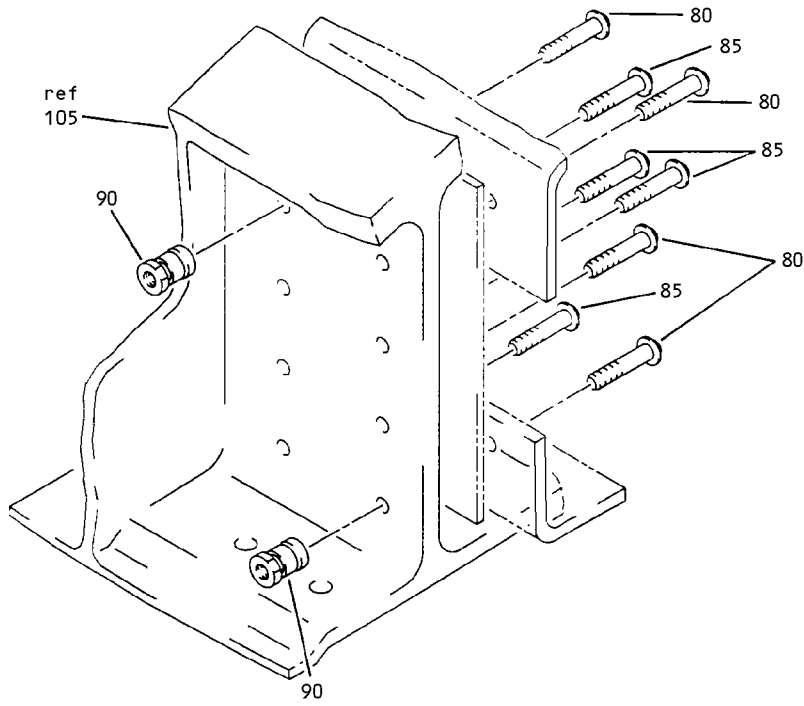
ILLUSTRATED PARTS LIST
01.1 Page 1063
Nov 01/04



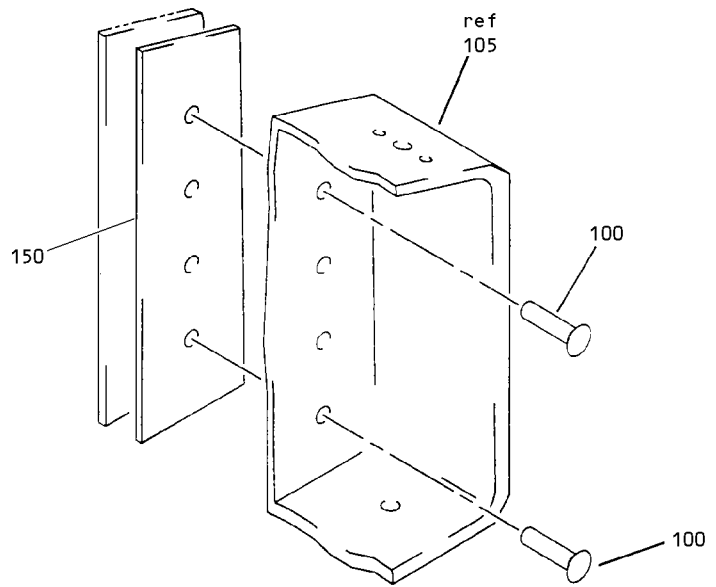
(F)

Inboard End Rib Installation
Figure 8 (Sheet 8)

57-53-51
ILLUSTRATED PARTS LIST
01.1 Page 1064
Nov 01/04



(H)

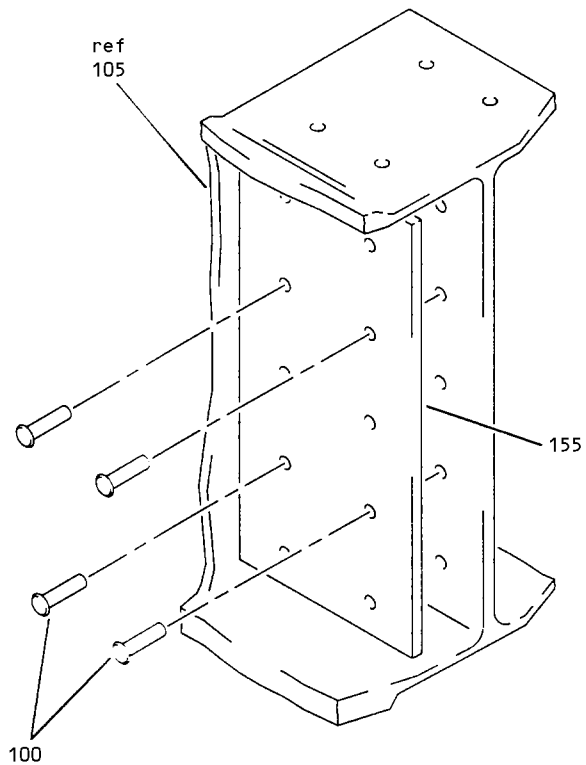


(J)

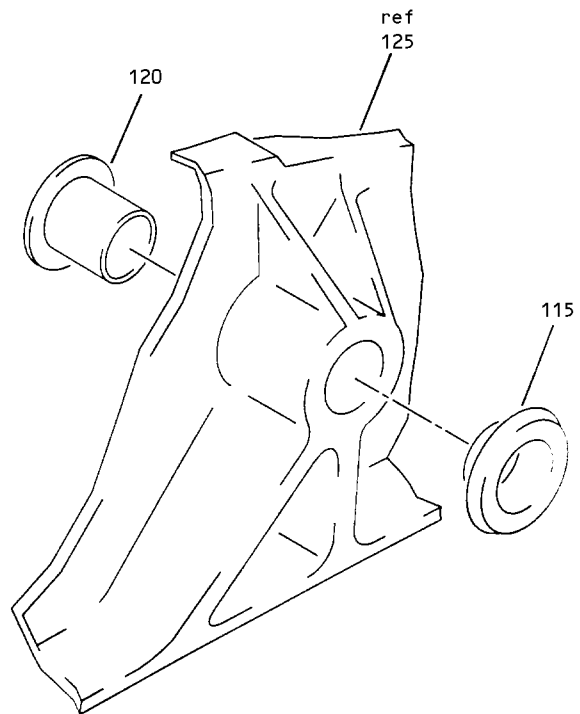
Inboard End Rib Installation
Figure 8 (Sheet 9)

57-53-51

ILLUSTRATED PARTS LIST
01.1 Page 1064A
Nov 01/04



(K)



(L)

Inboard End Rib Installation
Figure 8 (Sheet 10)

57-53-51

ILLUSTRATED PARTS LIST
01.1 Page 1064B
Nov 01/04


BOEING
 COMPONENT
 MAINTENANCE MANUAL

FIG. & ITEM	PART NO.	AIRLINE PART NUMBER	NOMENCLATURE 1234567	EFF CODE	QTY PER ASSY
08-					
-1A	113T3166-401		RIB INSTL-END, INBD	AK, BB	RF
-5	113T3166-402		RIB INSTL-END, INBD	AM, BC	RF
10	BACB30NN3K8		.BOLT	AK, AM , BB, B C	44
15	BACR15BA3AD		.RIVET- (SIZE DETERMINE ON INST)	AK, AM , BB, B C	88
20	MF51594-3-5BAC		.NUTPLATE- (V15653) (SPEC BACN10YF35CD)	AK, AM , BB, B C	21
25	MF51594-3-2BAC		.NUTPLATE- (V15653) (SPEC BACN10YF32CD)	AK, AM , BB, B C	8
30	MF51594-3-3BAC		.NUTPLATE- (V15653) (SPEC BACN10YF33CD)	AK, AM , BB, B C	6
35	BACN10YF31CD		.NUTPLATE	AK, AM , BB, B C	3
40	MF51594-3-4BAC		.NUTPLATE- (V15653) (SPEC BACN10YF34CD)	AK, AM , BB, B C	6
45	BACB30NT3K4		.BOLT	AK, AM , BB, B C	6
50	NAS1149D0316J		.WASHER	AK, AM , BB, B C	6

57-53-51

 ILLUSTRATED PARTS LIST
 01.1 Page 1064C
 Nov 01/04

FIG. & ITEM	PART NO.	AIRLINE PART NUMBER	NOMENCLATURE 1234567	EFF CODE	QTY PER ASSY
08-55	BACR15BA3AD		.RIVET- (SIZE DETERMINE ON INST)	AK,AM ,BB,B C	12
60	BRF200C3D		.NUTPLATE- (V52828) (SPEC BACN10JR3CFD) (OPT K51602-3BAC (V15653)) (OPT NS202476-02 (V80539)) (OPT 102F9201-3 (V72962)) (OPT T8092C1032CD (V11815))	AK,AM ,BB,B C	6
65	113T3144-401		.DOOR	AK,AM ,BB,B C	1
70	WC331K6-8		.BOLT- (V60516) (SPEC BACB30YP6K8)	AK,AM ,BB,B C	4
75	WC331K6-6		.BOLT- (V60516) (SPEC BACB30YP6K6)	AK,AM ,BB,B C	6
80	HST10AG6-6		.BOLT- (VOPTK6) (SPEC BACB30VT6K6) (OPT HST10AG6-6 (V06725)) (OPT HST10AG6-6 (V56878)) (OPT HST10AG6-6 (V73197))	AK,AM ,BB,B C	4
85	HST10AG6-4		.BOLT- (V06725) (SPEC BACB30VT6K4) (OPT HST10AG6-4 (V73197)) (OPT HST10AG6-4 (V56878)) (OPT HST10AG6-4 (VOPTK6))	AK,AM ,BB,B C	4

57-53-51

ILLUSTRATED PARTS LIST

01.1 Page 1064D

Nov 01/04


BOEING
 COMPONENT
 MAINTENANCE MANUAL

FIG. & ITEM	PART NO.	AIRLINE PART NUMBER	NOMENCLATURE 1234567	EFF CODE	QTY PER ASSY
08-90	HST79CY6		.COLLAR- (V73197) (SPEC BACC30BL6) (OPT HST79-6 (V92215)) (OPT HST79CY6 (V56878)) (OPT HST79CY6 (V5M902))	AK,AM ,BB,B C	18
95	BACR15FT6CE		.RIVET- (SIZE DETERMINE ON INST)	AK,AM ,BB,B C	19
100	BACR15FT6KE		.RIVET- (SIZE DETERMINE ON INST)	AK,AM ,BB,B C	10
105	113T3133-401		.RIB ASSY	AK,BB	1
-110	113T3133-402		.RIB ASSY	AM,BC	1
115	113W3569-1		..BUSHING	AK,AM ,BB,B C	1
120	BACB28AP14P108		..BUSHING	AK,AM ,BB,B C	1
125	113T3133-403		..RIB	AK,BB	1
-130	113T3133-404		..RIB	AM,BC	1
135	BACS40R011C018F		.SHIM	AK,AM ,BB,B C	1
140	BACS40R009C017F		.SHIM	AK,AM ,BB,B C	1
145	BACS40R008D012F		.SHIM	AK,AM ,BB,B C	2

57-53-51

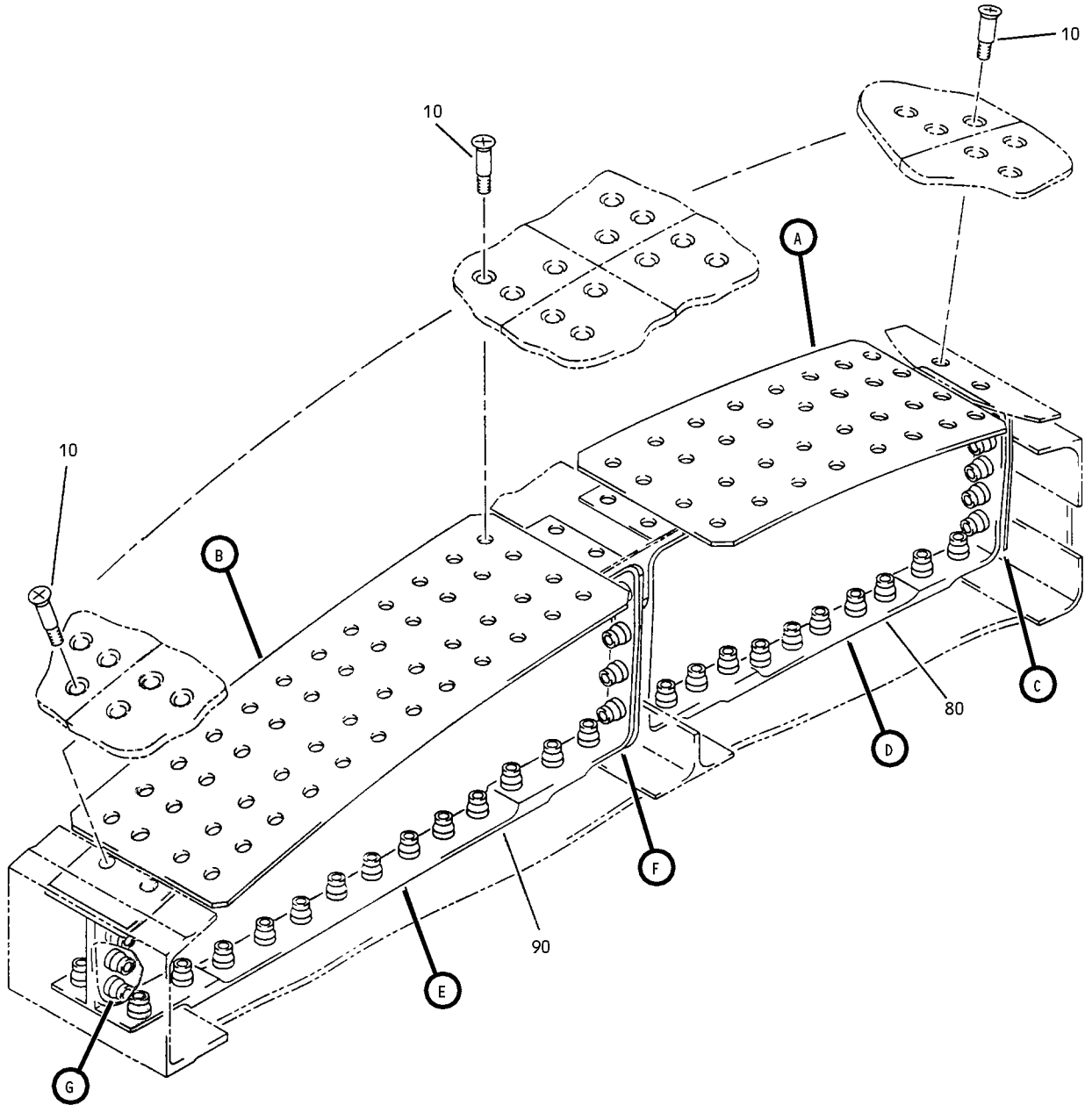
 ILLUSTRATED PARTS LIST
 01.1 Page 1064E
 Nov 01/04

FIG. & ITEM	PART NO.	AIRLINE PART NUMBER	NOMENCLATURE 1234567	EFF CODE	QTY PER ASSY
08-150	BACS40R007C031F		.SHIM	AK,AM ,BB,B C	1
155	BACS40R017C050F		.SHIM	AK,AM ,BB,B C	1
160	BACS40R007C017F		.SHIM	AK,AM ,BB,B C	1
165	BACS40R009C018F		.SHIM	AK,AM ,BB,B C	1

- Item Not Illustrated

57-53-51

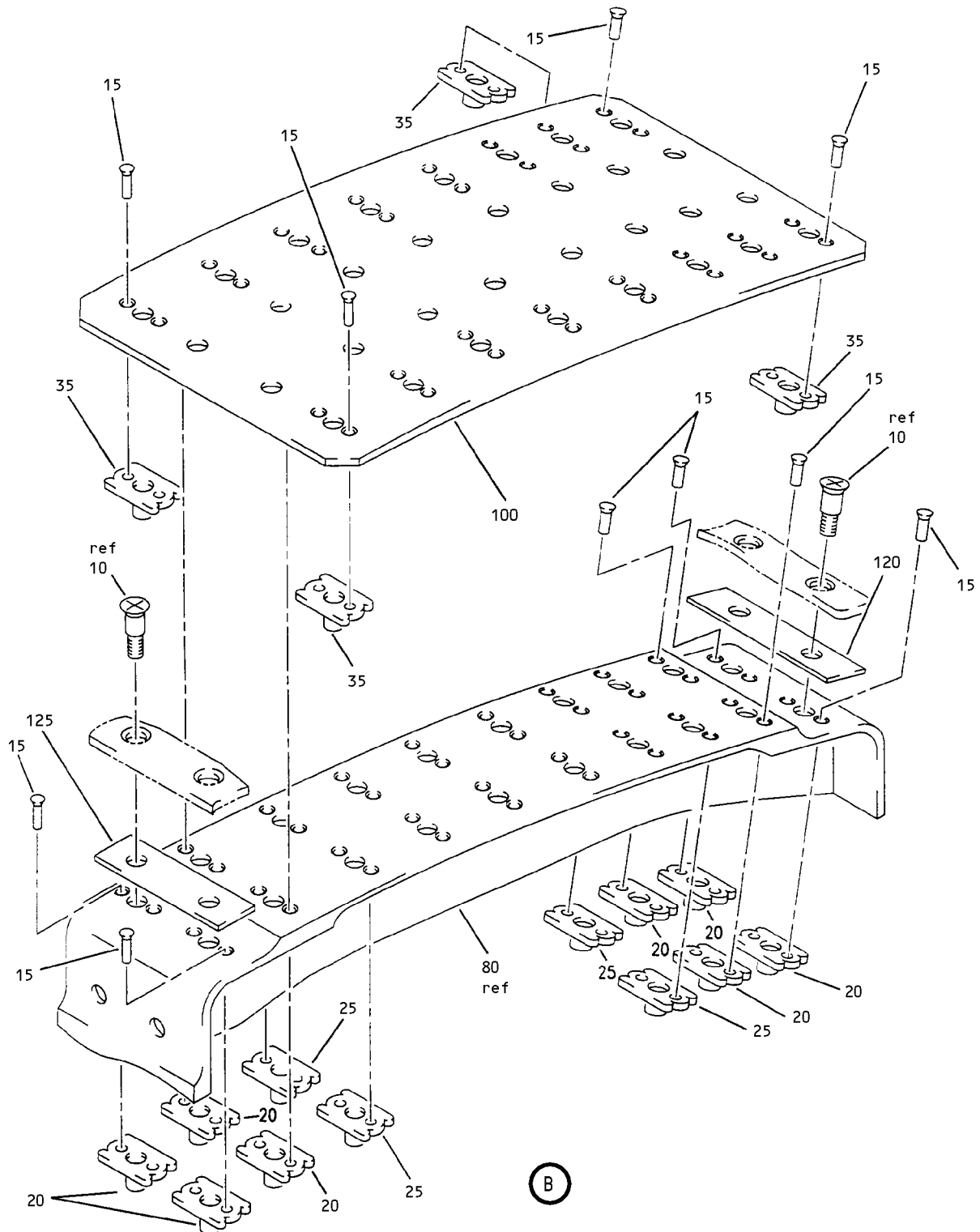
ILLUSTRATED PARTS LIST
 01.1 Page 1064F
 Nov 01/04



Splice Rib Installation
Figure 9 (Sheet 1)

57-53-51

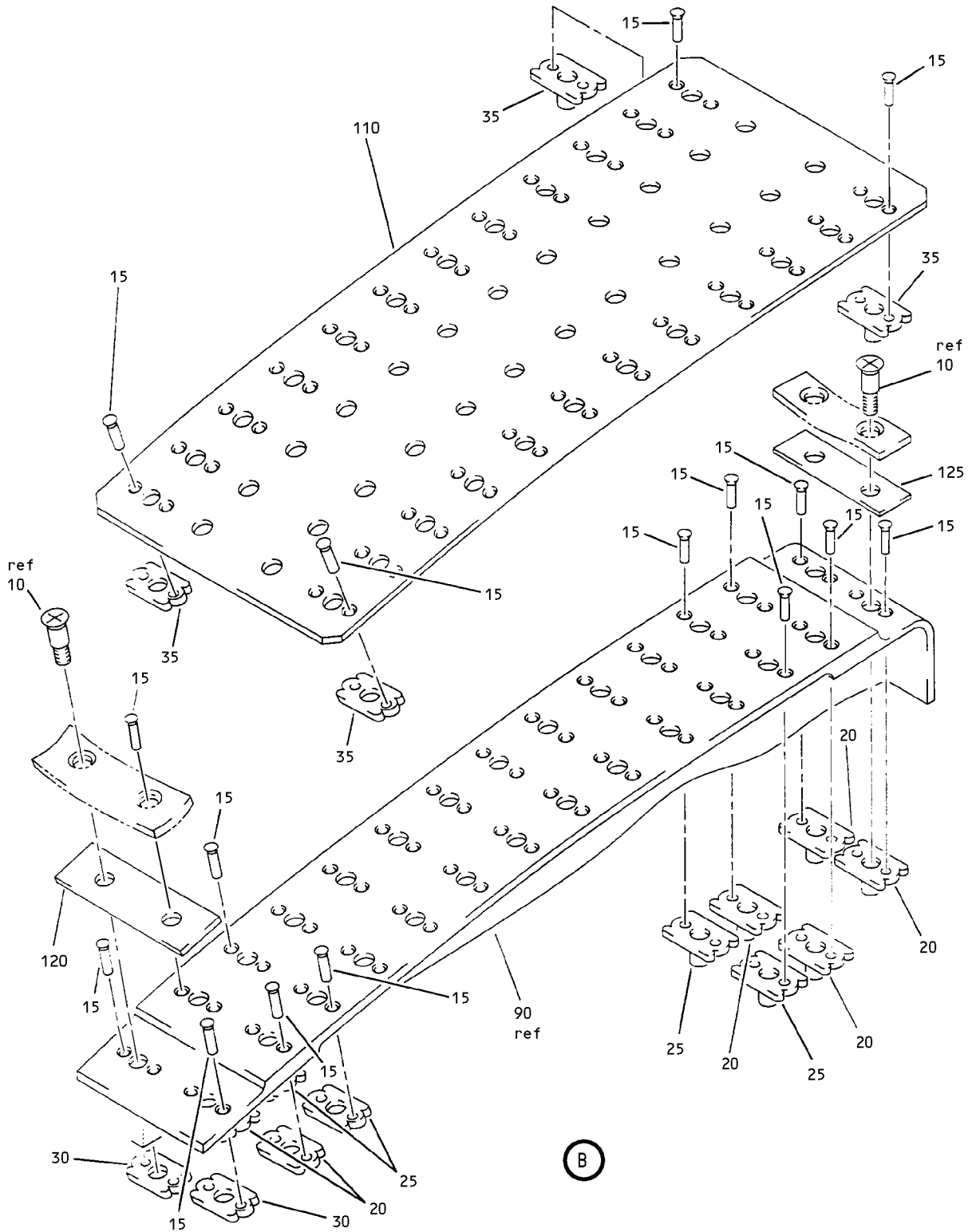
ILLUSTRATED PARTS LIST
01.1 Page 1064G
Nov 01/04



Splice Rib Installation
 Figure 9 (Sheet 2)

57-53-51

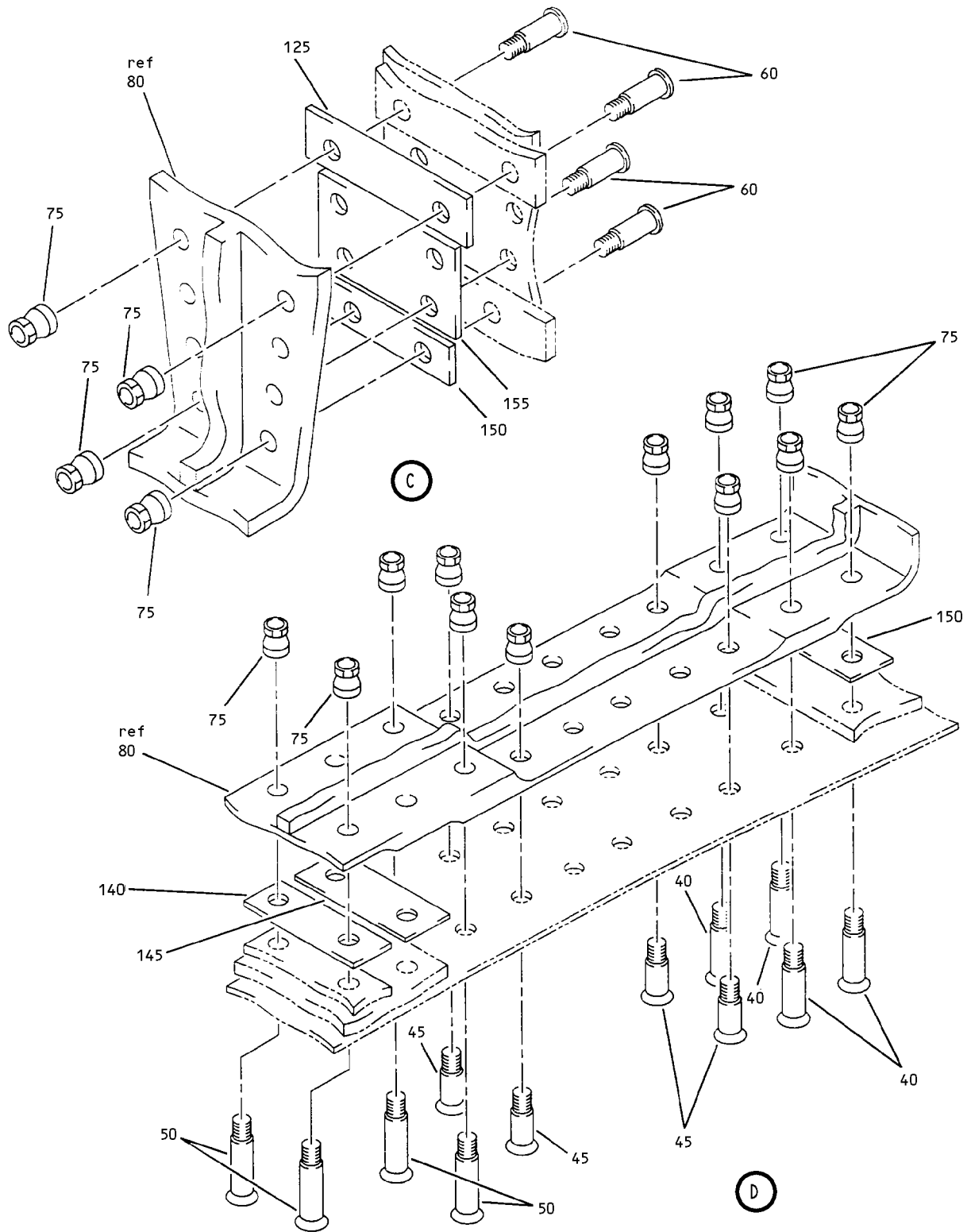
ILLUSTRATED PARTS LIST
 01.1 Page 1064H
 Nov 01/04



Splice Rib Installation
Figure 9 (Sheet 3)

57-53-51

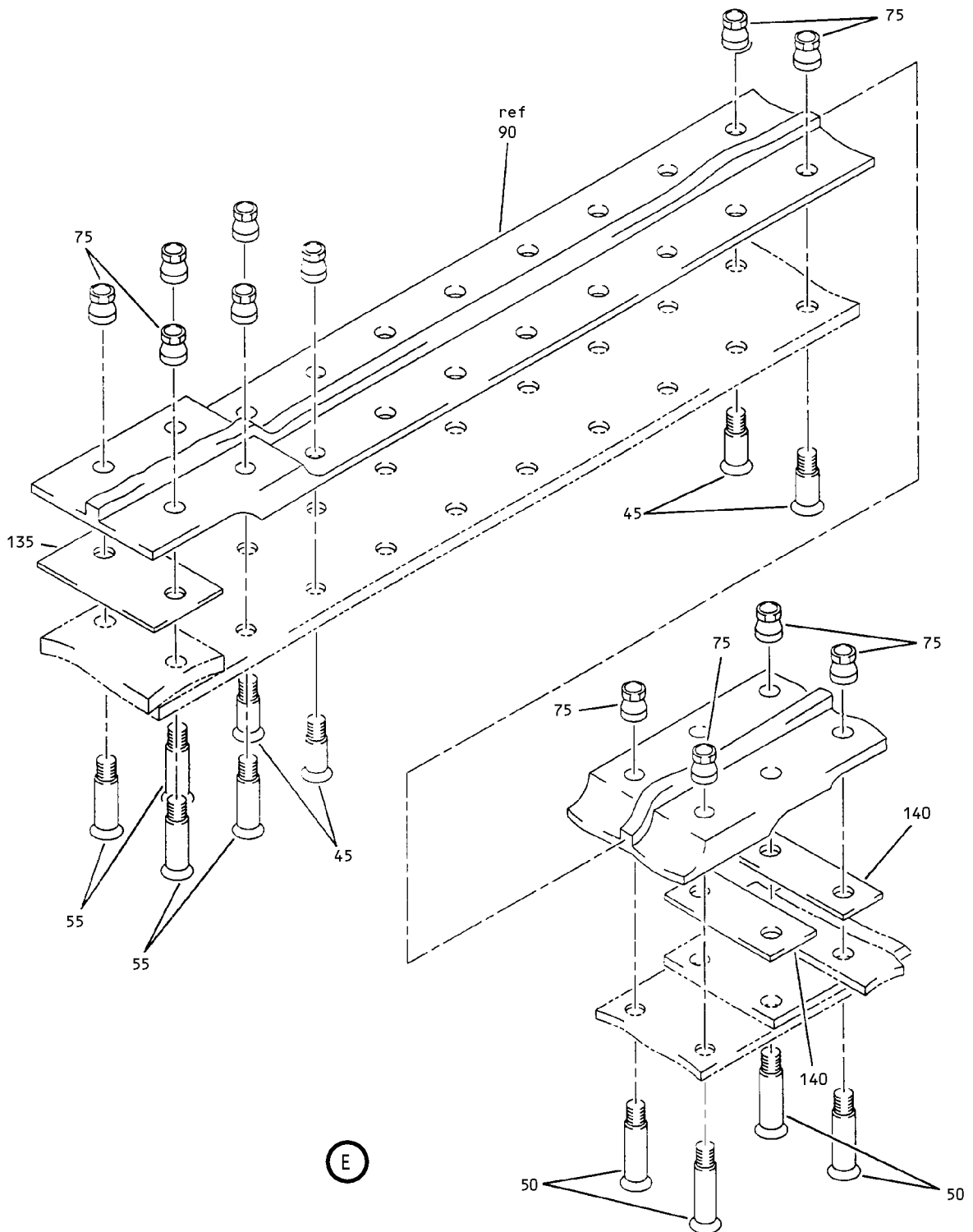
ILLUSTRATED PARTS LIST
01.1 Page 1064I
Nov 01/04



Splice Rib Installation
Figure 9 (Sheet 4)

57-53-51

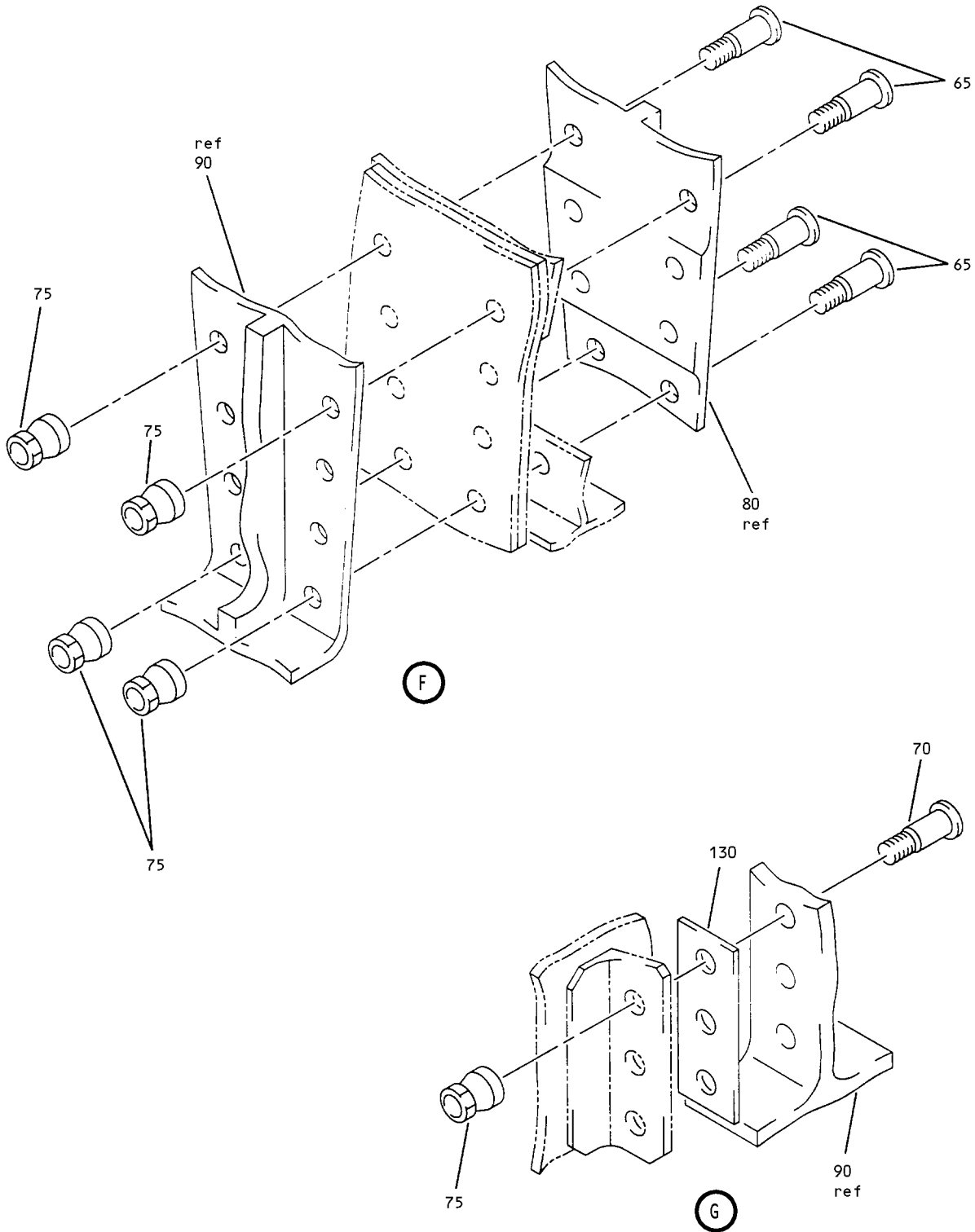
ILLUSTRATED PARTS LIST
01.1 Page 1064J
Nov 01/04



Splice Rib Installation
Figure 9 (Sheet 5)

57-53-51

ILLUSTRATED PARTS LIST
01.1 Page 1064K
Nov 01/04



Splice Rib Installation
Figure 9 (Sheet 6)

57-53-51

ILLUSTRATED PARTS LIST
01.1 Page 1064L
Nov 01/04


BOEING
 COMPONENT
 MAINTENANCE MANUAL

FIG. & ITEM	PART NO.	AIRLINE PART NUMBER	NOMENCLATURE 1234567	EFF CODE	QTY PER ASSY
09-					
-1A	113T3163-401		RIB INSTL-SPLICE	AK, BB	RF
-5	113T3163-402		RIB INSTL-SPLICE	AM, BC	RF
10	BACB30NN3K8		.BOLT	AK, AM , BB, B C	88
15	BACR15BA3AD		.RIVET- (SIZE DETERMINE ON INST)	AK, AM , BB, B C	176
20	MF19058-3-2BAC		.NUTPLATE- (V15653) (SPEC BACN10YF32)	AK, AM , BB, B C	14
25	MF19058-3-4BAC		.NUTPLATE- (V15653) (SPEC BACN10YF34)	AK, AM , BB, B C	32
30	MF19058-3-3BAC		.NUTPLATE- (V15653) (SPEC BACN10YF33)	AK, AM , BB, B C	2
35	MF19058-3-5BAC		.NUTPLATE- (V15653) (SPEC BACN10YF35)	AK, AM , BB, B C	40
40	WC331K6-6		.BOLT- (V60516) (SPEC BACB30YP6K6)	AK, AM , BB, B C	4
45	WC331K6-3		.BOLT- (V60516) (SPEC BACB30YP6K3)	AK, AM , BB, B C	26
50	WC331K6-7		.BOLT- (V60516) (SPEC BACB30YP6K7)	AK, AM , BB, B C	12

57-53-51

 ILLUSTRATED PARTS LIST
 01.1 Page 1064M
 Nov 01/04

FIG. & ITEM	PART NO.	AIRLINE PART NUMBER	NOMENCLATURE 1234567	EFF CODE	QTY PER ASSY
09-55	WC331K6-5		.BOLT- (V60516) (SPEC BACB30YP6K5)	AK,AM ,BB,B C	4
60	HST10AG6-5		.BOLT- (VOPTK6) (SPEC BACB30VT6K5) (OPT HST10AG6-5 (V06725)) (OPT HST10AG6-5 (V56878)) (OPT HST10AG6-5 (V73197))	AK,AM ,BB,B C	8
65	HST10AG6-6		.BOLT- (VOPTK6) (SPEC BACB30VT6K6) (OPT HST10AG6-6 (V06725)) (OPT HST10AG6-6 (V56878)) (OPT HST10AG6-6 (V73197))	AK,AM ,BB,B C	8
70	HST10AG6-4		.BOLT- (V06725) (SPEC BACB30VT6K4) (OPT HST10AG6-4 (V73197)) (OPT HST10AG6-4 (V56878)) (OPT HST10AG6-4 (VOPTK6))	AK,AM ,BB,B C	3

57-53-51

 ILLUSTRATED PARTS LIST
 01.1 Page 1064N
 Nov 01/04


BOEING
 COMPONENT
 MAINTENANCE MANUAL

FIG. & ITEM	PART NO.	AIRLINE PART NUMBER	NOMENCLATURE 1234567	EFF CODE	QTY PER ASSY
09-75	HST79CY6		.COLLAR- (V73197) (SPEC BACC30BL6) (OPT HST79-6 (V92215)) (OPT HST79CY6 (V56878)) (OPT HST79CY6 (V5M902))	AK,AM ,BB,B C	65
80	113T3180-1		.RIB	AK,BB	1
-85	113T3180-2		.RIB	AM,BC	1
90	113T3179-401		.RIB	AK,BB	1
-95	113T3179-402		.RIB	AM,BC	1
100	113T3181-3		.DOUBLER	AK,BB	1
-105	113T3181-4		.DOUBLER	AM,BC	1
110	113T3181-1		.DOUBLER	AK,BB	1
-115	113T3181-2		.DOUBLER	AM,BC	1
120	BACS40R009B027F		.SHIM	AK,AM ,BB,B C	2
125	BACS40R008B027F		.SHIM	AK,AM ,BB,B C	3
130	BACS40R008C020F		.SHIM	AK,AM ,BB,B C	1
135	BACS40R009B019F		.SHIM	AK,AM ,BB,B C	1
140	BACS40R008B018F		.SHIM	AK,AM ,BB,B C	3
145	BACS40R007B018F		.SHIM	AK,AM ,BB,B C	1
150	BACS40R008B019F		.SHIM	AK,AM ,BB,B C	2
155	BACS40R015E025F		.SHIM	AK,AM ,BB,B C	1

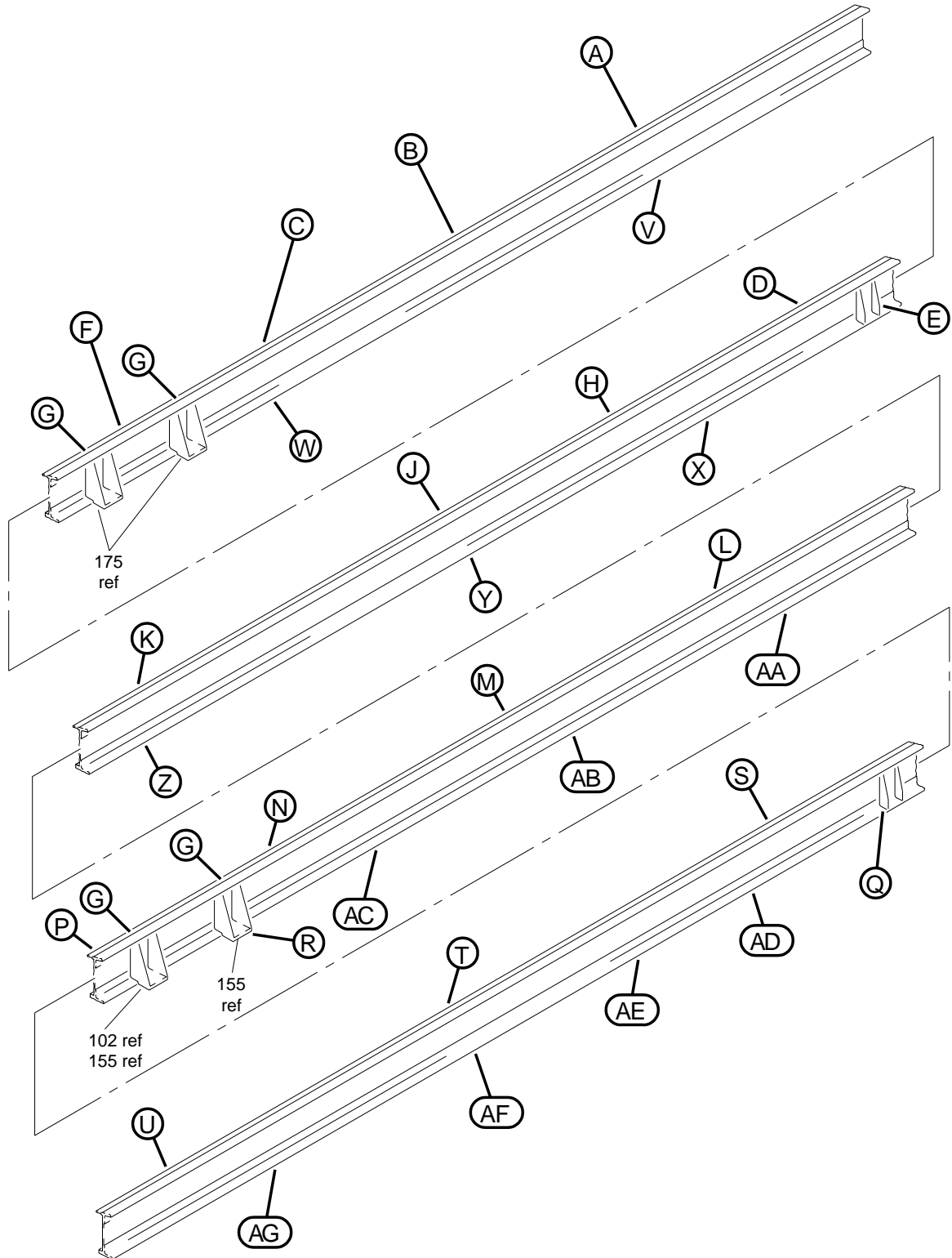
- Item Not Illustrated

57-53-51

ILLUSTRATED PARTS LIST

01.1 Page 10640

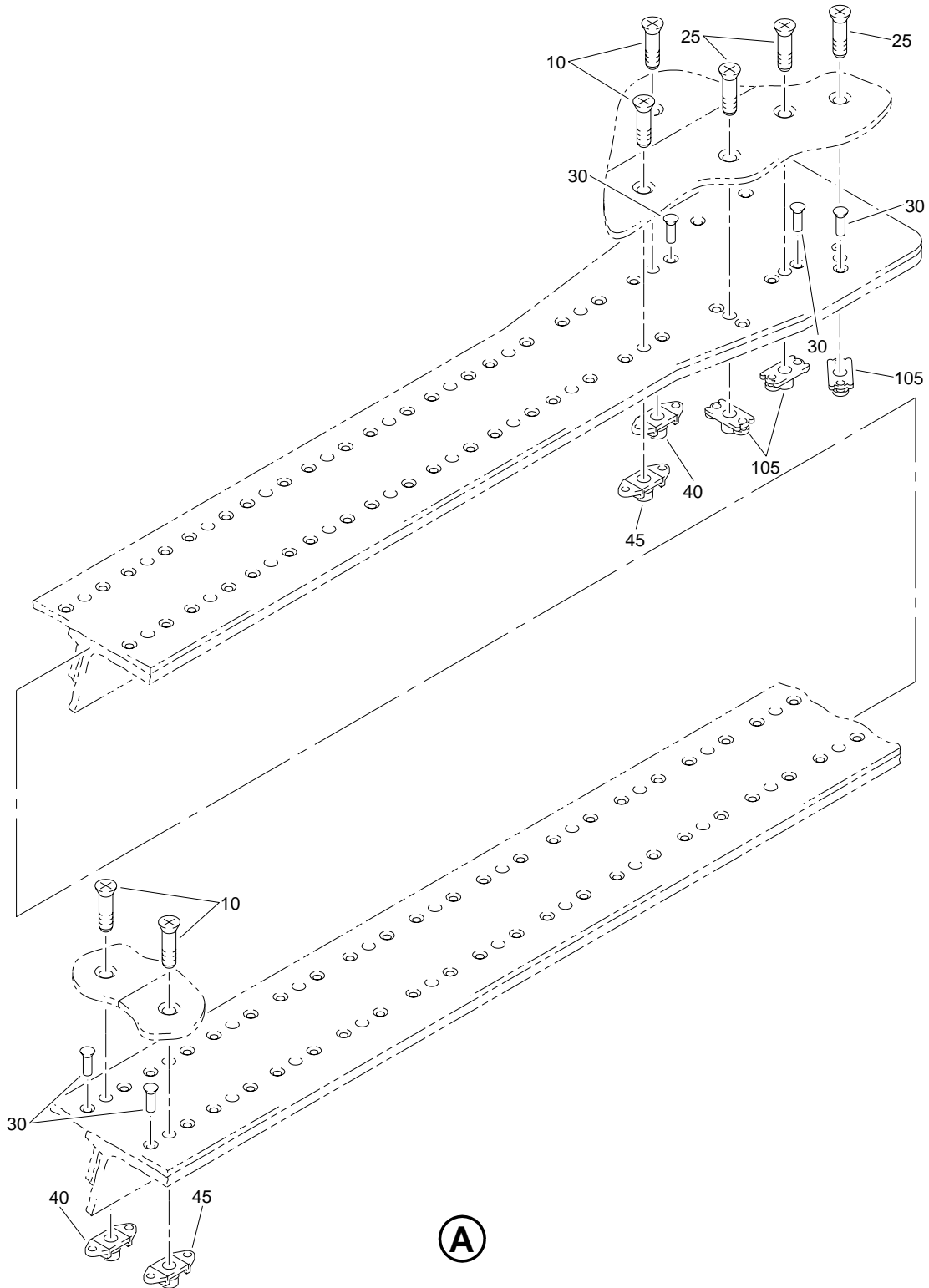
Nov 01/04



Front Spar Installation
 Figure 10 (Sheet 1)

57-53-51

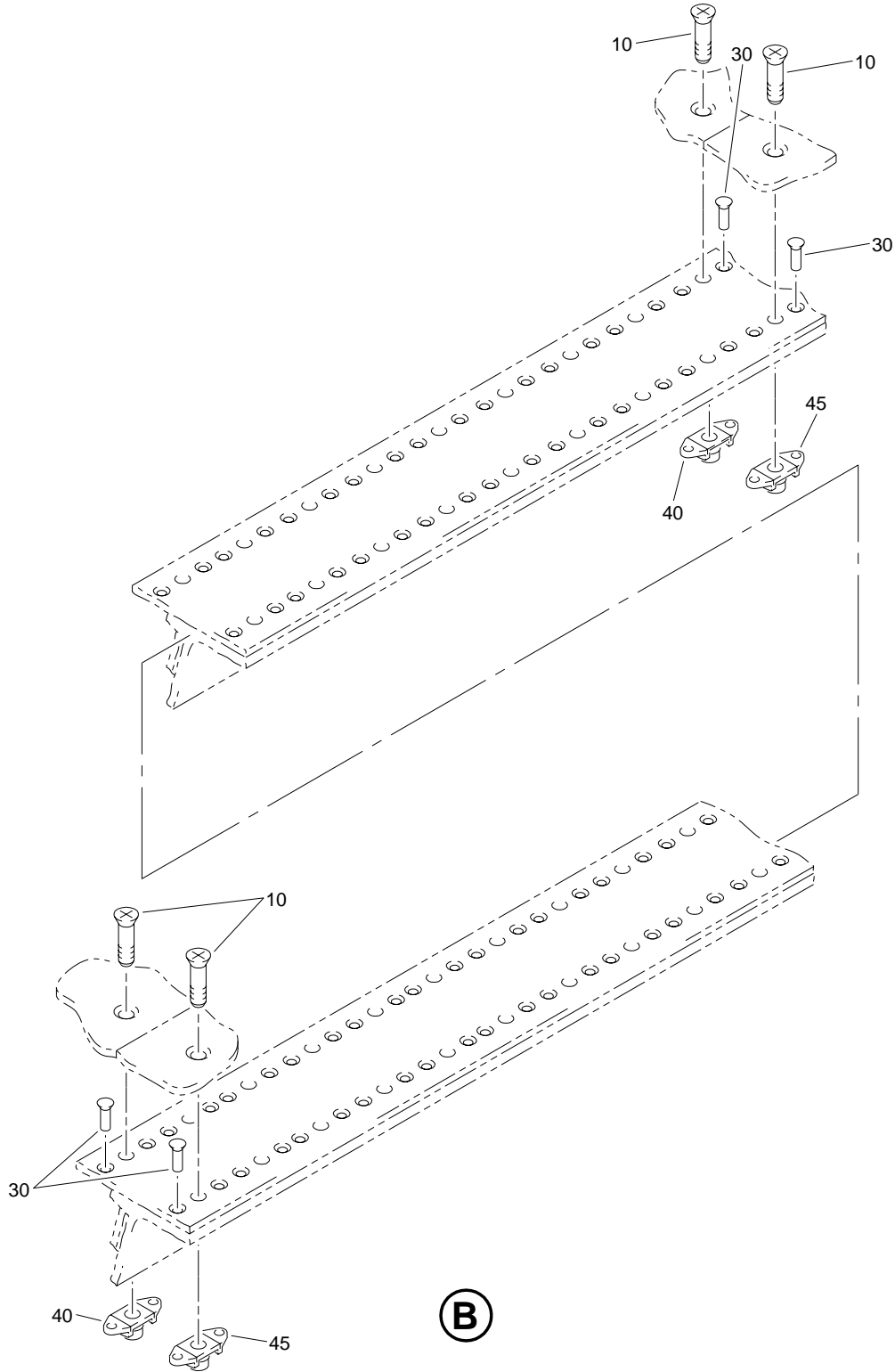
ILLUSTRATED PARTS LIST
 01.1 Page 1064Q
 Nov 01/04



Front Spar Installation
Figure 10 (Sheet 2)

57-53-51

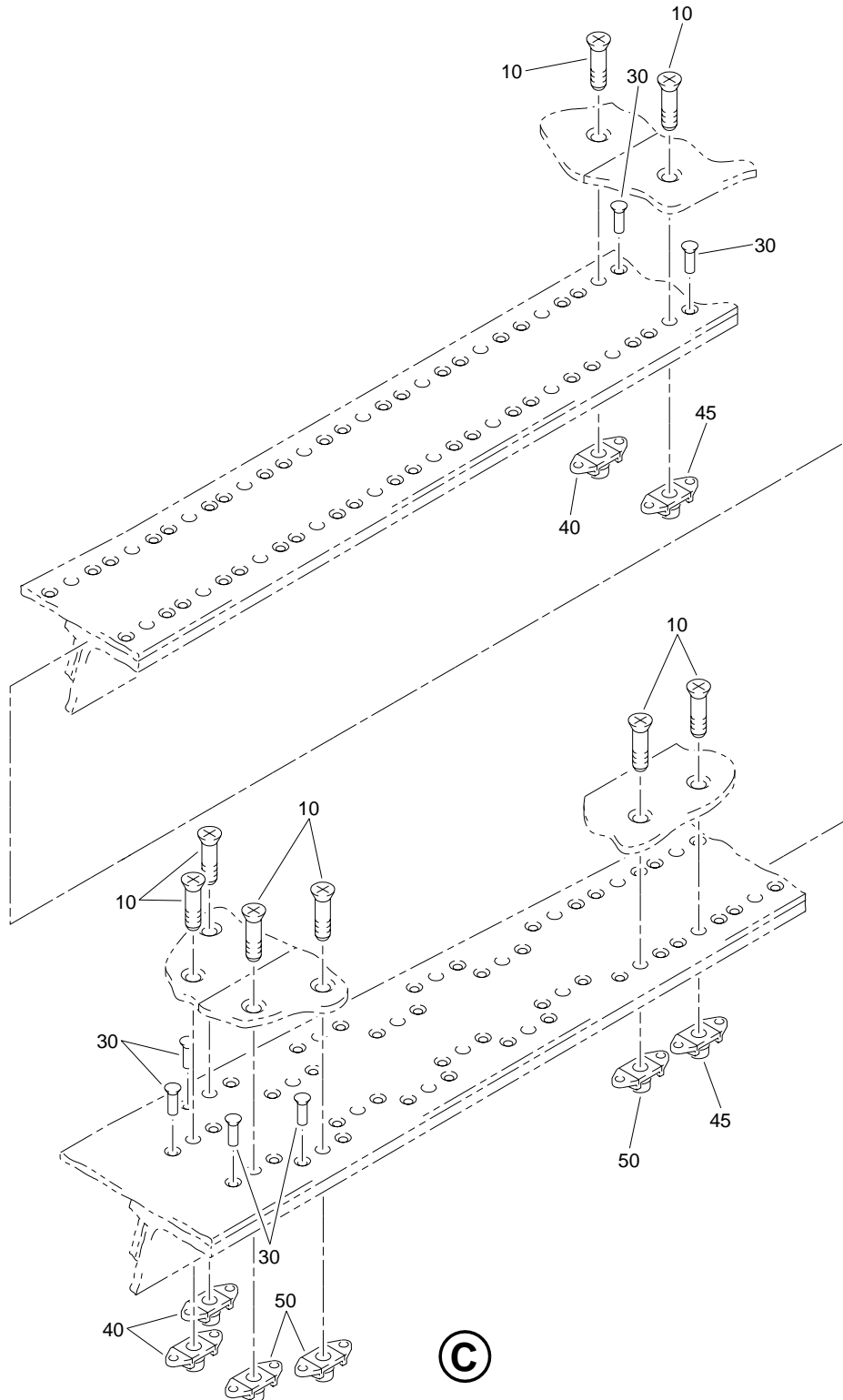
ILLUSTRATED PARTS LIST
01.1 Page 1064R
Nov 01/04



Front Spar Installation
Figure 10 (Sheet 3)

57-53-51

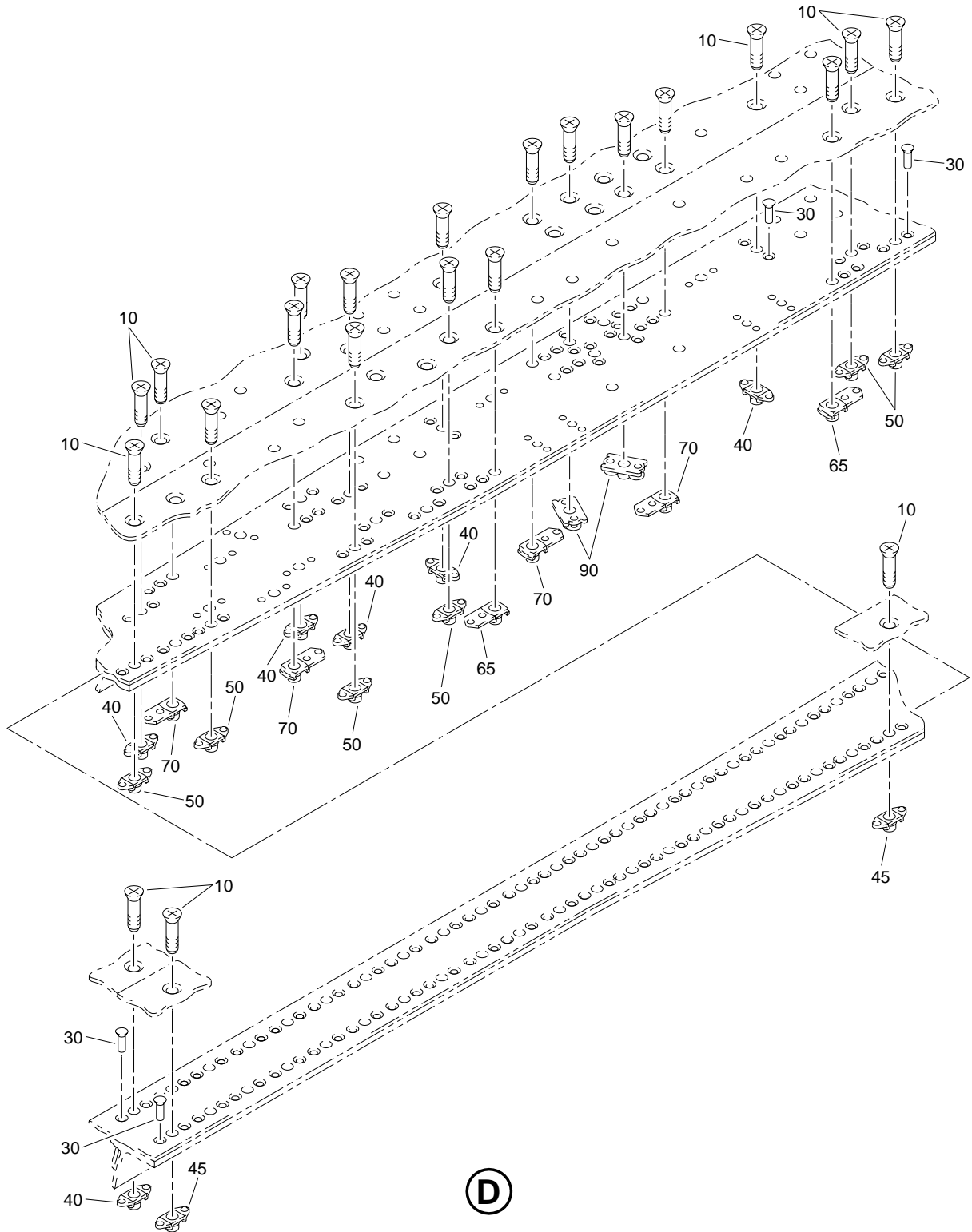
ILLUSTRATED PARTS LIST
01.1 Page 1064S
Nov 01/04



Front Spar Installation
Figure 10 (Sheet 4)

57-53-51

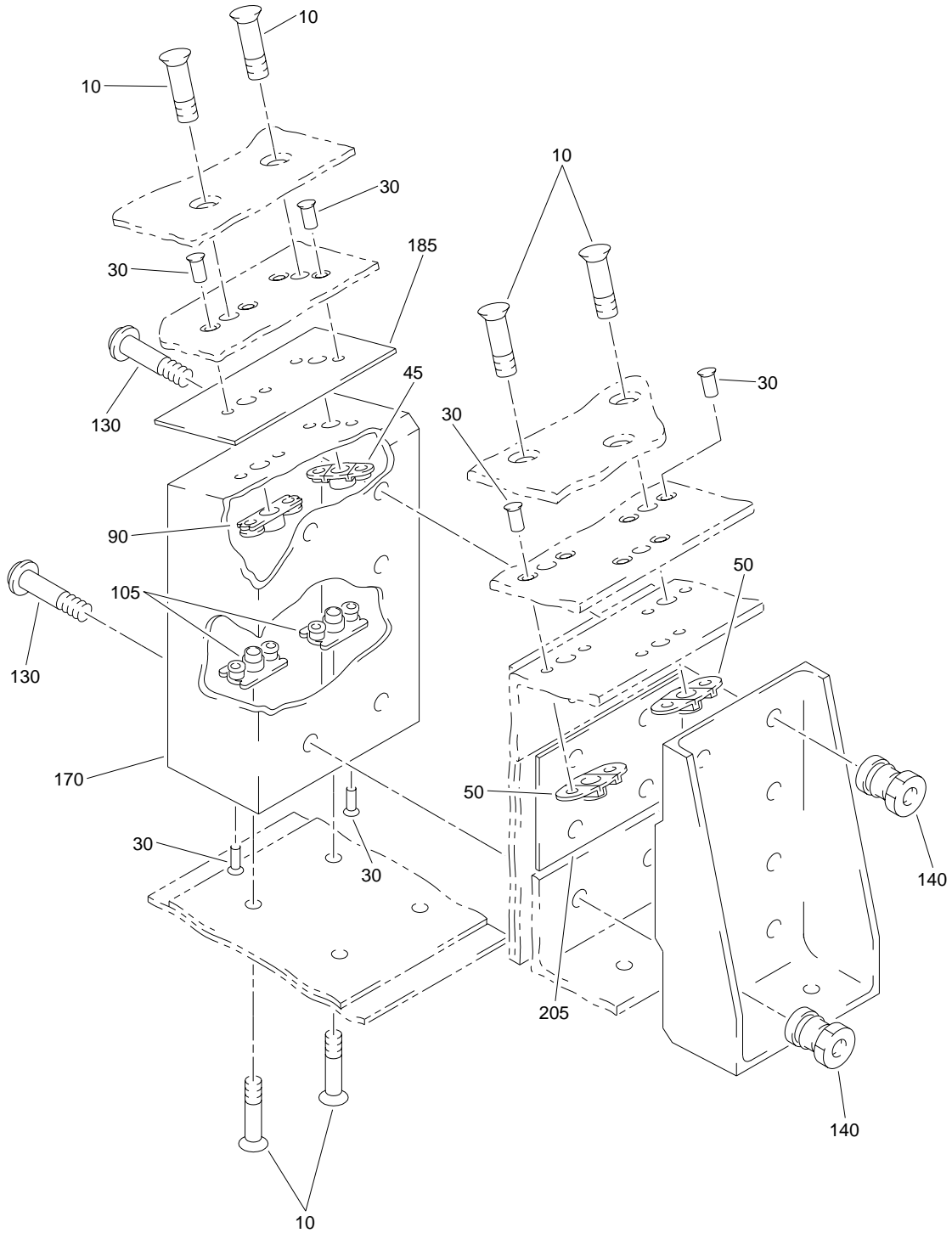
ILLUSTRATED PARTS LIST
01.1 Page 1064T
Nov 01/04



Front Spar Installation
Figure 10 (Sheet 5)

57-53-51

ILLUSTRATED PARTS LIST
01.1 Page 1064U
Nov 01/04

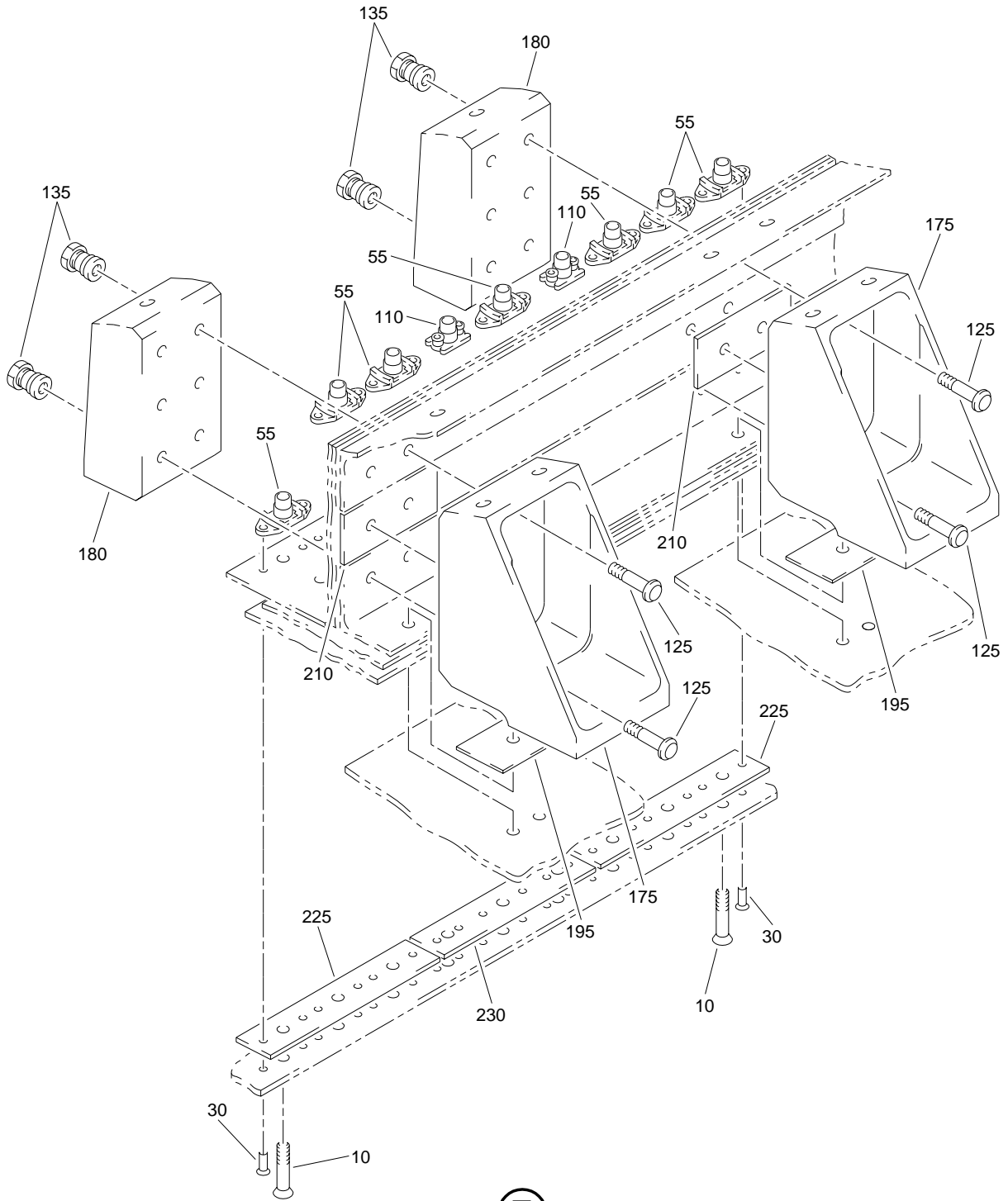


(E)

Front Spar Installation
Figure 10 (Sheet 6)

57-53-51

ILLUSTRATED PARTS LIST
01.1 Page 1064V
Nov 01/04

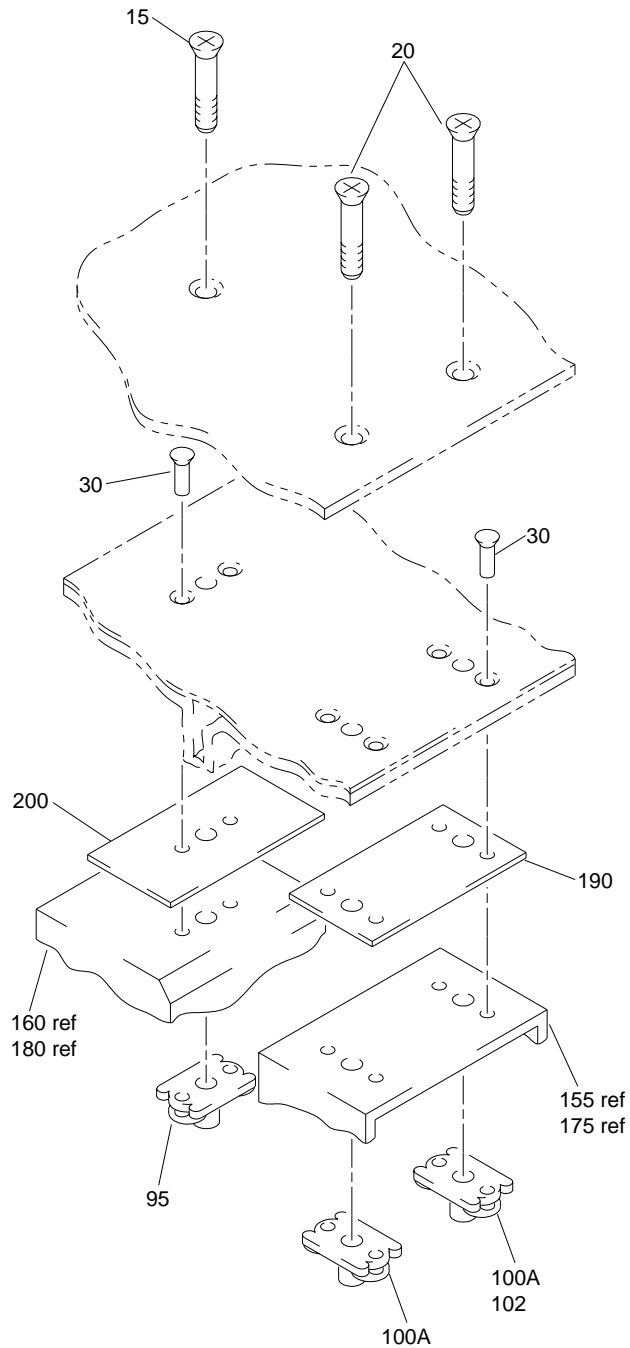


F

Front Spar Installation
 Figure 10 (Sheet 7)

57-53-51

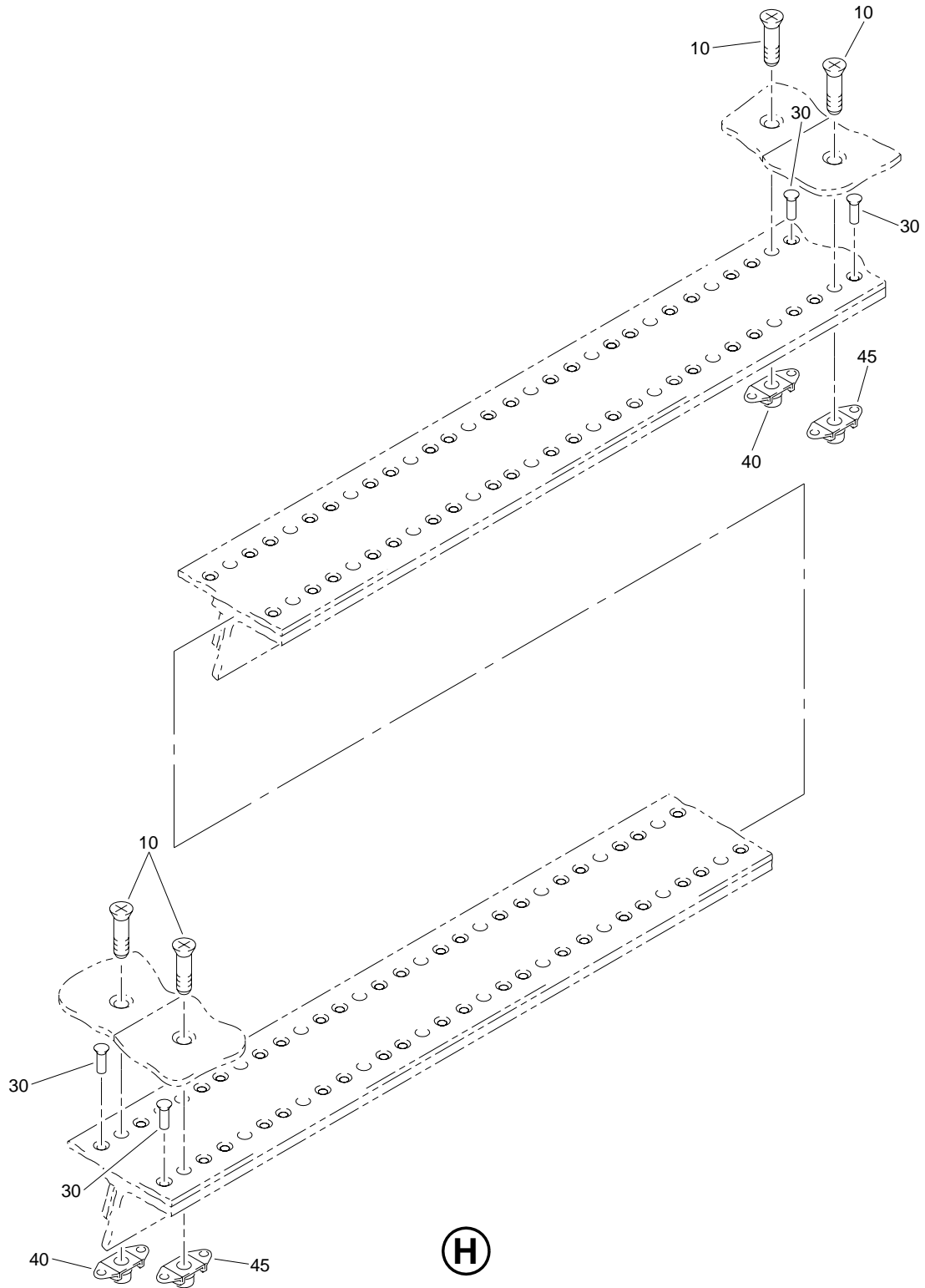
ILLUSTRATED PARTS LIST
 01.1 Page 1064W
 Nov 01/04



Front Spar Installation
Figure 10 (Sheet 8)

57-53-51

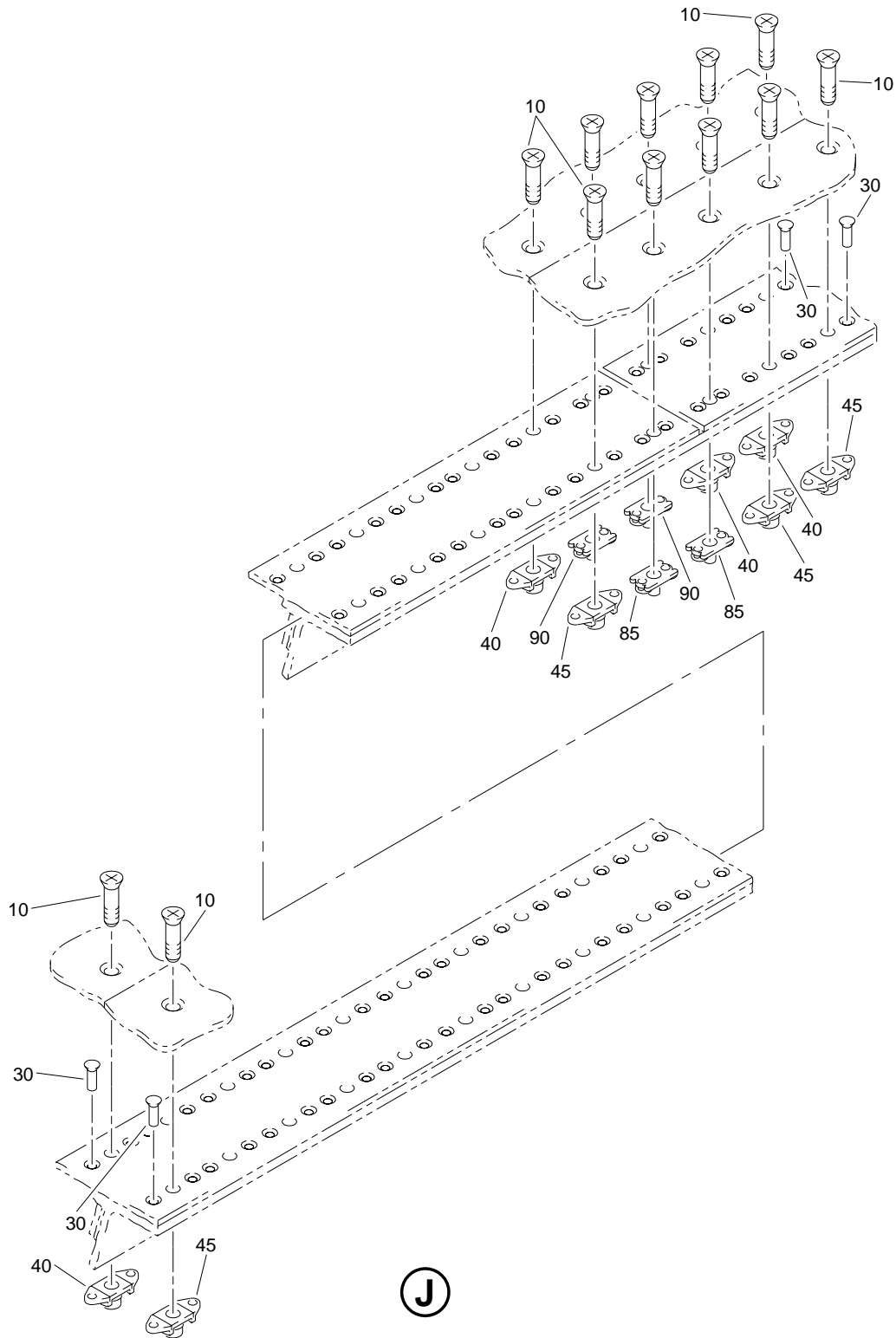
ILLUSTRATED PARTS LIST
01.1 Page 1064X
Nov 01/04



Front Spar Installation
Figure 10 (Sheet 9)

57-53-51

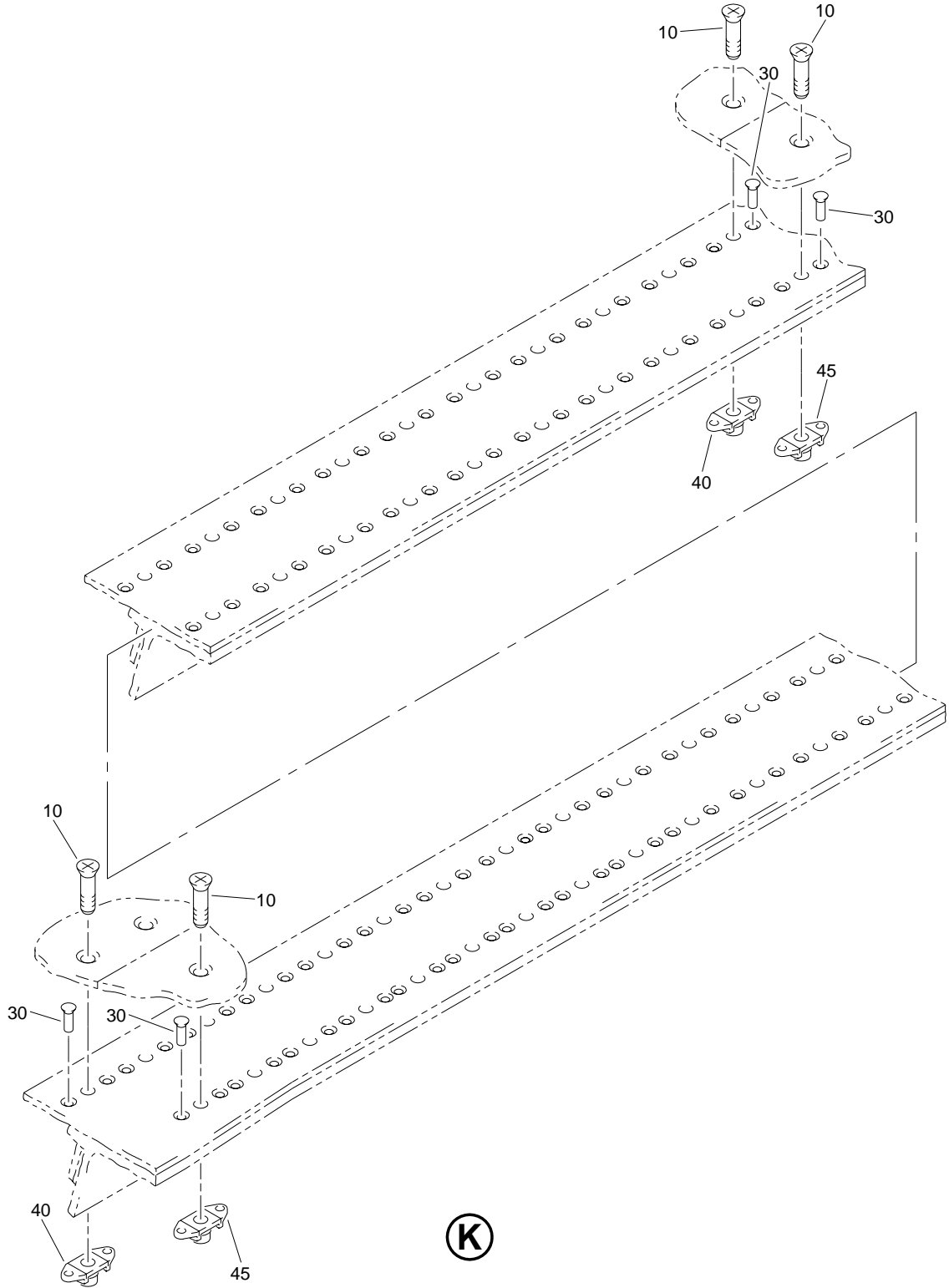
ILLUSTRATED PARTS LIST
01.1 Page 1064Y
Nov 01/04



Front Spar Installation
Figure 10 (Sheet 10)

57-53-51

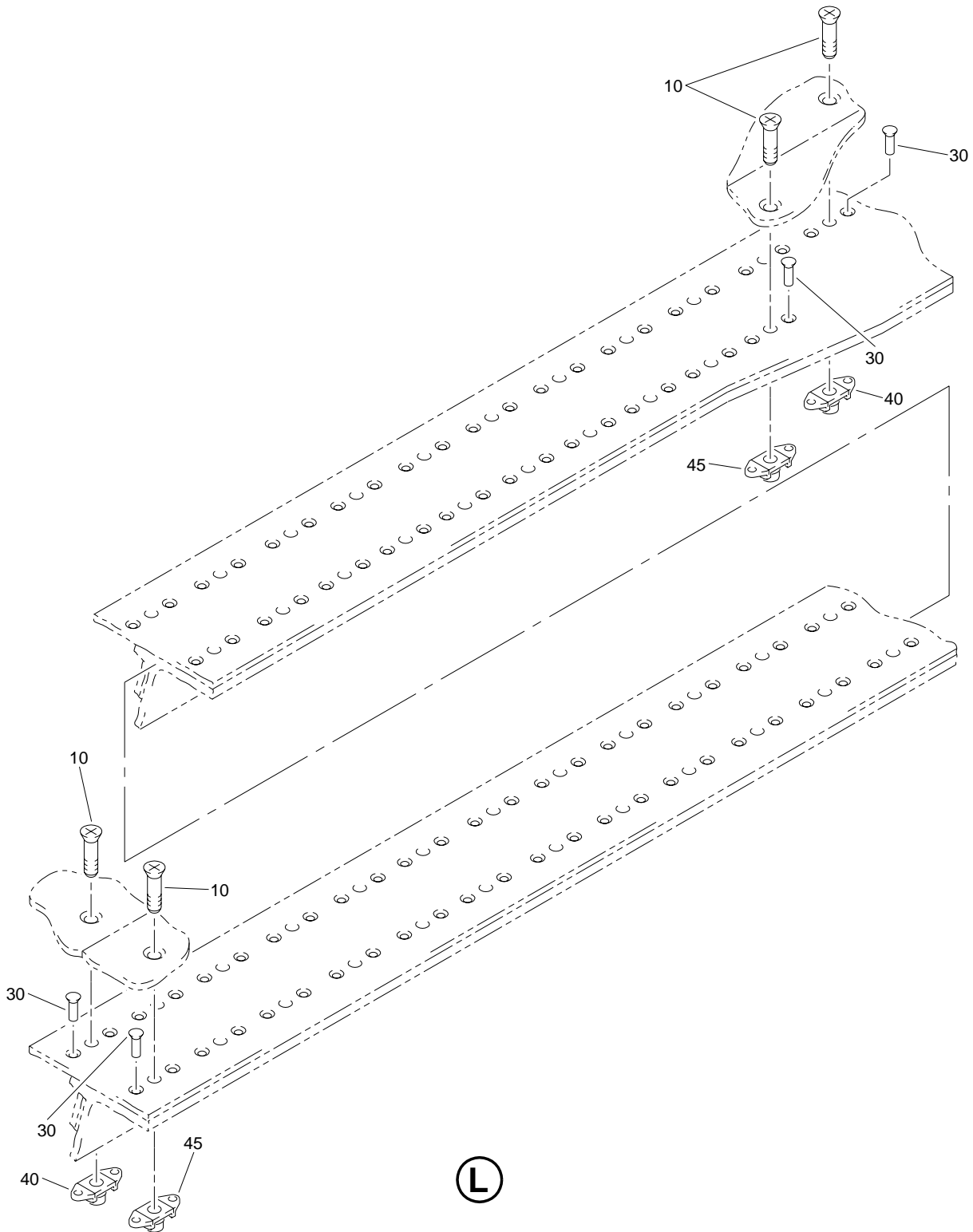
ILLUSTRATED PARTS LIST
01.1 Page 1064Z
Nov 01/04



Front Spar Installation
Figure 10 (Sheet 11)

57-53-51

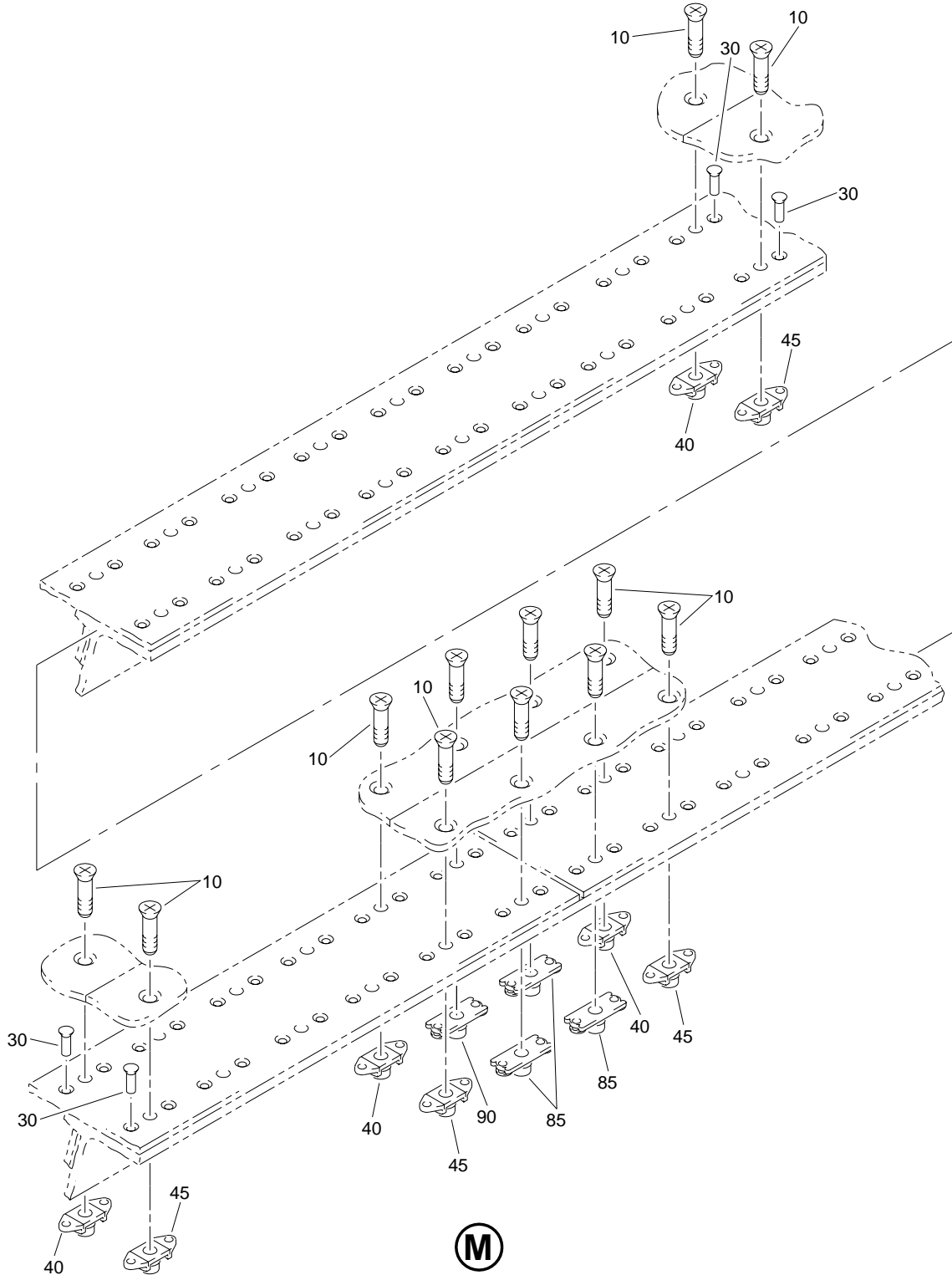
ILLUSTRATED PARTS LIST
01.1 Page 1065
Nov 01/04



Front Spar Installation
Figure 10 (Sheet 12)

57-53-51

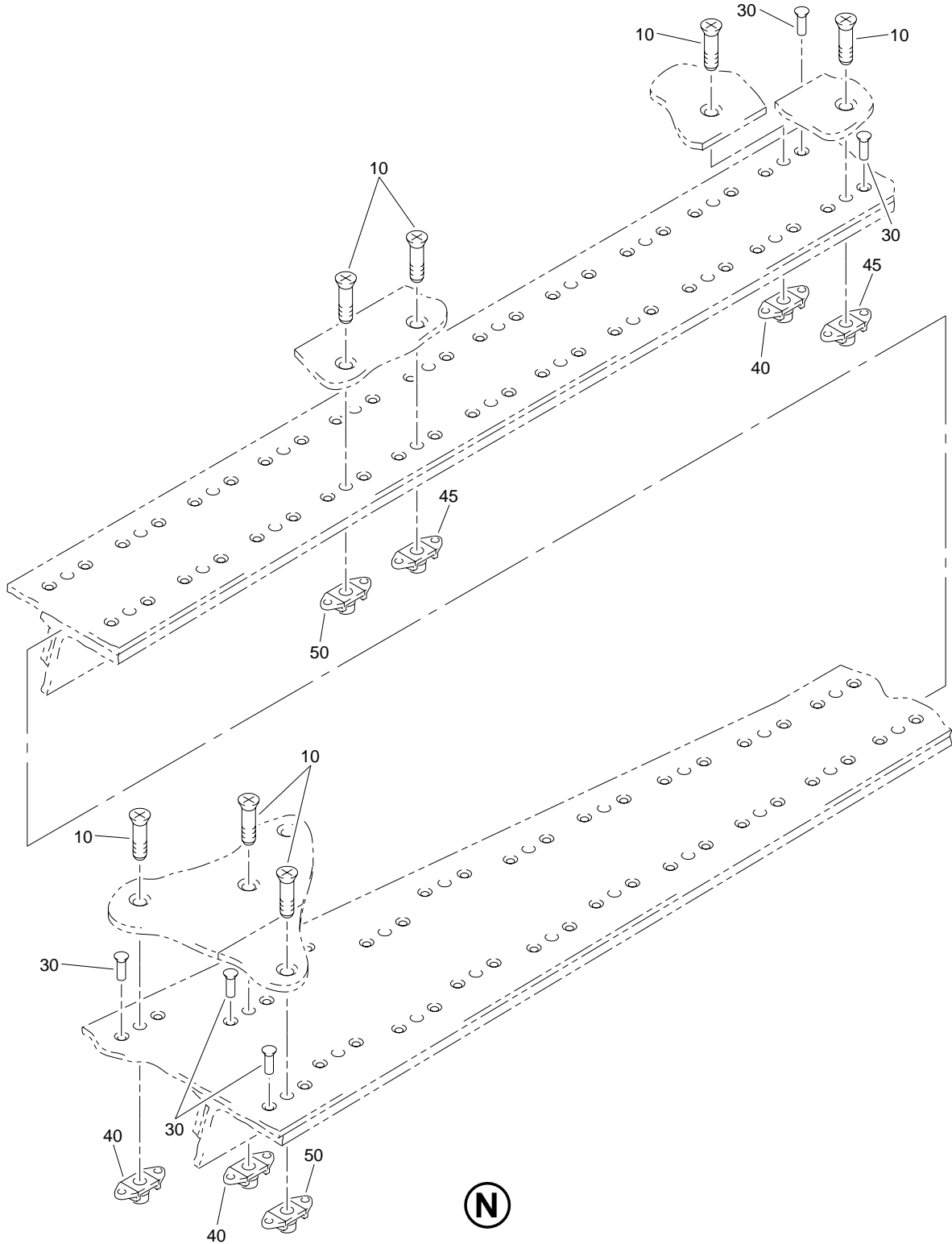
ILLUSTRATED PARTS LIST
01.1 Page 1066
Nov 01/04



Front Spar Installation
Figure 10 (Sheet 13)

57-53-51

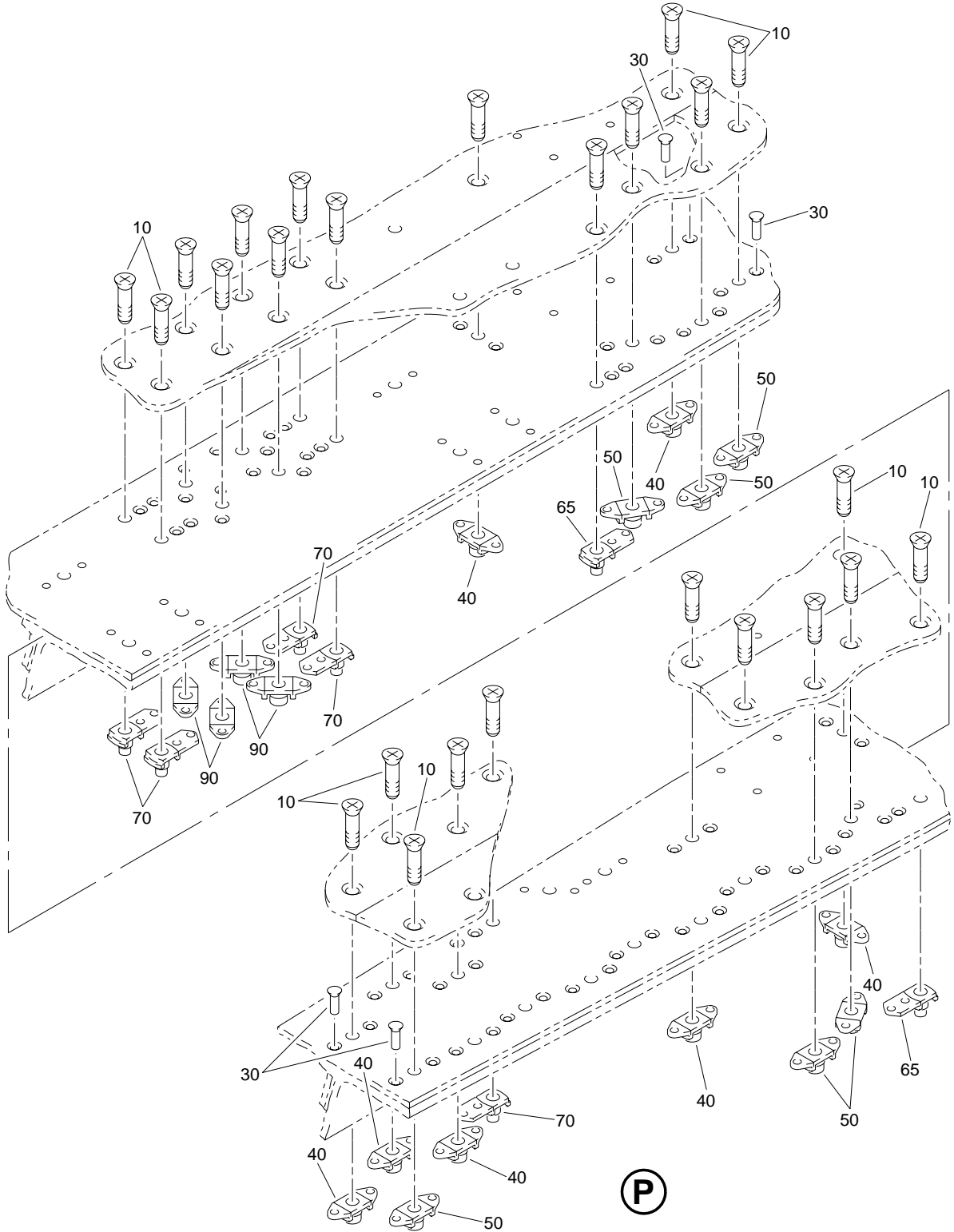
ILLUSTRATED PARTS LIST
01.1 Page 1066A
Nov 01/04



Front Spar Installation
Figure 10 (Sheet 14)

57-53-51

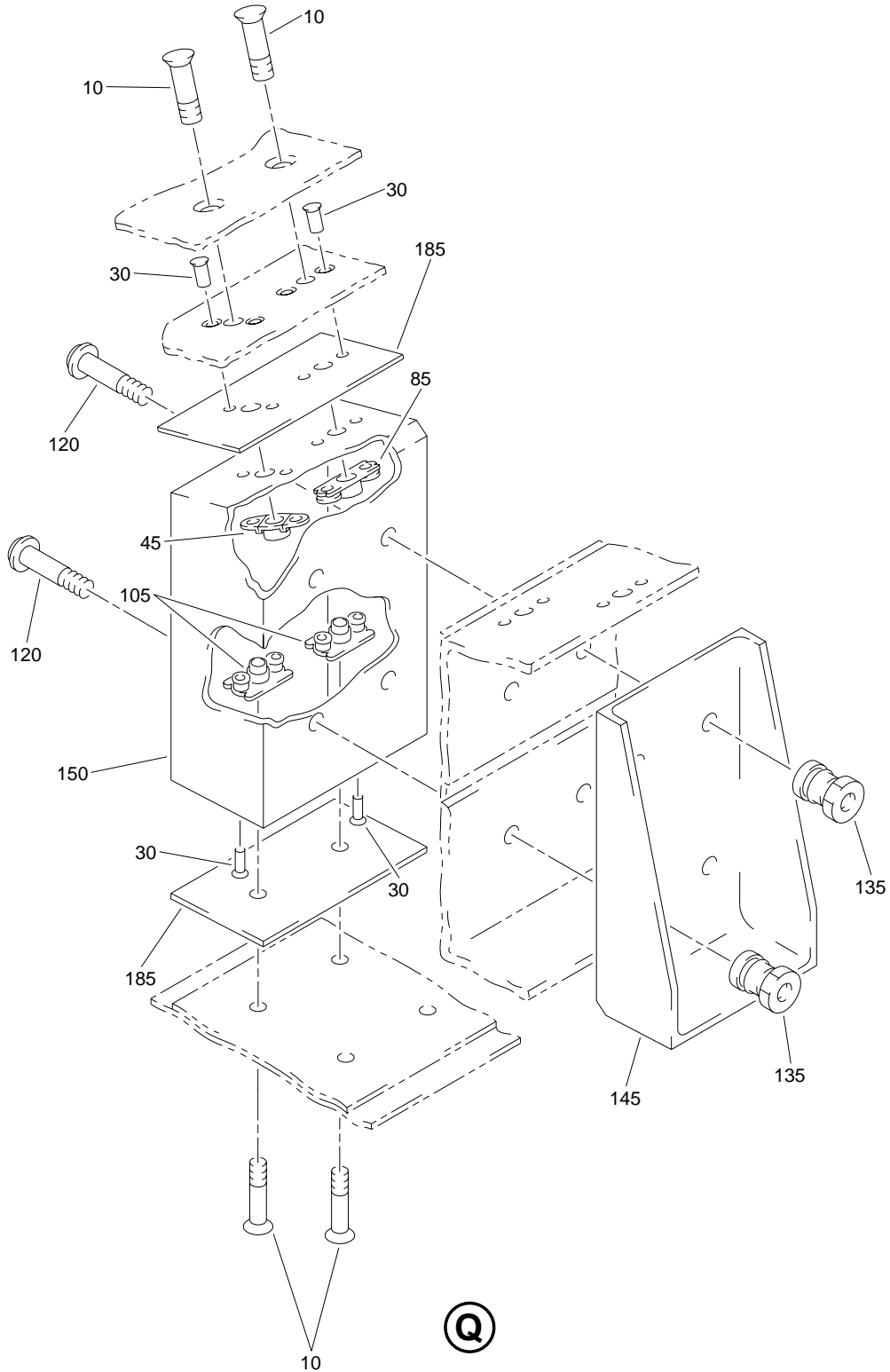
ILLUSTRATED PARTS LIST
01.1 Page 1066B
Nov 01/04



Front Spar Installation
Figure 10 (Sheet 15)

57-53-51

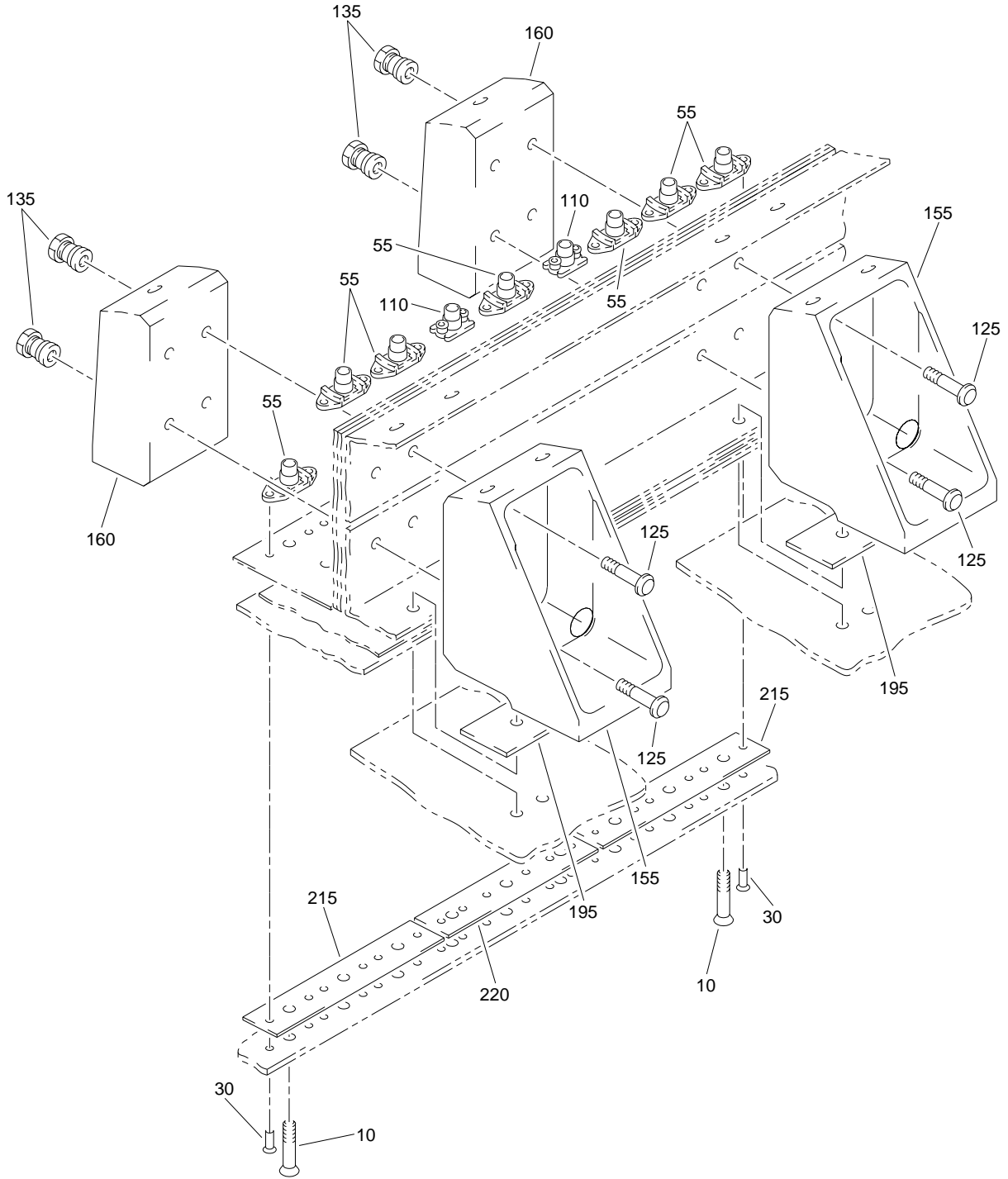
ILLUSTRATED PARTS LIST
01.1 Page 1066C
Nov 01/04



Front Spar Installation
Figure 10 (Sheet 16)

57-53-51

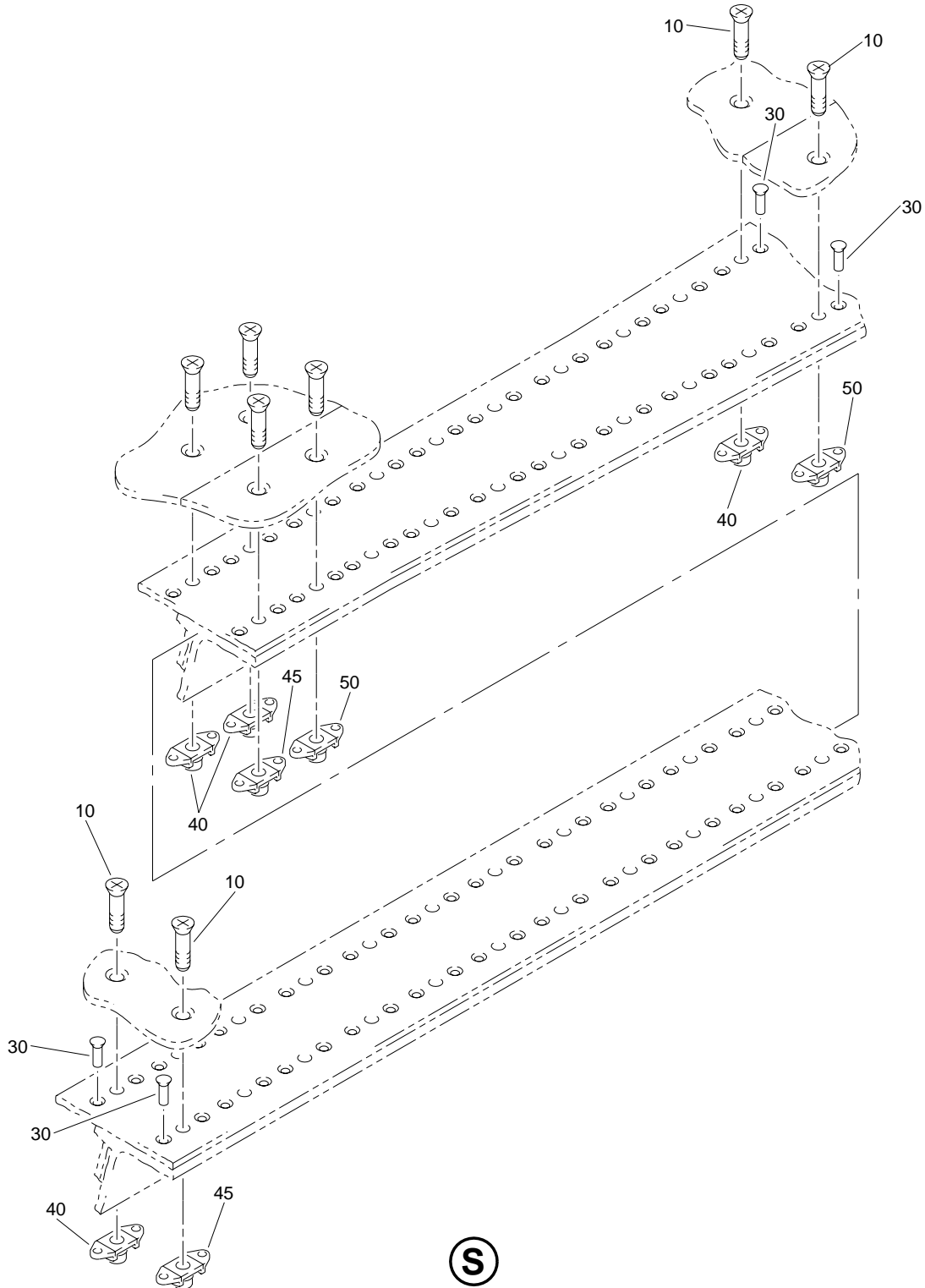
ILLUSTRATED PARTS LIST
01.1 Page 1066D
Nov 01/04



Front Spar Installation
Figure 10 (Sheet 17)

57-53-51

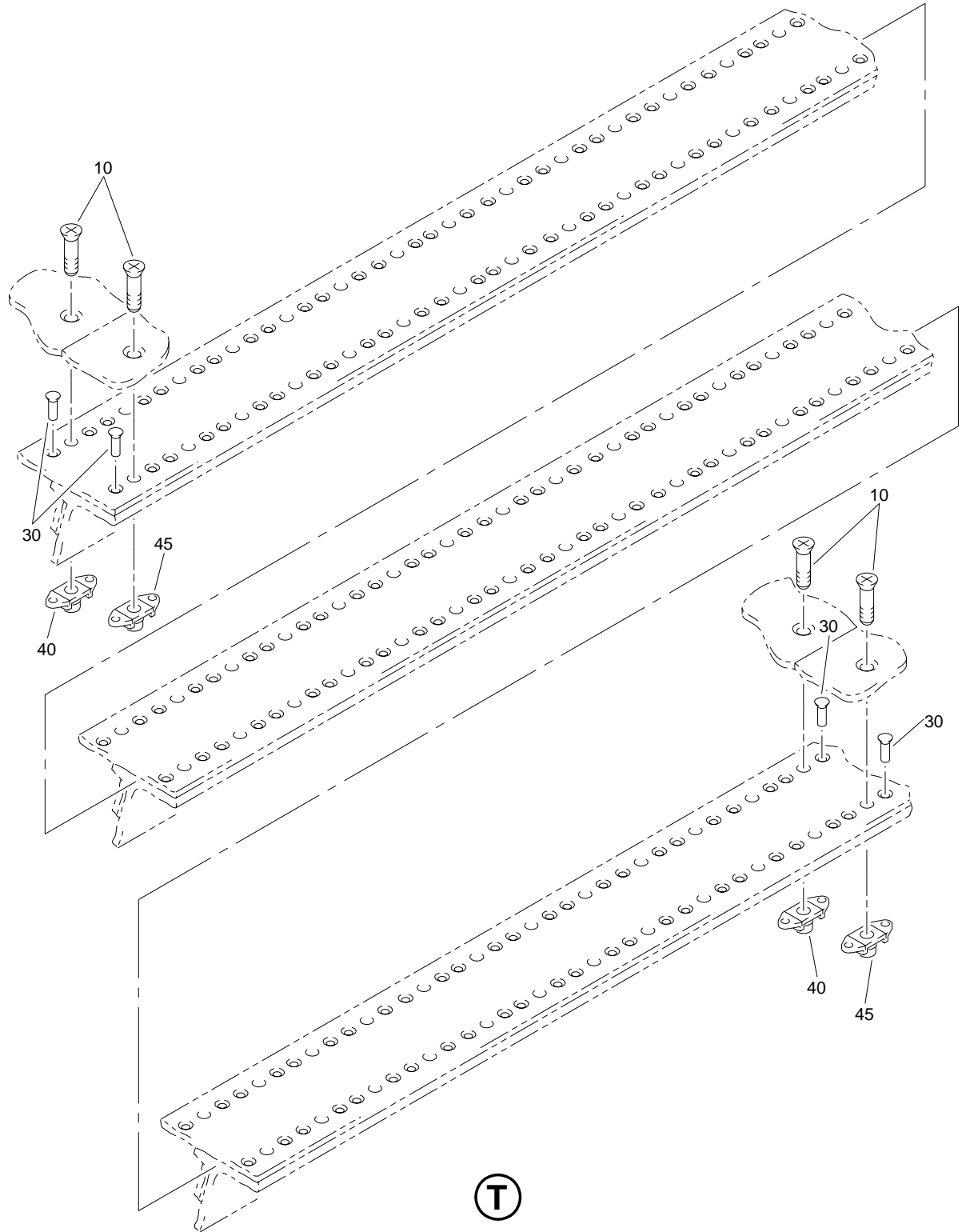
ILLUSTRATED PARTS LIST
01.1 Page 1066E
Nov 01/04



Front Spar Installation
Figure 10 (Sheet 18)

57-53-51

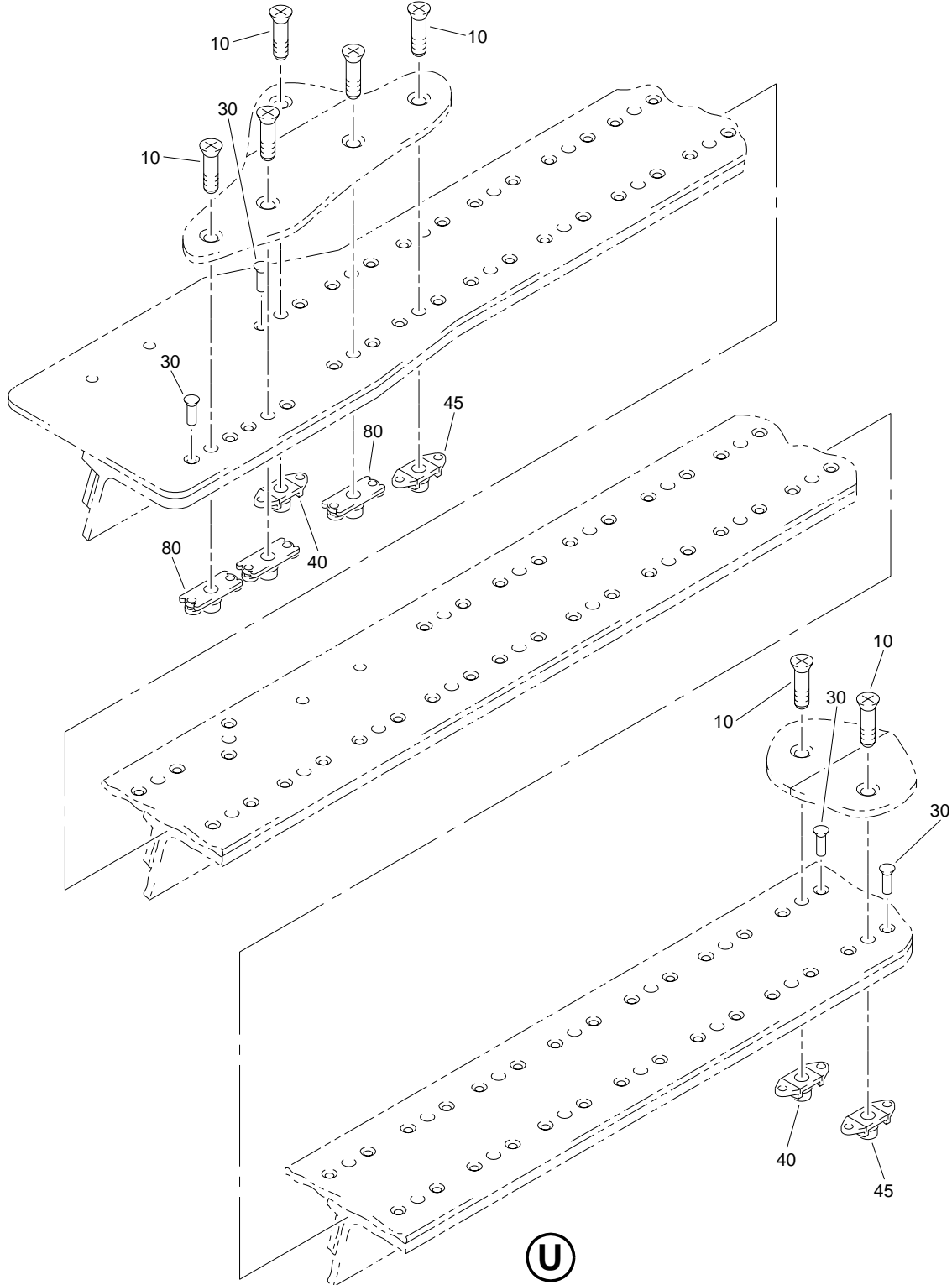
ILLUSTRATED PARTS LIST
01.1 Page 1066F
Nov 01/04



Front Spar Installation
Figure 10 (Sheet 19)

57-53-51

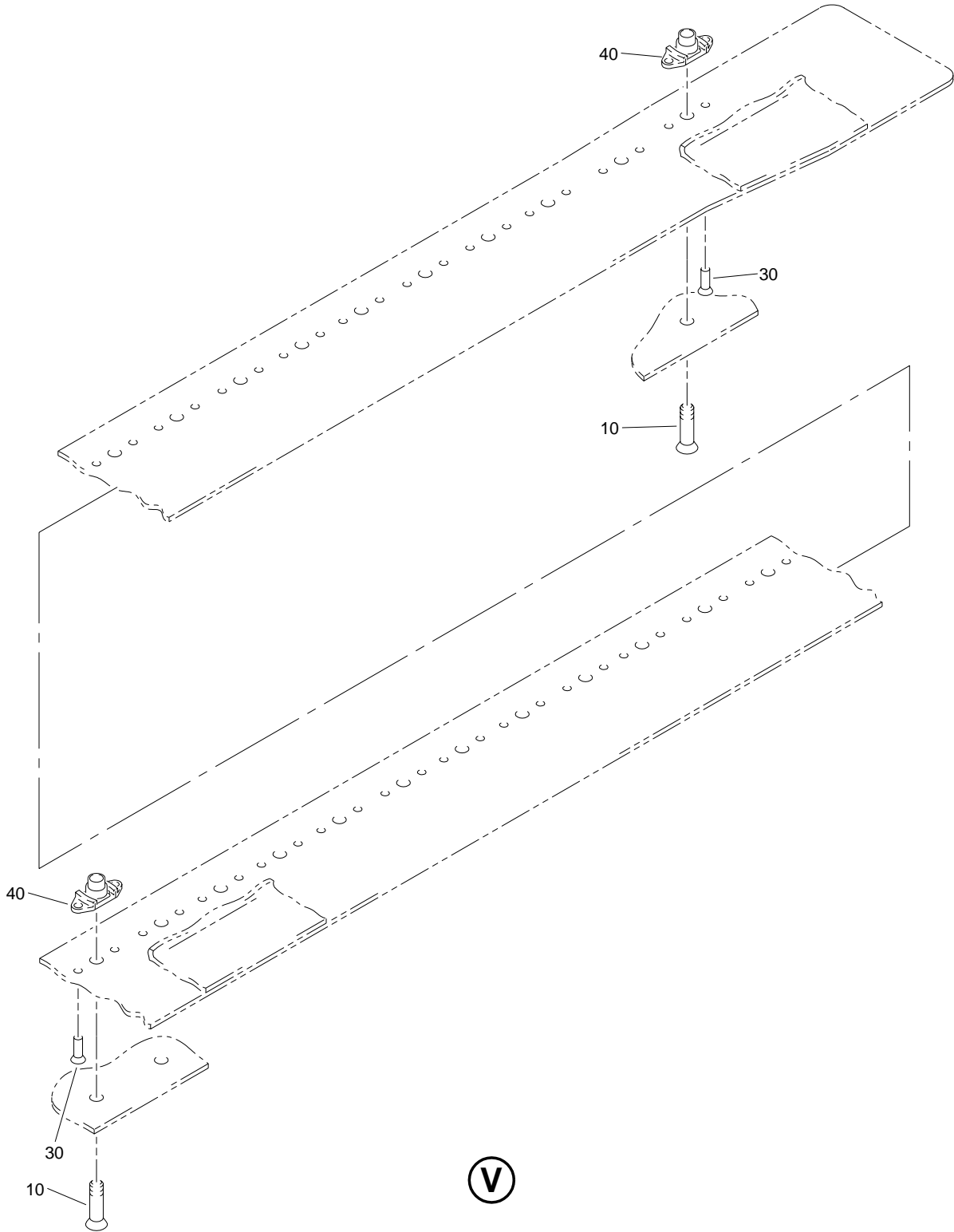
ILLUSTRATED PARTS LIST
01.1 Page 1066G
Nov 01/04



Front Spar Installation
Figure 10 (Sheet 20)

57-53-51

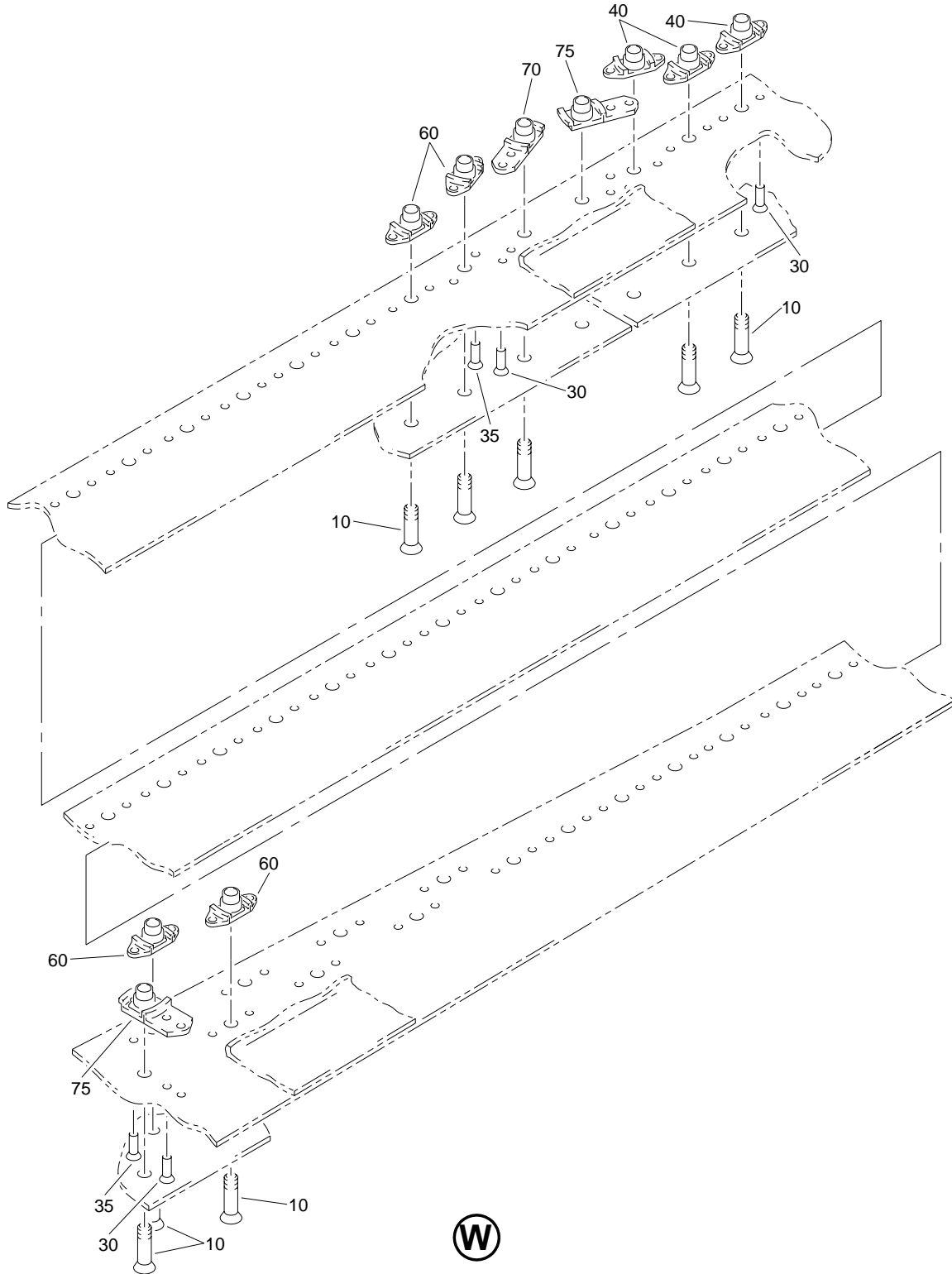
ILLUSTRATED PARTS LIST
01.1 Page 1066H
Nov 01/04



Front Spar Installation
Figure 10 (Sheet 21)

57-53-51

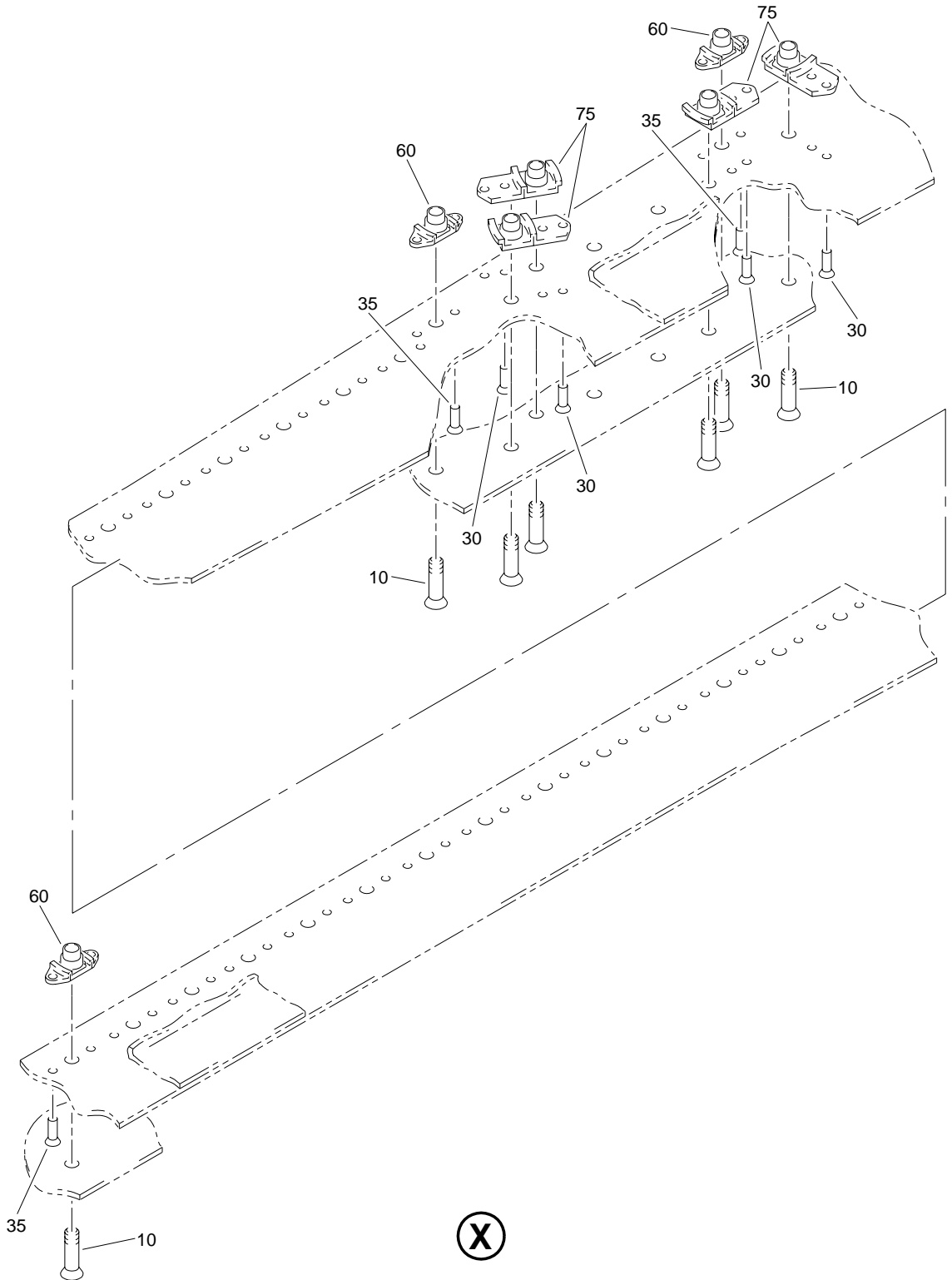
ILLUSTRATED PARTS LIST
01.1 Page 1066I
Nov 01/04



Front Spar Installation
Figure 10 (Sheet 22)

57-53-51

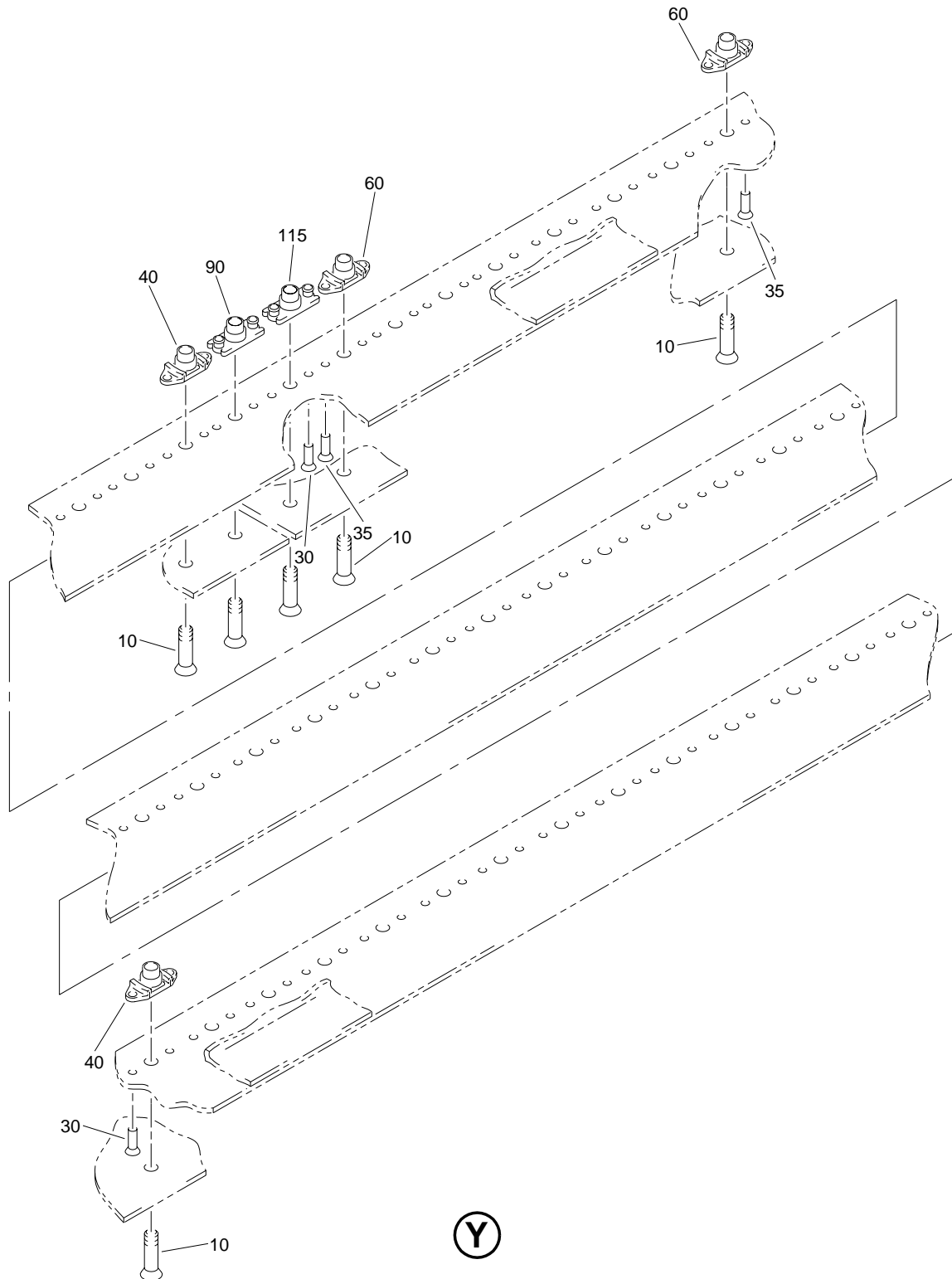
ILLUSTRATED PARTS LIST
01.1 Page 1066J
Nov 01/04



Front Spar Installation
Figure 10 (Sheet 23)

57-53-51

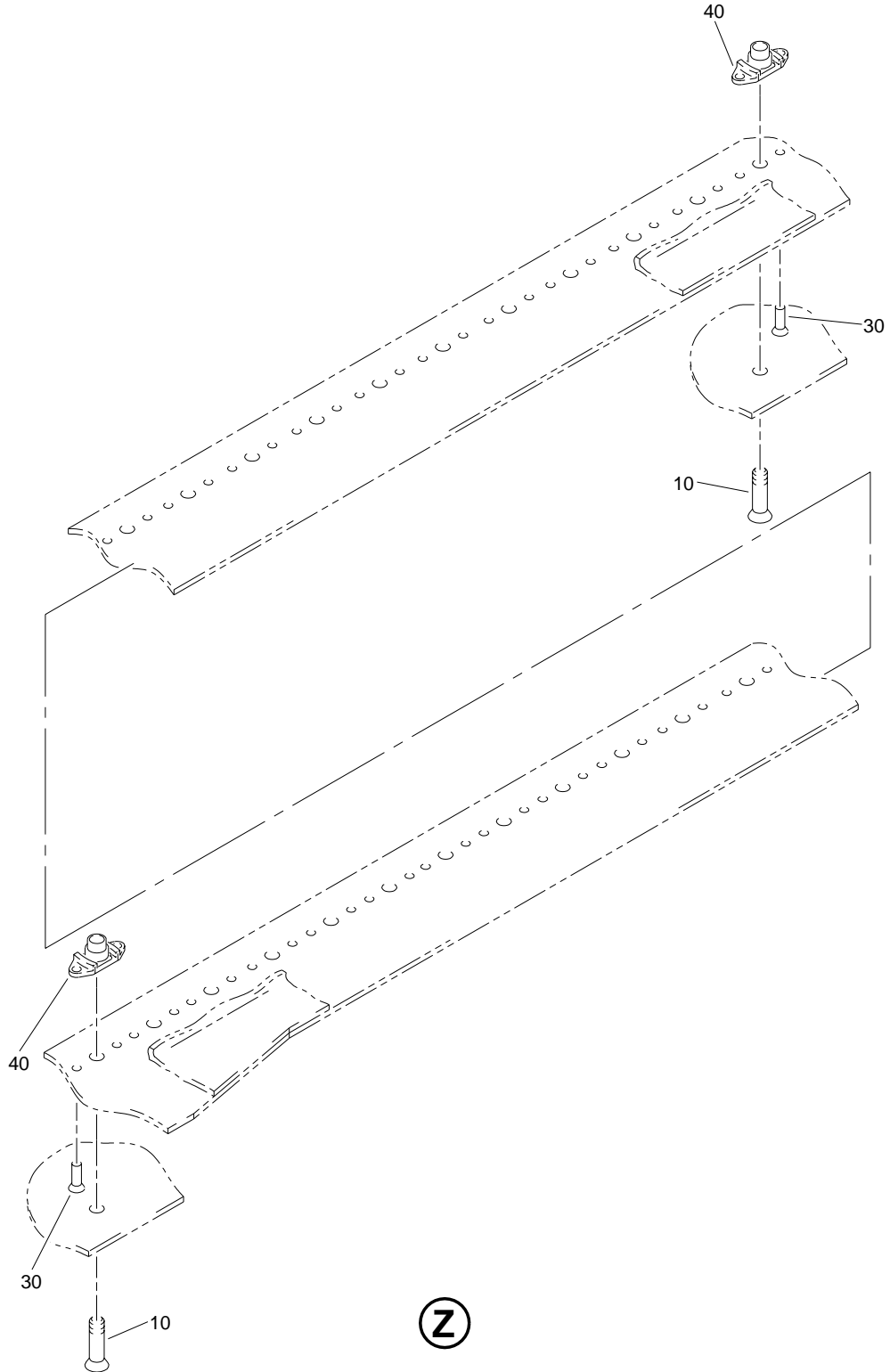
ILLUSTRATED PARTS LIST
01.1 Page 1066K
Nov 01/04



Front Spar Installation
Figure 10 (Sheet 24)

57-53-51

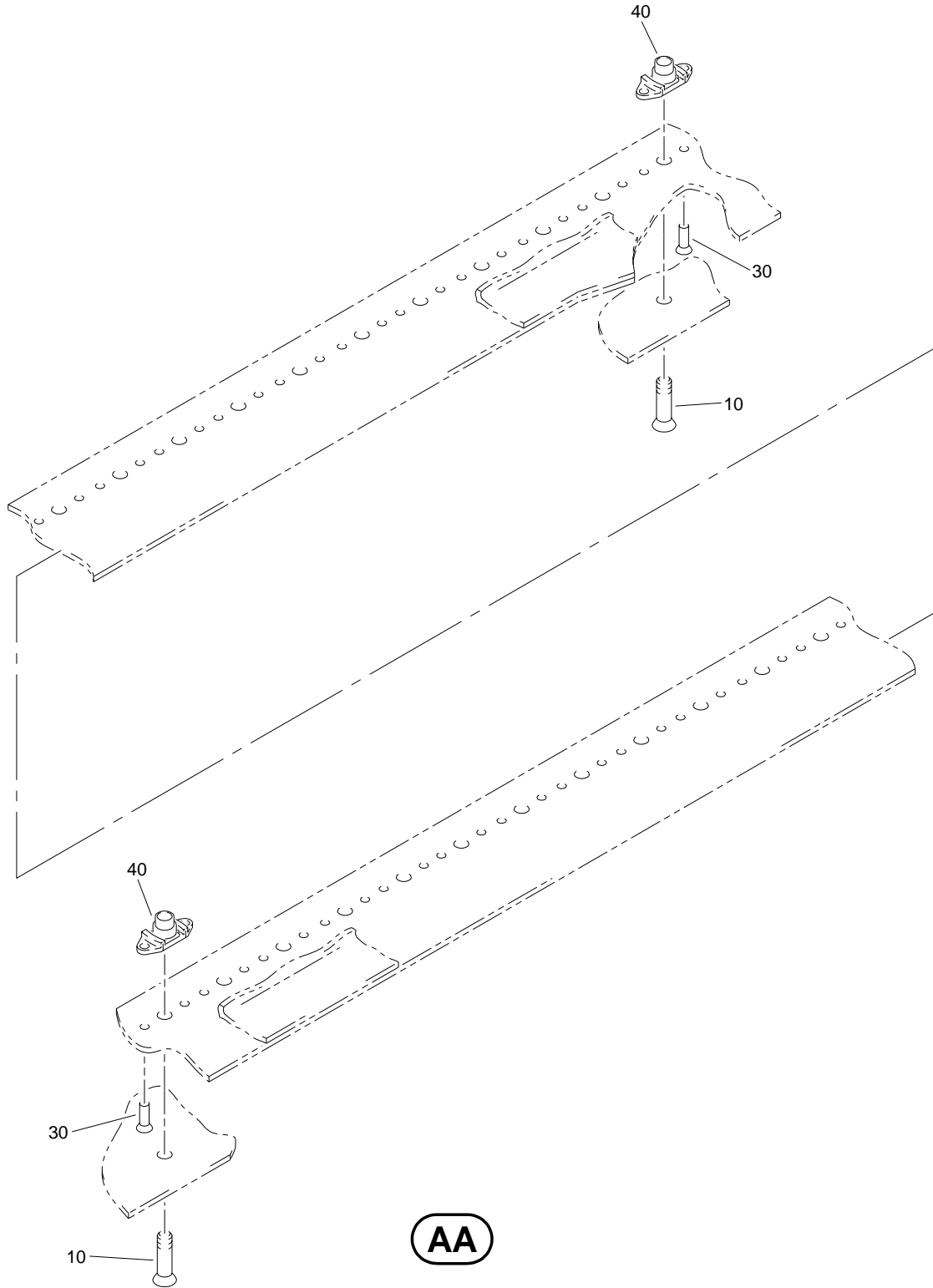
ILLUSTRATED PARTS LIST
01.1 Page 1066L
Nov 01/04



Front Spar Installation
Figure 10 (Sheet 25)

57-53-51

ILLUSTRATED PARTS LIST
01.1 Page 1066M
Nov 01/04

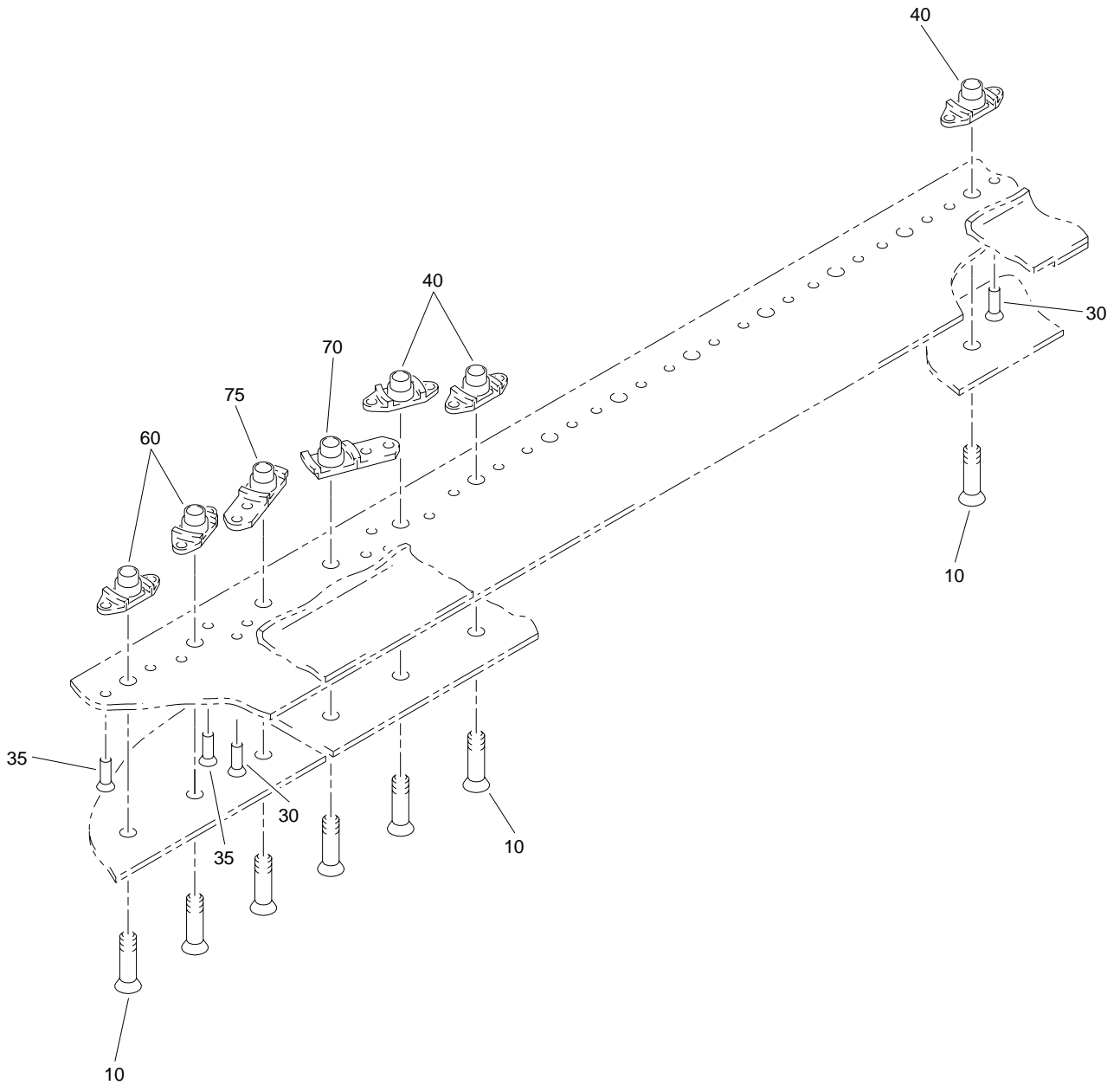


AA

Front Spar Installation
Figure 10 (Sheet 26)

57-53-51

ILLUSTRATED PARTS LIST
01.1 Page 1066N
Nov 01/04

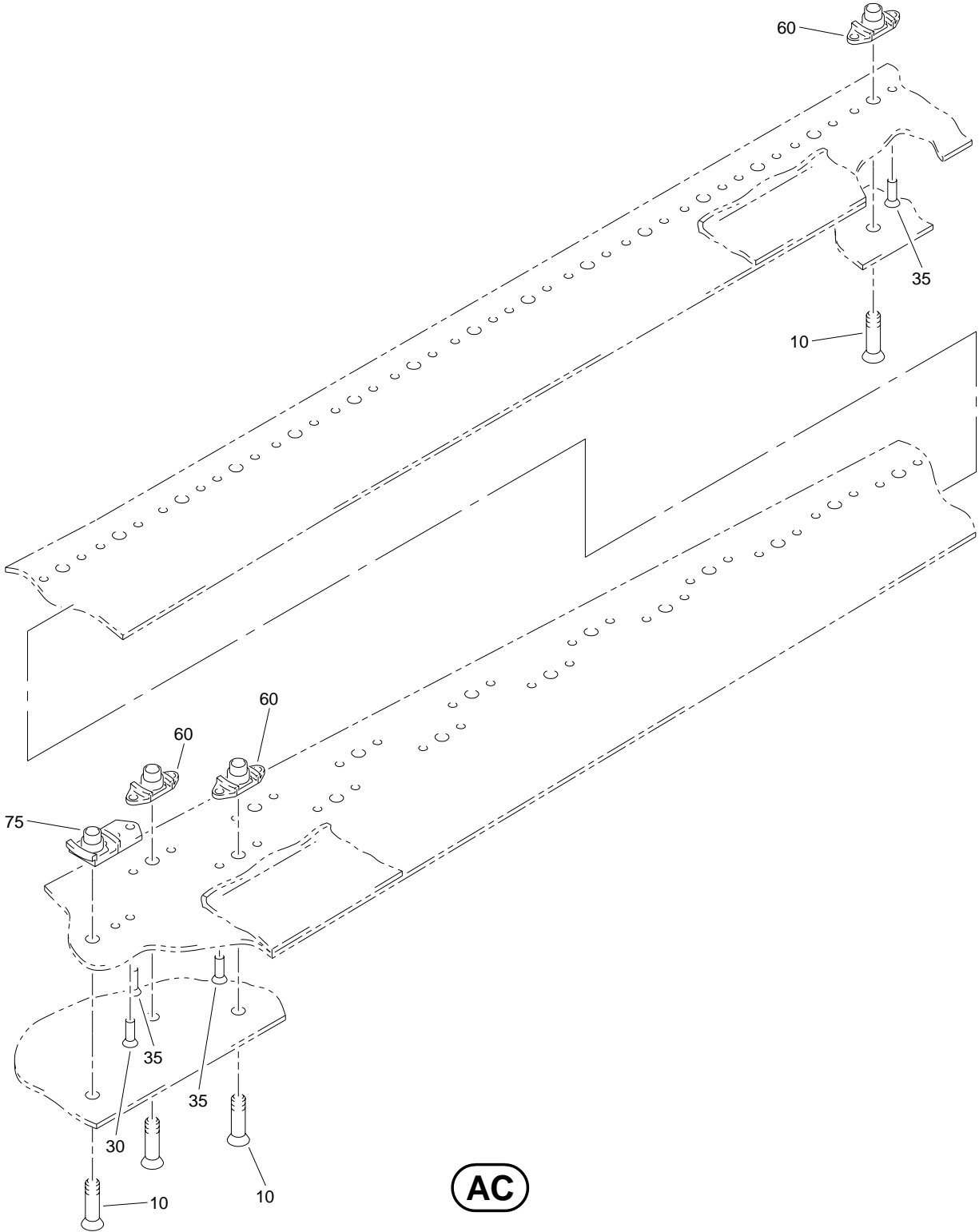


AB

Front Spar Installation
Figure 10 (Sheet 27)

57-53-51

ILLUSTRATED PARTS LIST
01.1 Page 10660
Nov 01/04



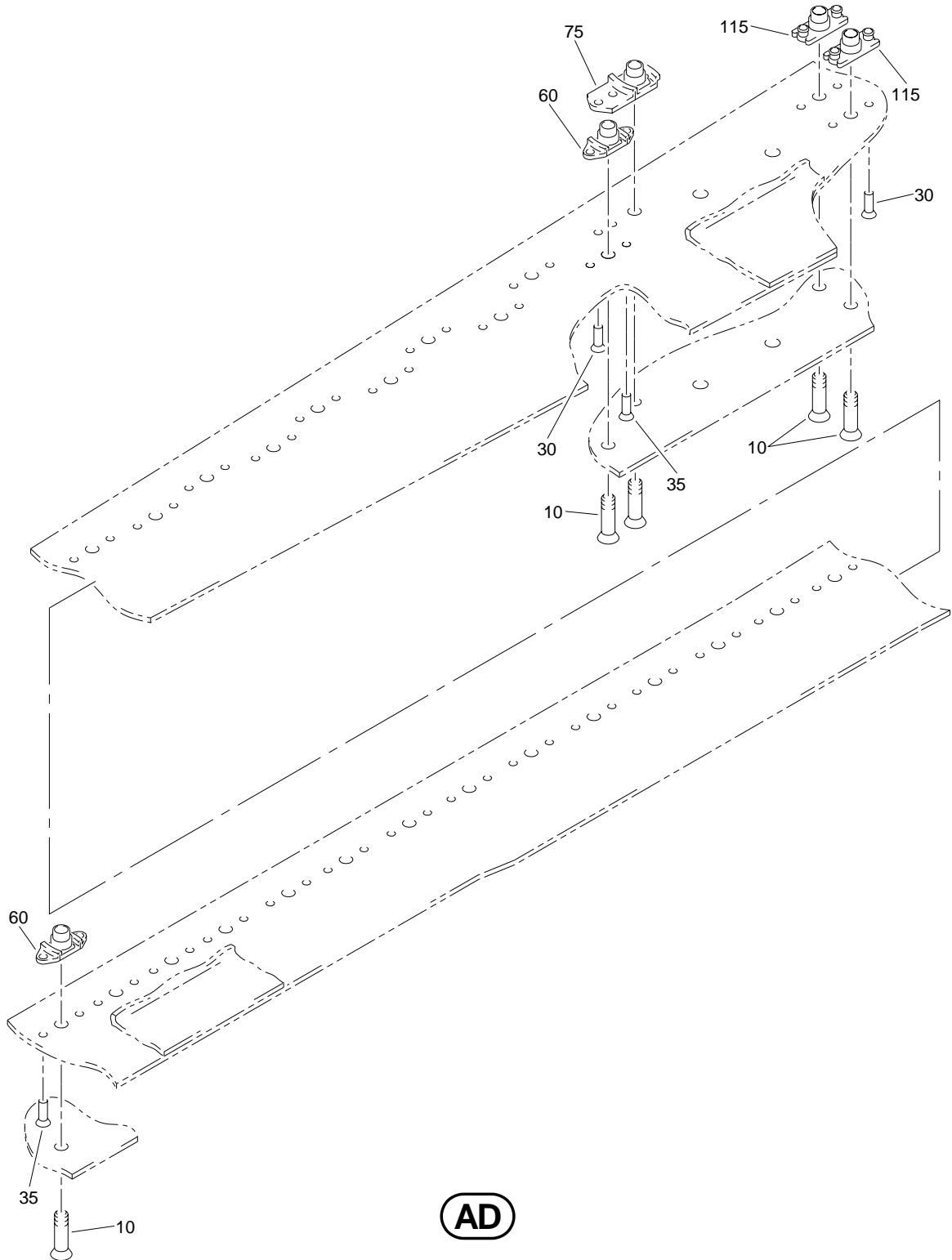
AC

Front Spar Installation
Figure 10 (Sheet 28)

57-53-51

ILLUSTRATED PARTS LIST
01.1 Page 1066P
Nov 01/04

K34924

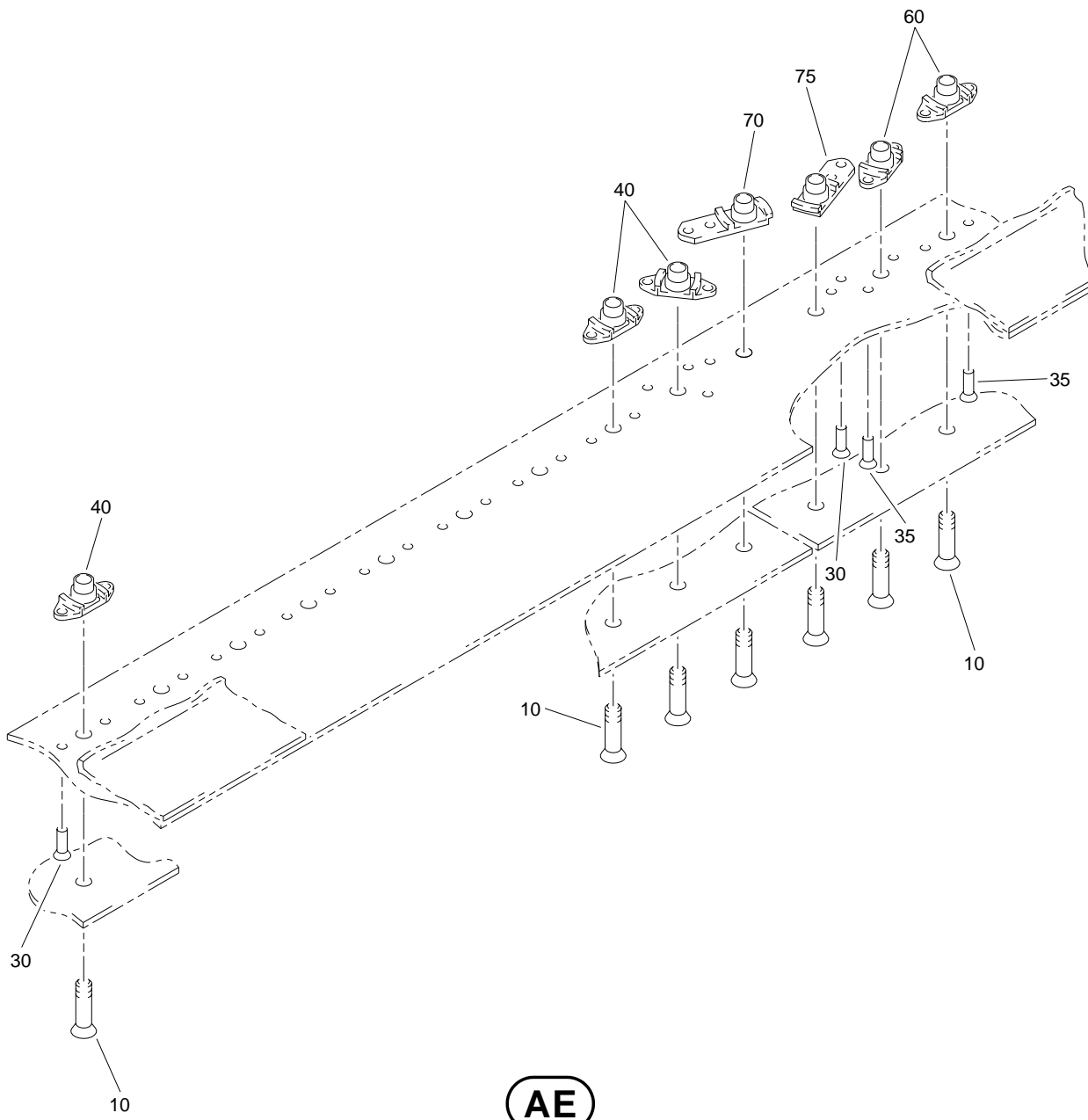


AD

Front Spar Installation
Figure 10 (Sheet 29)

57-53-51

ILLUSTRATED PARTS LIST
01.1 Page 1066Q
Nov 01/04

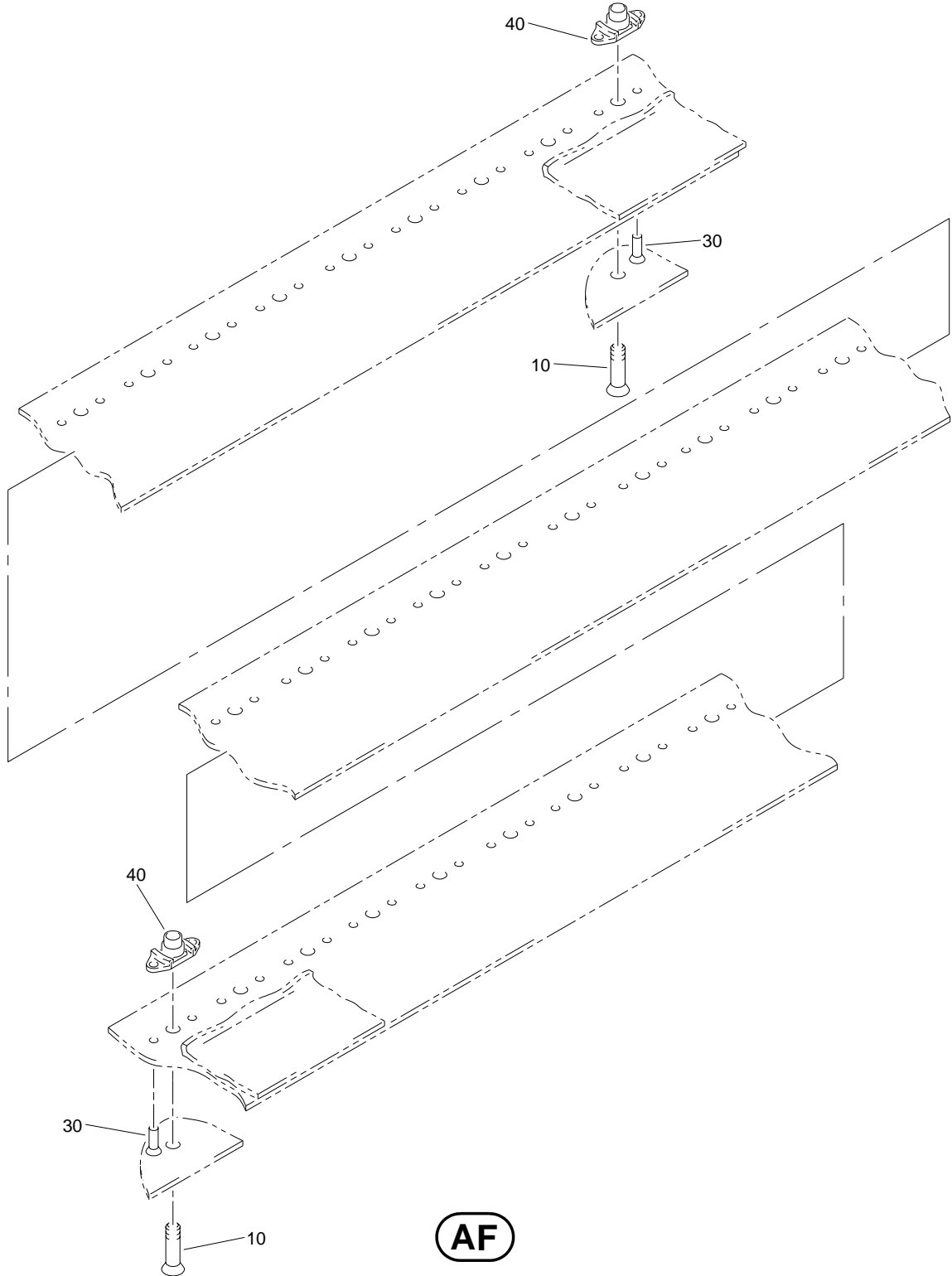


AE

Front Spar Installation
Figure 10 (Sheet 30)

57-53-51

ILLUSTRATED PARTS LIST
01.1 Page 1066R
Nov 01/04

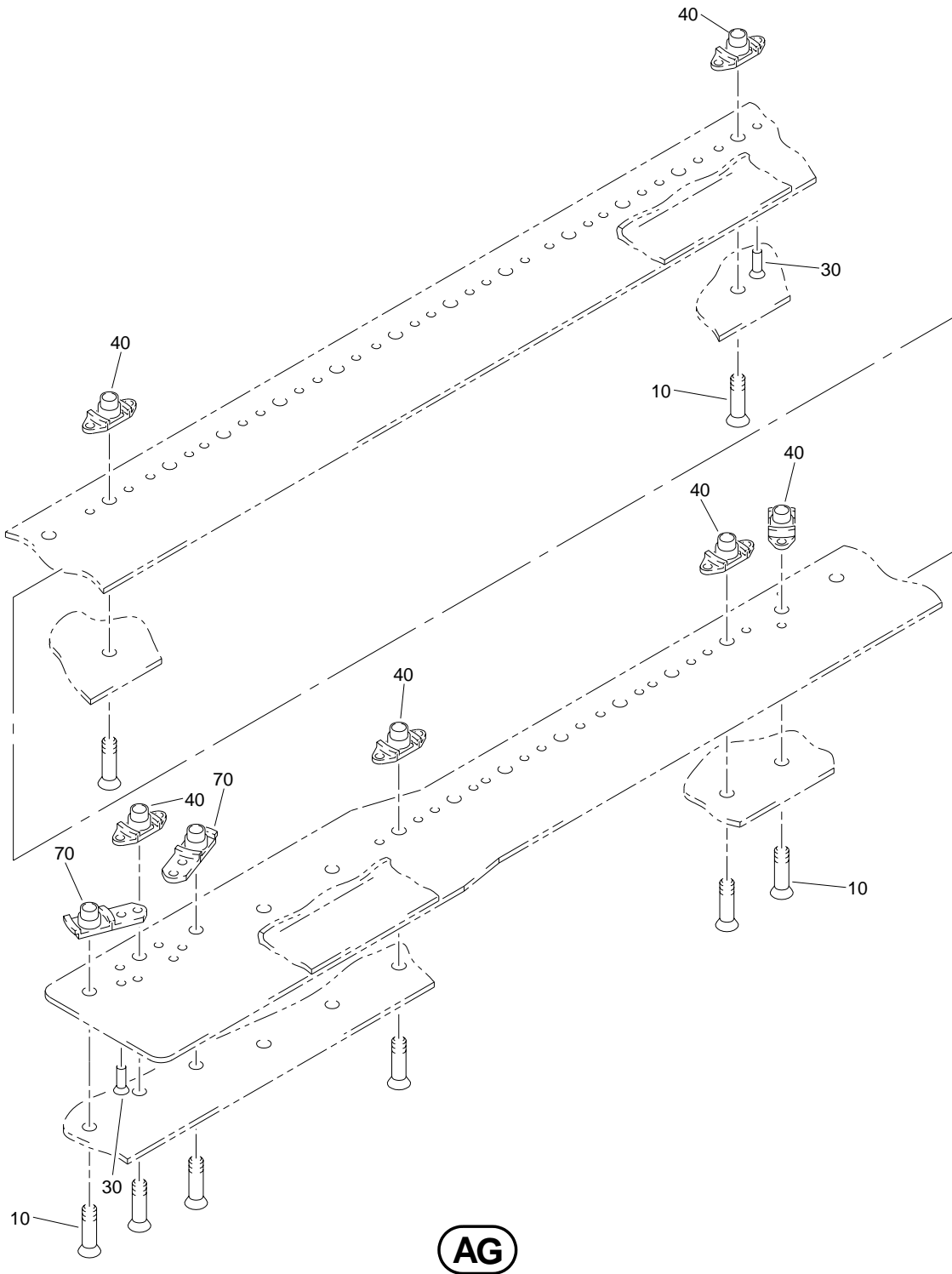


AF

Front Spar Installation
Figure 10 (Sheet 31)

57-53-51

ILLUSTRATED PARTS LIST
01.1 Page 1066S
Nov 01/04



Front Spar Installation
Figure 10 (Sheet 32)

57-53-51

ILLUSTRATED PARTS LIST
01.1 Page 1066T
Nov 01/04


BOEING
 COMPONENT
 MAINTENANCE MANUAL

FIG. & ITEM	PART NO.	AIRLINE PART NUMBER	NOMENCLATURE 1234567	EFF CODE	QTY PER ASSY
10-					
-1A	113T3122-401		SPAR INSTL-FRONT	AK, BB	RF
-5	113T3122-402		SPAR INSTL-FRONT	AM, BC	RF
10	BACB30NN3K8		.BOLT	AK, AM , BB, B C	971
15	BACB30LR5-11		.BOLT	AK, AM , BB, B C	4
20	BACB30LR4-11		.BOLT	AK, AM , BB, B C	8
25	BACB30NN4K11		.BOLT	AK, AM , BB, B C	3
30	BACR15BA3AD		.RIVET- (SIZE DETERMINE ON INST)	AK, AM , BB, B C	999
35	MS20427M3		.RIVET- (SIZE DETERMINE ON INST) (USED WITH ITEM 60)	AK, AM , BB, B C	244
40	NS103191-02-6		.NUTPLATE- (V80539) (SPEC BACN10KE3B6) (OPT RMF9213-6-3 (V72962)) (OPT F51750-3-6 (V15653)) (OPT BRFR220A3-6 (V52828))	AK, AM , BB, B C	464

57-53-51

ILLUSTRATED PARTS LIST

01.1 Page 1066U

Nov 01/04

FIG. & ITEM	PART NO.	AIRLINE PART NUMBER	NOMENCLATURE 1234567	EFF CODE	QTY PER ASSY
10-45	NS103191-02-4		.NUTPLATE- (V80539) (SPEC BACN10KE3B4) (OPT RMF9213-4-3 (V72962)) (OPT F51750-3-4 (V15653)) (OPT BRFR220A3-4 (V52828))	AK,AM ,BB,B C	253
50	NS103191-02-3		.NUTPLATE- (V80539) (SPEC BACN10KE3B3) (OPT RMF9213-3-3 (V72962)) (OPT F51750-3-3 (V15653)) (OPT BRFR220A3-3 (V52828))	AK,AM ,BB,B C	55
55	NS103191-02-5		.NUTPLATE- (V80539) (SPEC BACN10KE3B5) (OPT RMF9213-5-3 (V72962)) (OPT F51750-3-5 (V15653)) (OPT BRFR220A3-5 (V52828))	AK,AM ,BB,B C	14
60	NS103191SE02-6		.NUTPLATE- (V80539) (SPEC BACN10KE3B6CM) (OPT F51747-3-6DL (V15653)) (OPT 104F9213-6-3 (V72962)) (OPT BRFR220C3-6M (V52828))	AK,AM ,BB,B C	122

57-53-51

 ILLUSTRATED PARTS LIST
 01.1 Page 1066V
 Nov 01/04


BOEING
 COMPONENT
 MAINTENANCE MANUAL

FIG. & ITEM	PART NO.	AIRLINE PART NUMBER	NOMENCLATURE 1234567	EFF CODE	QTY PER ASSY
10-65	NS103194-02-3		.NUTPLATE- (V80539) (SPEC BACN10KE3E3) (OPT RMF9216-3-3 (V72962)) (OPT F51752-3-3 (V15653)) (OPT BRFR120A3-3 (V52828))	AK,AM ,BB,B C	4
70	NS103194-02-6		.NUTPLATE- (V80539) (SPEC BACN10KE3E6) (OPT RMF9216-6-3 (V72962)) (OPT F51752-3-6 (V15653)) (OPT BRFR120A3-6 (V52828))	AK,AM ,BB,B C	16
75	NS103194SE02-6		.NUTPLATE- (V80539) (SPEC BACN10KE3E6CM) (OPT 104F9216-6-3 (V72962)) (OPT F51751-3-6DL (V15653)) (OPT BRFR120C3-6M (V52828))	AK,AM ,BB,B C	10
80	BACN10YF31CD		.NUTPLATE	AK,AM ,BB,B C	3
85	MF19058-3-4BAC		.NUTPLATE- (V15653) (SPEC BACN10YF34)	AK,AM ,BB,B C	6
90	MF19058-3-6BAC		.NUTPLATE- (V15653) (SPEC BACN10YF36)	AK,AM ,BB,B C	13
95	MF19058-5-5BAC		.NUTPLATE- (V15653) (SPEC BACN10YF55)	AK,AM ,BB,B C	4

57-53-51

 ILLUSTRATED PARTS LIST
 01.1 Page 1066W
 Nov 01/04

FIG. & ITEM	PART NO.	AIRLINE PART NUMBER	NOMENCLATURE 1234567	EFF CODE	QTY PER ASSY
10-100 100A	MF19058-4-4BAC MF19058-4-2BAC		DELETED .NUTPLATE- (V15653) (SPEC BACN10YF42)	AK,AM ,BB,B C	7
102	MF19058-4-1BAC		.NUTPLATE- (V15653) (SPEC BACN10YF41)	AK,AM ,BB,B C	1
105	MF19058-4-2BAC		.NUTPLATE- (V15653) (SPEC BACN10YF42)	AK,AM ,BB,B C	7
110	MF19058-3-5BAC		.NUTPLATE- (V15653) (SPEC BACN10YF35)	AK,AM ,BB,B C	4
115	BACN10YF36CM		.NUTPLATE	AK,AM ,BB,B C	3
120	HST10AG8-7		.BOLT- (VOPTK6) (SPEC BACB30VT8K7) (OPT HST10AG8-7 (V06725)) (OPT HST10AG8-7 (V56878)) (OPT HST10AG8-7 (V73197))	AK,AM ,BB,B C	4
125	HST10AG8-11		.BOLT- (VOPTK6) (SPEC BACB30VT8K11) (OPT HST10AG8-11 (V06725)) (OPT HST10AG8-11 (V56878)) (OPT HST10AG8-11 (V73197))	AK,AM ,BB,B C	20
130	HST10AG6-7		.BOLT- (VOPTK6) (SPEC BACB30VT6K7) (OPT HST10AG6-7 (V06725)) (OPT HST10AG6-7 (V56878)) (OPT HST10AG6-7 (V73197))	AK,AM ,BB,B C	8

57-53-51

 ILLUSTRATED PARTS LIST
 01.1 Page 1066X
 Nov 01/04


BOEING
 COMPONENT
 MAINTENANCE MANUAL

FIG. & ITEM	PART NO.	AIRLINE PART NUMBER	NOMENCLATURE 1234567	EFF CODE	QTY PER ASSY
10-135	HST79CY8		. COLLAR- (V73197) (SPEC BACC30BL8) (OPT HST79-8 (V92215)) (OPT HST79CY8 (V56878)) (OPT HST79CY8 (V5M902))	AK,AM ,BB,B C	24
140	HST79CY6		. COLLAR- (V73197) (SPEC BACC30BL6) (OPT HST79-6 (V92215)) (OPT HST79CY6 (V56878)) (OPT HST79CY6 (V5M902))	AK,AM ,BB,B C	8
145	113T3107-401		. FITTING	AK,AM ,BB,B C	1
150	113T3107-9		. SUPPORT-FAIRING	AK,AM ,BB,B C	1
155	113T3157-403		. FITTING	AK,AM ,BB,B C	2
160	113T3157-401		. FITTING	AK,AM ,BB,B C	2
165	113T3107-1		. SUPPORT-FAIRING	AK,AM ,BB,B C	1
170	113T3107-16		. SUPPORT-FAIRING	AK,AM ,BB,B C	1
175	113T3156-403		. FITTING	AK,AM ,BB,B C	2
180	113T3156-401		. FITTING	AK,AM ,BB,B C	2

57-53-51

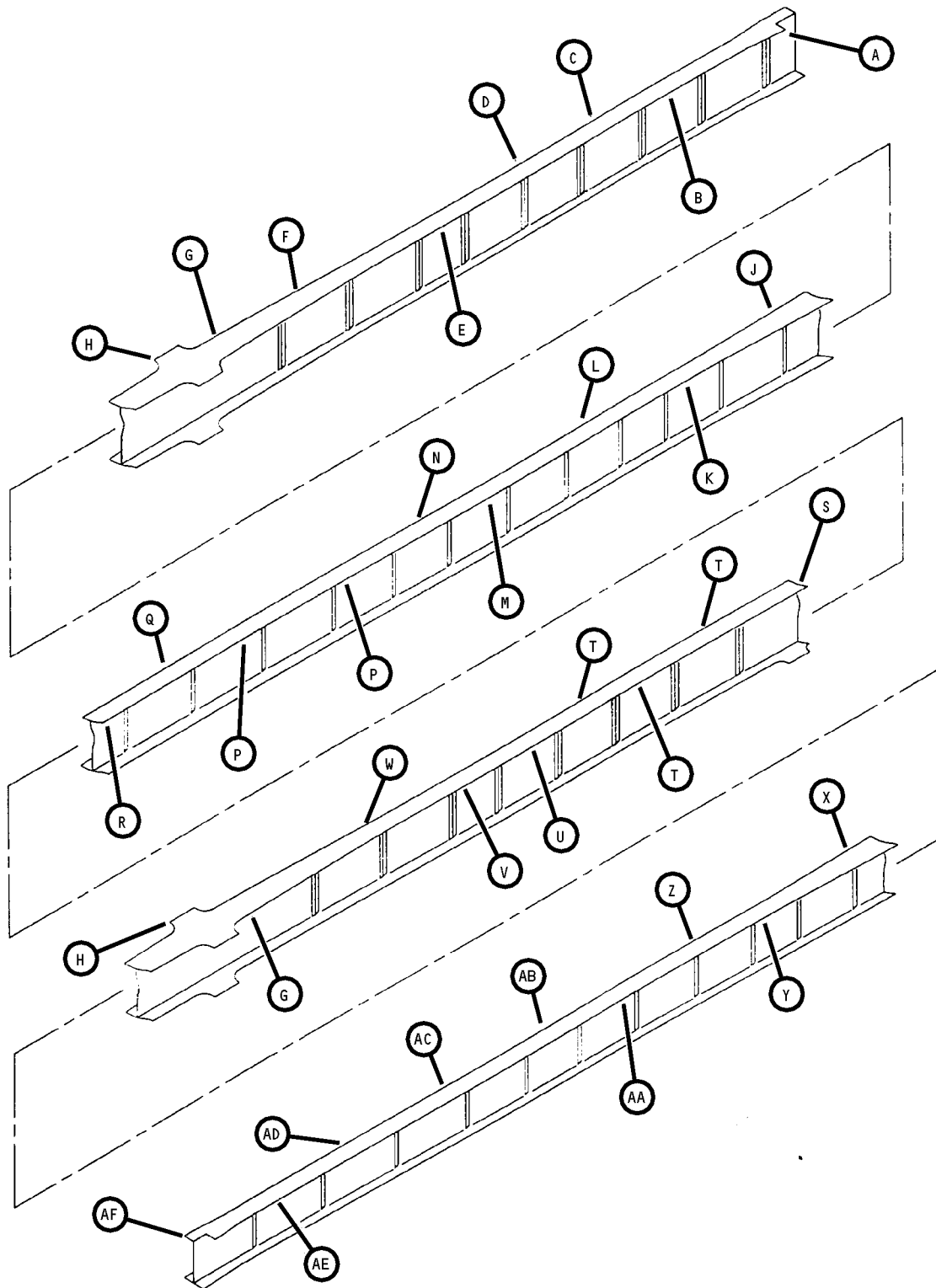
 ILLUSTRATED PARTS LIST
 01.1 Page 1066Y
 Nov 01/04

FIG. & ITEM	PART NO.	AIRLINE PART NUMBER	NOMENCLATURE 1234567	EFF CODE	QTY PER ASSY
10-185	BACS40R13B24F		. SHIM	AK, AM , BB, B C	3
190	BACS40R11B26F		. SHIM	AK, AM , BB, B C	4
195	BACS40R12C26F		. SHIM	AK, AM , BB, B C	4
200	BACS40R19B13F		. SHIM	AK, AM , BB, B C	4
205	BACS40R15B21F		. SHIM	AK, AM , BB, B C	1
210	BACS40R12E23F		. SHIM	AK, AM , BB, B C	2
215	113T3122-109		. SHIM-OUTBD	AK, AM , BB, B C	2
220	113T3122-110		. SHIM-OUTBD	AK, AM , BB, B C	1
225	113T3122-105		. SHIM-INBD	AK, AM , BB, B C	2
230	113T3122-106		. SHIM-INBD	AK, AM , BB, B C	1

- Item Not Illustrated

57-53-51

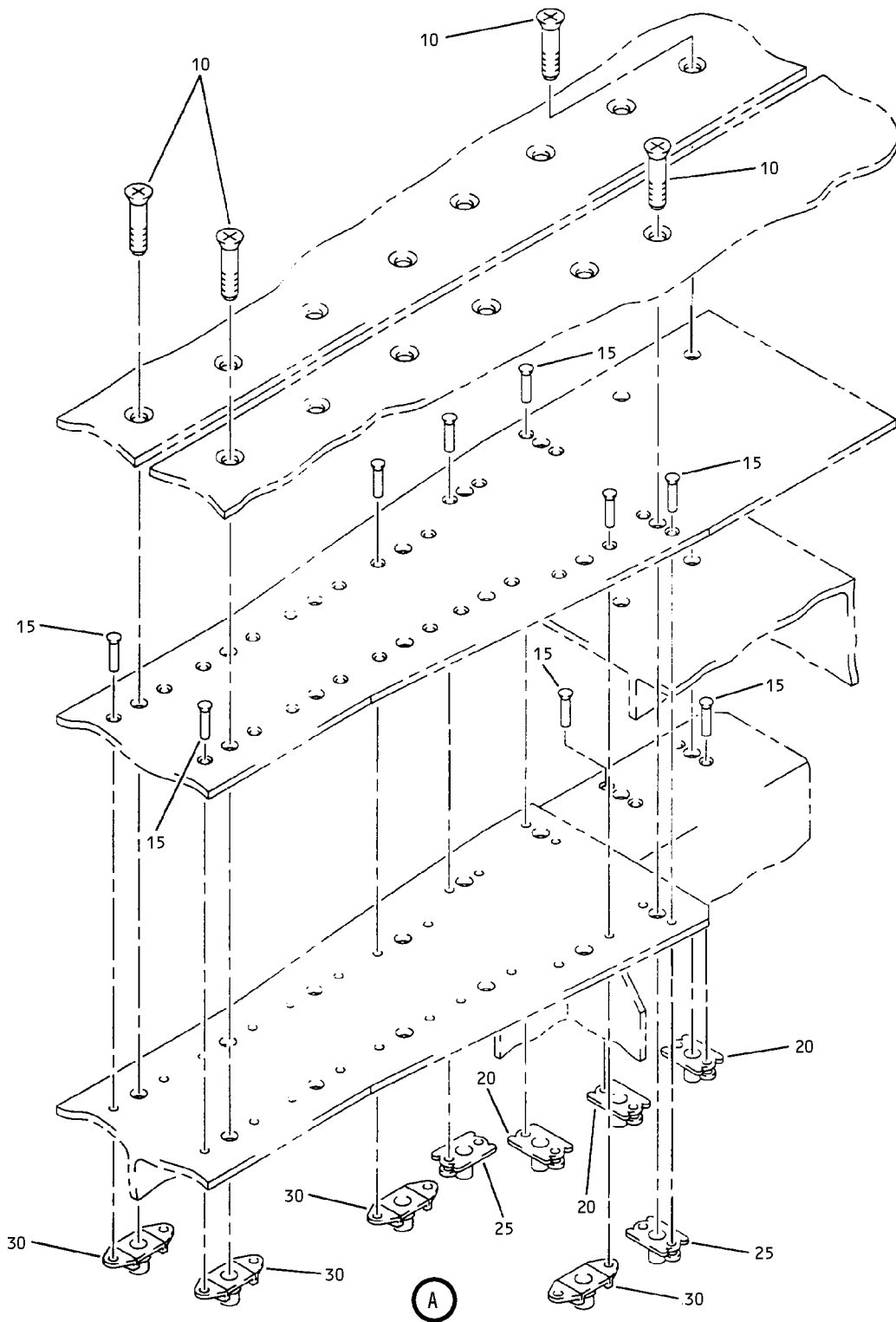
ILLUSTRATED PARTS LIST
 01.1 Page 1066Z
 Nov 01/04



Mid Spar Installation
 Figure 11 (Sheet 1)

57-53-51

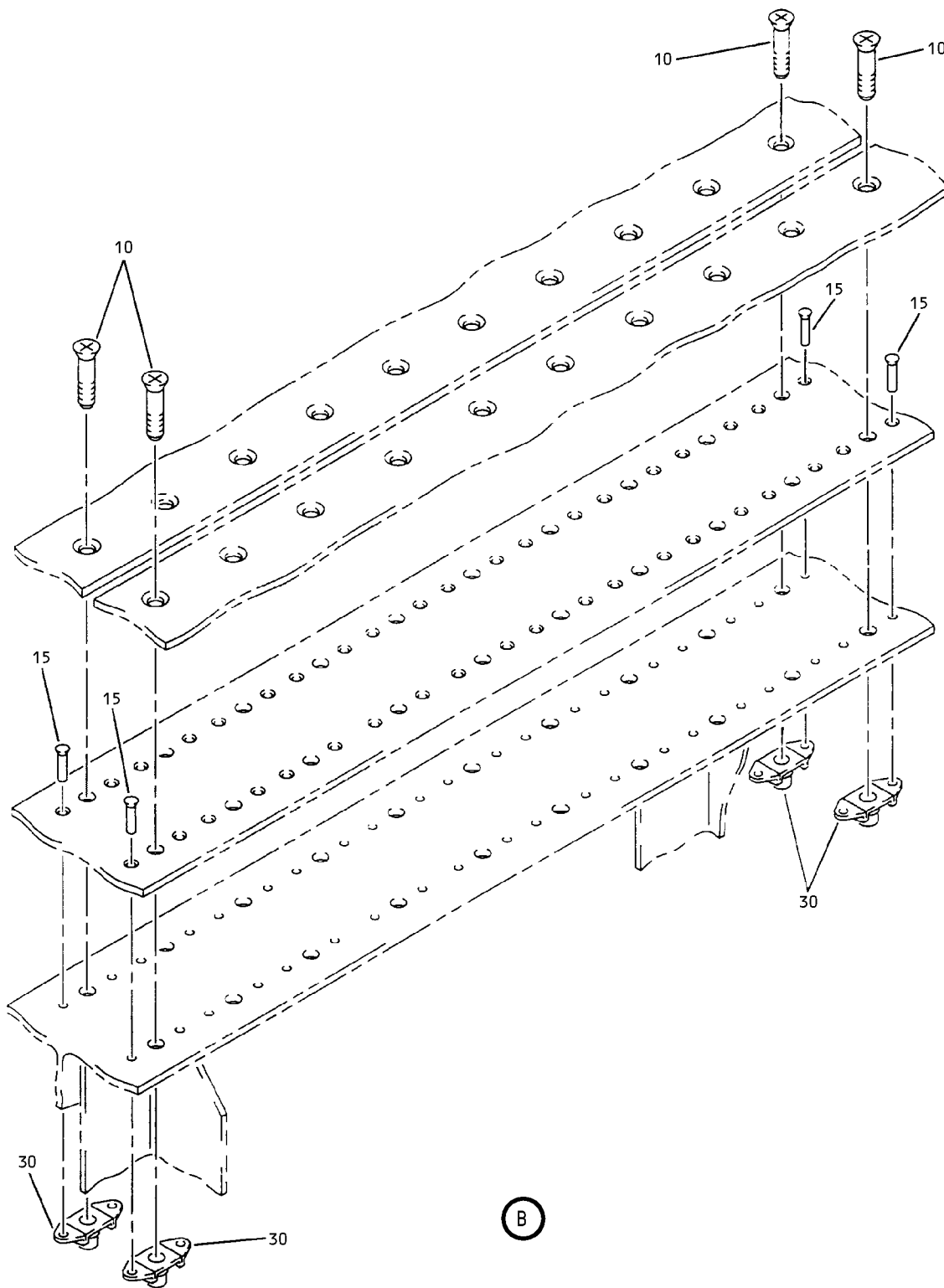
ILLUSTRATED PARTS LIST
 01.1 Page 1068
 Nov 01/04



Mid Spar Installation
Figure 11 (Sheet 2)

57-53-51

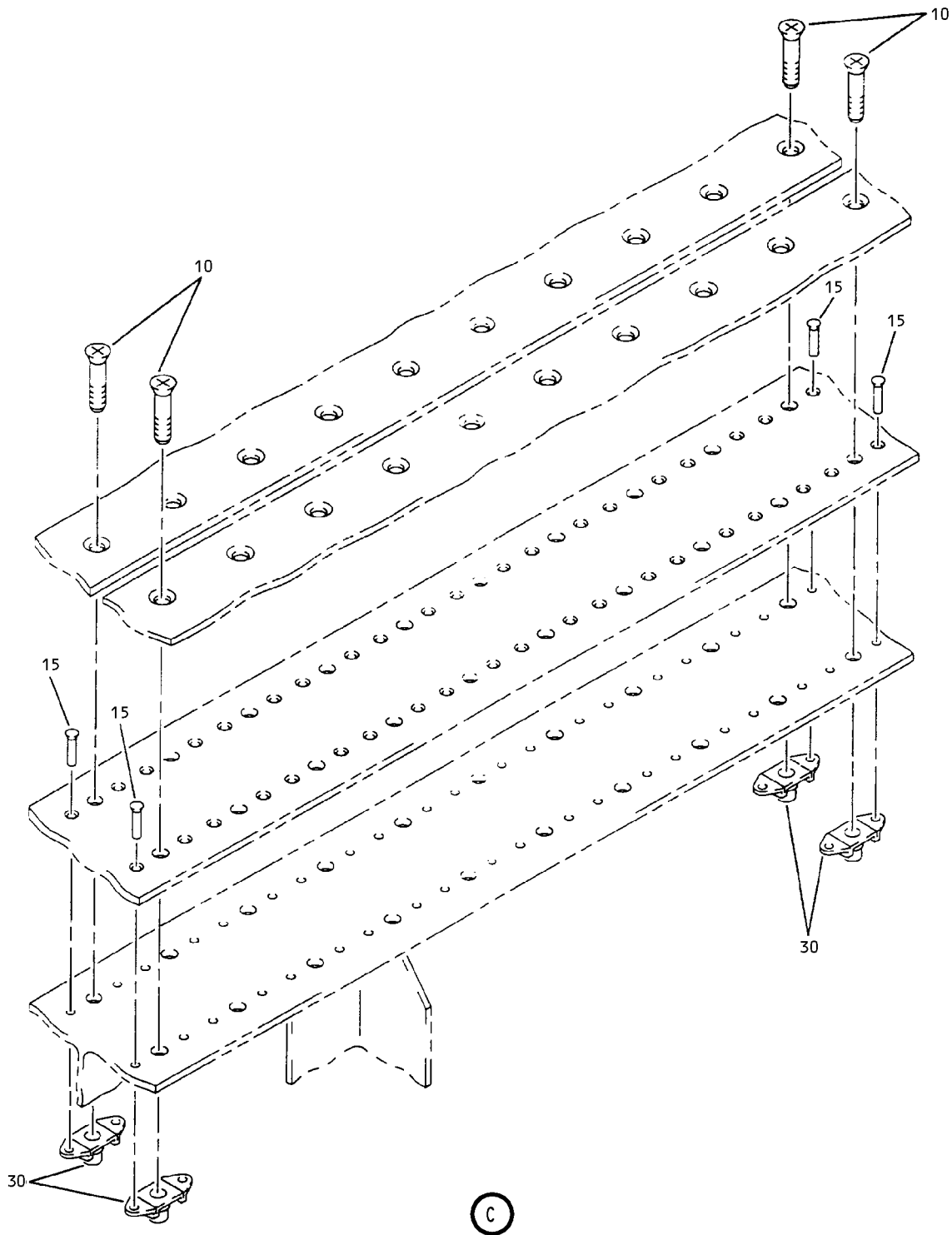
ILLUSTRATED PARTS LIST
01.1 Page 1068A
Nov 01/04



(B)

Mid Spar Installation
Figure 11 (Sheet 3)

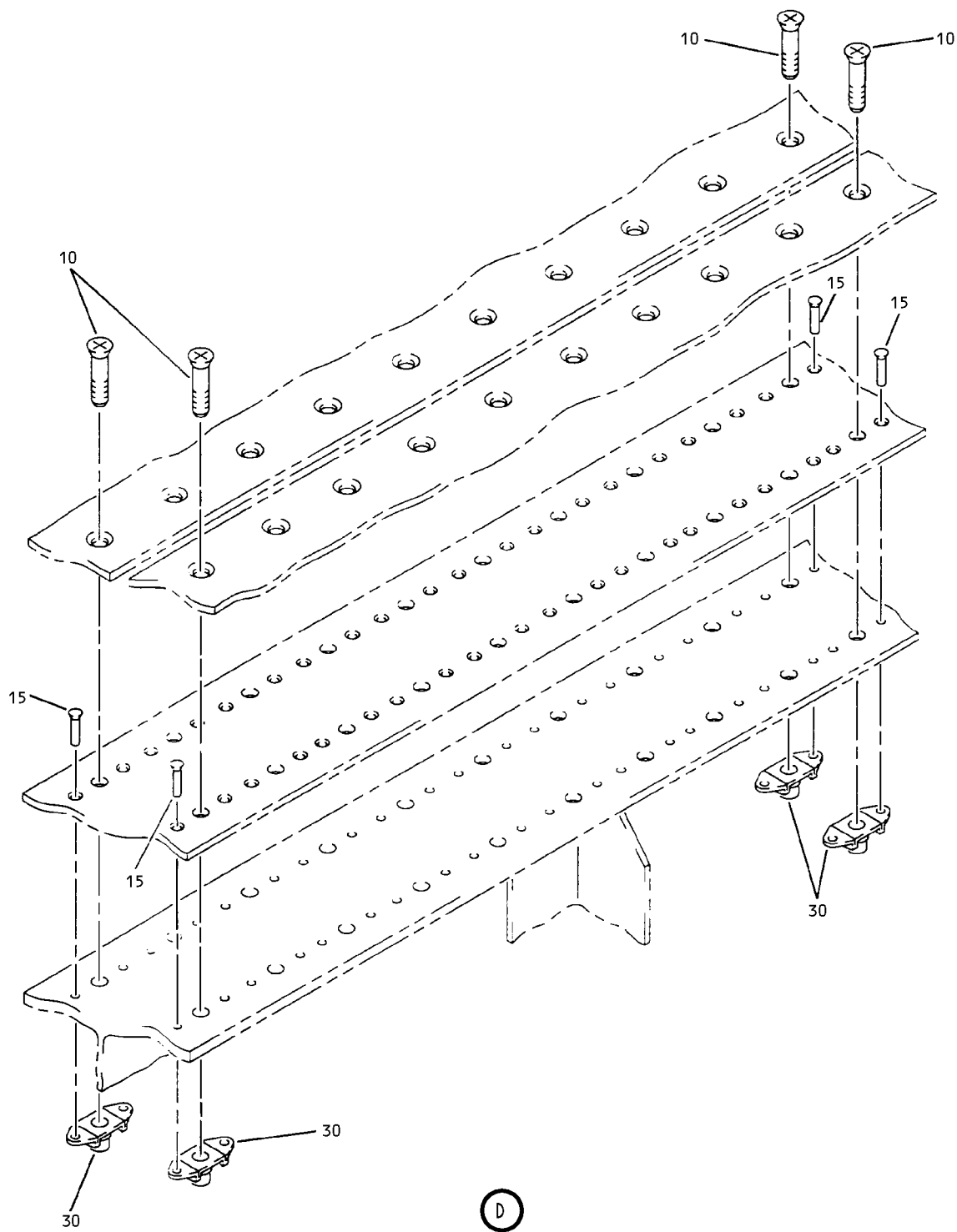
57-53-51
ILLUSTRATED PARTS LIST
01.1 Page 1068B
Nov 01/04



Mid Spar Installation
Figure 11 (Sheet 4)

57-53-51

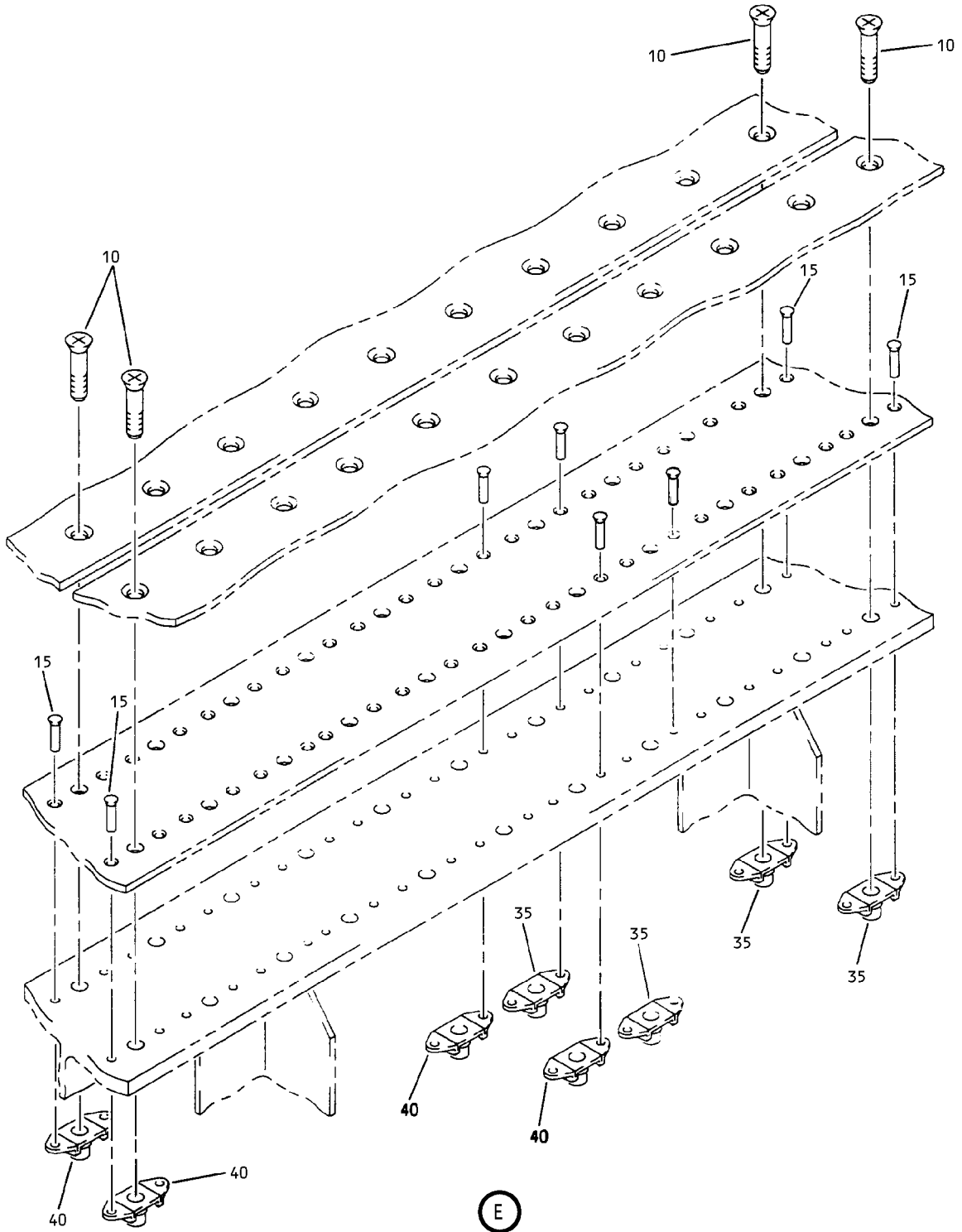
ILLUSTRATED PARTS LIST
01.1 Page 1068C
Nov 01/04



Mid Spar Installation
Figure 11 (Sheet 5)

57-53-51

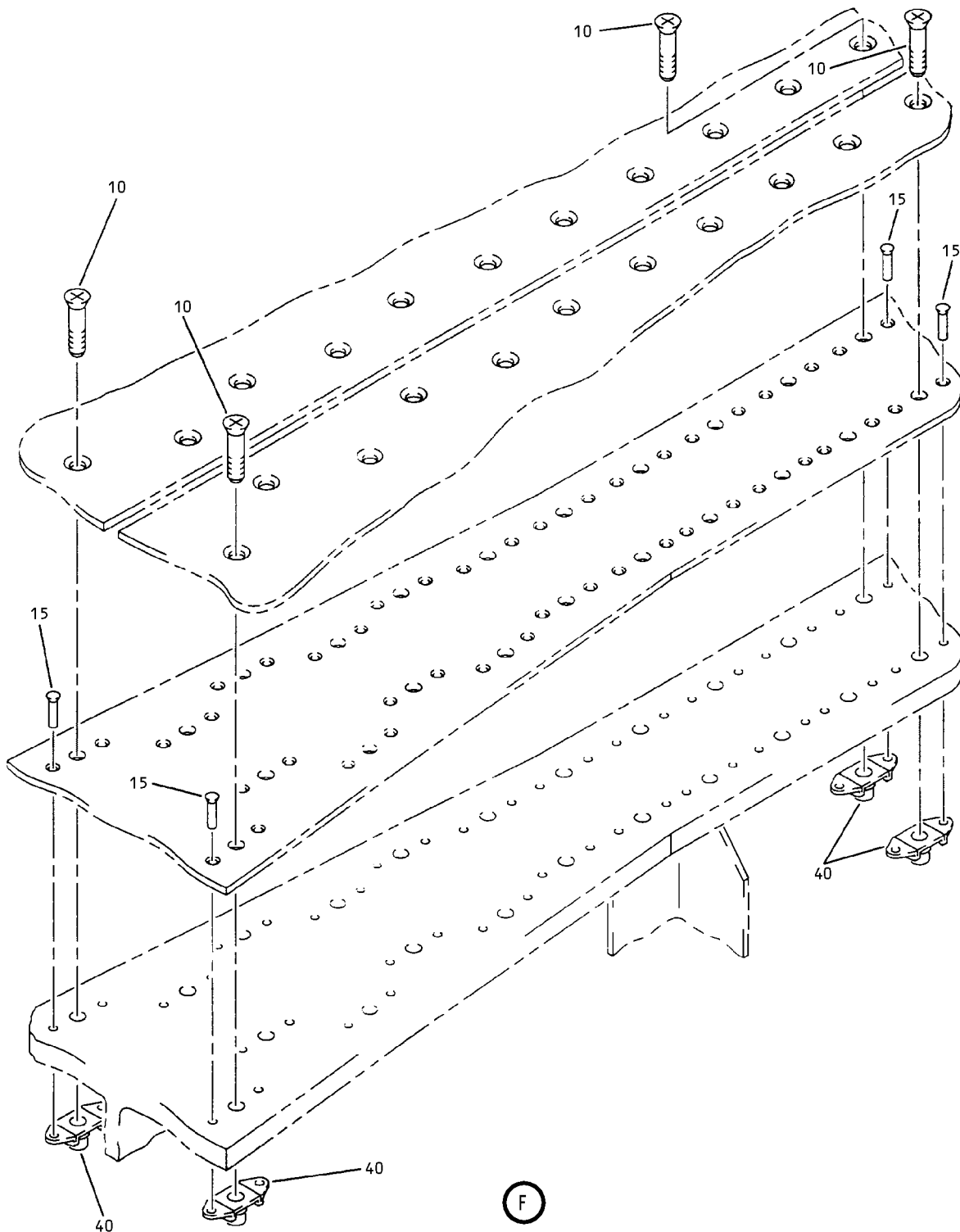
ILLUSTRATED PARTS LIST
01.1 Page 1068D
Nov 01/04



Mid Spar Installation
Figure 11 (Sheet 6)

57-53-51

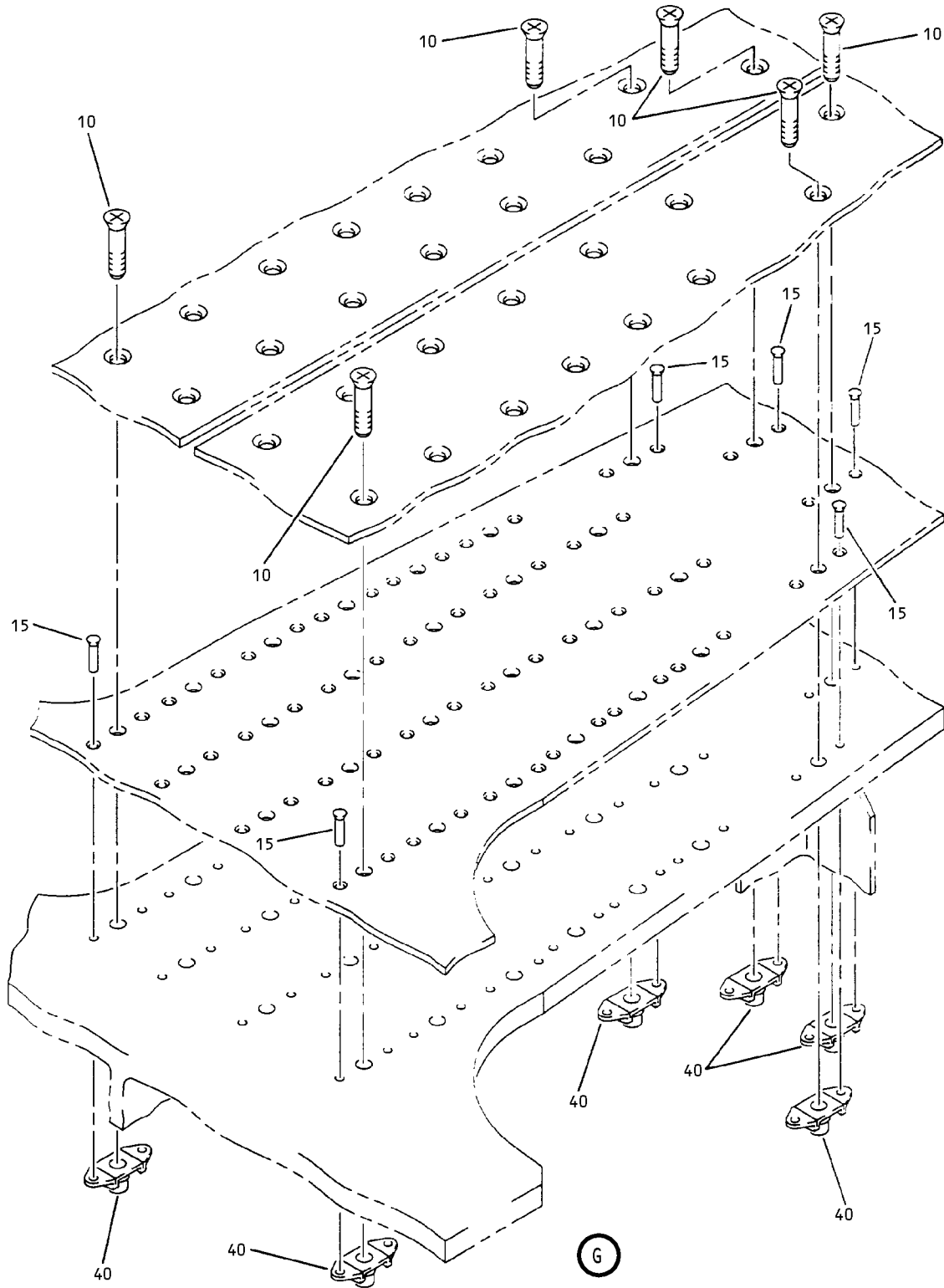
ILLUSTRATED PARTS LIST
01.1 Page 1068E
Nov 01/04



Mid Spar Installation
Figure 11 (Sheet 7)

57-53-51

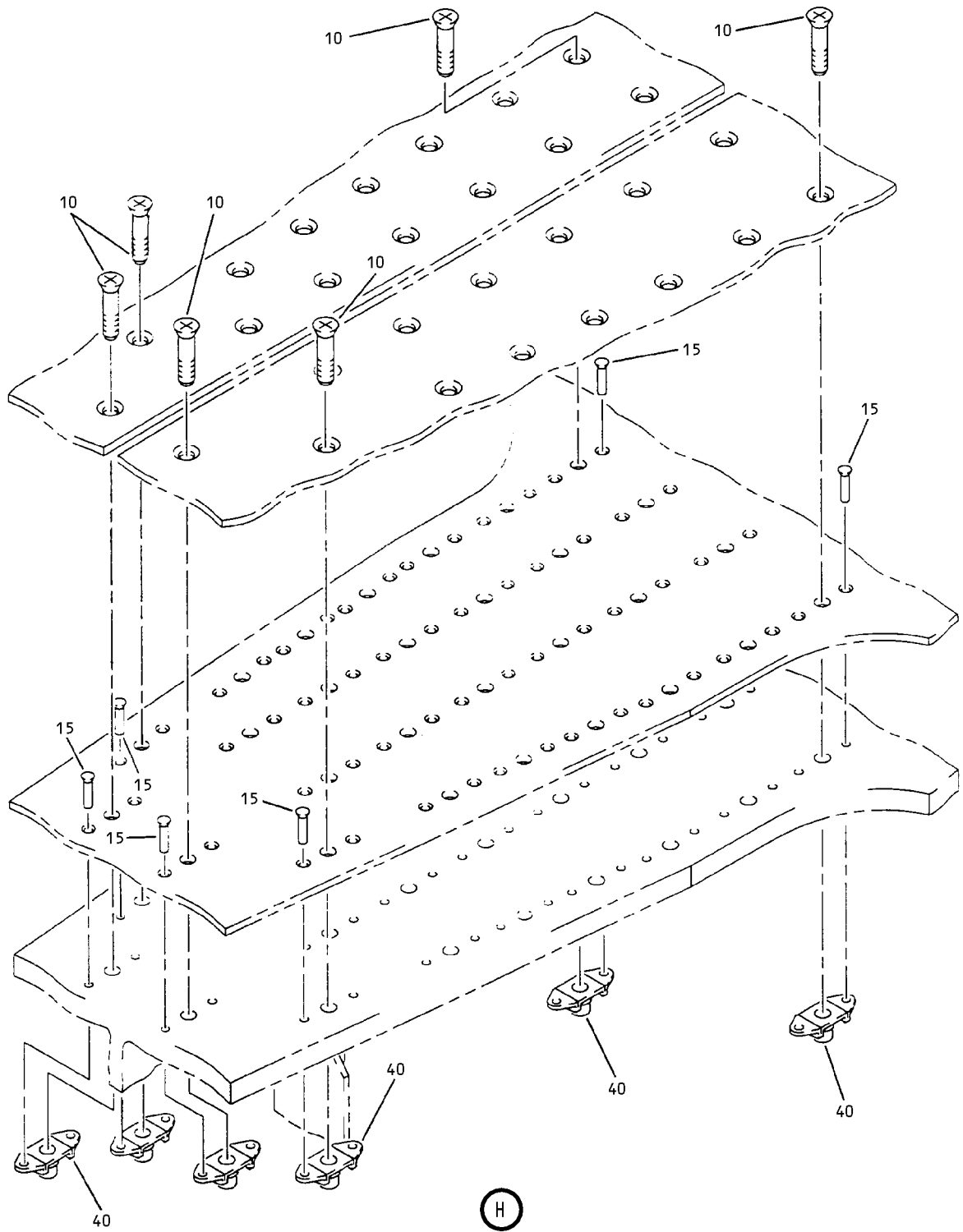
ILLUSTRATED PARTS LIST
01.1 Page 1068F
Nov 01/04



Mid Spar Installation
Figure 11 (Sheet 8)

57-53-51

ILLUSTRATED PARTS LIST
01.1 Page 1068G
Nov 01/04

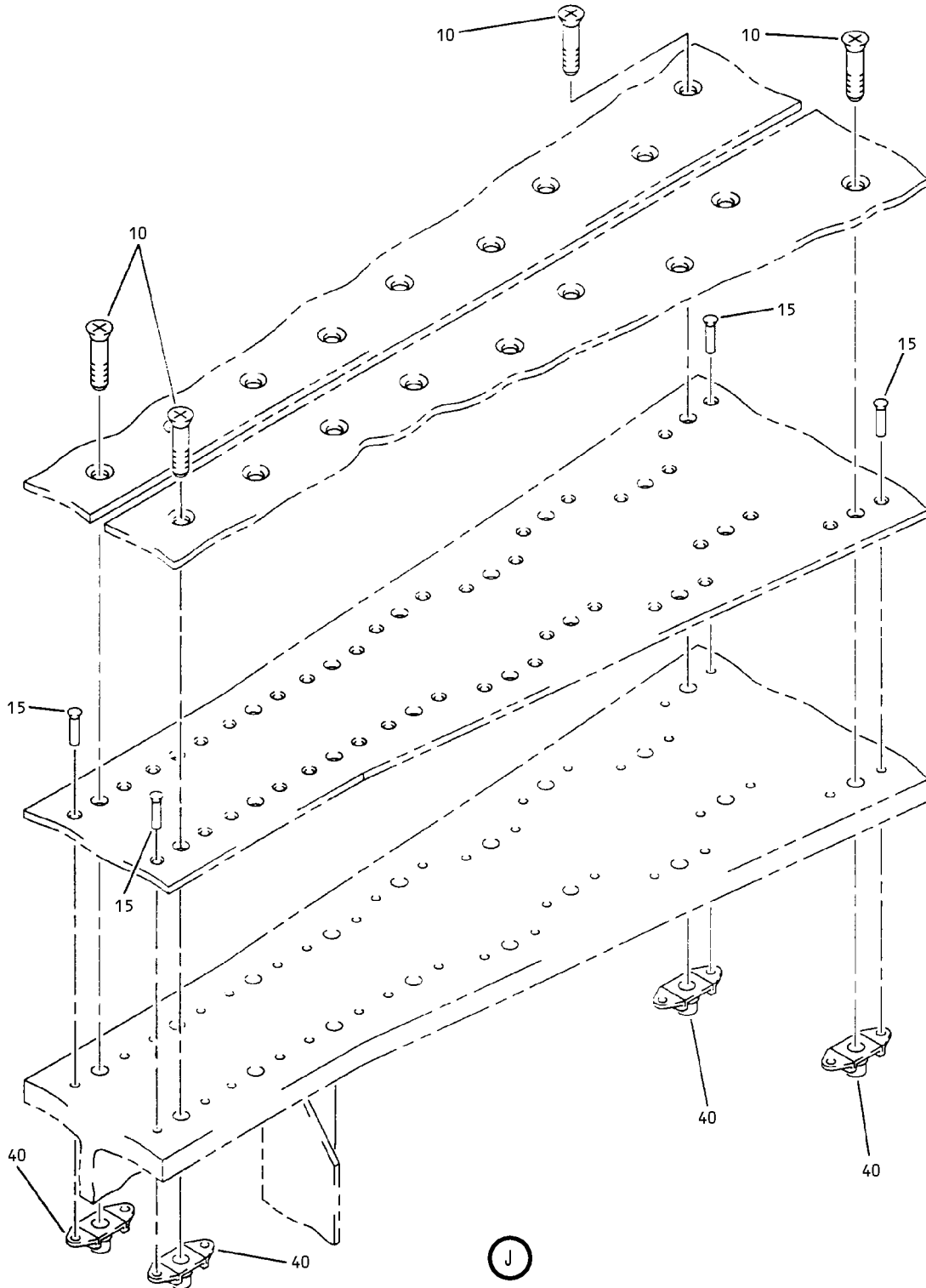


(H)

Mid Spar Installation
Figure 11 (Sheet 9)

57-53-51

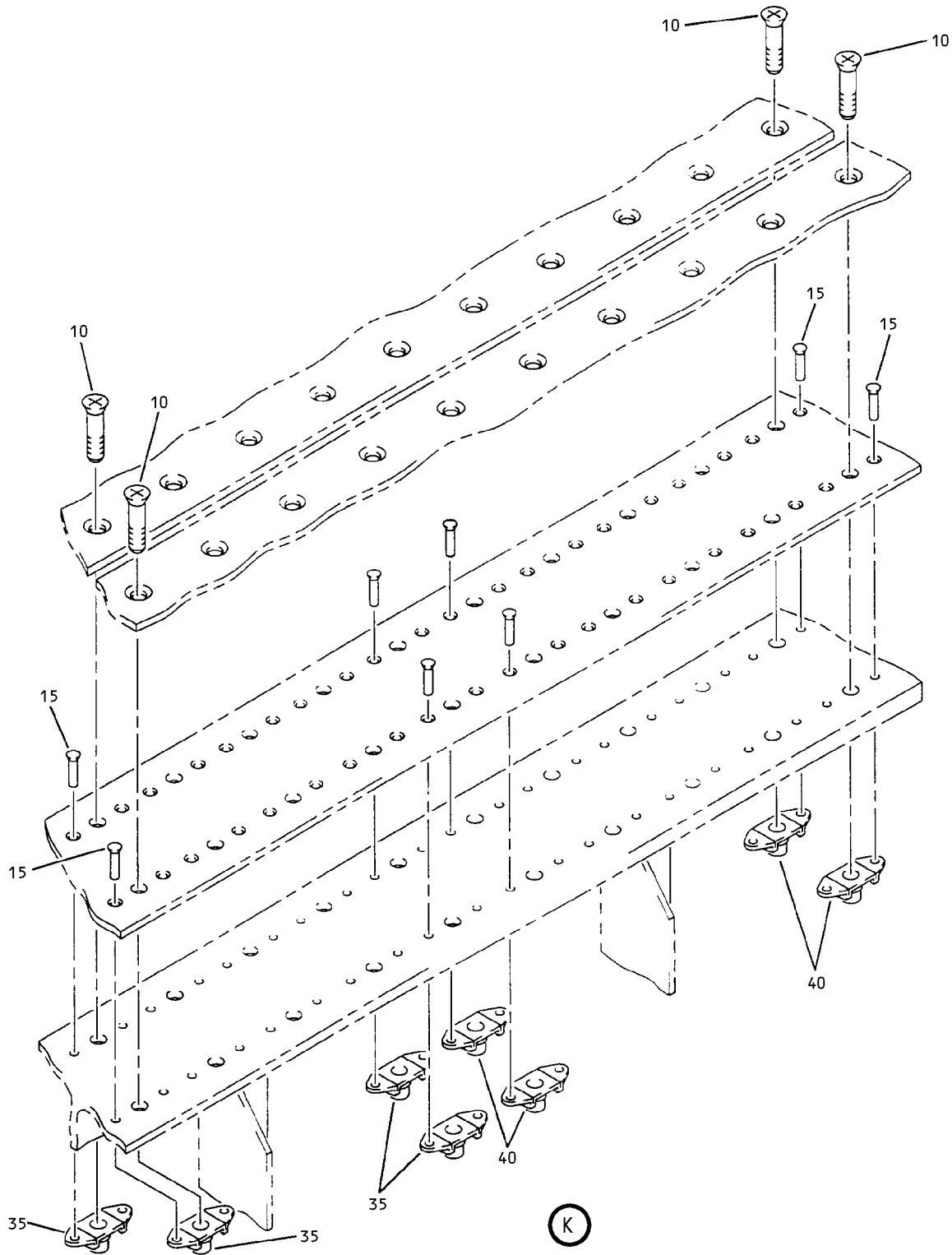
ILLUSTRATED PARTS LIST
01.1 Page 1068H
Nov 01/04



Mid Spar Installation
Figure 11 (Sheet 10)

57-53-51

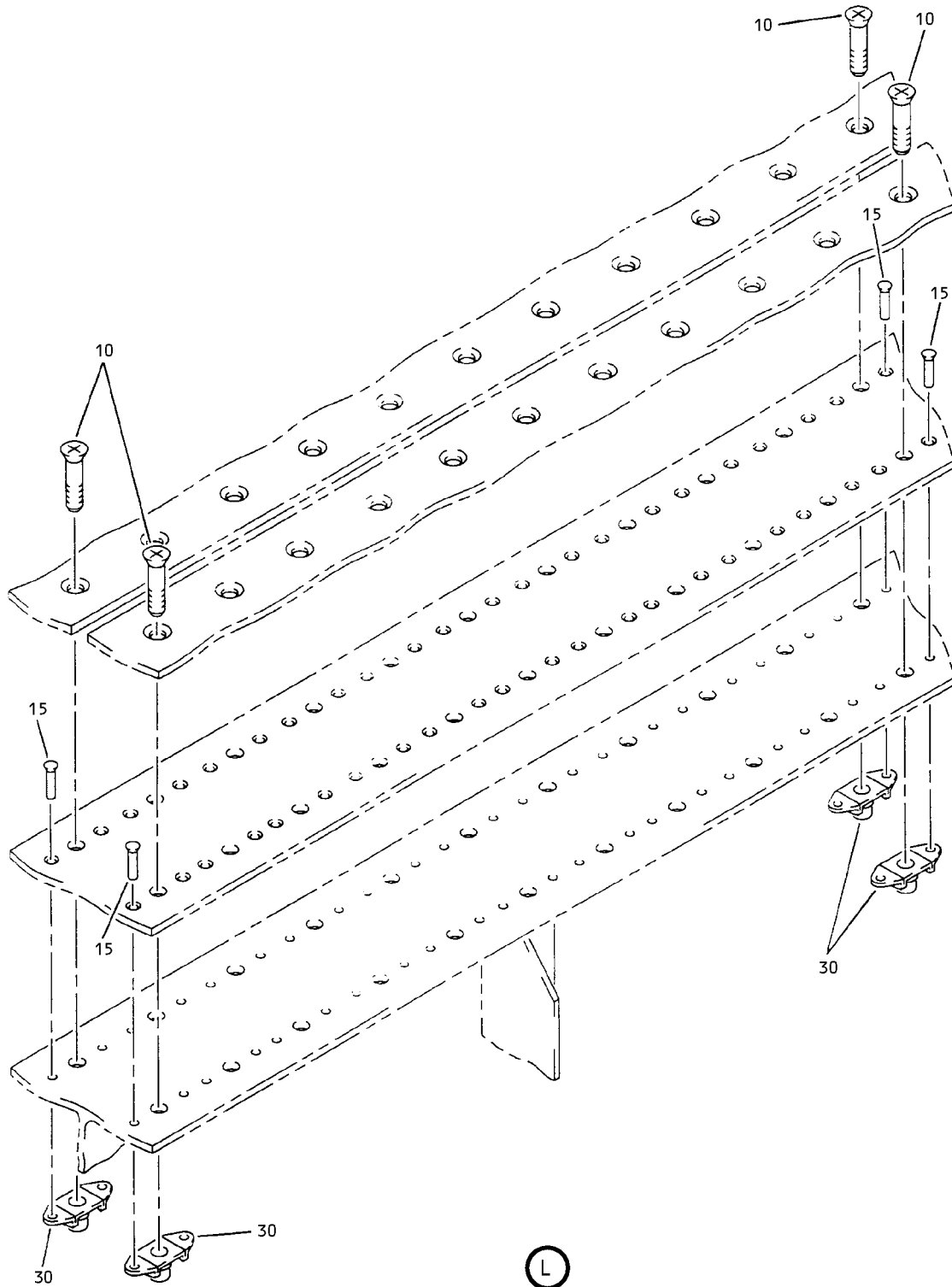
ILLUSTRATED PARTS LIST
01.1 Page 1068I
Nov 01/04



Mid Spar Installation
Figure 11 (Sheet 11)

57-53-51

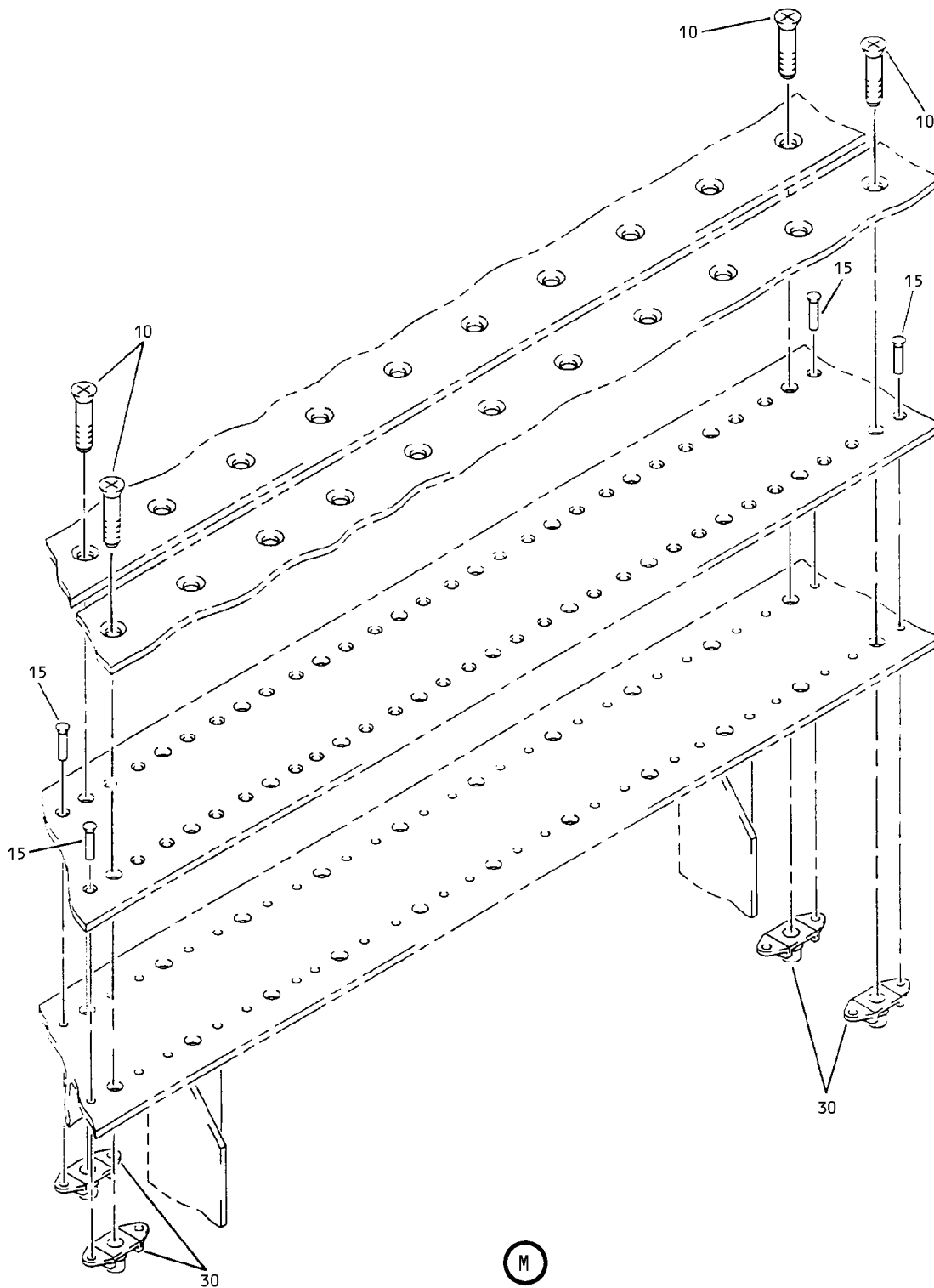
ILLUSTRATED PARTS LIST
01.1 Page 1068J
Nov 01/04



Mid Spar Installation
Figure 11 (Sheet 12)

57-53-51

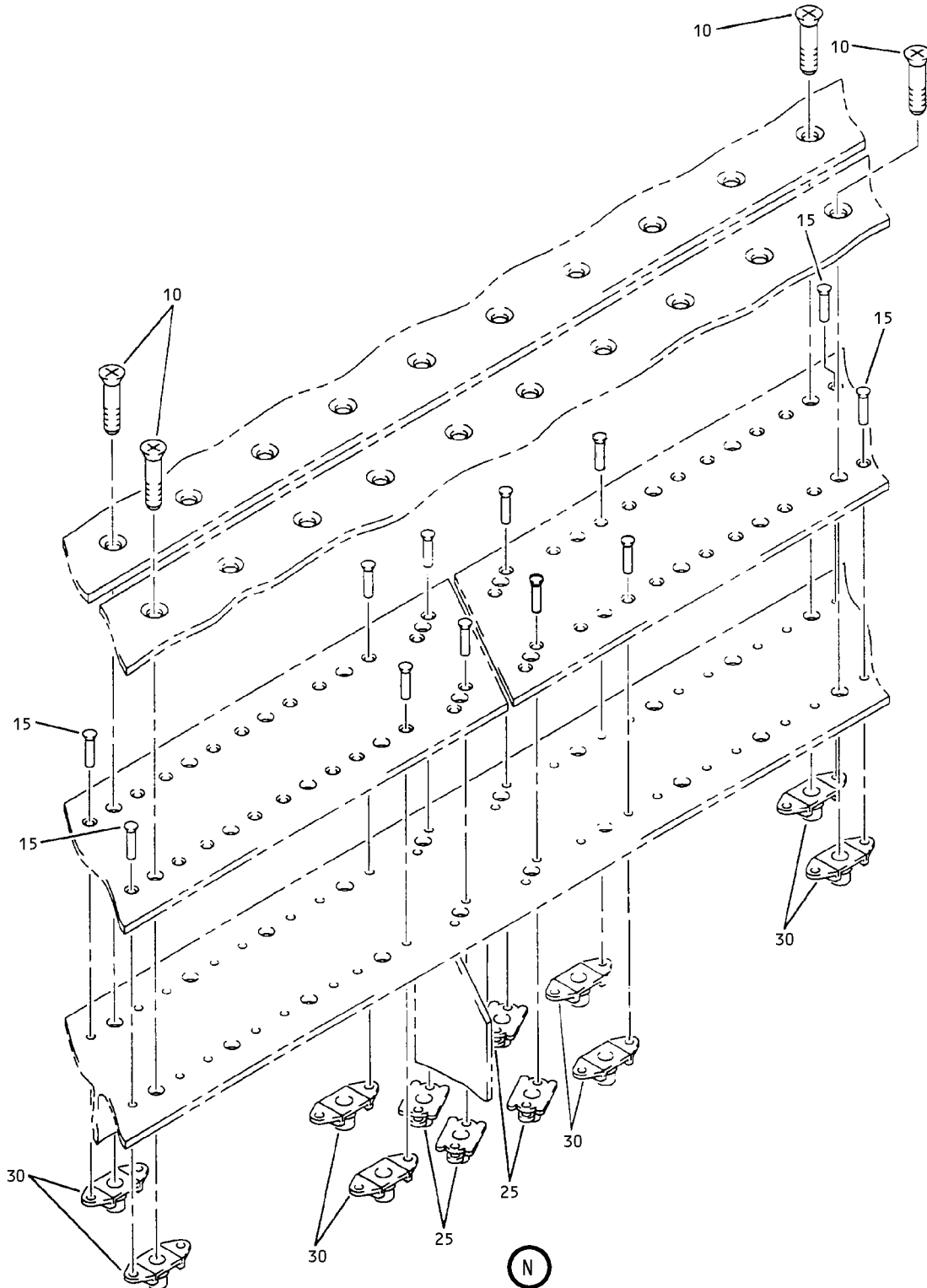
ILLUSTRATED PARTS LIST
01.1 Page 1068K
Nov 01/04



Mid Spar Installation
Figure 11 (Sheet 13)

57-53-51

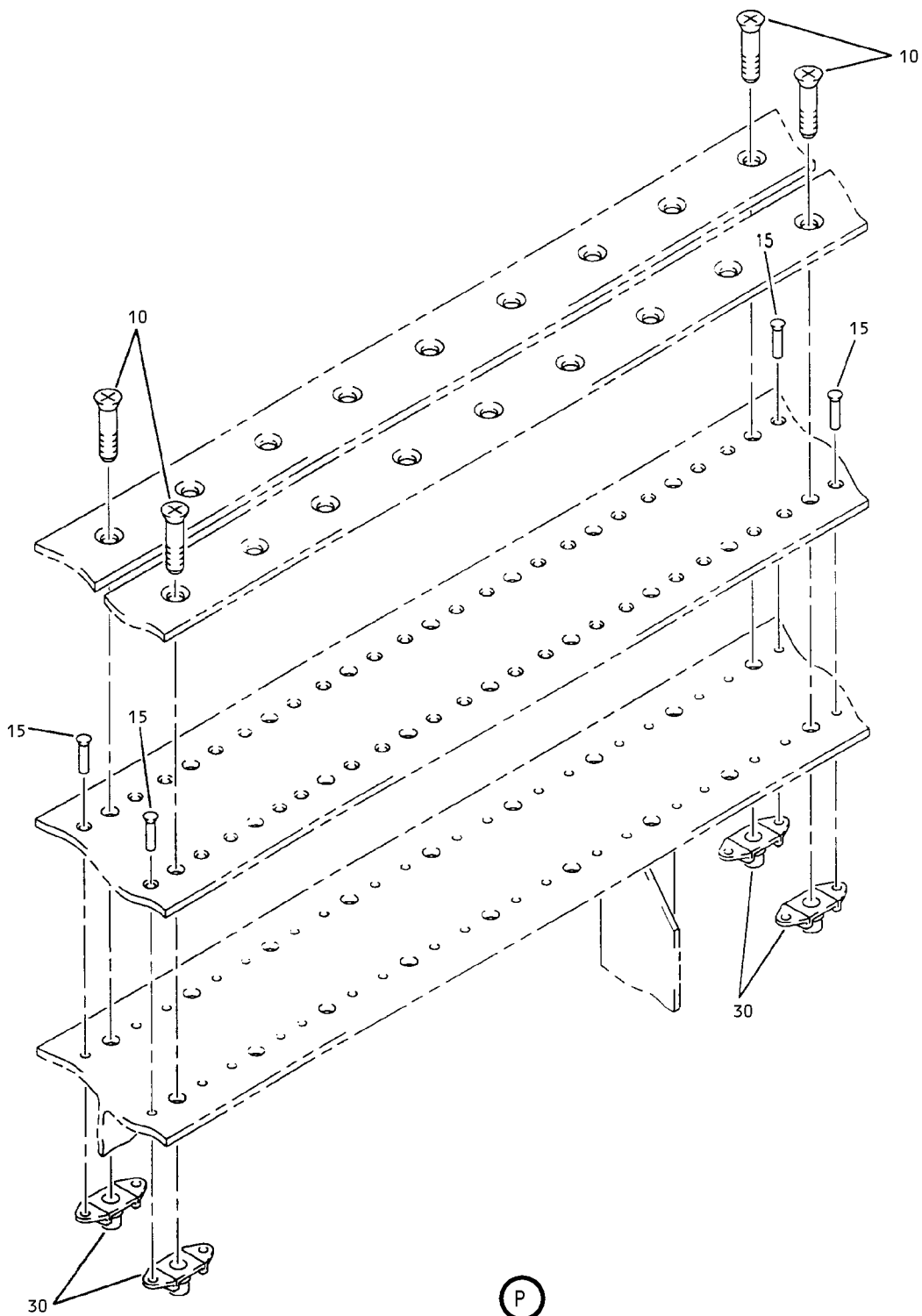
ILLUSTRATED PARTS LIST
01.1 Page 1068L
Nov 01/04



Mid Spar Installation
Figure 11 (Sheet 14)

57-53-51

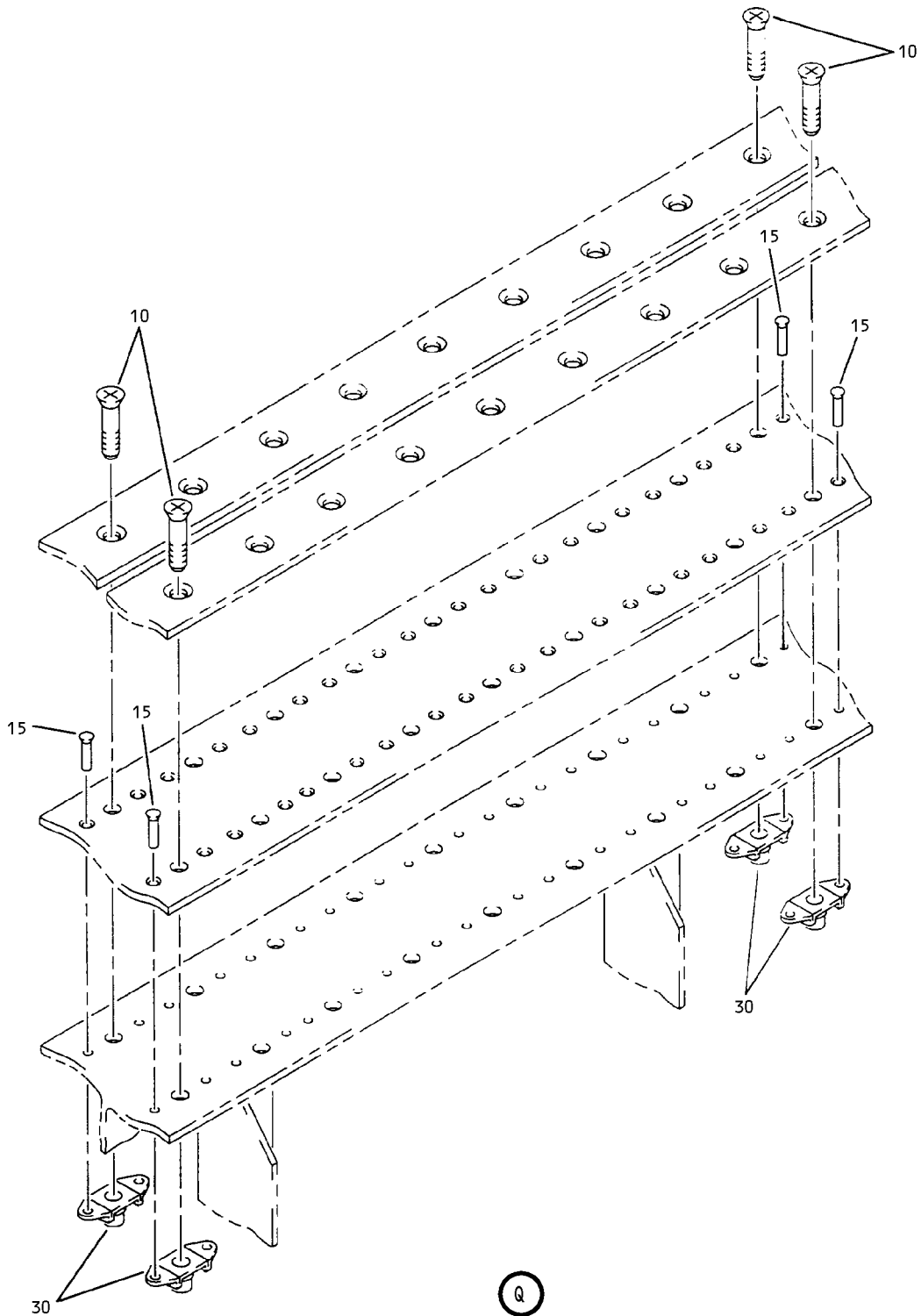
ILLUSTRATED PARTS LIST
01.1 Page 1068M
Nov 01/04



Mid Spar Installation
Figure 11 (Sheet 15)

57-53-51

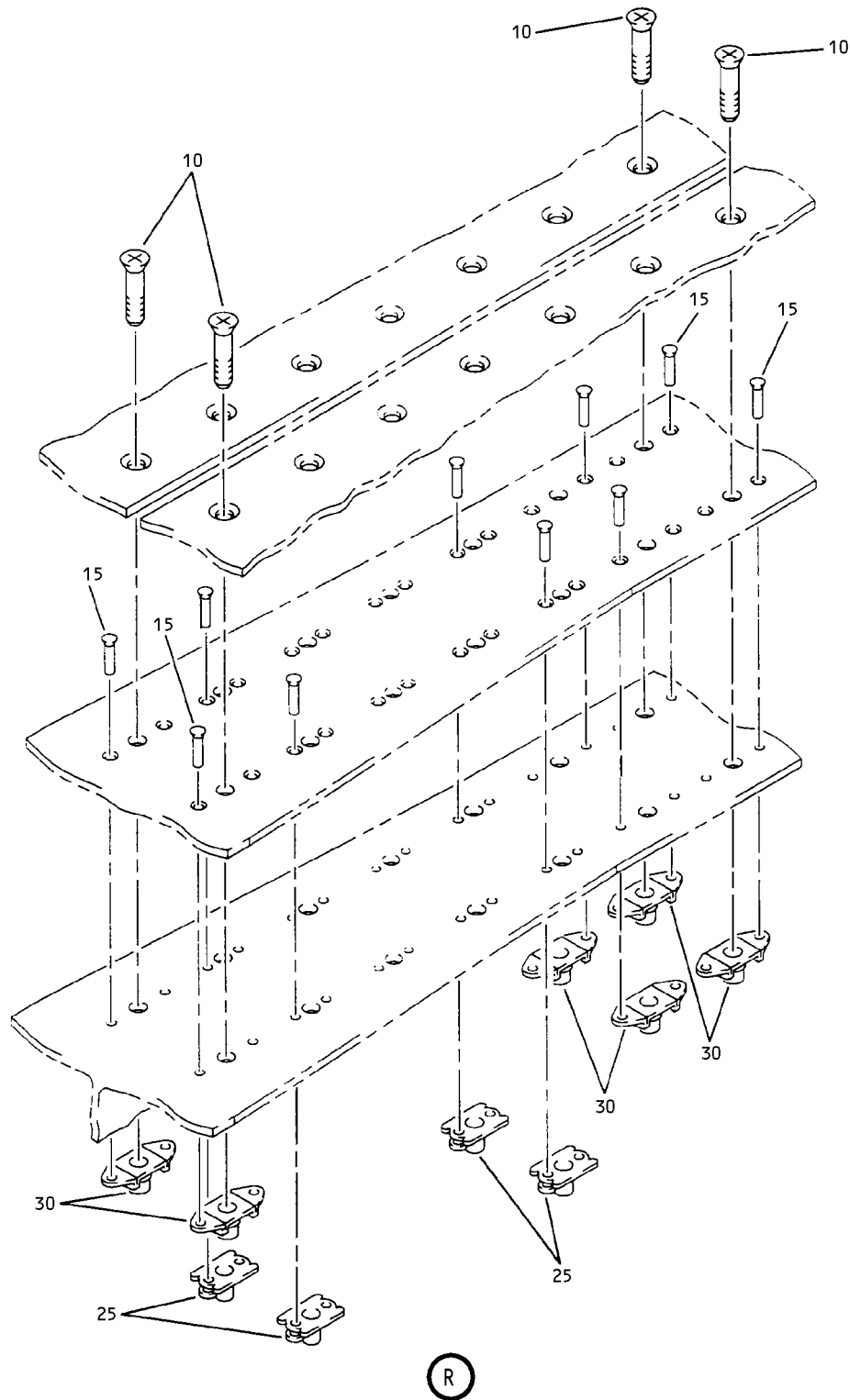
ILLUSTRATED PARTS LIST
01.1 Page 1068N
Nov 01/04



Mid Spar Installation
Figure 11 (Sheet 16)

57-53-51

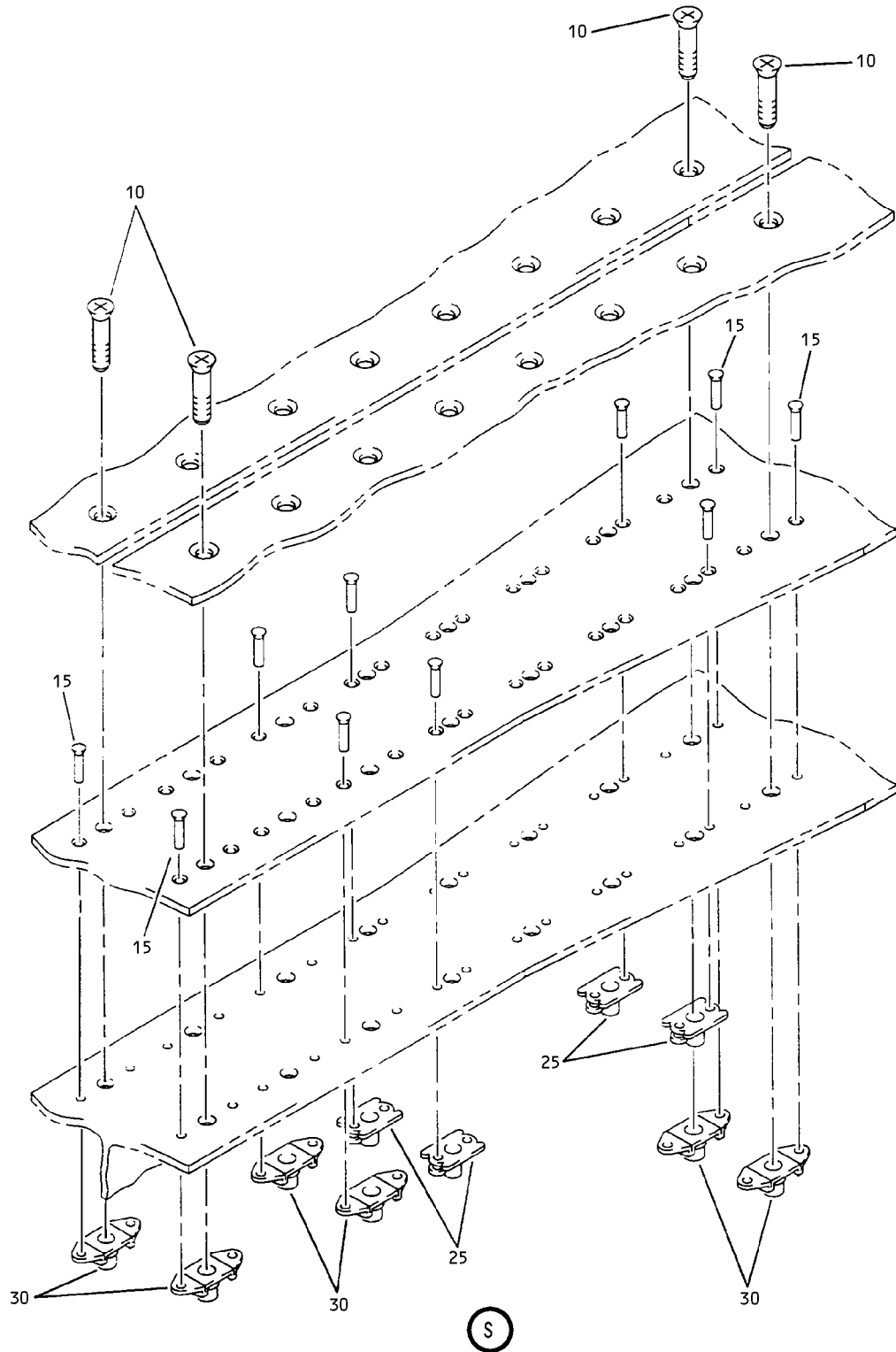
ILLUSTRATED PARTS LIST
01.1 Page 10680
Nov 01/04



Mid Spar Installation
Figure 11 (Sheet 17)

57-53-51

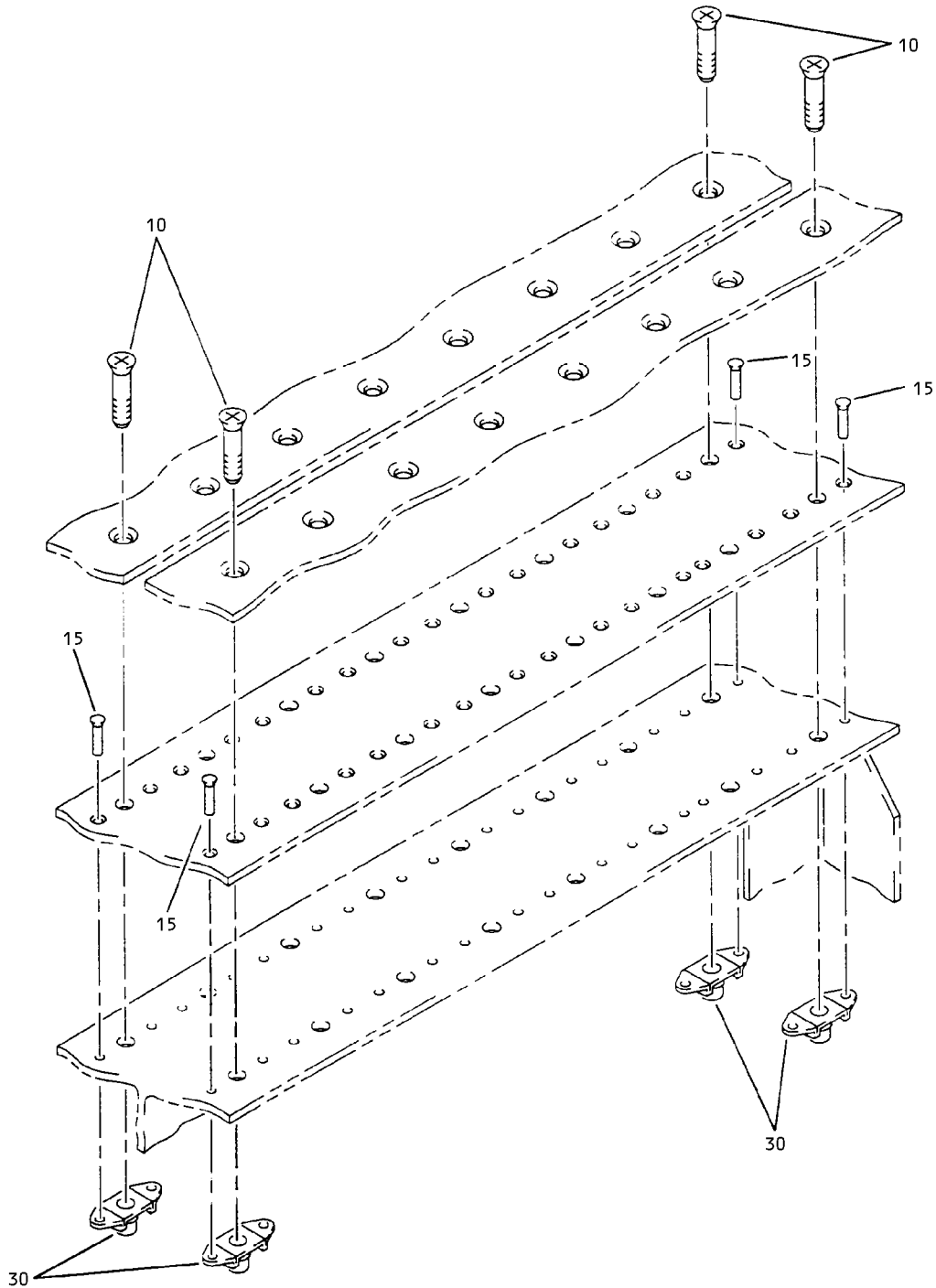
ILLUSTRATED PARTS LIST
01.1 Page 1068P
Nov 01/04



Mid Spar Installation
Figure 11 (Sheet 18)

57-53-51

ILLUSTRATED PARTS LIST
01.1 Page 1068Q
Nov 01/04

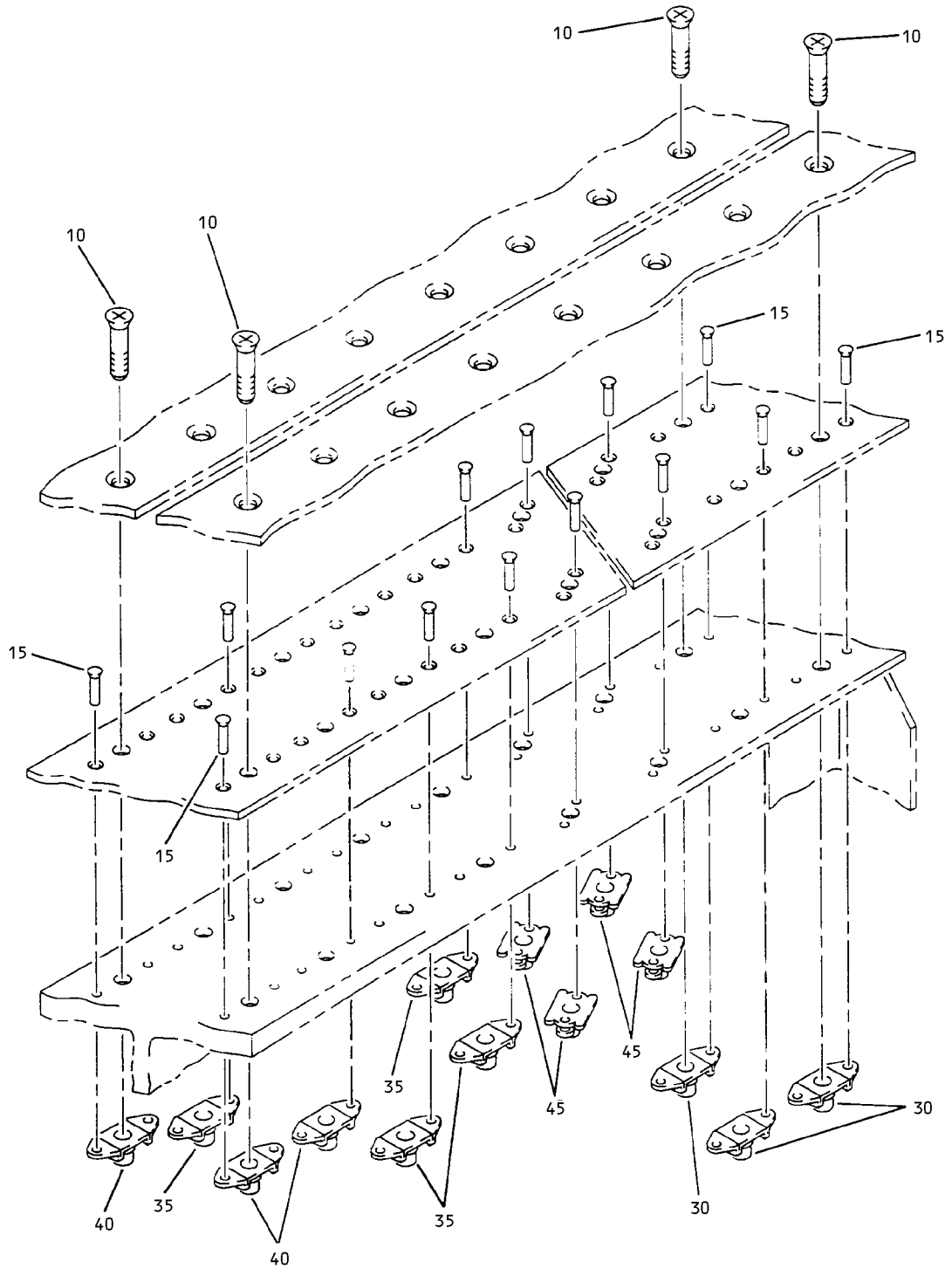


(T)

Mid Spar Installation
Figure 11 (Sheet 19)

57-53-51

ILLUSTRATED PARTS LIST
01.1 Page 1068R
Nov 01/04

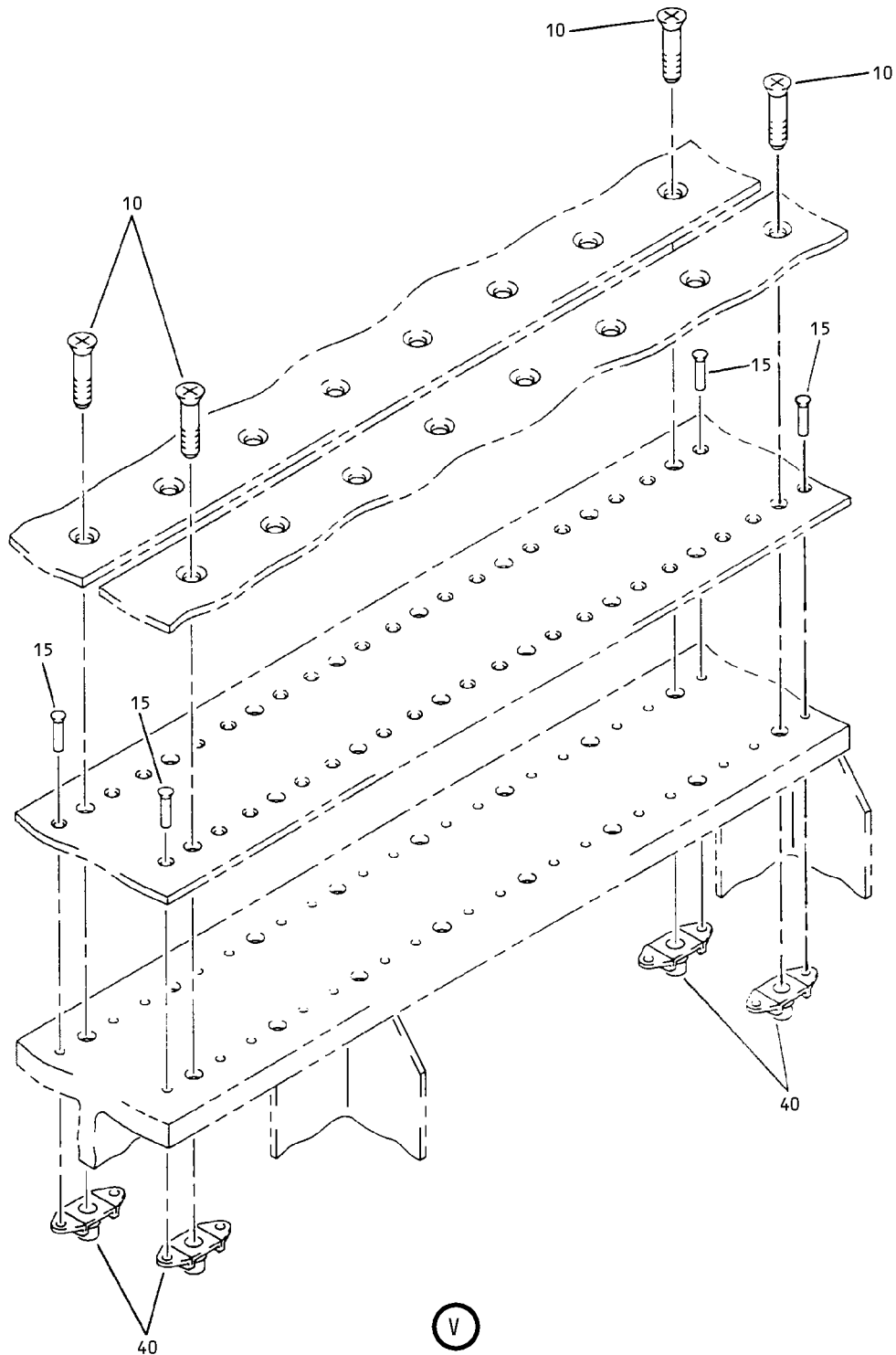


U

Mid Spar Installation
Figure 11 (Sheet 20)

57-53-51

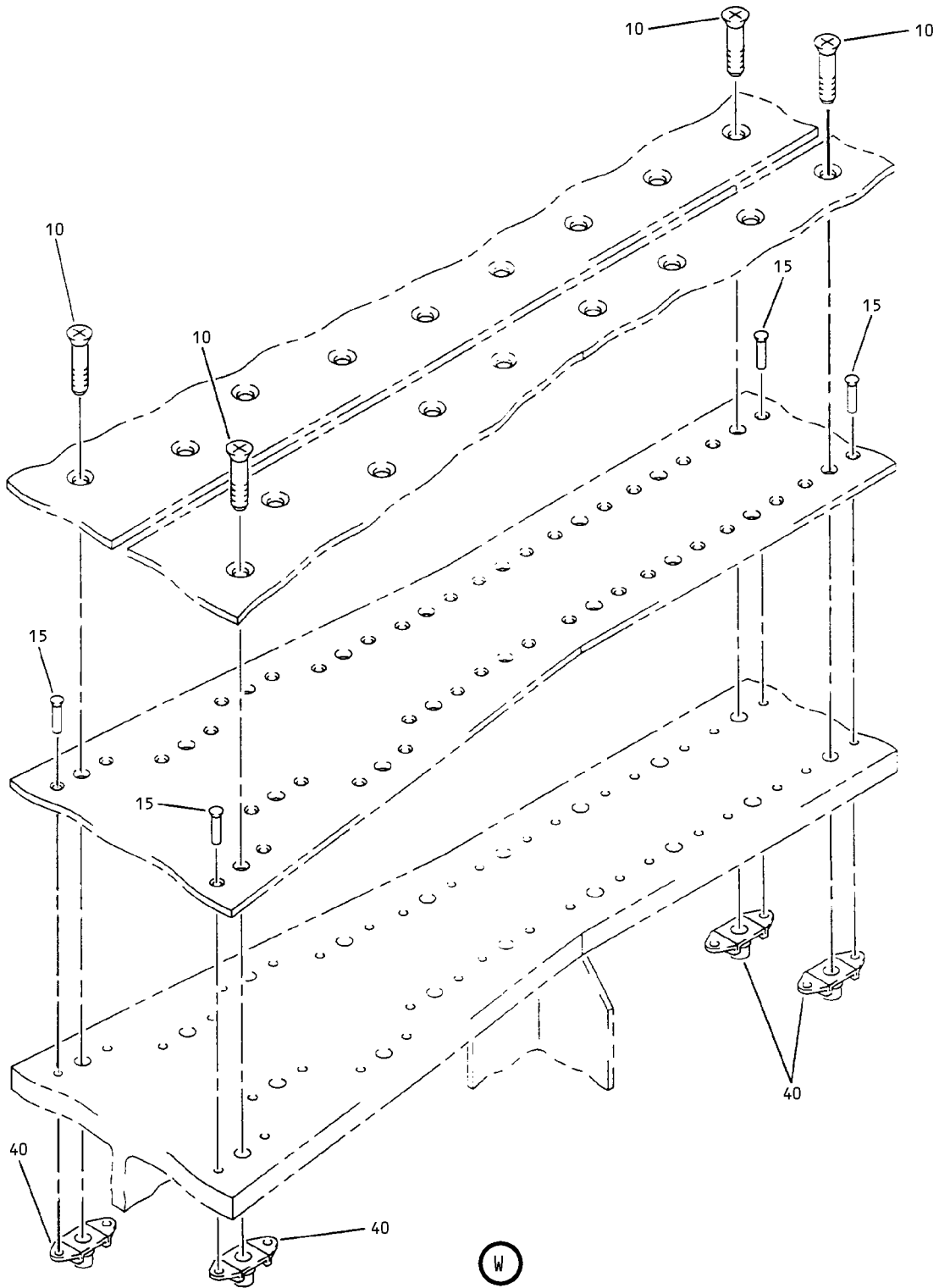
ILLUSTRATED PARTS LIST
01.1 Page 1068S
Nov 01/04



Mid Spar Installation
Figure 11 (Sheet 21)

57-53-51

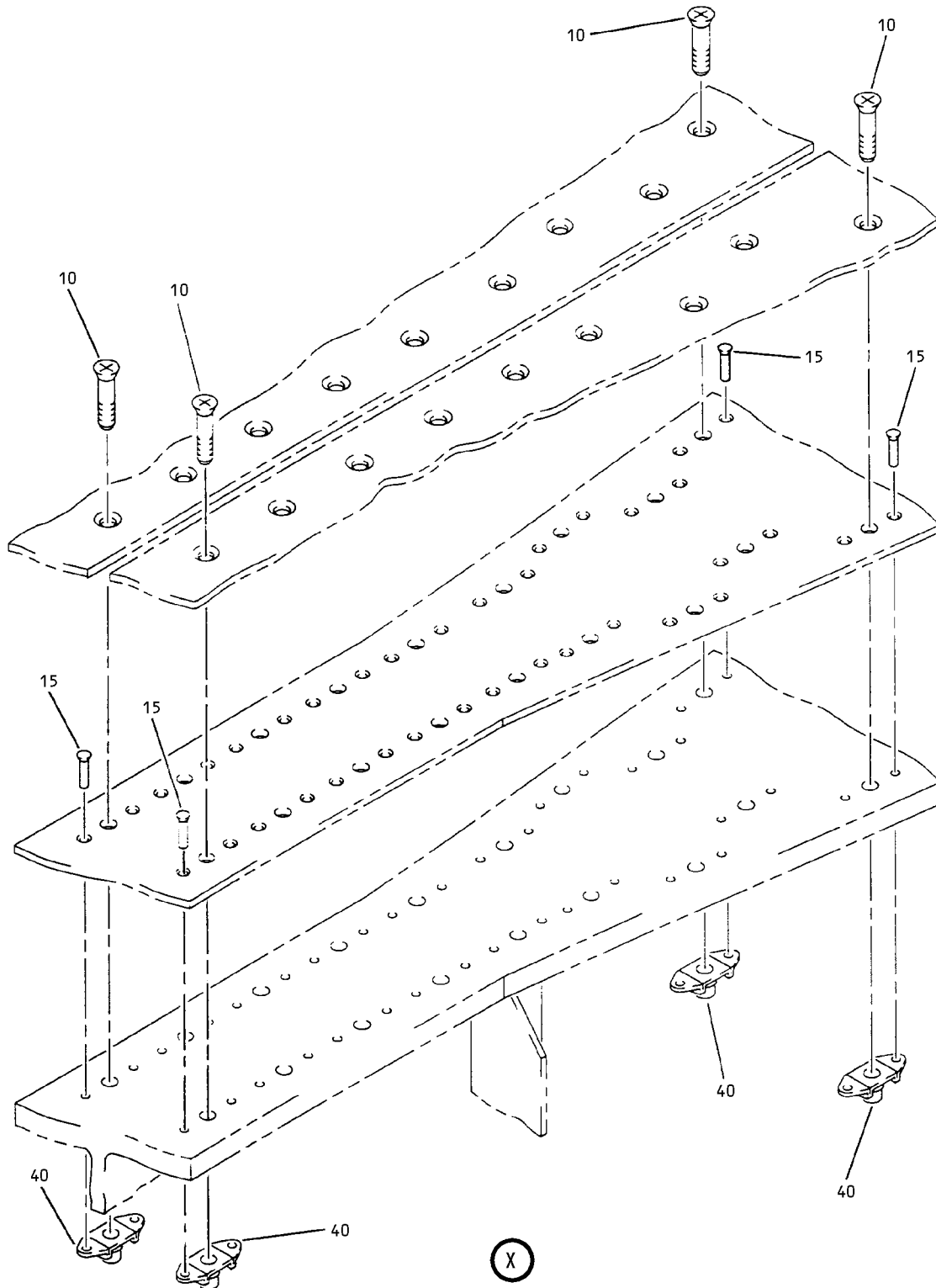
ILLUSTRATED PARTS LIST
01.1 Page 1068T
Nov 01/04



Mid Spar Installation
Figure 11 (Sheet 22)

57-53-51

ILLUSTRATED PARTS LIST
01.1 Page 1068U
Nov 01/04

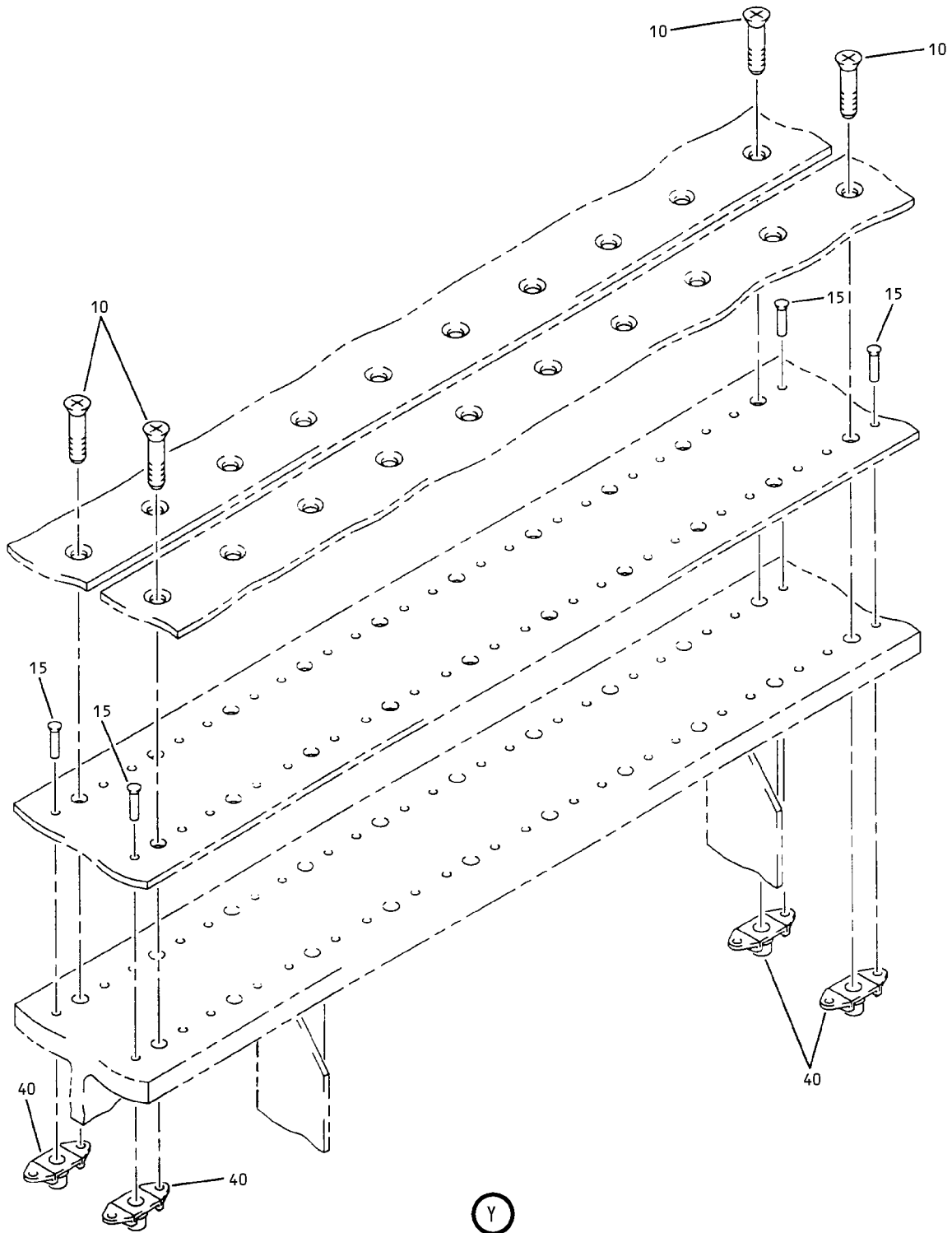


Mid Spar Installation
Figure 11 (Sheet 23)

K33888

57-53-51

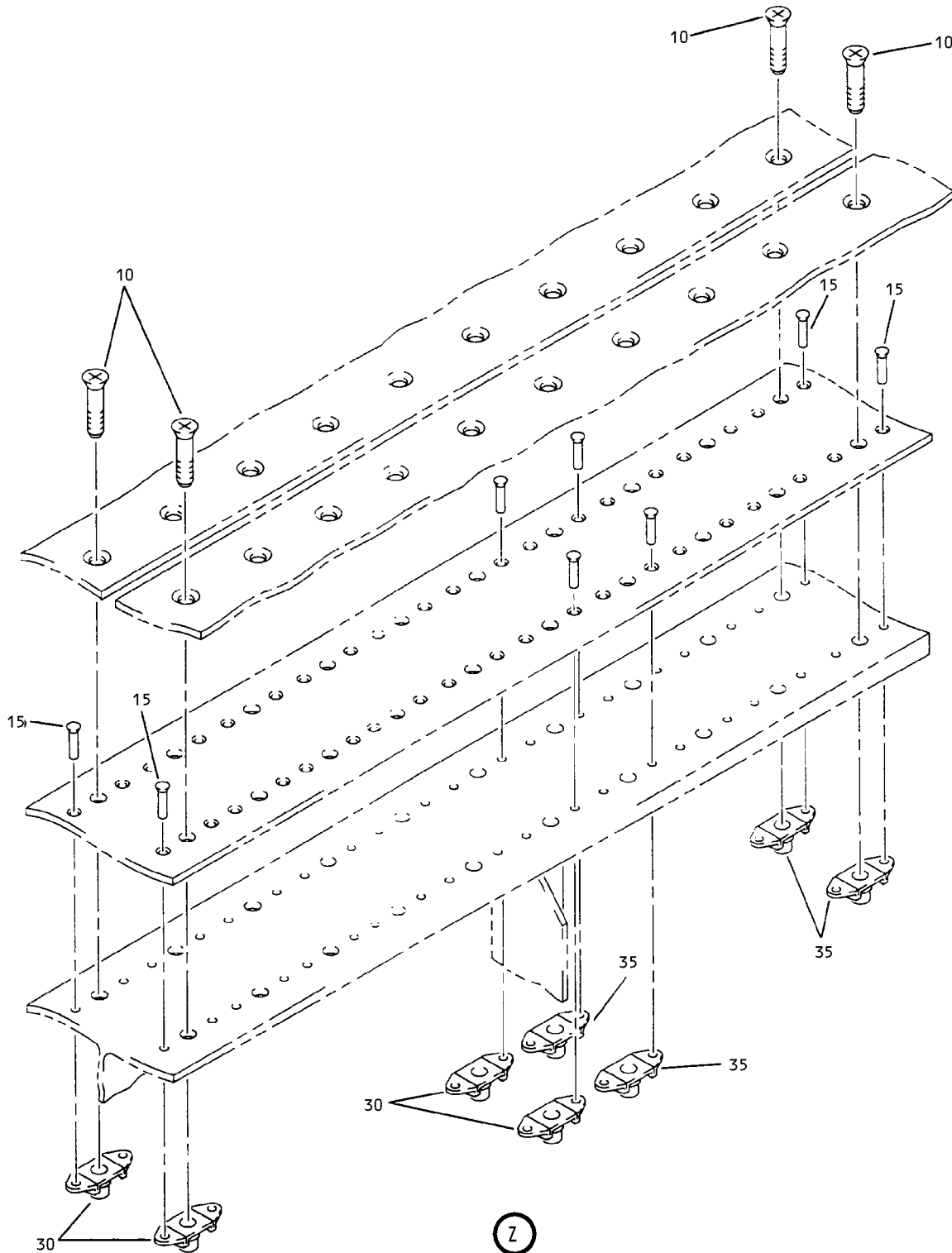
ILLUSTRATED PARTS LIST
01.1 Page 1068V
Nov 01/04



Mid Spar Installation
Figure 11 (Sheet 24)

57-53-51

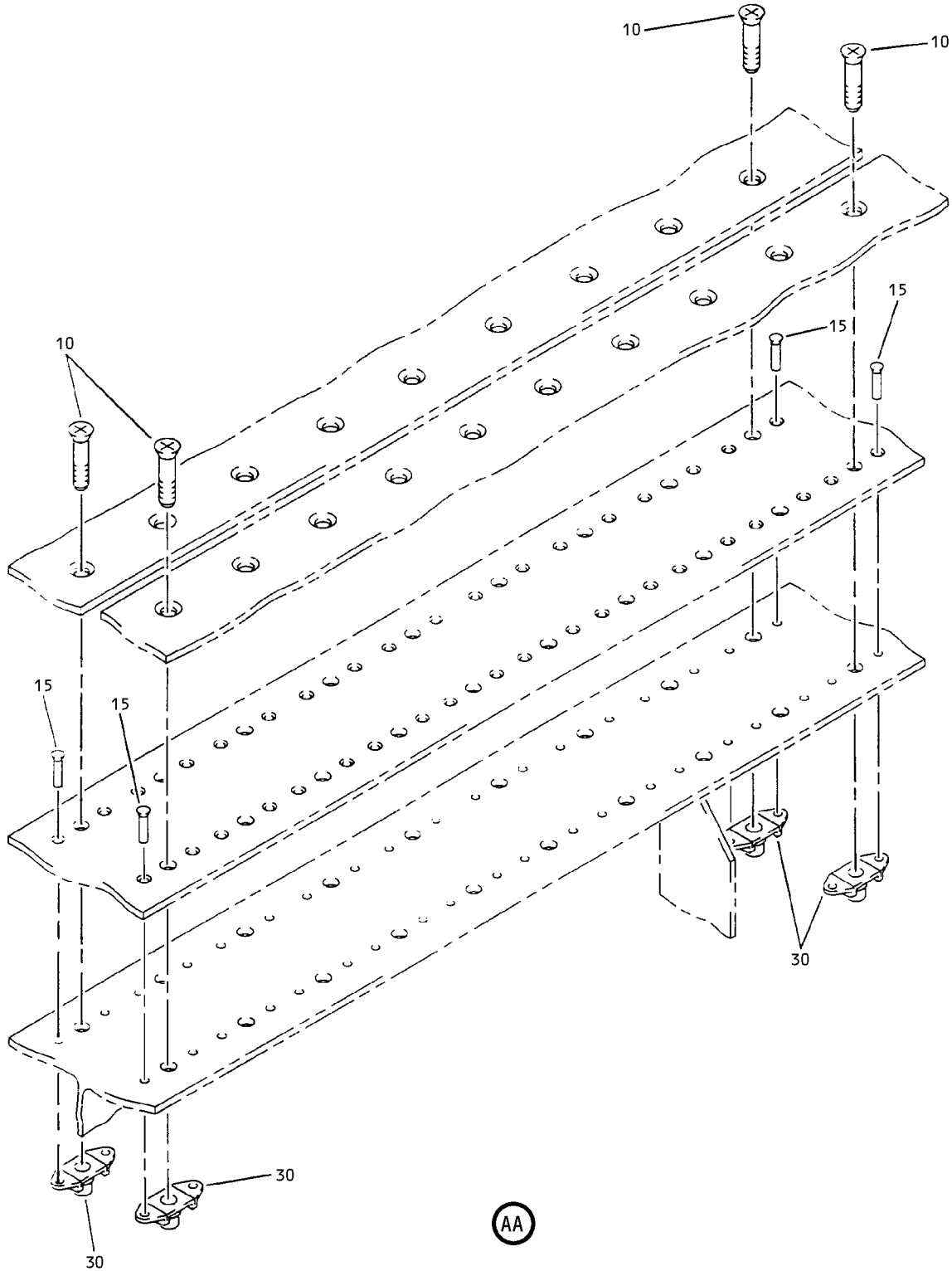
ILLUSTRATED PARTS LIST
01.1 Page 1068W
Nov 01/04



Mid Spar Installation
Figure 11 (Sheet 25)

57-53-51

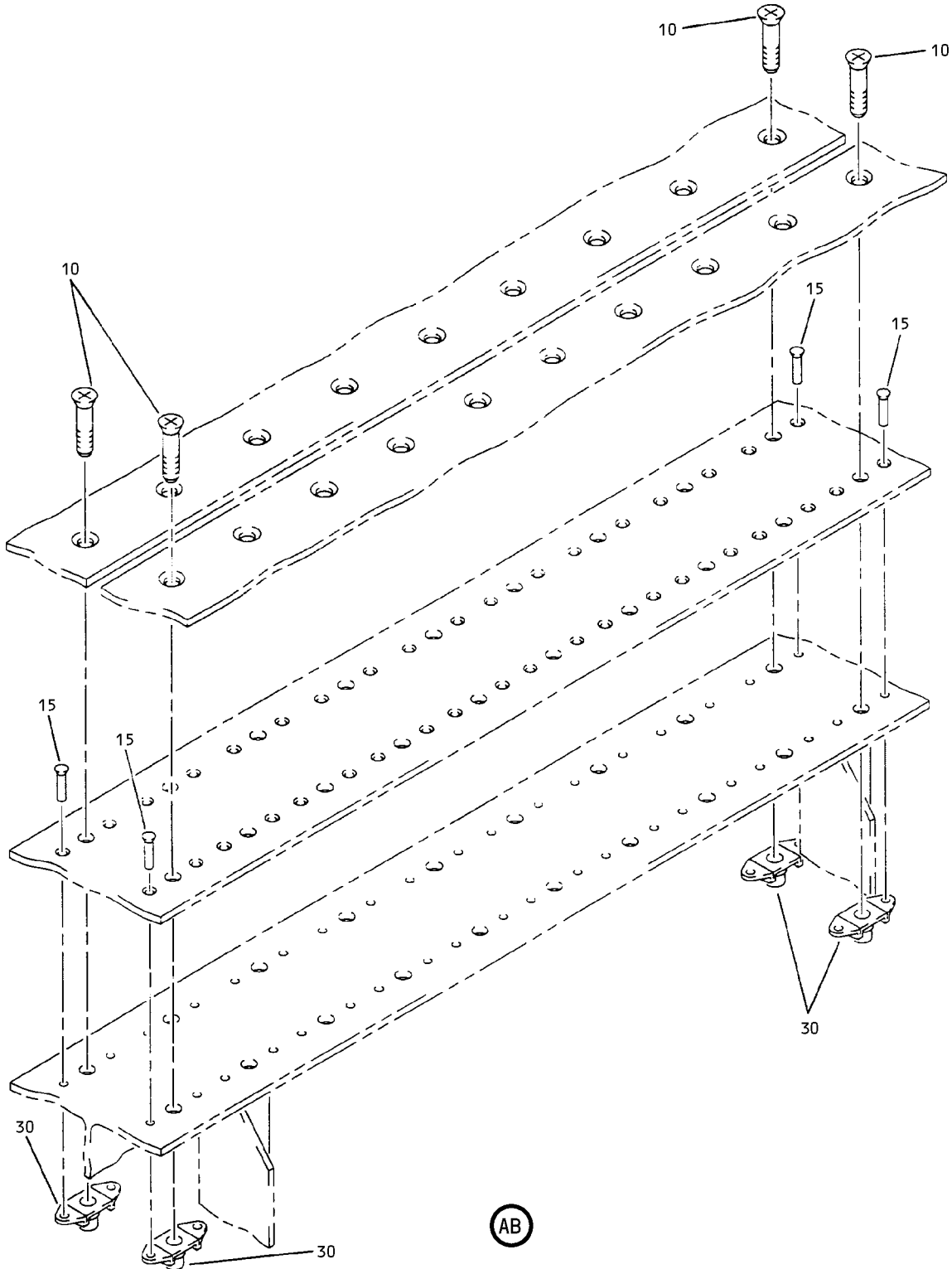
ILLUSTRATED PARTS LIST
01.1 Page 1068X
Nov 01/04



Mid Spar Installation
Figure 11 (Sheet 26)

57-53-51

ILLUSTRATED PARTS LIST
01.1 Page 1068Y
Nov 01/04

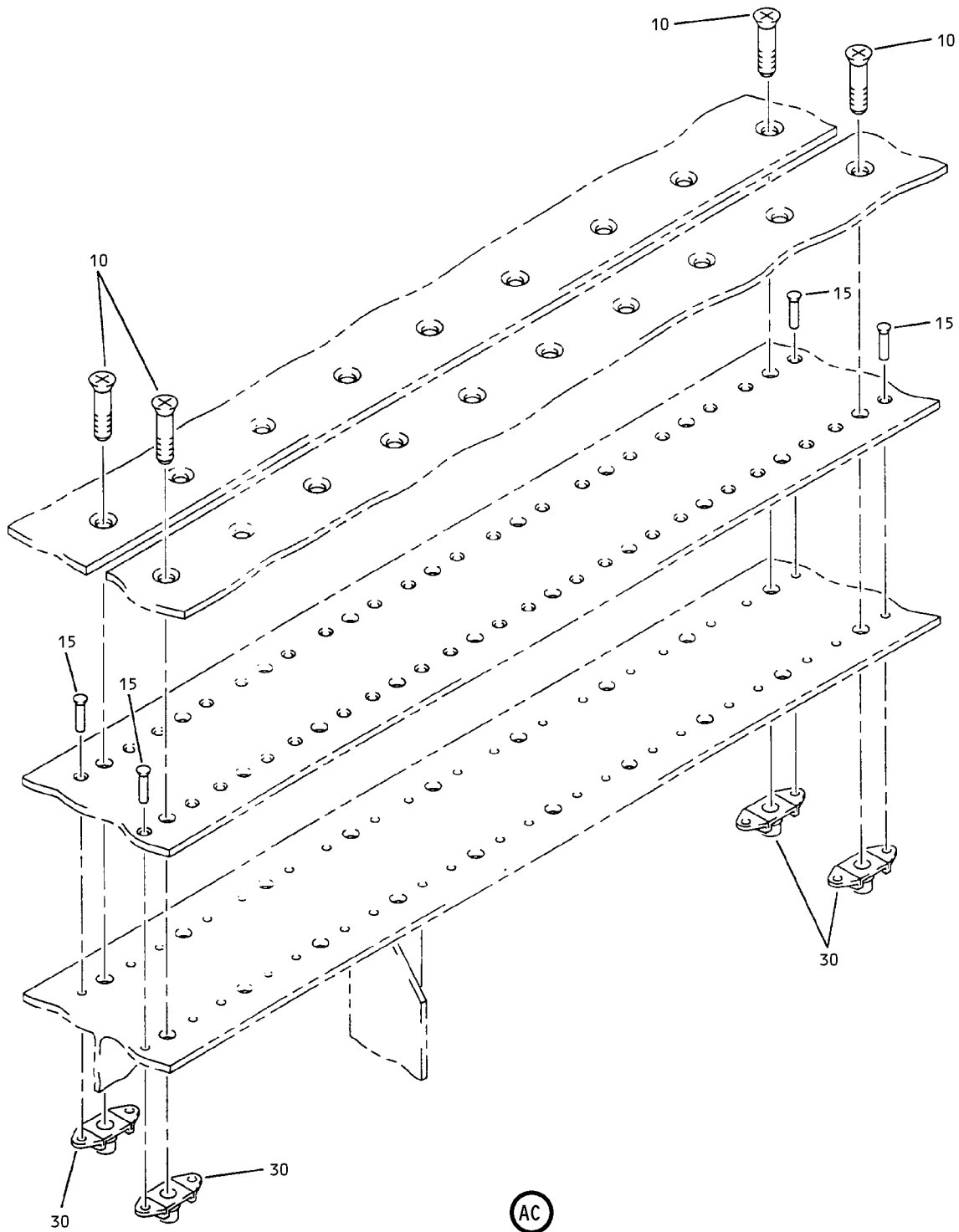


(AB)

Mid Spar Installation
Figure 11 (Sheet 27)

57-53-51

ILLUSTRATED PARTS LIST
01.1 Page 1068Z
Nov 01/04



AC

Mid Spar Installation
Figure 11 (Sheet 28)

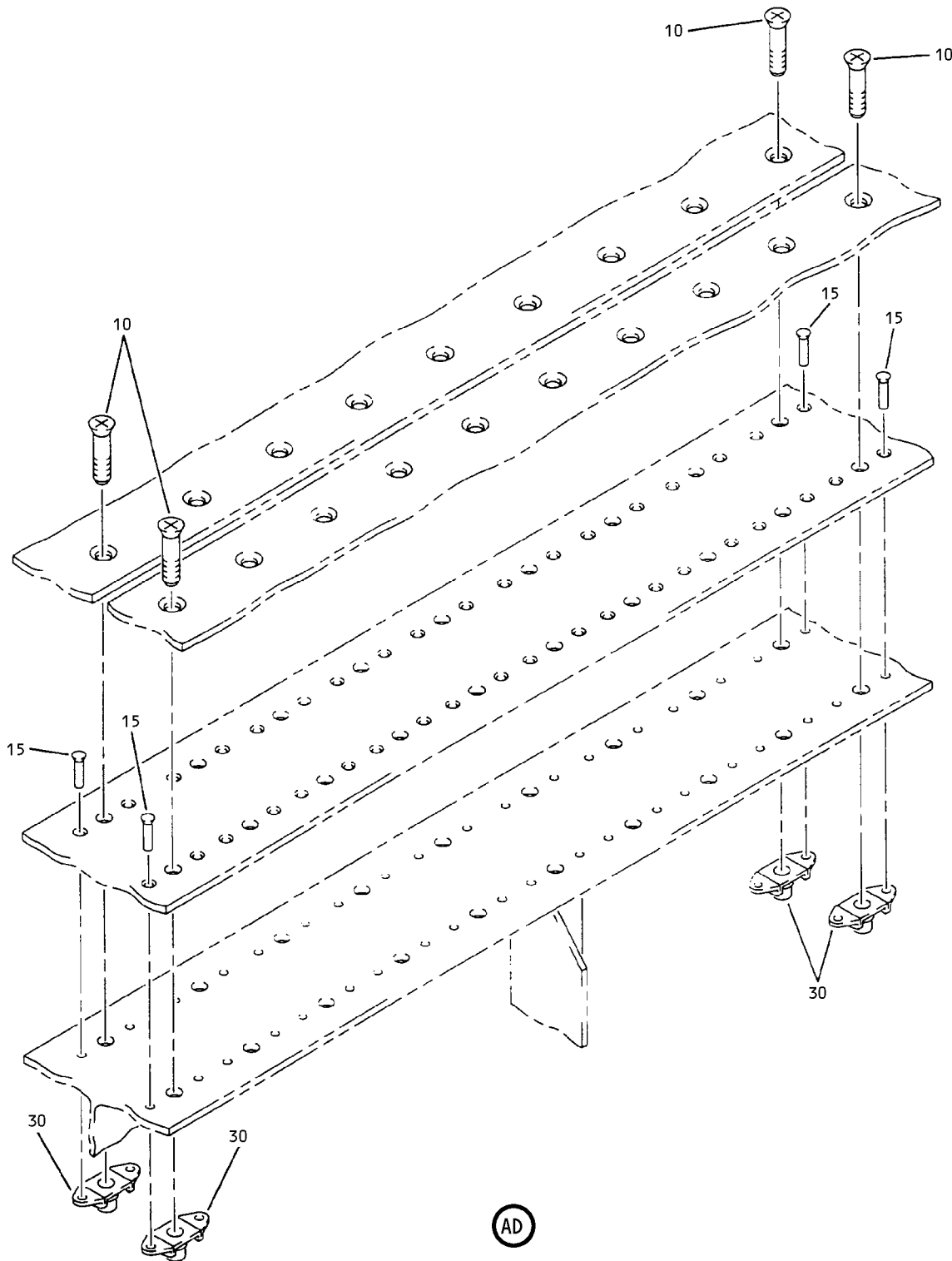
57-53-51

ILLUSTRATED PARTS LIST

01.1

Page 1069

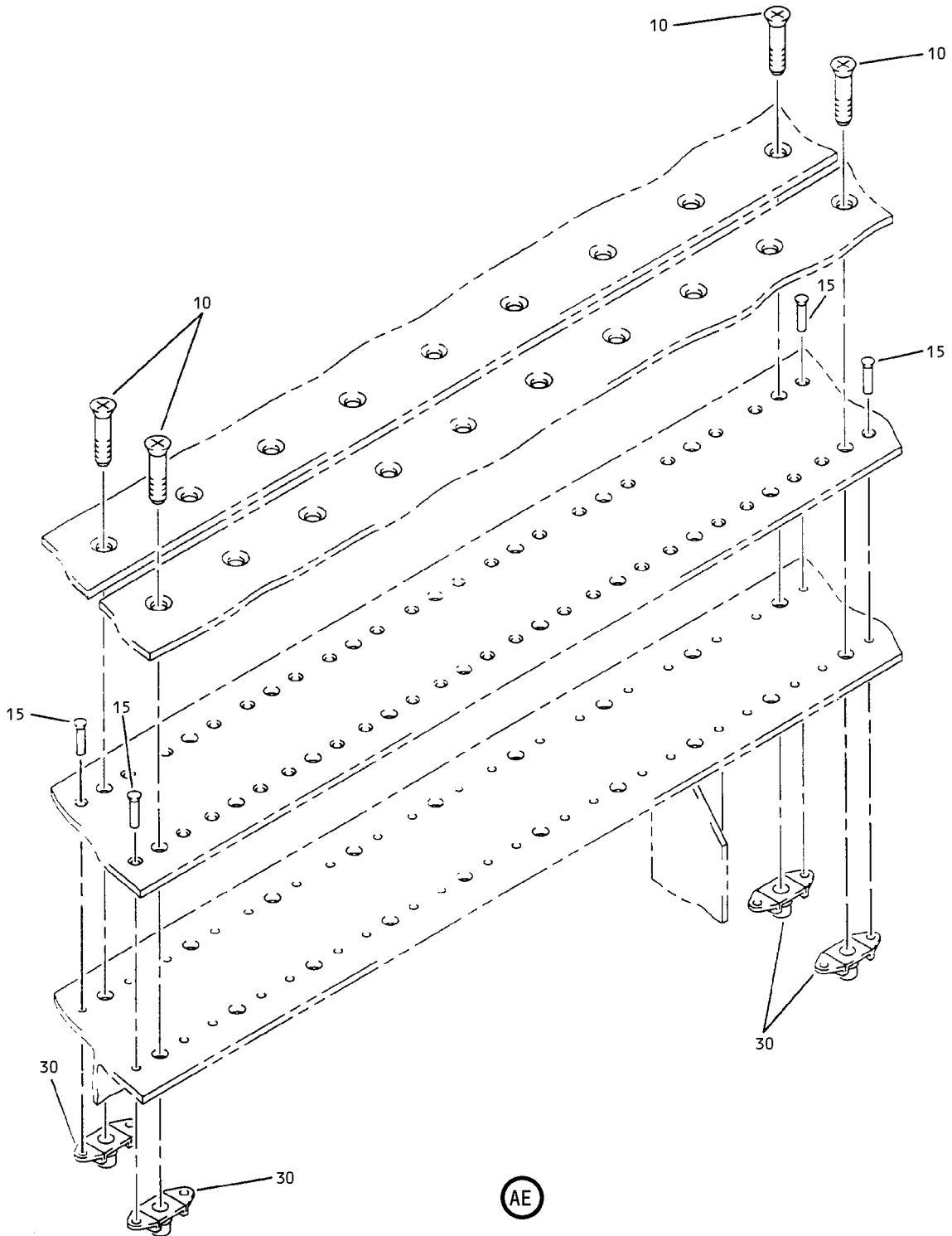
Nov 01/04



Mid Spar Installation
Figure 11 (Sheet 29)

57-53-51

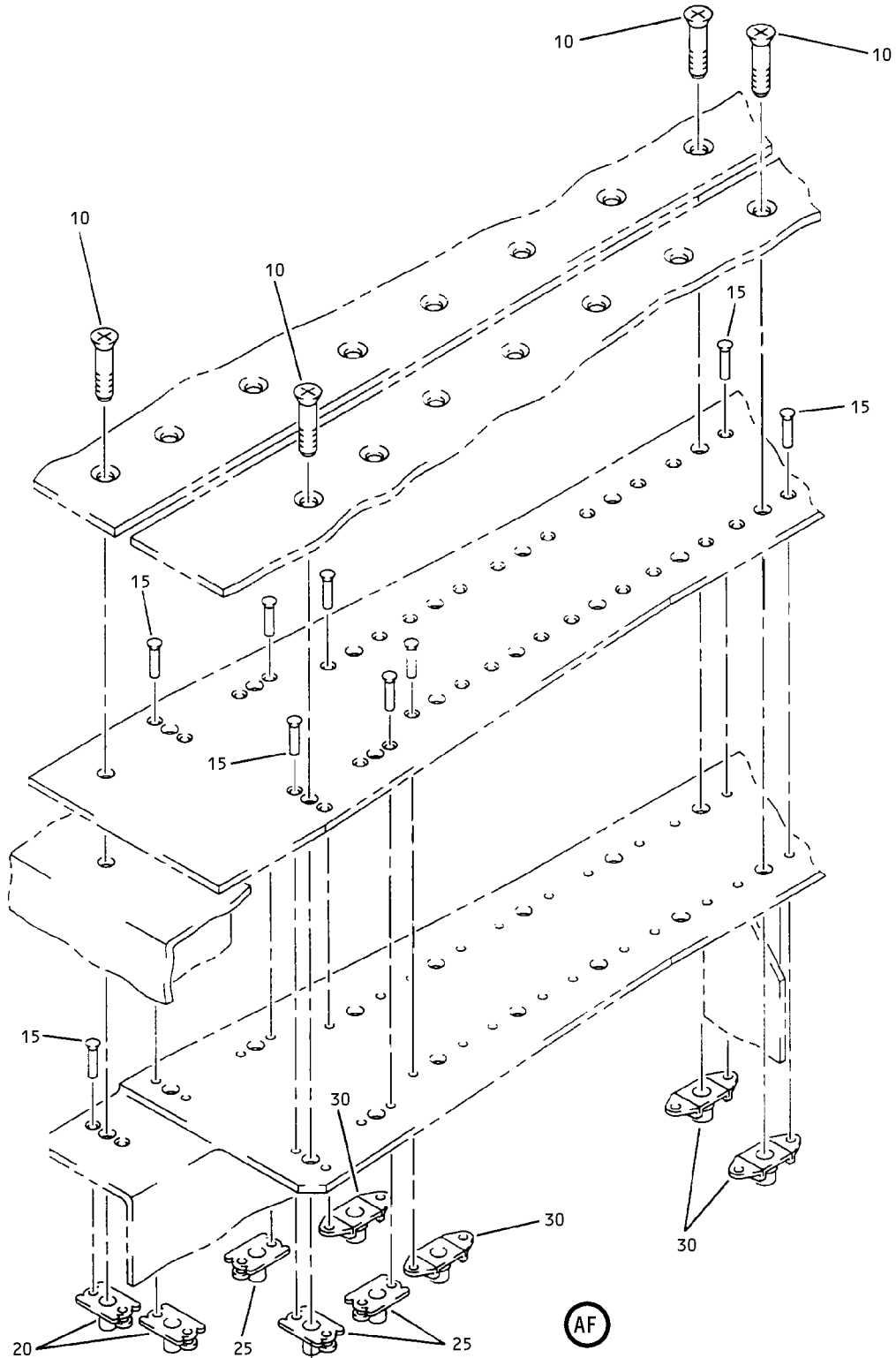
ILLUSTRATED PARTS LIST
01.1 Page 1070
Nov 01/04



Mid Spar Installation
Figure 11 (Sheet 30)

57-53-51

ILLUSTRATED PARTS LIST
01.1 Page 1070A
Nov 01/04



Mid Spar Installation
Figure 11 (Sheet 31)

57-53-51

ILLUSTRATED PARTS LIST
01.1 Page 1070B
Nov 01/04


BOEING
 COMPONENT
 MAINTENANCE MANUAL

FIG. & ITEM	PART NO.	AIRLINE PART NUMBER	NOMENCLATURE 1234567	EFF CODE	QTY PER ASSY
11-					
-1A	113T3120-401		SPAR INSTL-MID	AK, BB	RF
-5	113T3120-402		SPAR INSTL-MID	AM, BC	RF
10	BACB30NN3K8		.BOLT	AK, AM , BB, B C	680
15	BACR15BA3AD		.RIVET- (SIZE DETERMINE ON INST)	AK, AM , BB, B C	999
20	MF19058-3-2BAC		.NUTPLATE- (V15653) (SPEC BACN10YF32)	AK, AM , BB, B C	5
25	MF19058-3-4BAC		.NUTPLATE- (V15653) (SPEC BACN10YF34)	AK, AM , BB, B C	25
30	NS103191-02-4		.NUTPLATE- (V80539) (SPEC BACN10KE3B4) (OPT RMF9213-4-3 (V72962)) (OPT F51750-3-4 (V15653)) (OPT BRFR220A3-4 (V52828))	AK, AM , BB, B C	364
35	NS103191-02-3		.NUTPLATE- (V80539) (SPEC BACN10KE3B3) (OPT RMF9213-3-3 (V72962)) (OPT F51750-3-3 (V15653)) (OPT BRFR220A3-3 (V52828))	AK, AM , BB, B C	32

57-53-51

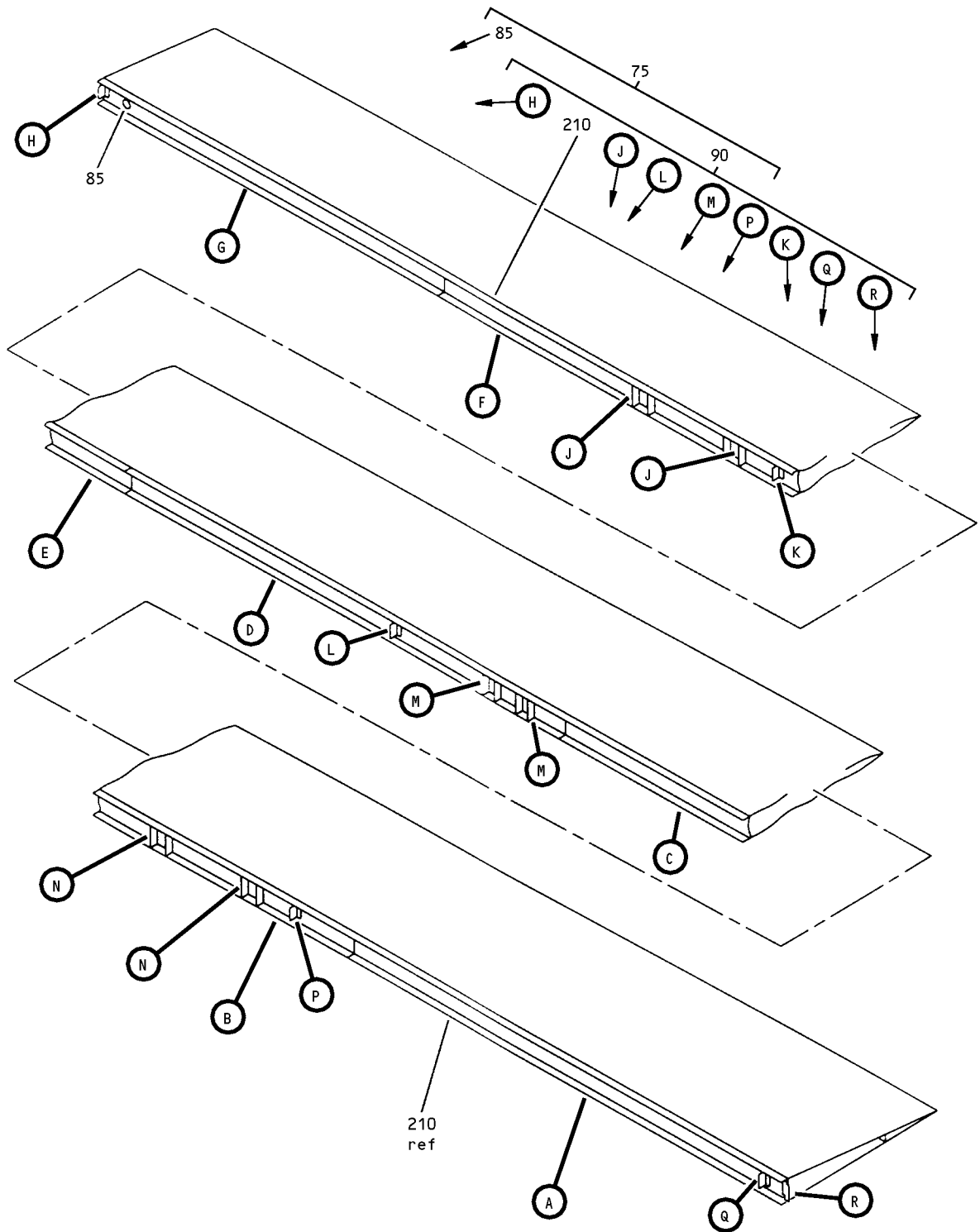
 ILLUSTRATED PARTS LIST
 01.1 Page 1070C
 Nov 01/04

FIG. & ITEM	PART NO.	AIRLINE PART NUMBER	NOMENCLATURE	EFF CODE	QTY PER ASSY
			1234567		
11-40	NS103191-02-2		.NUTPLATE- (V80539) (SPEC BACN10KE3B2) (OPT RMF9213-2-3 (V72962)) (OPT F51750-3-2 (V15653)) (OPT BRFR220A3-2 (V52825))	AK,AM ,BB,B C	250
45	MF19058-3-3BAC		.NUTPLATE- (V15653) (SPEC BACN10YF33)	AK,AM ,BB,B C	4

- Item Not Illustrated

57-53-51

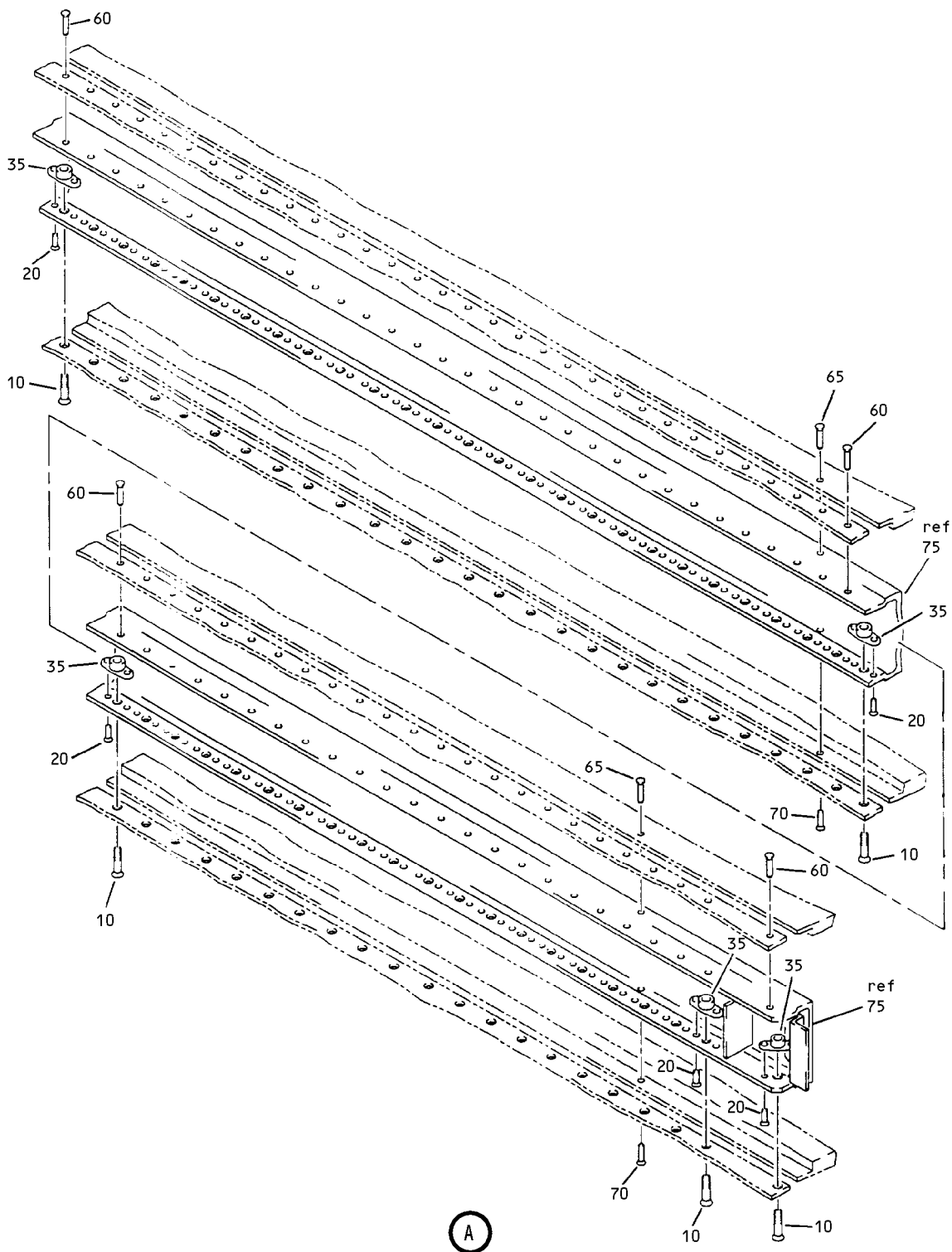
ILLUSTRATED PARTS LIST
 01.1 Page 1070D
 Nov 01/04



TE Wedge Installation
Figure 12 (Sheet 1)

57-53-51

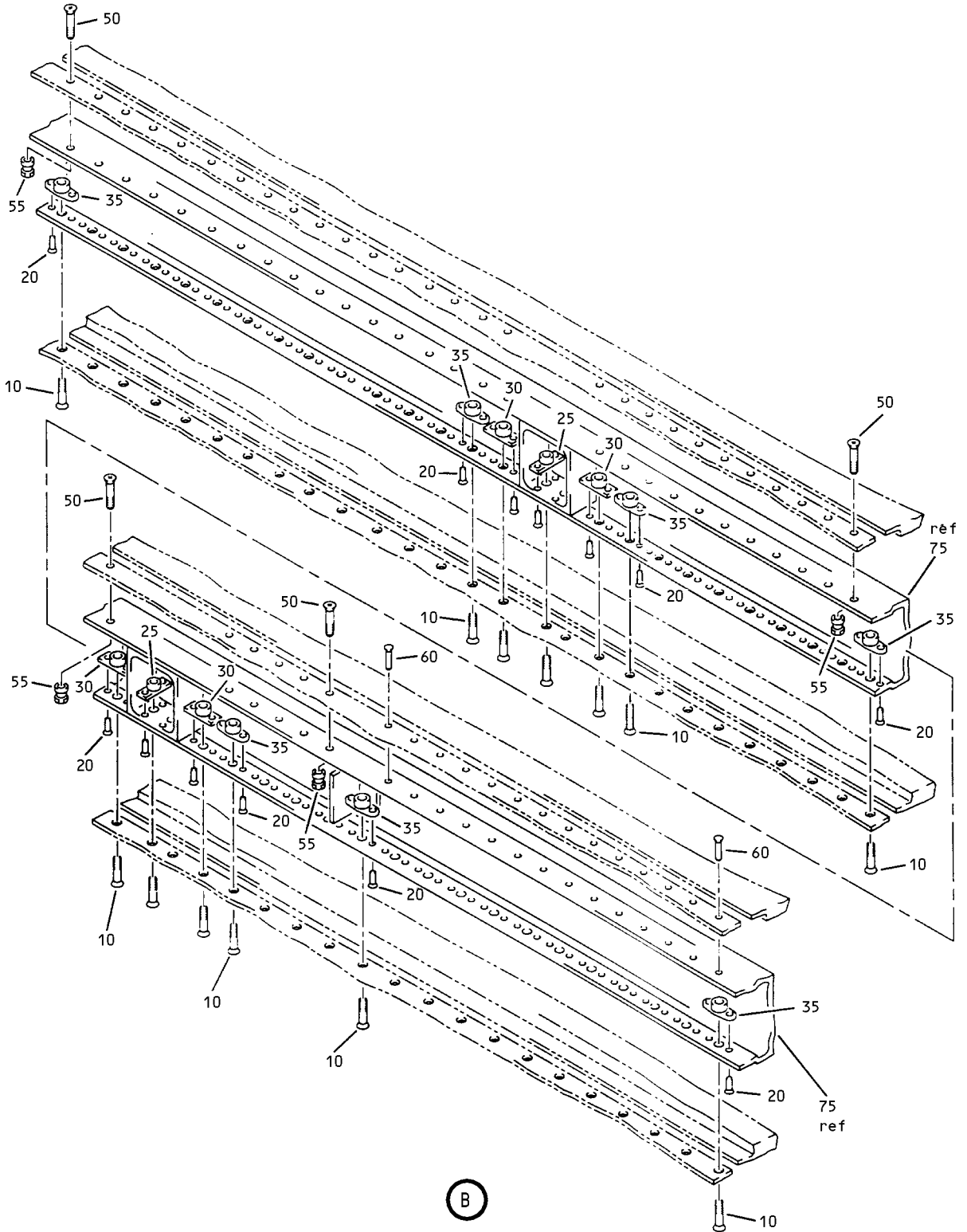
ILLUSTRATED PARTS LIST
01.1 Page 1070E
Nov 01/04



TE Wedge Installation
Figure 12 (Sheet 2)

57-53-51

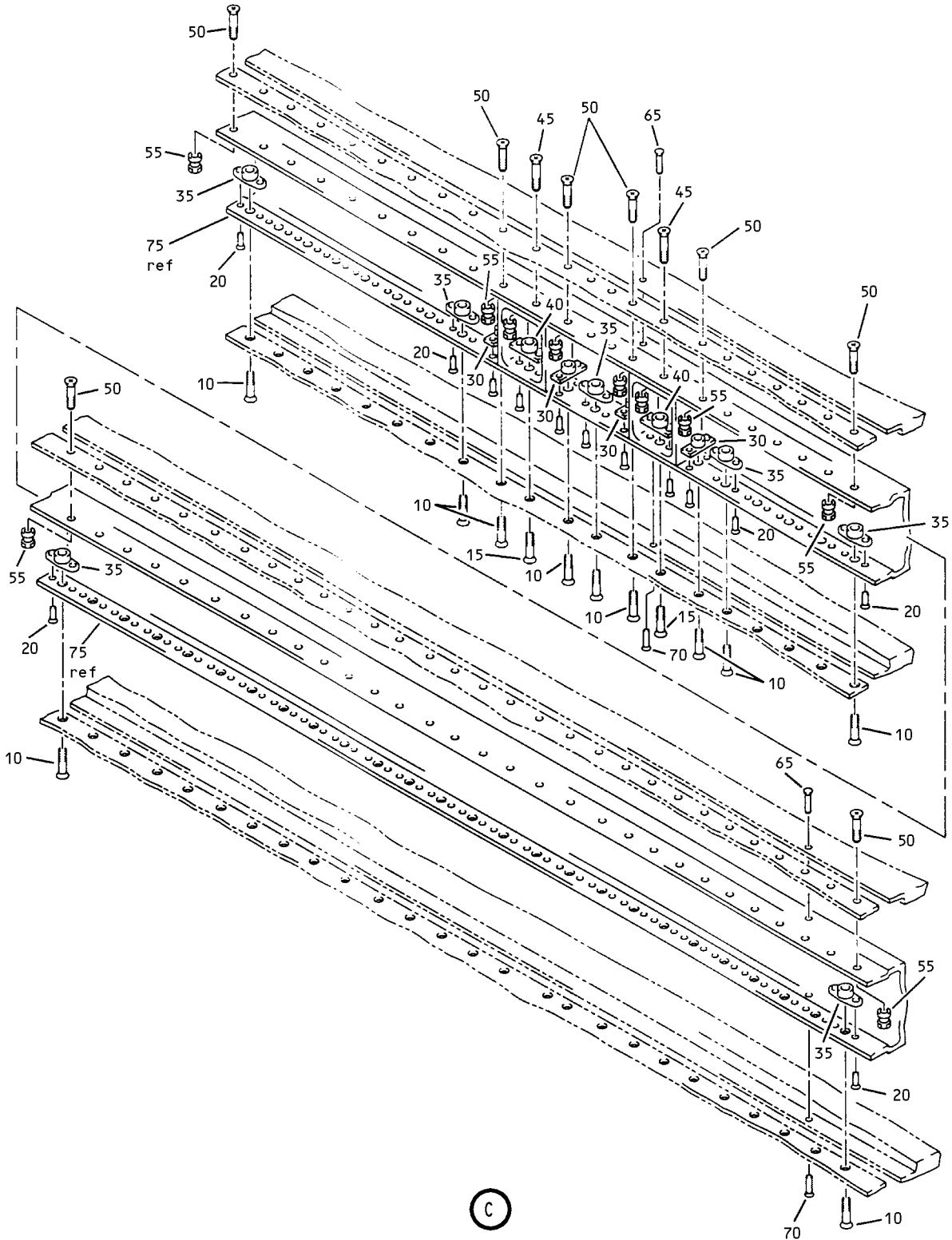
ILLUSTRATED PARTS LIST
01.1 Page 1070F
Nov 01/04



TE Wedge Installation
Figure 12 (Sheet 3)

57-53-51

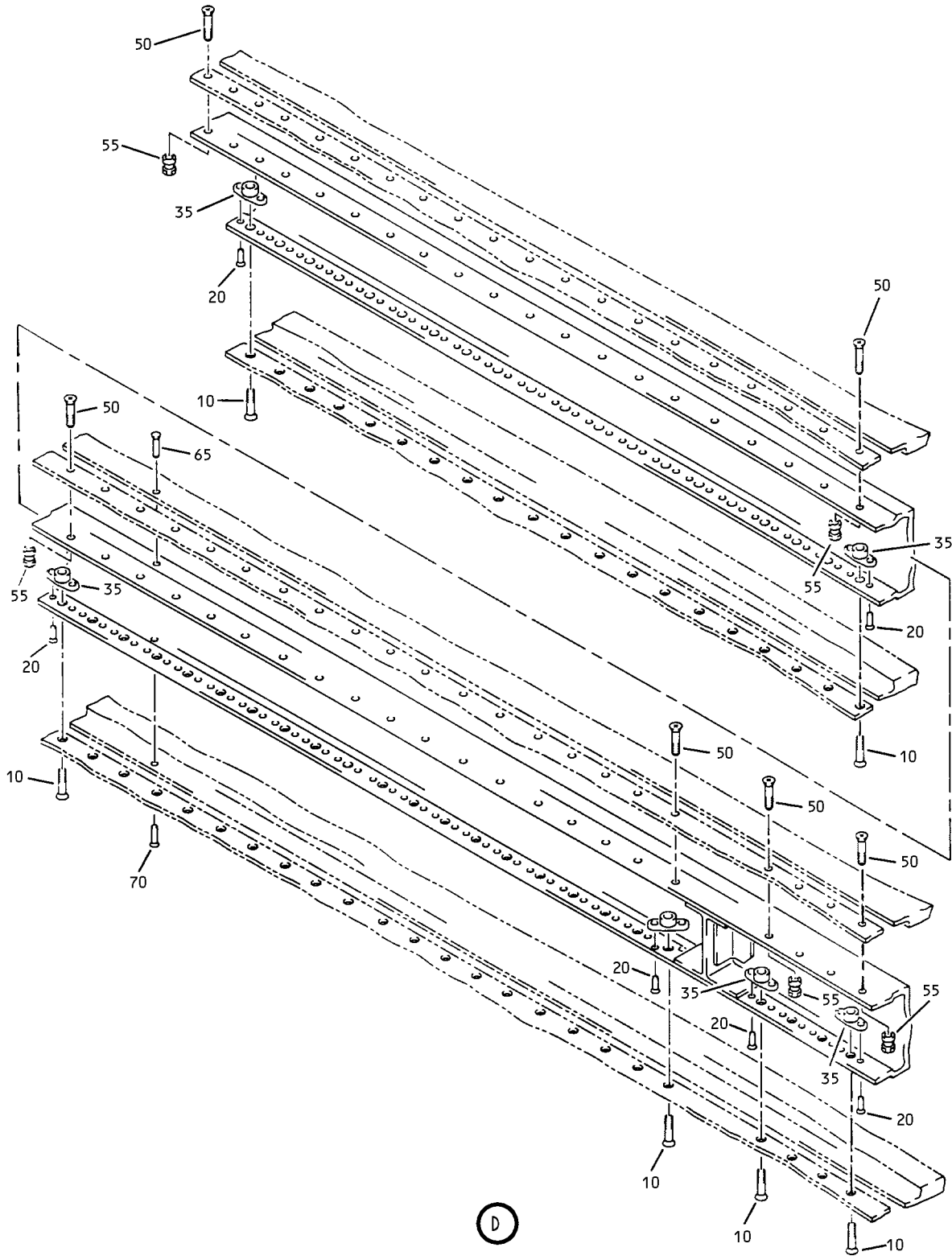
ILLUSTRATED PARTS LIST
01.1 Page 1070G
Nov 01/04



TE Wedge Installation
Figure 12 (Sheet 4)

57-53-51

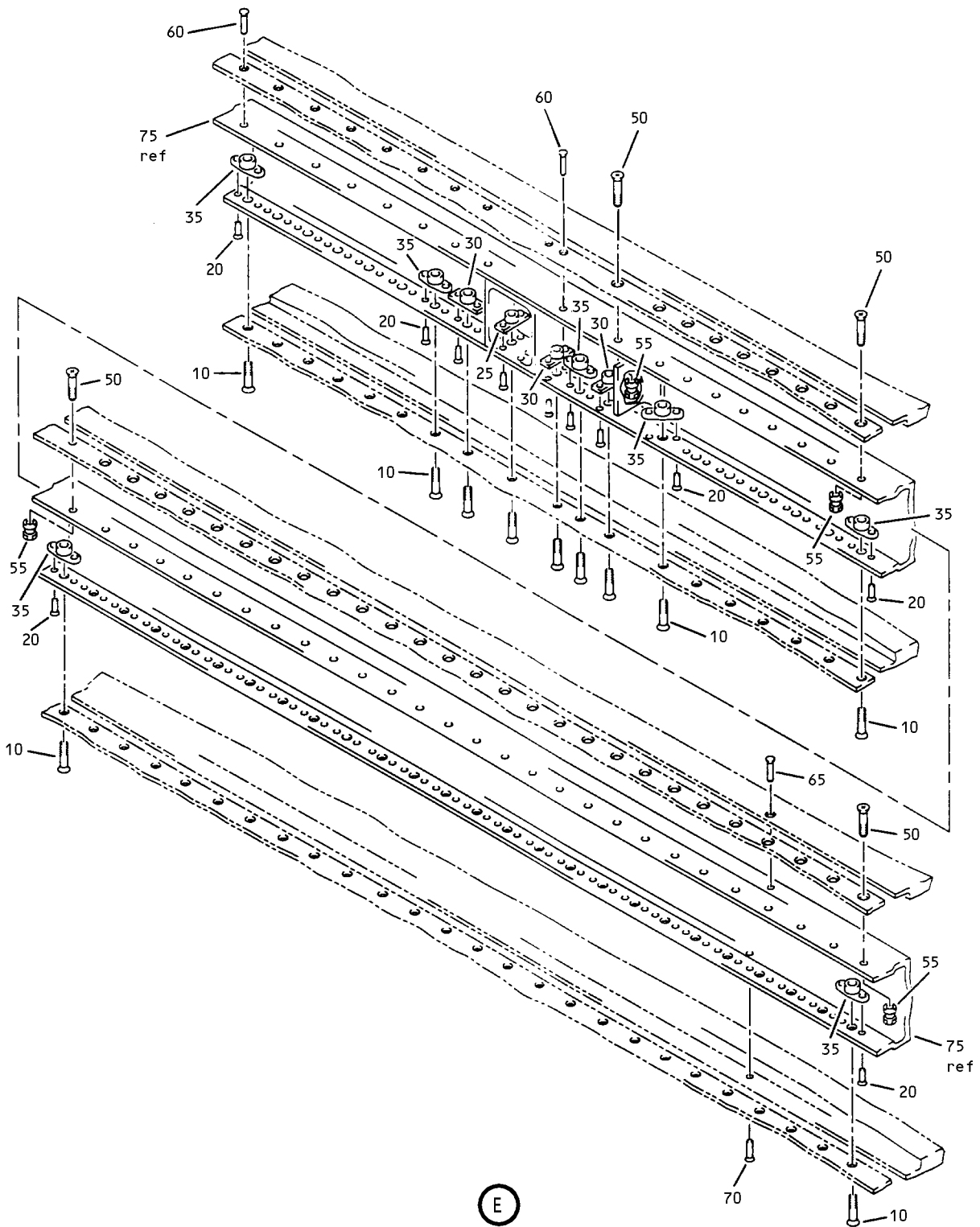
ILLUSTRATED PARTS LIST
01.1 Page 1070H
Nov 01/04



TE Wedge Installation
Figure 12 (Sheet 5)

57-53-51

ILLUSTRATED PARTS LIST
01.1 Page 1070I
Nov 01/04

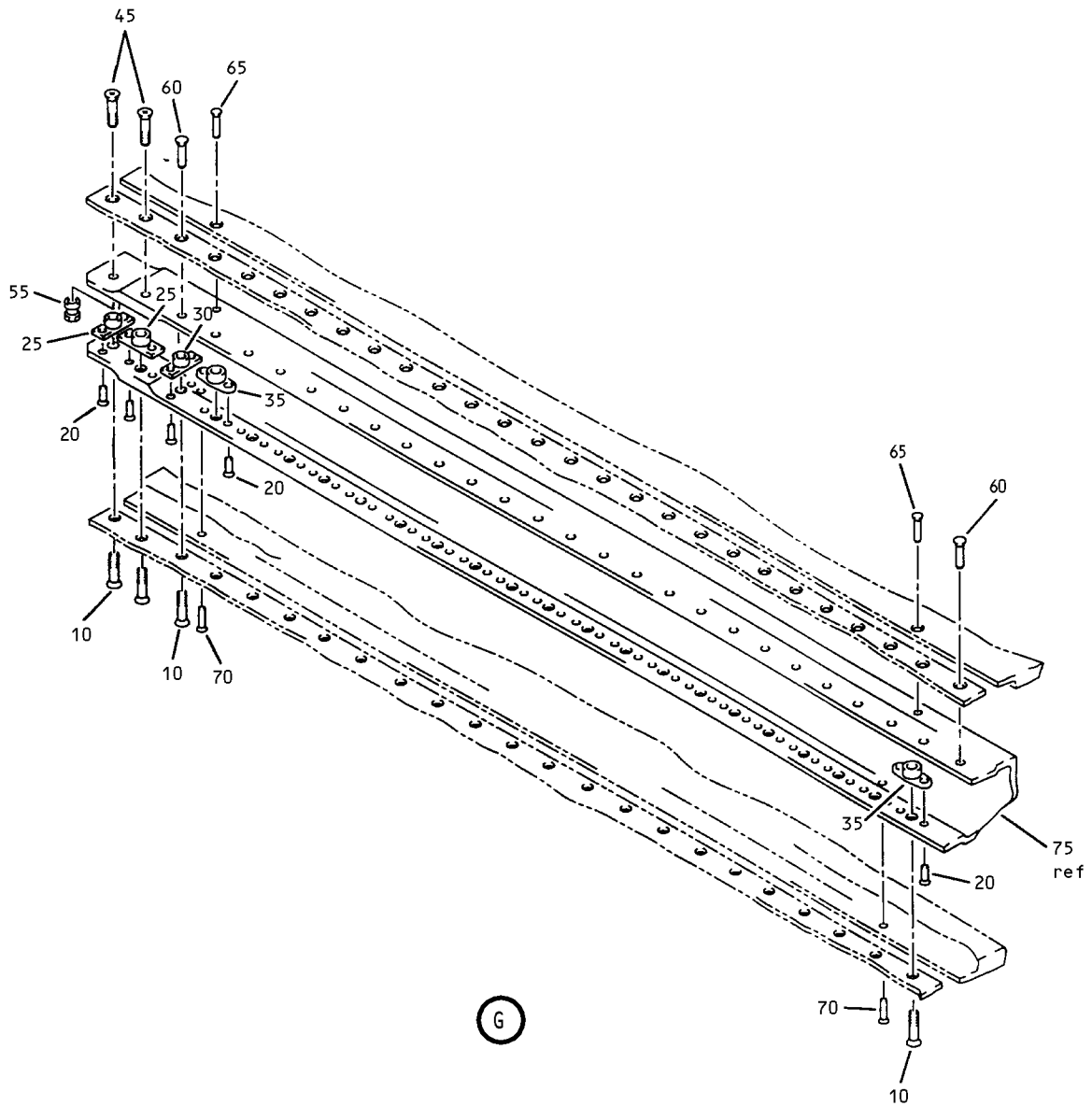


(E)

TE Wedge Installation
 Figure 12 (Sheet 6)

57-53-51

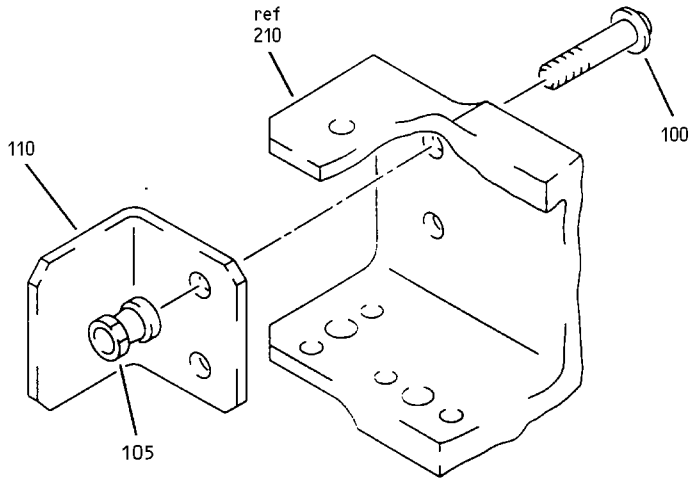
ILLUSTRATED PARTS LIST
 01.1 Page 1070J
 Nov 01/04



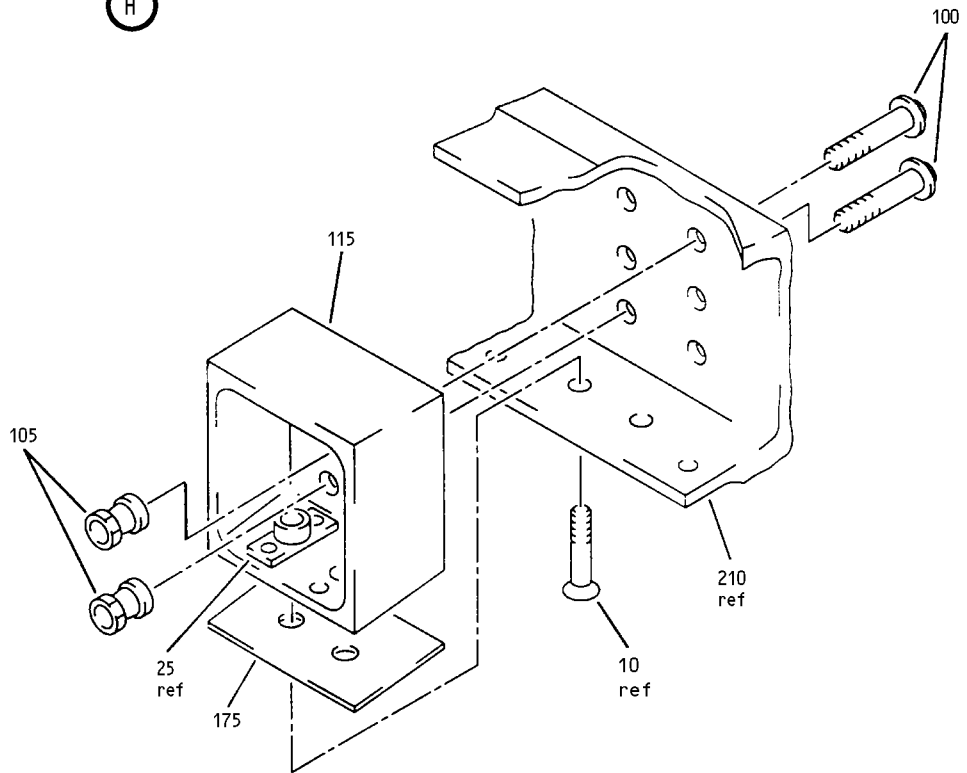
TE Wedge Installation
Figure 12 (Sheet 8)

57-53-51

ILLUSTRATED PARTS LIST
01.1 Page 1070L
Nov 01/04



H

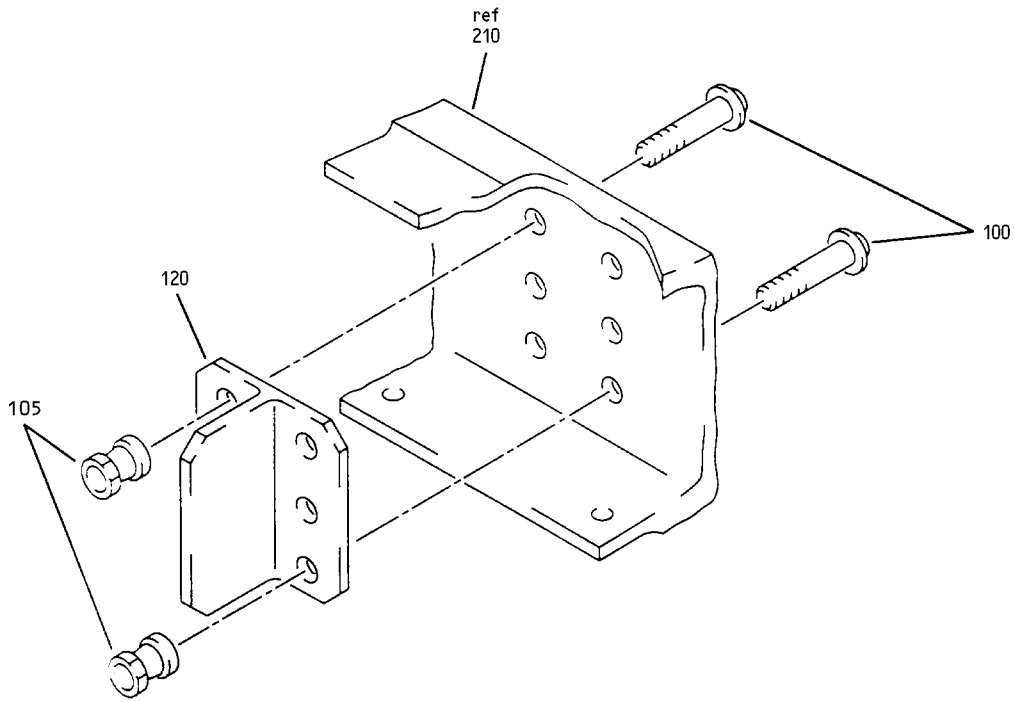


J

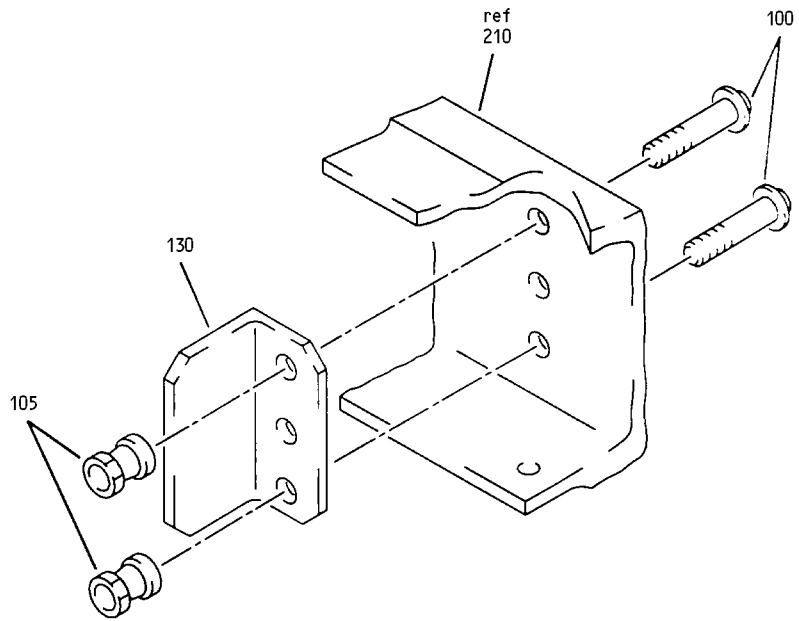
TE Wedge Installation
Figure 12 (Sheet 9)

57-53-51

ILLUSTRATED PARTS LIST
01.1 Page 1070M
Nov 01/04



(K)

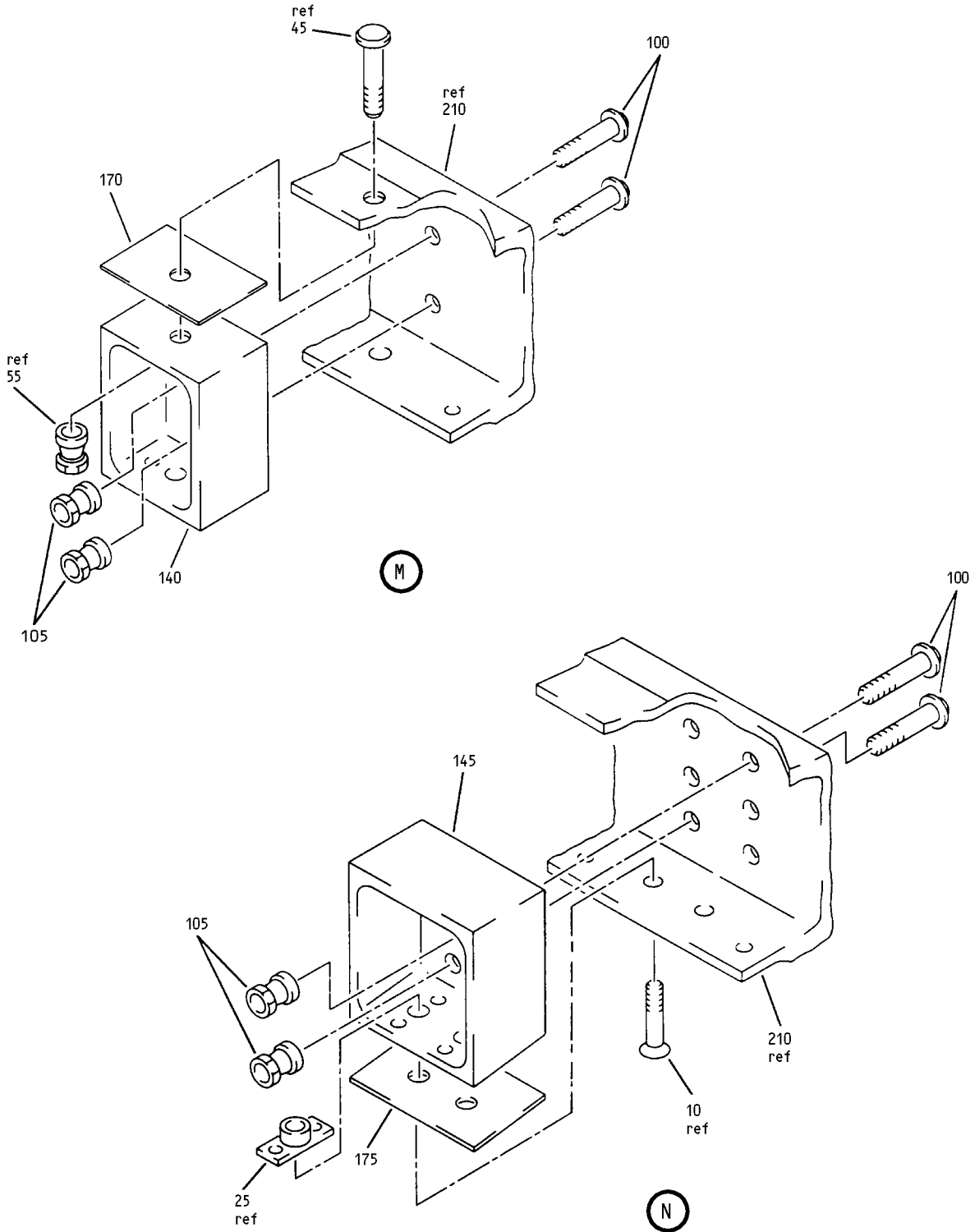


(L)

TE Wedge Installation
Figure 12 (Sheet 10)

57-53-51

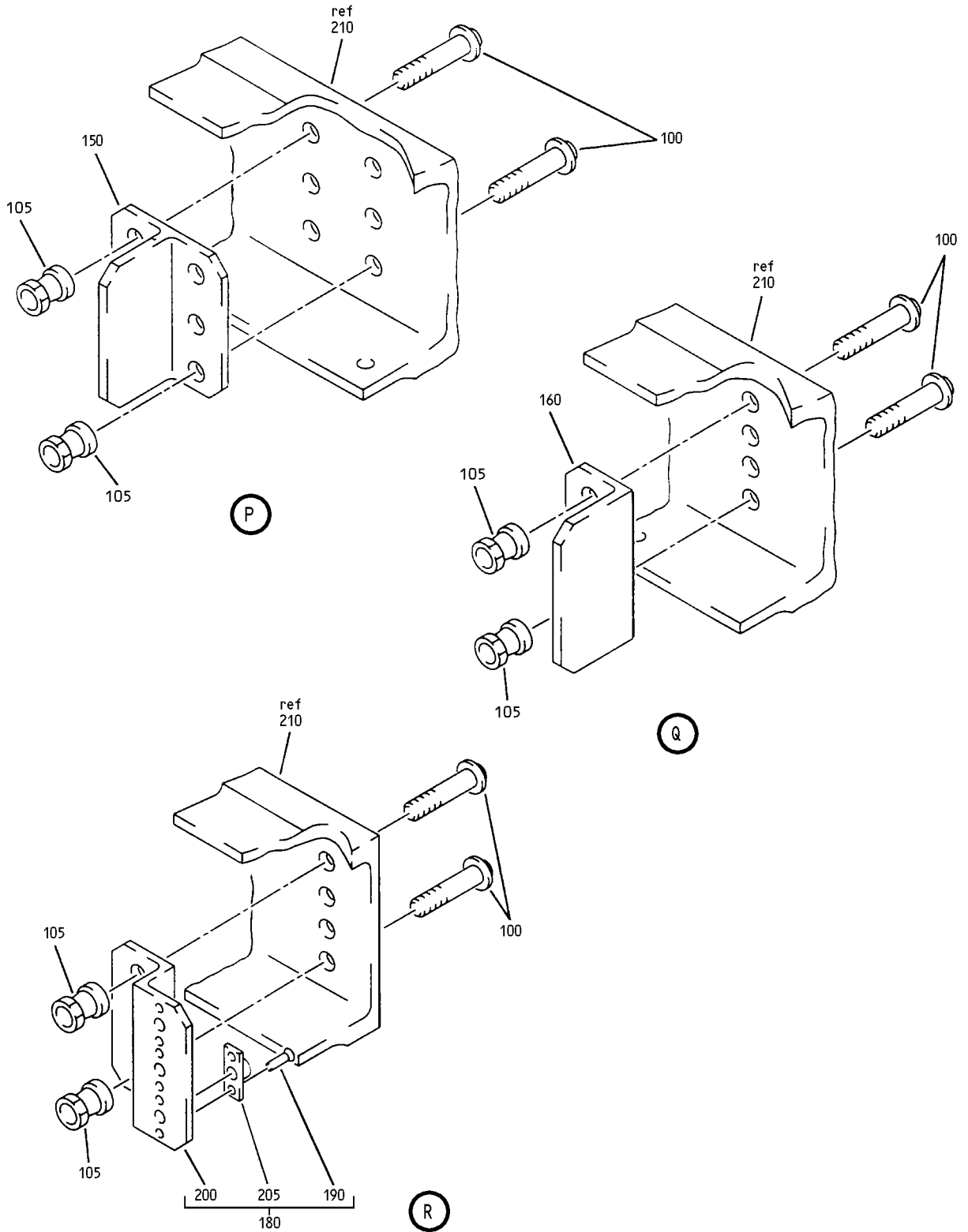
ILLUSTRATED PARTS LIST
01.1 Page 1070N
Nov 01/04



TE Wedge Installation
Figure 12 (Sheet 11)

57-53-51

ILLUSTRATED PARTS LIST
01.1 Page 10700
Nov 01/04



TE Wedge Installation
 Figure 12 (Sheet 12)

57-53-51

ILLUSTRATED PARTS LIST
 01.1 Page 1070P
 Nov 01/04


BOEING
 COMPONENT
 MAINTENANCE MANUAL

FIG. & ITEM	PART NO.	AIRLINE PART NUMBER	NOMENCLATURE 1234567	EFF CODE	QTY PER ASSY
12-					
-1A	113T3160-401		WEDGE INSTL-TE	AK, BB	RF
-5	113T3160-402		WEDGE INSTL-TE	AM, BC	RF
10	BACB30NN3K8		.BOLT	AK, AM , BB, B C	298
15	BACB30NN4K11		.BOLT	AK, AM , BB, B C	2
20	BACR15BA3AD		.RIVET- (SIZE DETERMINE ON INST)	AK, AM , BB, B C	600
25	MF19058-3-3BAC		.NUTPLATE- (V15653) (SPEC BACN10YF33)	AK, AM , BB, B C	10
30	MF19058-3-5BAC		.NUTPLATE- (V15653) (SPEC BACN10YF35)	AK, AM , BB, B C	13
35	NS103191-02-5		.NUTPLATE- (V80539) (SPEC BACN10KE3B5) (OPT RMF9213-5-3 (V72962)) (OPT F51750-3-5 (V15653)) (OPT BRFR220A3-5 (V52828))	AK, AM , BB, B C	275
40	MF19058-4-5BAC		.NUTPLATE- (V15653) (SPEC BACN10YF45)	AK, AM , BB, B C	2
45	WC331K6-6		.BOLT- (V60516) (SPEC BACB30YP6K6)	AK, AM , BB, B C	4

57-53-51

 ILLUSTRATED PARTS LIST
 01.1 Page 1070Q
 Nov 01/04

FIG. & ITEM	PART NO.	AIRLINE PART NUMBER	NOMENCLATURE 1234567	EFF CODE	QTY PER ASSY
12-50	WC331K6-4		.BOLT- (V60516) (SPEC BACB30YP6K4)	AK,AM ,BB,B C	164
55	HST79CY6		.COLLAR- (V73197) (SPEC BACC30BL6) (OPT HST79-6 (V92215)) (OPT HST79CY6 (V56878)) (OPT HST79CY6 (V5M902))	AK,AM ,BB,B C	168
60	BACR15GF6D		.RIVET- (SIZE DETERMINE ON INST)	AK,AM ,BB,B C	158
65	NAS1399MW5-3		.RIVET	AK,AM ,BB,B C	9
70	NAS1399MW5-4		.RIVET	AK,AM ,BB,B C	9
75	113T3160-403		.BOND ASSY-WEDGE	AK,BB	1
-80	113T3160-404		.BOND ASSY-WEDGE	AM,BC	1
85	NAS1836A4N13		..INSERT	AK,AM ,BB,B C	15
90	113T3161-401		..SPAR ASSY	AK,BB	1
-95	113T3161-402		..SPAR ASSY	AM,BC	1
100	HST10AG6-3		...BOLT- (VOPTK6) (SPEC BACB30VT6K3) (OPT HST10AG6-3 (V06725)) (OPT HST10AG6-3 (V56878)) (OPT HST10AG6-3 (V73197))	AK,AM ,BB,B C	53

57-53-51

 ILLUSTRATED PARTS LIST
 01.1 Page 1070R
 Nov 01/04


BOEING
 COMPONENT
 MAINTENANCE MANUAL

FIG. & ITEM	PART NO.	AIRLINE PART NUMBER	NOMENCLATURE 1234567	EFF CODE	QTY PER ASSY
12-105	HST79CY6		...COLLAR- (V73197) (SPEC BACC30BL6) (OPT HST79-6 (V92215)) (OPT HST79CY6 (V56878)) (OPT HST79CY6 (V5M902))	AK,AM ,BB,B C	53
110	113T3161-5		...CLIP	AK,AM ,BB,B C	1
115	113T3107-15		...SUPPORT-FAIRING	AK,AM ,BB,B C	2
120	113T3161-7		...CLIP	AK,BB	1
-125	113T3161-8		...CLIP	AM,BC	1
130	113T3161-9		...CLIP	AK,BB	1
-135	113T3161-10		...CLIP	AM,BC	1
140	113T3162-401		...FITTING	AK,AM ,BB,B C	2
145	113T3107-13		...SUPPORT-FAIRING	AK,AM ,BB,B C	2
150	113T3161-11		...CLIP	AK,BB	1
-155	113T3161-12		...CLIP	AM,BC	1
160	113T3161-13		...CLIP	AK,BB	1
-165	113T3161-14		...CLIP	AM,BC	1
170	BACS40R014B018F		...SHIM	AK,AM ,BB,B C	2
175	BACS40R015B024F		...SHIM	AK,AM ,BB,B C	4
180	113T3161-405		...CLIP ASSY	AK,BB	1
-185	113T3161-406		...CLIP ASSY	AM,BC	1
190	BACR15BA3AD		...RIVET- (SIZE DETERMINE ON INST)	AK,AM ,BB,B C	6
195	MF19058-3-2BAC		...NUTPLATE- (V15653) (SPEC BACN10YF32)	AK,AM ,BB,B C	3

57-53-51

 ILLUSTRATED PARTS LIST
 01.1 Page 1070S
 Nov 01/04

FIG. & ITEM	PART NO.	AIRLINE PART NUMBER	NOMENCLATURE	EFF CODE	QTY PER ASSY
			1234567		
12-200	113T3161-407	CLIP	AK,BB	1
-205	113T3161-408	CLIP	AM,BC	1
210	113T3161-403		...SPAR	AK,BB	1
-215	113T3161-404		...SPAR	AM,BC	1

- Item Not Illustrated

57-53-51

ILLUSTRATED PARTS LIST
 01.1 Page 1070T
 Nov 01/04